



US00D758560S

(12) **United States Design Patent**
Gajewski

(10) **Patent No.:** **US D758,560 S**
(45) **Date of Patent:** **** Jun. 7, 2016**

- (54) **CEILING FAN WITH LIGHT FIXTURE**
- (71) Applicant: **Minka Lighting, Inc.**, Corona, CA (US)
- (72) Inventor: **Mark Gajewski**, Avila Beach, CA (US)
- (73) Assignee: **MINKA LIGHTING, INC.**, Corona, CA (US)

5,440,459	A *	8/1995	Chan	F21V 33/0096
				362/294
D377,975	S *	2/1997	Young	D23/377
D430,280	S *	8/2000	Huang	D23/377
D453,563	S *	2/2002	Bogazzi	D23/377
D476,728	S *	7/2003	Gajewski	D23/377
D477,068	S *	7/2003	Hsieh	D23/377
D508,126	S *	8/2005	Curtin	D23/411
2008/0069698	A1 *	3/2008	Laisathit	F04D 25/088
				416/210 R

- (**) Term: **14 Years**
- (21) Appl. No.: **29/503,770**
- (22) Filed: **Sep. 29, 2014**

* cited by examiner

Primary Examiner — Sandra Snapp
(74) *Attorney, Agent, or Firm* — Baker & McKenzie LLP

(57) **CLAIM**

The ornamental design for a ceiling fan with light fixture, as shown and described.

Related U.S. Application Data

- (63) Continuation-in-part of application No. 29/463,625, filed on Jan. 16, 2014, now abandoned.
- (51) **LOC (10) Cl.** **23-04**
- (52) **U.S. Cl.**
USPC **D23/385**
- (58) **Field of Classification Search**
USPC D23/370–385, 411–414, 59;
392/360–364; 416/5, 170 R, 93 R,
416/210 R, 223 R, 207
CPC F04D 29/34; F04D 29/38; F04D 25/088
See application file for complete search history.

DESCRIPTION

FIG. 1 is a perspective view of a ceiling fan with light fixture in accordance with my design;
 FIG. 2 is a top plan view of the ceiling fan with light fixture in accordance with my design wherein the mount is removed for ease of illustration;
 FIG. 3 is a bottom plan view of the ceiling fan with light fixture in accordance with my design;
 FIG. 4 is a side elevation view of the ceiling fan with light fixture in accordance with my design, the opposite side being identical thereto; and,
 FIG. 5 is a front elevation view of the ceiling fan with light fixture in accordance with my design, the rear view being identical thereto.

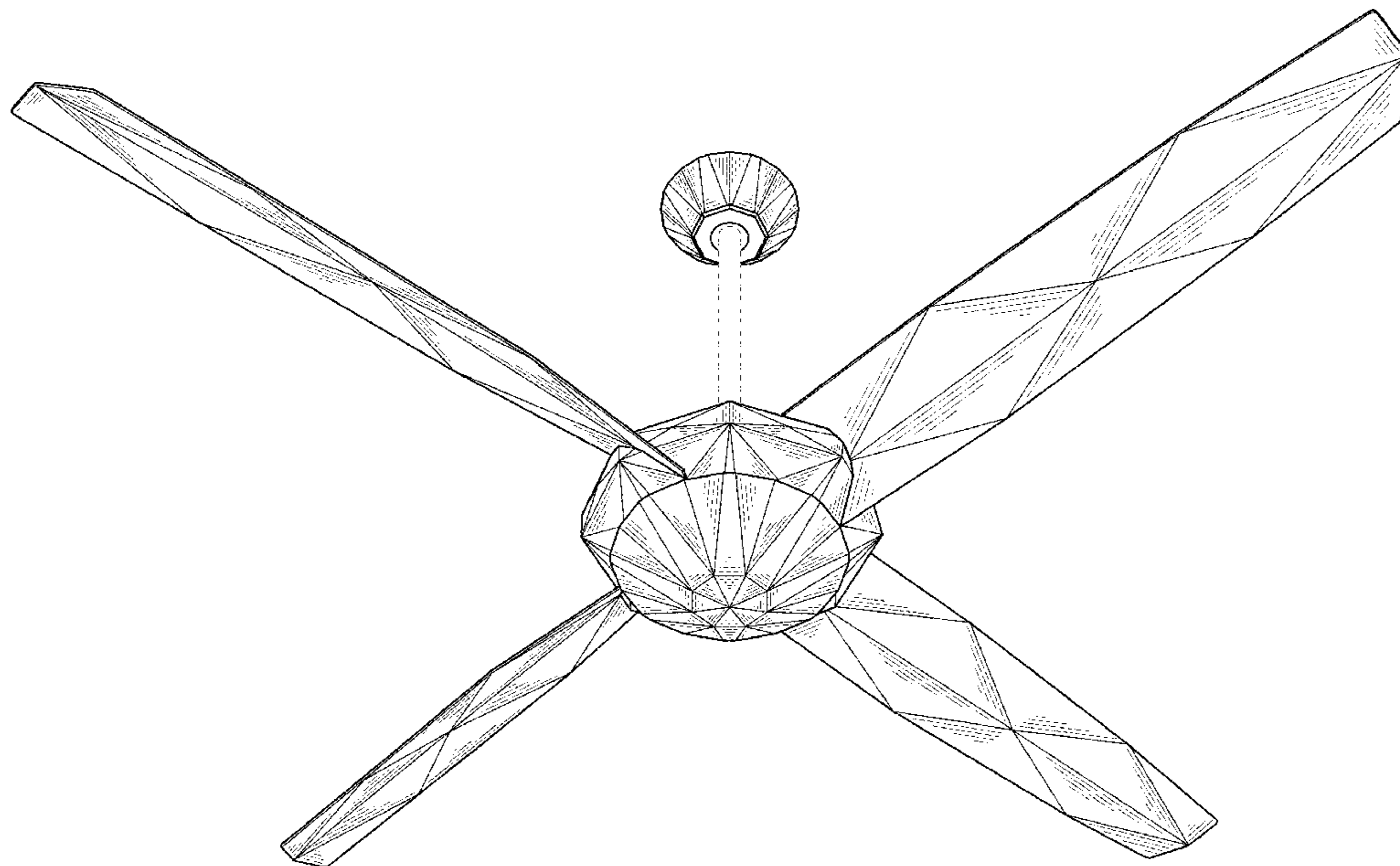
The broken-line disclosure of elements is understood to represent portions of the article in which the design is embodied, but which form no part of the claimed design.

(56) **References Cited**

U.S. PATENT DOCUMENTS

D304,229	S *	10/1989	Rezek	D23/377
D346,438	S *	4/1994	Caldwell	D23/377
D346,439	S *	4/1994	Liu	D23/377
D346,858	S *	5/1994	Lee	D23/377
D352,997	S *	11/1994	DiPasquale	D23/377

1 Claim, 4 Drawing Sheets



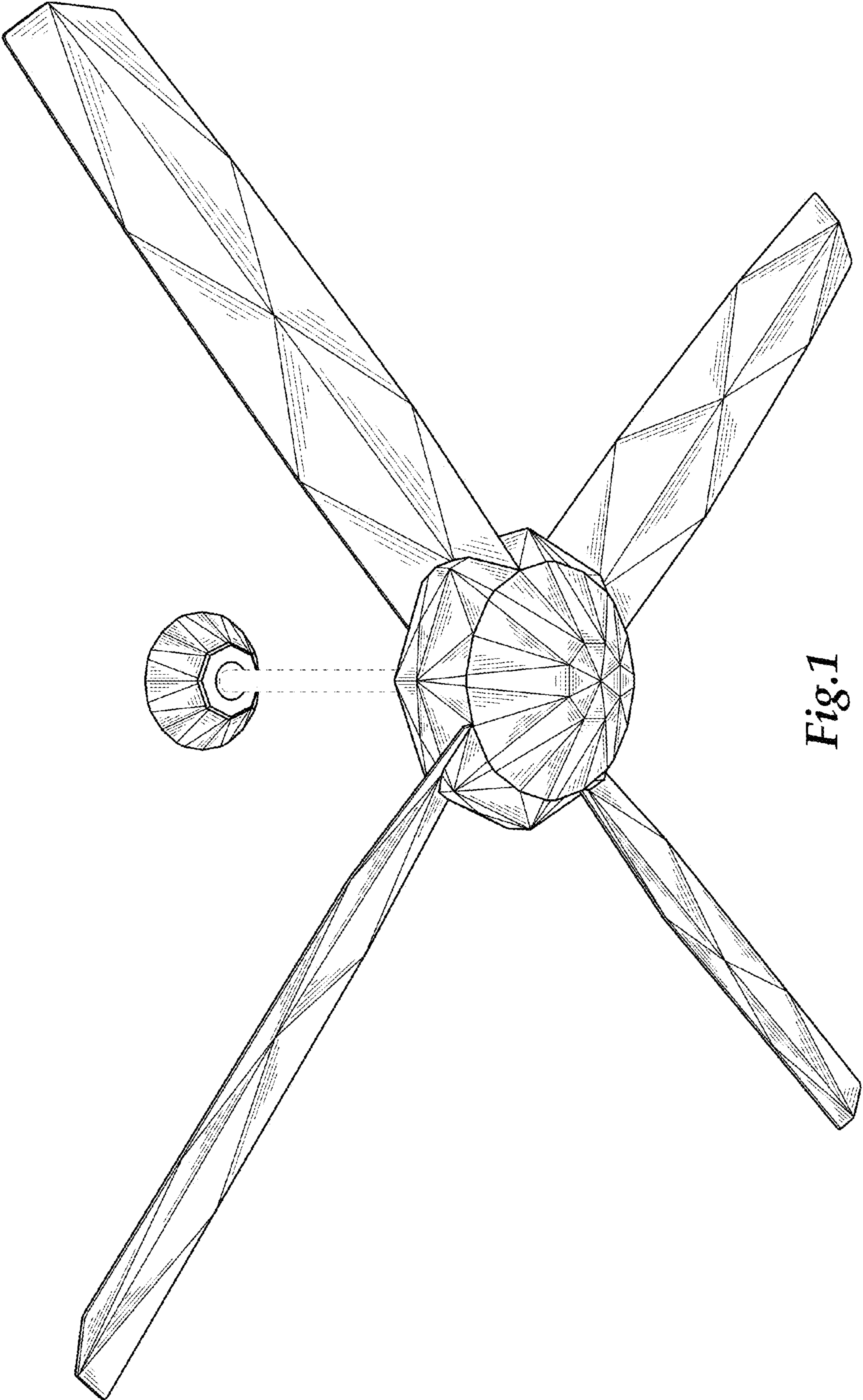


Fig. 1

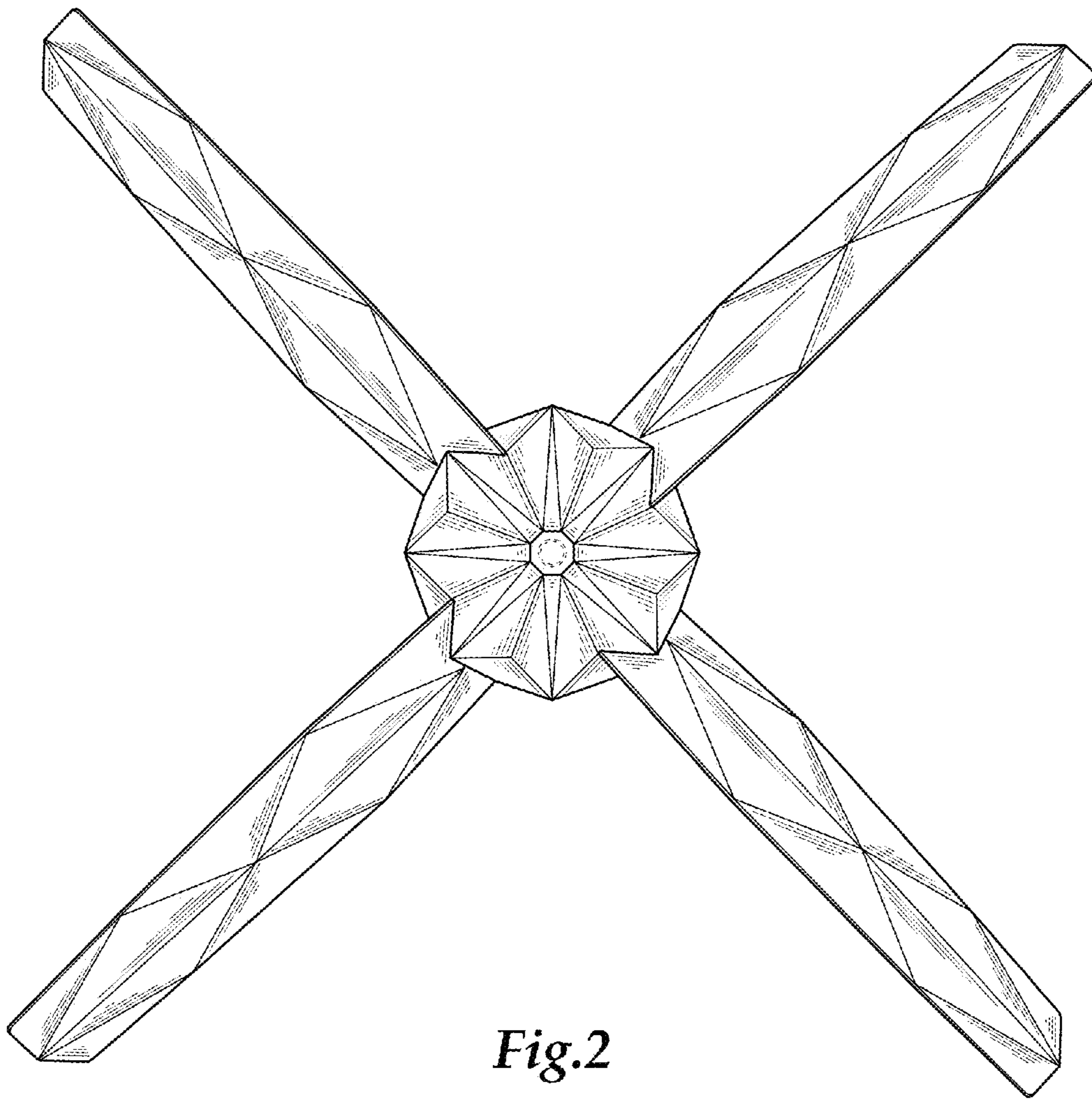


Fig. 2

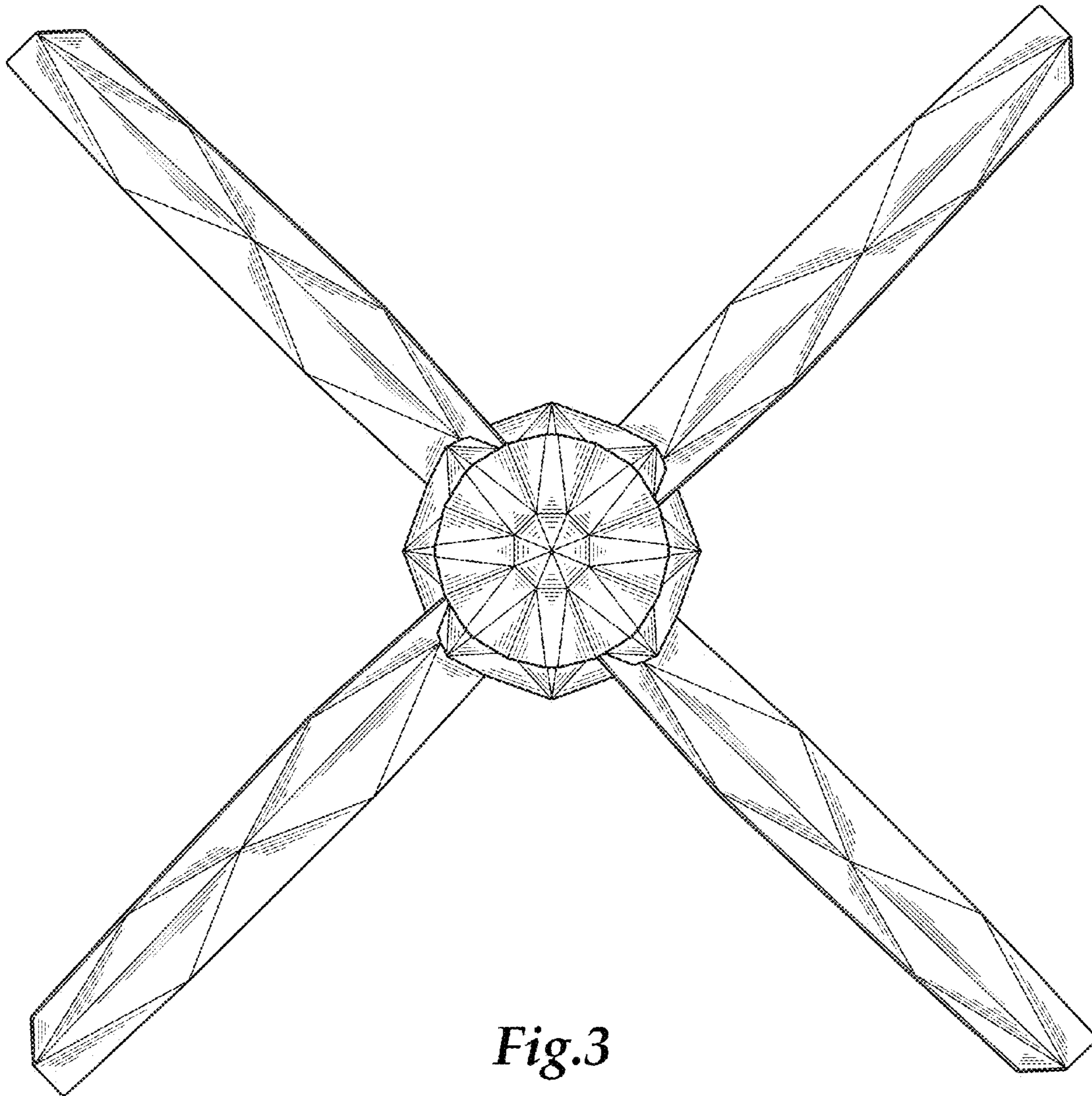


Fig.3

