



US00D758559S

(12) **United States Design Patent**
Sinur

(10) **Patent No.:** **US D758,559 S**
(45) **Date of Patent:** **** Jun. 7, 2016**

- (54) **RANGE HOOD**
- (71) Applicant: **Broan-NuTone LLC**, Hartford, WI (US)
- (72) Inventor: **Richard R. Sinur**, West Bend, WI (US)
- (73) Assignee: **Broan-NuTone LLC**, Hartford, WI (US)
- (**) Term: **15 Years**
- (21) Appl. No.: **29/530,705**
- (22) Filed: **Jun. 18, 2015**

Related U.S. Application Data

- (62) Division of application No. 29/458,589, filed on Jun. 20, 2013, now Pat. No. Des. 743,520.
- (51) **LOC (10) Cl.** **23-04**
- (52) **U.S. Cl.**
USPC **D23/372**
- (58) **Field of Classification Search**
USPC D23/370-385, 411-414, 365; 415/60,
415/66, 68, 208.1, 213.1, 214.1; 310/257;
361/695; 126/299 D, 299 R
CPC F24C 15/20
See application file for complete search history.

(56) **References Cited**

U.S. PATENT DOCUMENTS

2,487,607 A	11/1949	Sonntag
D179,237 S	11/1956	Bernstein
2,807,994 A	10/1957	Bernstein
2,886,124 A	5/1959	Scharmer
2,993,428 A	7/1961	Wermager
3,075,335 A	1/1963	Bandlow et al.
3,098,423 A	7/1963	Giannini
3,125,869 A	3/1964	Winton

3,194,146 A	7/1965	Jenson
3,585,920 A	6/1971	Johnson
3,690,245 A	9/1972	Ferlise et al.
4,120,290 A	10/1978	Bowen, Jr. et al.
4,259,944 A	4/1981	Kalthoff
D274,934 S	7/1984	Johnson
4,898,149 A	2/1990	Cohn
D312,685 S	12/1990	Fleming et al.
D315,204 S	3/1991	Fleming et al.
5,027,790 A	7/1991	Chern

(Continued)

OTHER PUBLICATIONS

“U.S. Appl. No. 29/458,589, Notice of Allowance mailed Jul. 9, 2015”, 11 pgs.

(Continued)

Primary Examiner — Susan Bennett Hattan

Assistant Examiner — Janice Hallmark

(74) *Attorney, Agent, or Firm* — Schwegman Lundberg & Woessner, P.A.

(57)

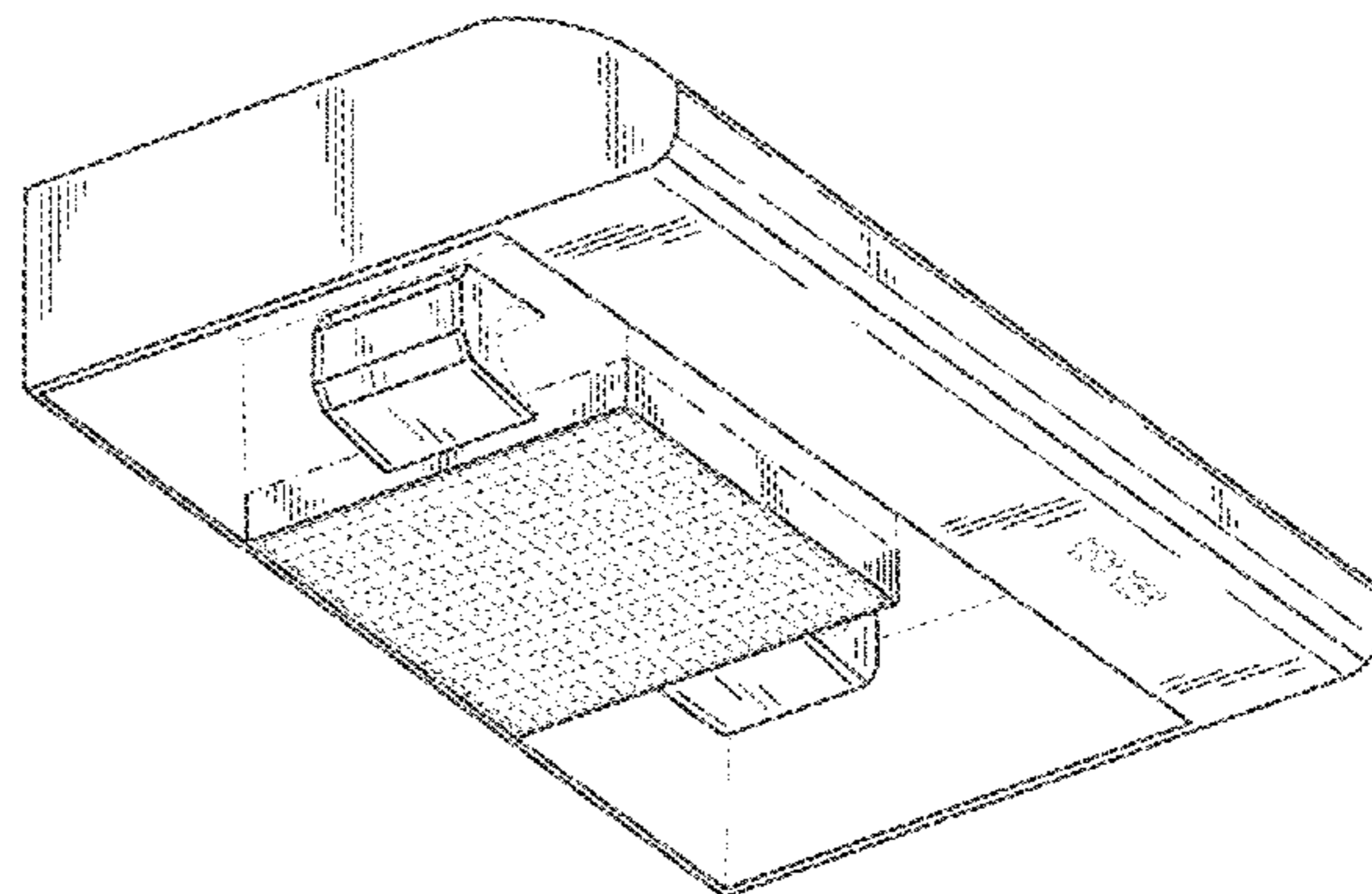
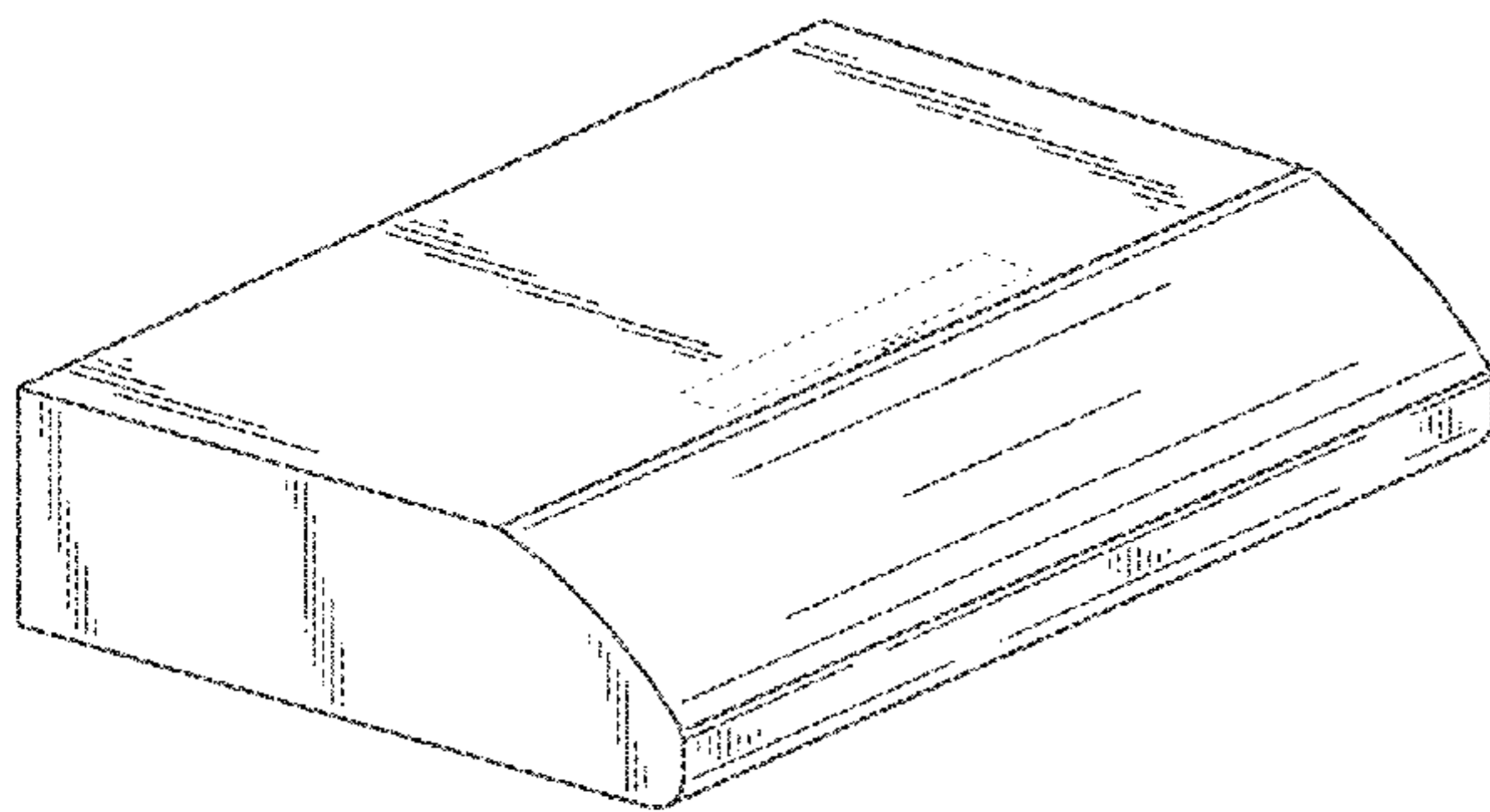
CLAIM

We claim the ornamental design for an range hood, as shown and described.

DESCRIPTION

FIG. 1 is a top perspective view of a range hood;
FIG. 2 is a bottom perspective view of a range hood of FIG. 1;
FIG. 3 is a top view of a range hood of FIG. 1;
FIG. 4 is a front view of a range hood of FIG. 1;
FIG. 5 is a side view of a range hood of FIG. 1;
FIG. 6 is a rear view of a range hood of FIG. 1; and,
FIG. 7 is a bottom view of a range hood of FIG. 1.
The features shown in broken lines depict environmental subject matter only and form no part of the claimed design.

1 Claim, 6 Drawing Sheets



(56)

References Cited

U.S. PATENT DOCUMENTS

D325,966 S 5/1992 Wei
 D327,541 S 6/1992 Chen
 5,230,327 A 7/1993 Jang et al.
 5,305,734 A 4/1994 Jang
 5,363,837 A 11/1994 Jang
 5,377,665 A 1/1995 Jang
 D361,376 S 8/1995 Isabelle et al.
 5,448,987 A 9/1995 Jang
 D367,319 S 2/1996 Isabelle et al.
 D375,351 S 11/1996 Conforti
 D380,823 S 7/1997 LaZar
 5,678,532 A 10/1997 Wu
 D392,380 S 3/1998 Schrank et al.
 D395,495 S 6/1998 Wu
 D433,495 S 11/2000 Segers
 D436,658 S 1/2001 Goulet
 6,216,686 B1 4/2001 Chiu
 D450,829 S 11/2001 Bothe et al.
 D451,587 S 12/2001 Goulet
 6,401,709 B1 6/2002 Okamoto et al.
 6,427,679 B1 8/2002 Chen
 D473,297 S 4/2003 Bothe et al.
 D482,769 S 11/2003 Bothe et al.
 6,802,310 B1 10/2004 Yeung
 D521,622 S 5/2006 Bothe et al.
 D532,507 S 11/2006 Vetter
 D535,150 S 1/2007 Tse
 D535,381 S 1/2007 Chiang
 D557,786 S 12/2007 Tse
 D558,322 S 12/2007 Lebeuf et al.
 D566,822 S 4/2008 Blanchette et al.
 D567,929 S 4/2008 Tse
 D571,446 S 6/2008 Martin et al.
 D594,956 S 6/2009 Blanchette et al.
 D611,590 S 3/2010 Grey
 D611,591 S 3/2010 Grey
 D635,235 S 3/2011 Hoshino et al.
 D659,232 S 5/2012 Funnell, II
 D676,542 S 2/2013 Sinur et al.
 D677,775 S 3/2013 Funnell, II
 D694,385 S 11/2013 Funnell, II

D694,393 S 11/2013 Funnell, II
 D695,387 S 12/2013 Murphey et al.
 D699,831 S 2/2014 Funnell, II
 D709,606 S 7/2014 Sinur et al.
 D730,508 S * 5/2015 Funnell, II D23/372
 D730,509 S * 5/2015 Funnell, II D23/372
 D733,863 S * 7/2015 Funnell, II D23/372
 D733,864 S * 7/2015 Funnell, II D23/372
 D737,948 S * 9/2015 Breneman D23/372
 D743,520 S 11/2015 Sinur et al.
 D745,131 S 12/2015 Sinur
 2007/0256681 A1 11/2007 Chiang et al.
 2008/0190411 A1 8/2008 Chiang et al.
 2010/0051011 A1 * 3/2010 Shaffer F24C 15/20
 126/299 D
 2011/0036340 A1 2/2011 Chu
 2013/0087133 A1 4/2013 Davis et al.

OTHER PUBLICATIONS

“U.S. Appl. No. 29/493,756, Notice of Allowance mailed Aug. 20, 2015”, 8 pgs.
 “U.S. Appl. No. 29/458,589, Response filed Apr. 27, 2015 to Restriction Requirement mailed Apr. 9, 2015”, 4 pgs.
 “U.S. Appl. No. 29/458,589, Restriction Requirement mailed Apr. 9, 2015”, 7 pgs.
 “U.S. Appl. No. 29/458,592, Non Final Office Action mailed Sep. 27, 2013”, 7 pgs.
 “U.S. Appl. No. 29/458,592, Notice of Allowance mailed Mar. 4, 2014”, 6 pgs.
 “U.S. Appl. No. 29/458,592, Response filed Dec. 27, 2013 to Non Final Office Action mailed Sep. 27, 2013”, 8 pgs.
 “Maytag 30 in. Non-Vented Range Hood in Stainless Steel”, Model # UXT4030AYS, Home Depot, [online] [retrieved on Sep. 23, 2013]. Retrieved from the Internet: <http://www.homedepot.com/p/Maytag-30-in-Non-Vented-Range-Hood-in-Stainless-Steel-UXT4030AYS/202832999#customer_reviews>, (Jul. 9, 2011), 5 pgs.
 “Whirlpool 30" and 36" Range Hood Models UXT3030AY/UXT3036AY”, Installation Instructions and Use & Care Guide, [online] Retrieved from the Internet: <http://www.whirlpool.ca/digitalassets/UXT3030AYB/Use%20and%20Care_EN.pdf>, (2011), 28 pgs.

* cited by examiner

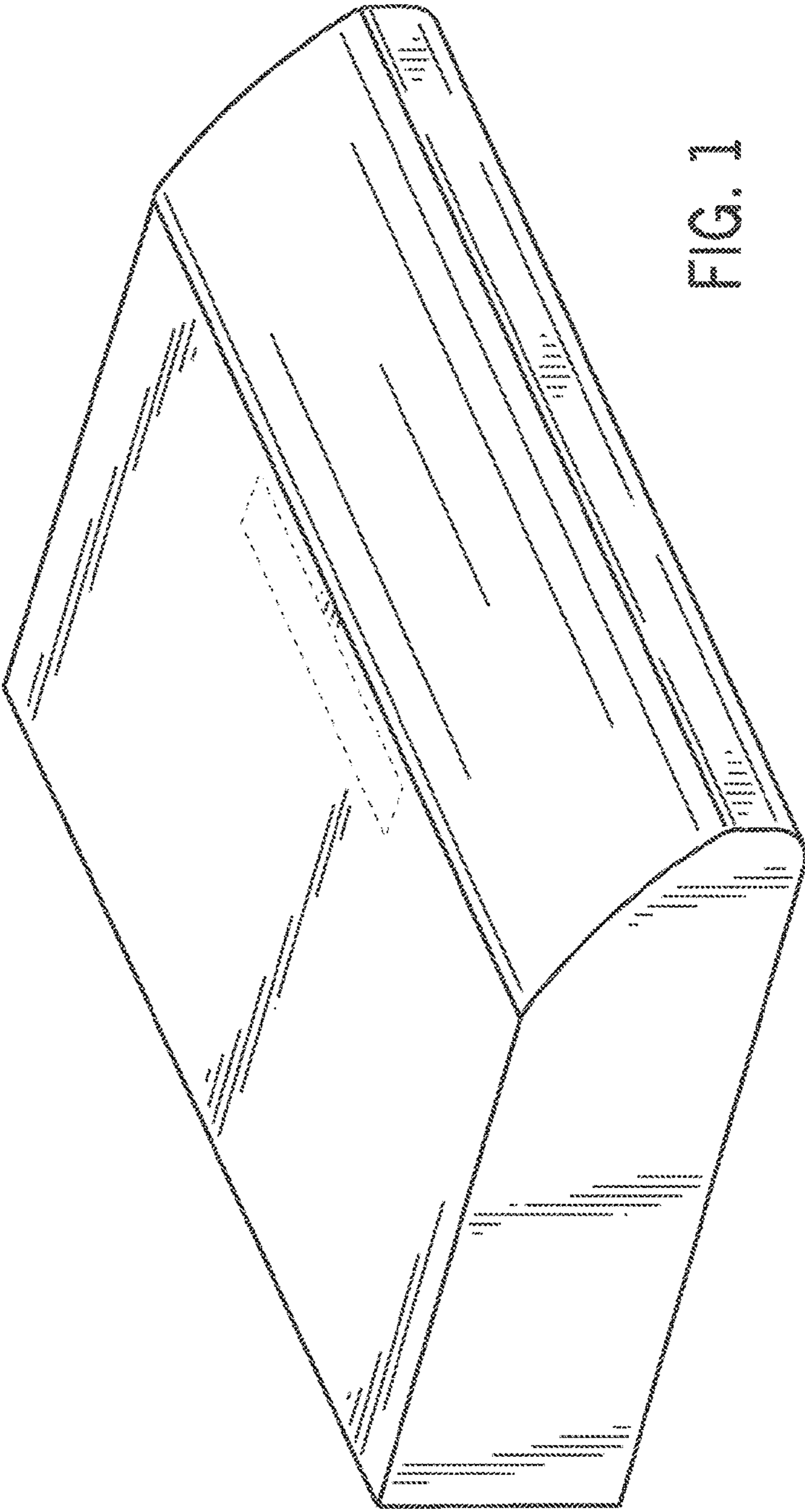


FIG. 1

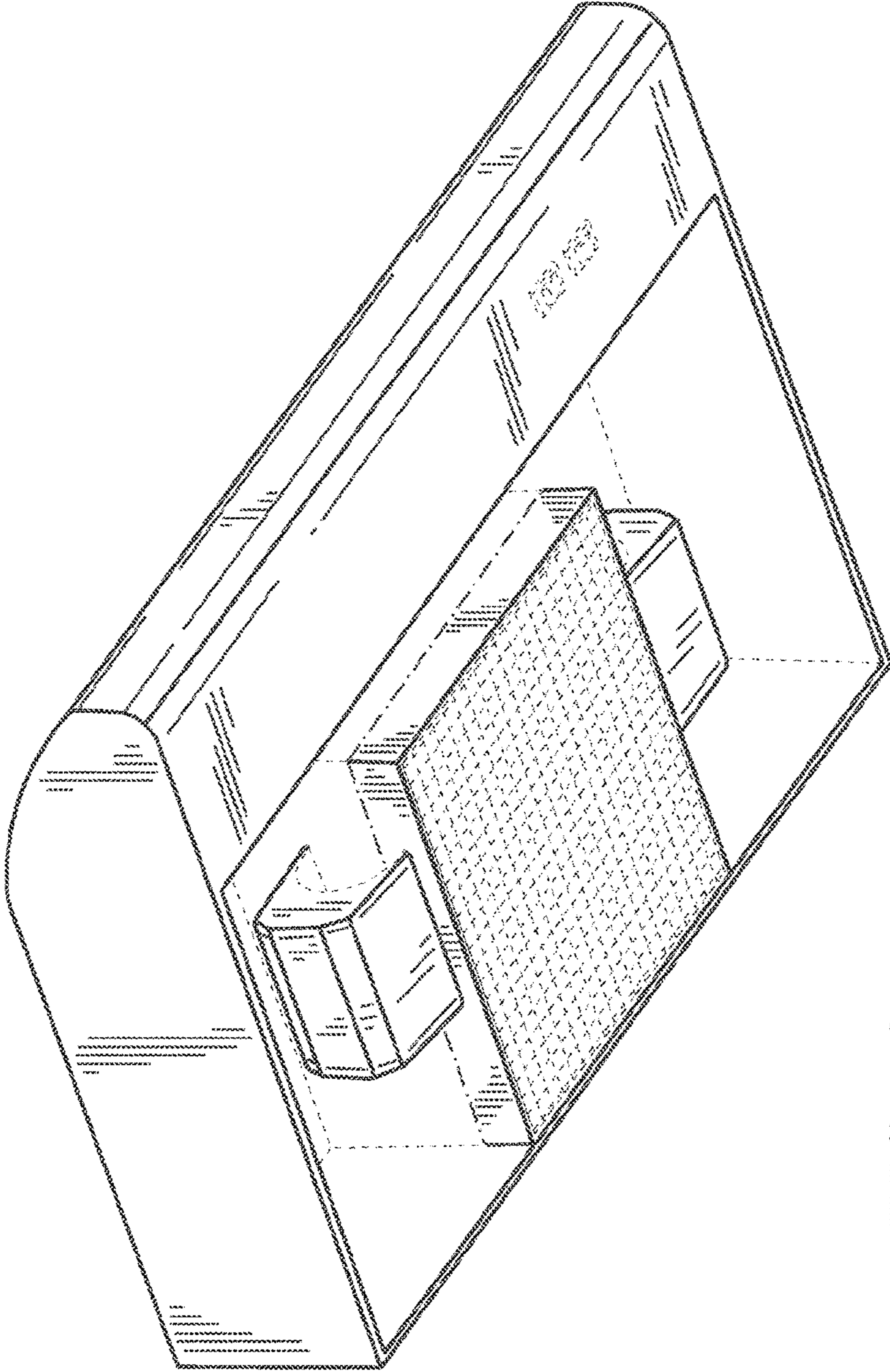


FIG. 2

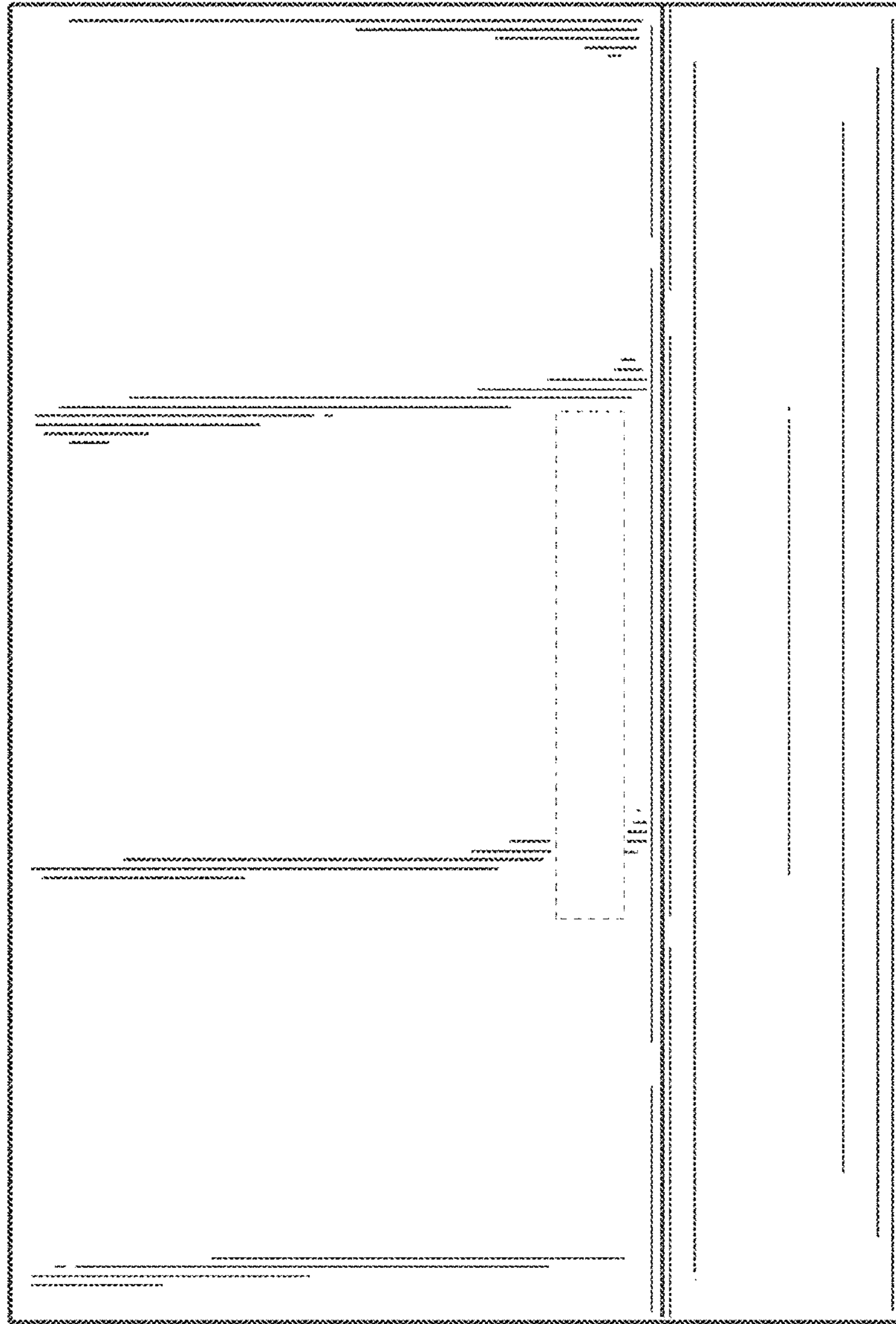


FIG. 3

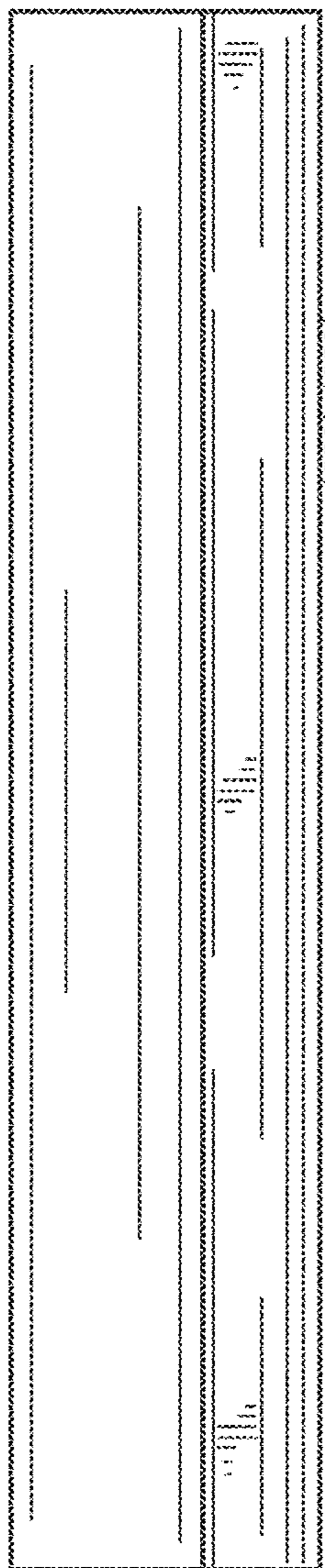


FIG. 4

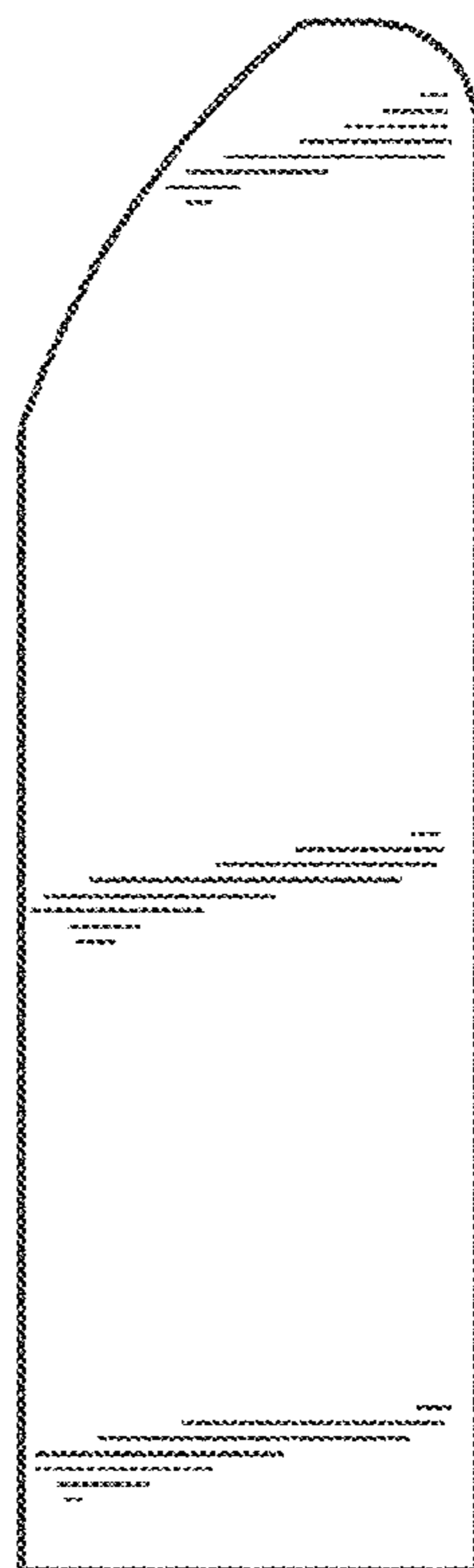


FIG. 5

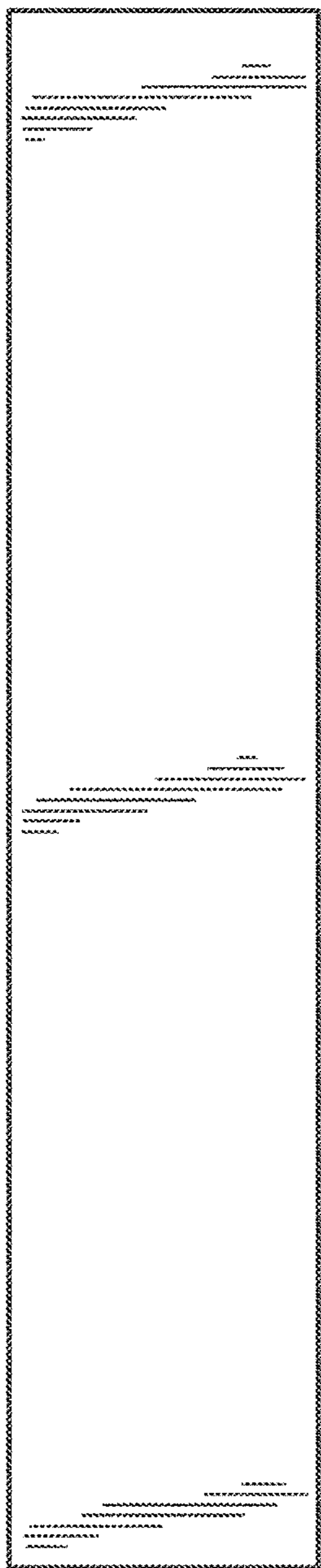


FIG. 6

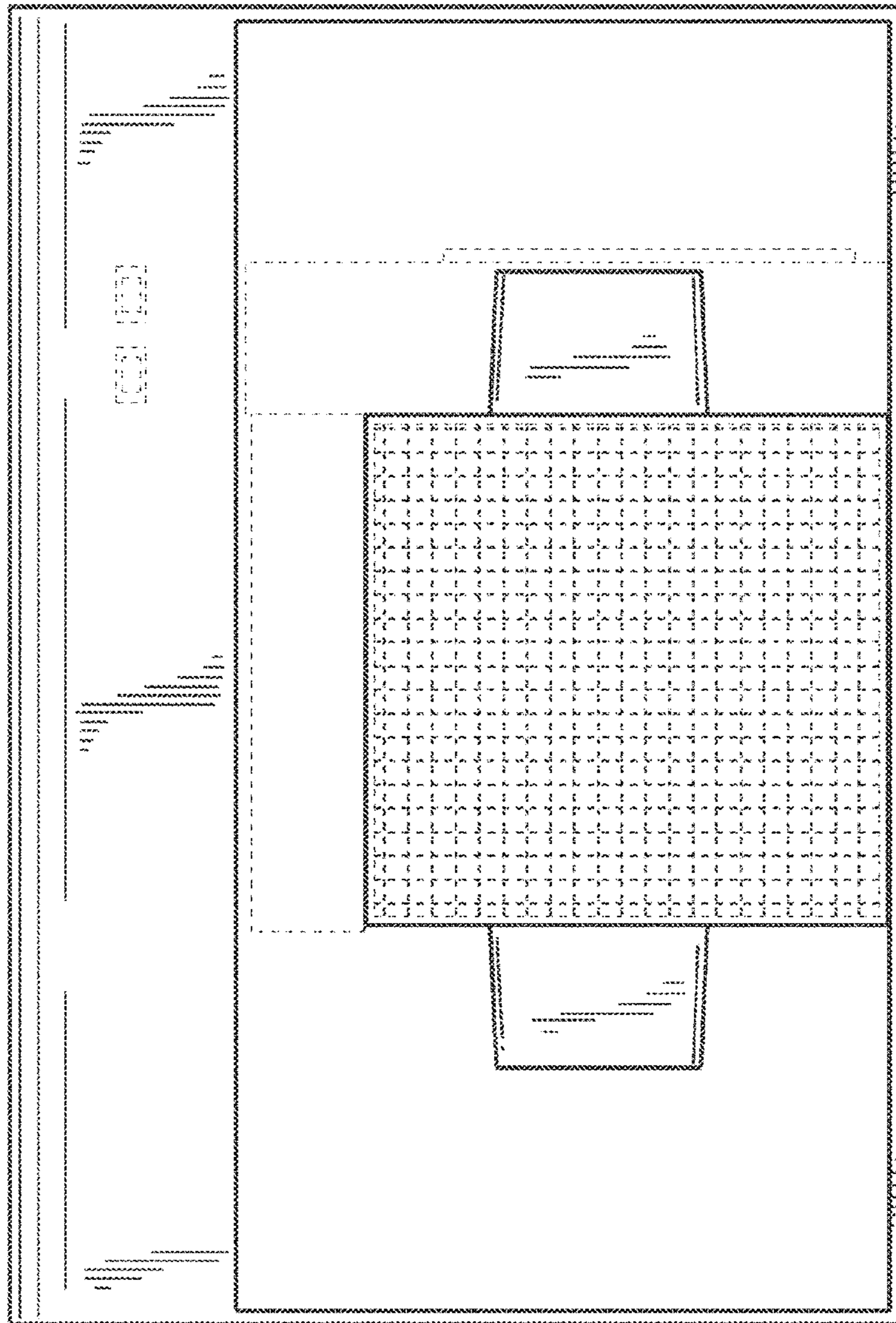


FIG. 7