



US00D758557S

(12) **United States Design Patent**
Jih

(10) **Patent No.:** **US D758,557 S**
(45) **Date of Patent:** **** Jun. 7, 2016**

(54) **AIR PURIFIER**

(71) Applicant: **PRIOR COMPANY LIMITED**, Taipei
(TW)

(72) Inventor: **Eric Jih**, New Taipei (TW)

(73) Assignee: **PRIOR COMPANY LIMITED**, Taipei
(TW)

(**) Term: **14 Years**

(21) Appl. No.: **29/504,991**

(22) Filed: **Oct. 10, 2014**

(51) **LOC (10) Cl.** **23-04**

(52) **U.S. Cl.**
USPC **D23/355**

(58) **Field of Classification Search**

USPC D23/355, 356, 359, 360, 364, 366, 368,
D23/386, 332; D15/79; 55/356, 473, 504;
422/120, 122; 96/97; 26/32
CPC A61L 9/16; A61L 9/22; B01D 47/00;
B01D 47/027; B01D 2221/02; B01D
2259/4508; B03C 3/155; F24F 3/16; F24F
13/20; F24F 13/28; F24F 2001/0096; F24F
3/1405; F24F 3/1603; F24F 13/222

See application file for complete search history.

(56) **References Cited**

U.S. PATENT DOCUMENTS

2,301,646	A	*	11/1942	Stapleton	F24F 6/025 392/333
D547,430	S	*	7/2007	Low	D21/713
D550,341	S	*	9/2007	Di Robilant	D23/359
D551,745	S	*	9/2007	Aulwes	D23/355
D599,897	S	*	9/2009	Low	D23/364
D611,587	S	*	3/2010	Dineen	D23/366
D612,245	S	*	3/2010	Canamasas Puigbo	D9/519
D703,802	S	*	4/2014	Dios	D23/359
D719,248	S	*	12/2014	Smith, Jr.	D23/356

* cited by examiner

Primary Examiner — Ralf Seifert

(74) *Attorney, Agent, or Firm* — Muncy, Geissler, Olds & Lowe, P.C.

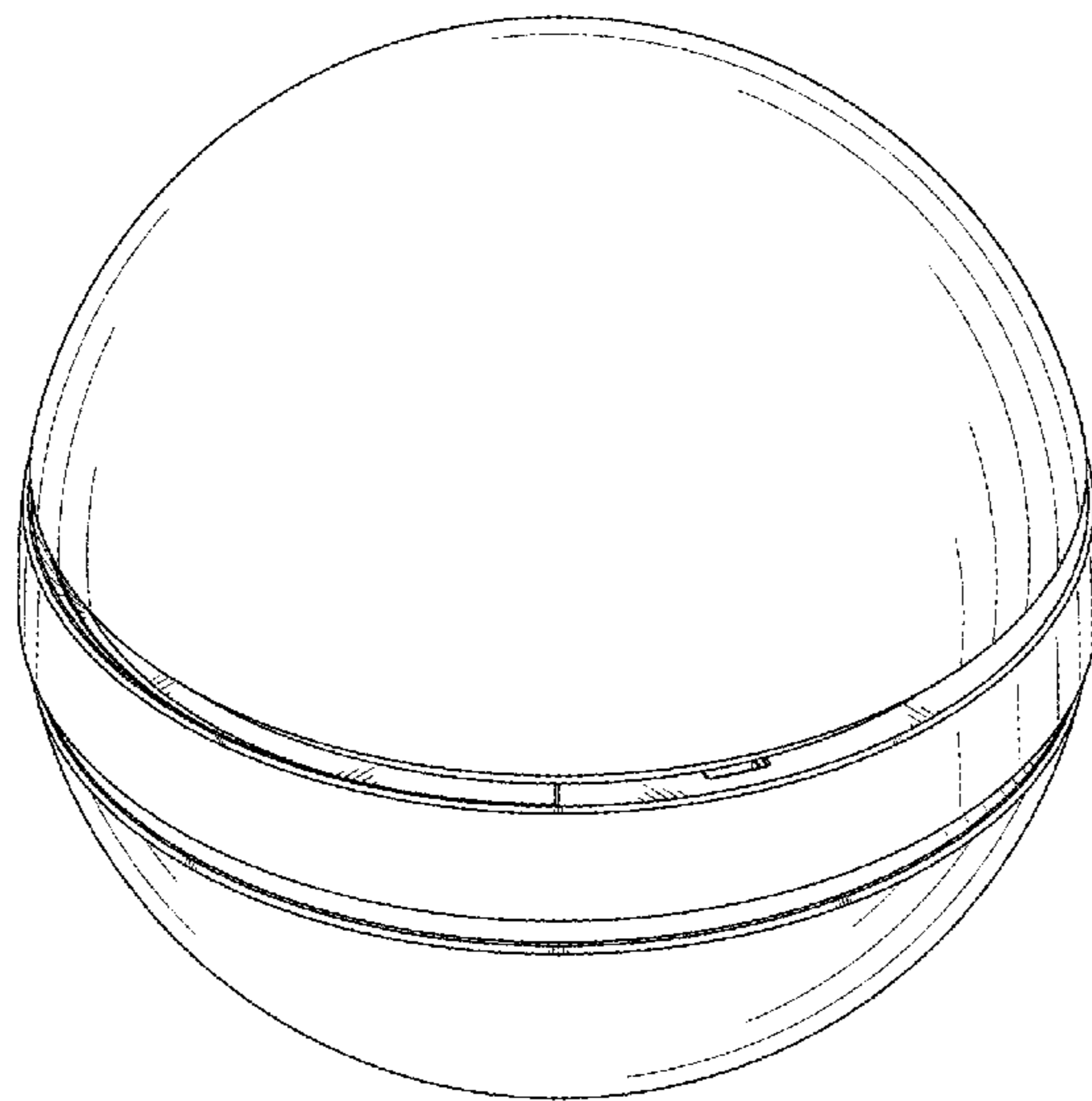
(57) **CLAIM**

The ornamental design for an air purifier, as shown and described.

DESCRIPTION

FIG. 1 is a perspective view of an air purifier showing my new design;
FIG. 2 is a front elevational view thereof;
FIG. 3 is a rear elevational view thereof;
FIG. 4 is a left side view thereof;
FIG. 5 is a right side view thereof;
FIG. 6 is a top plain view thereof; and,
FIG. 7 is a bottom plain view thereof.
The broken lines are included for the purpose of illustrating portions of the air purifier that form no part of the claimed design.

1 Claim, 7 Drawing Sheets



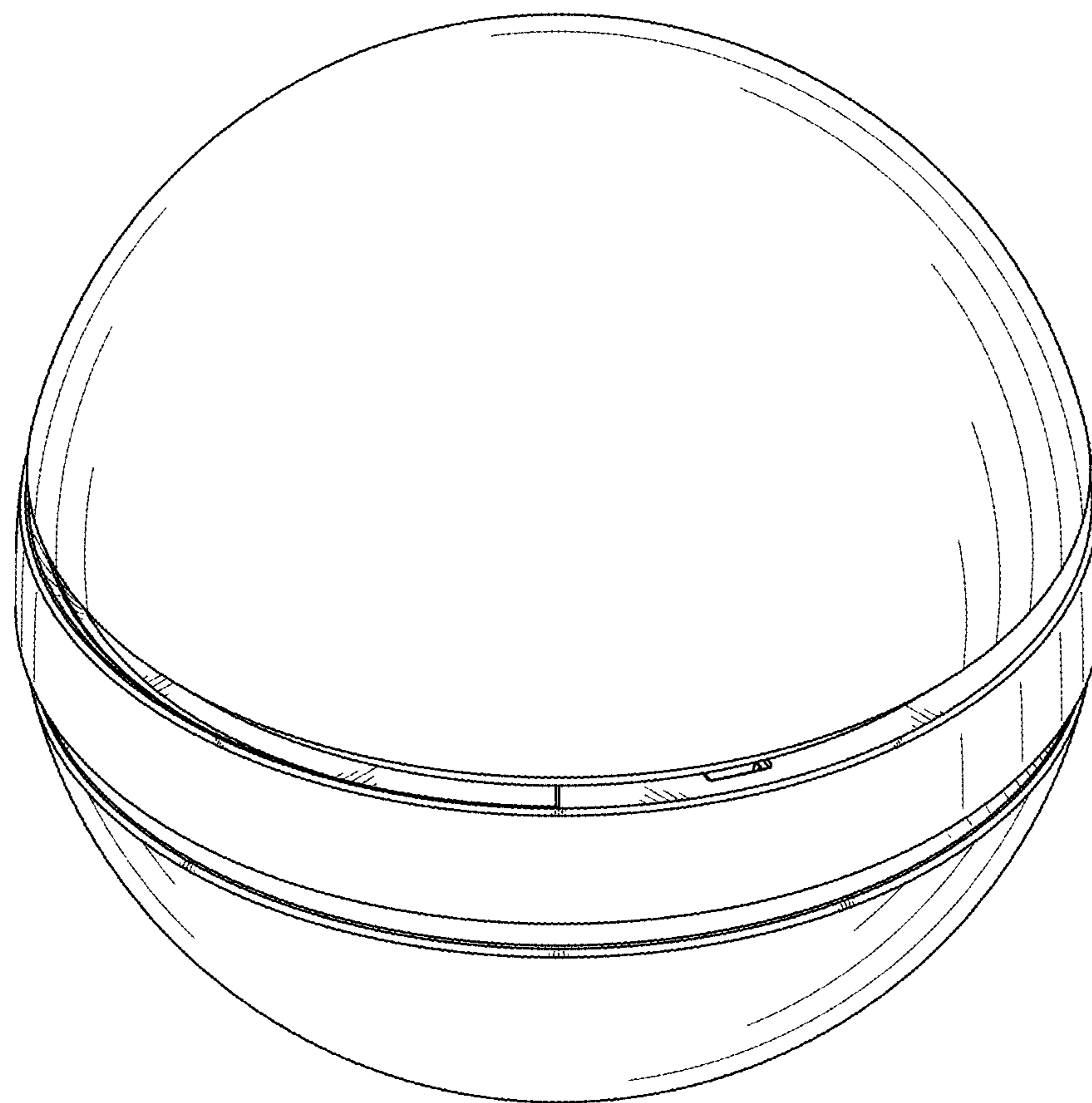


FIG. 1

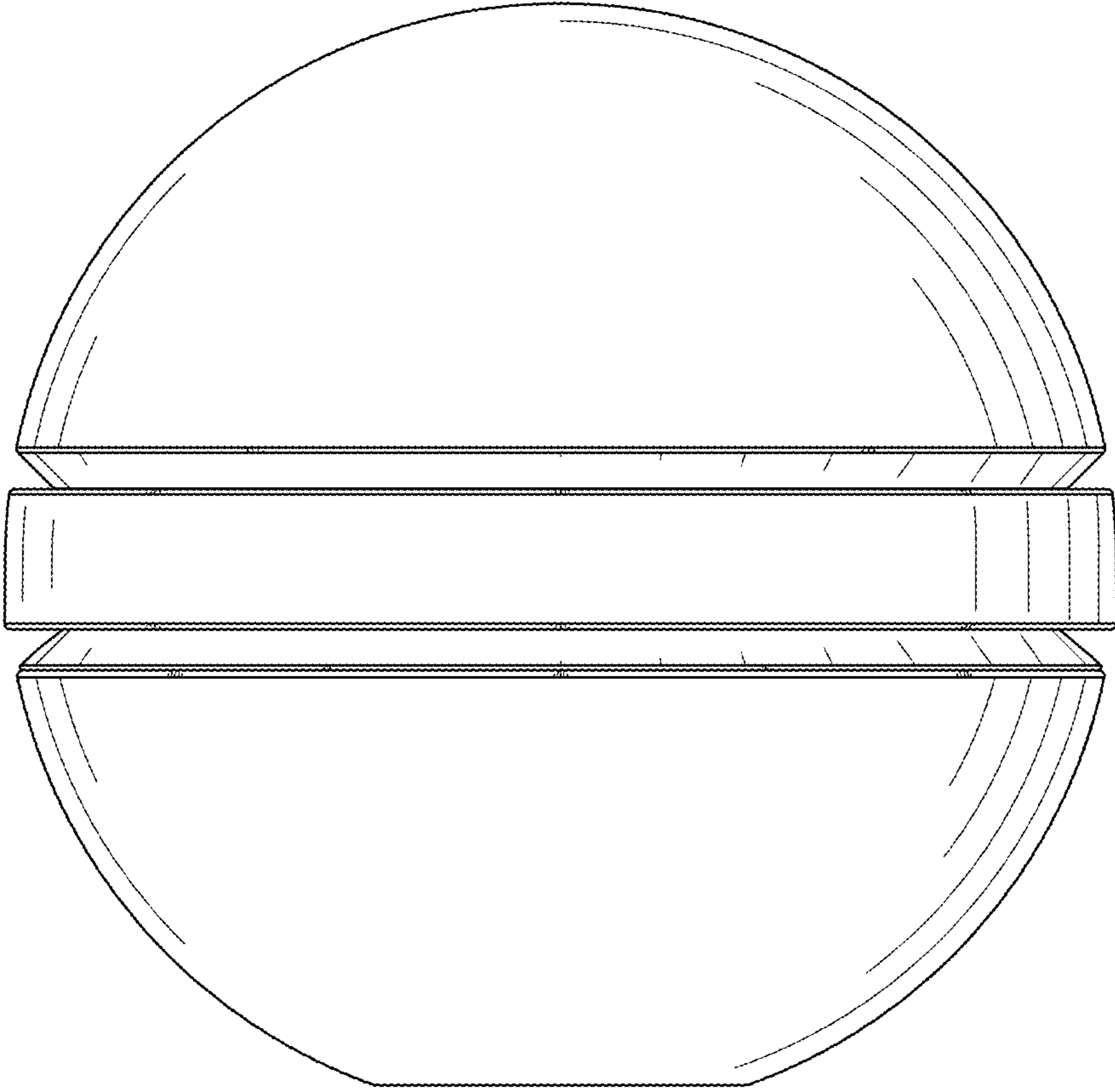


FIG. 2

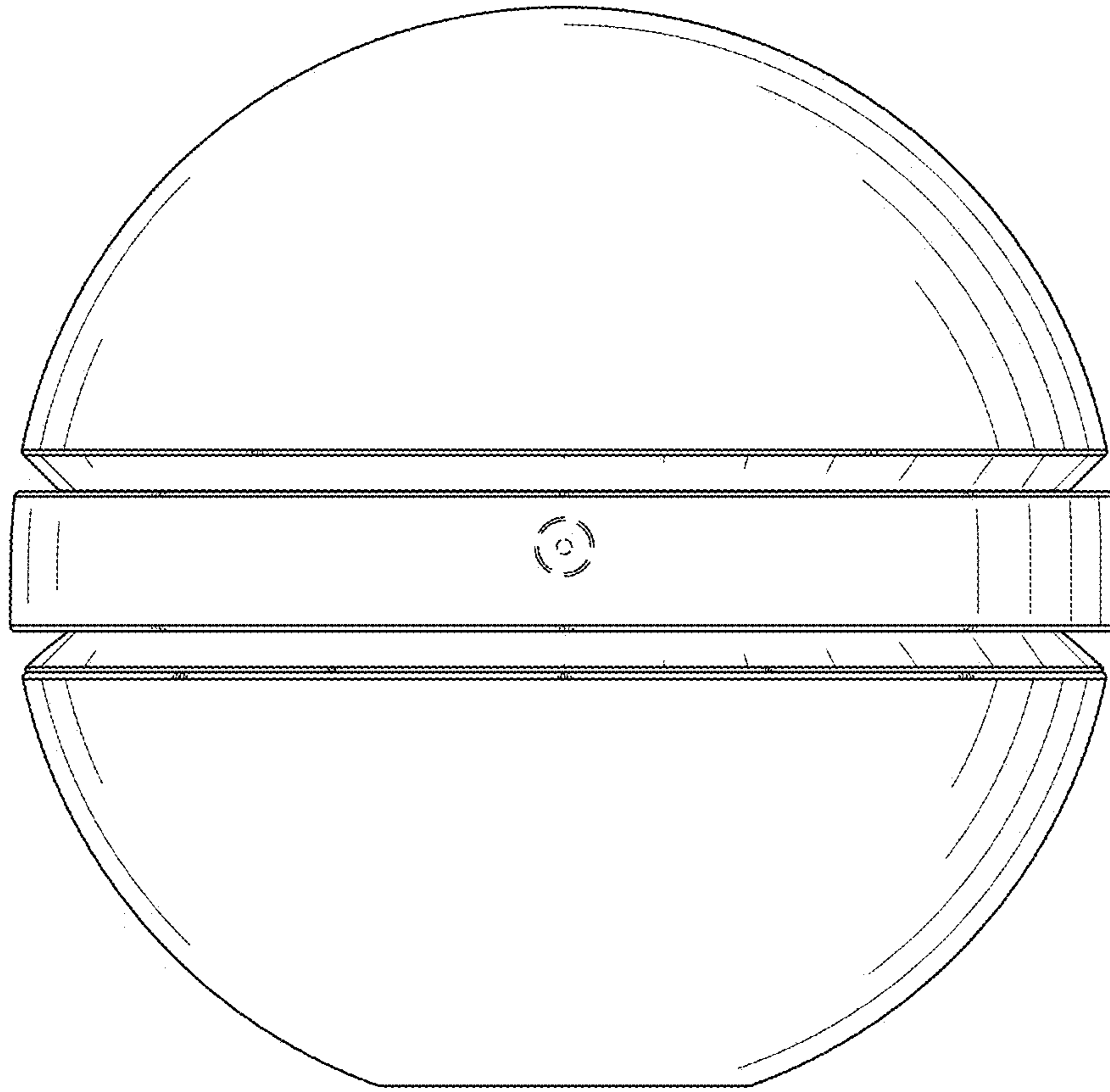


FIG. 3

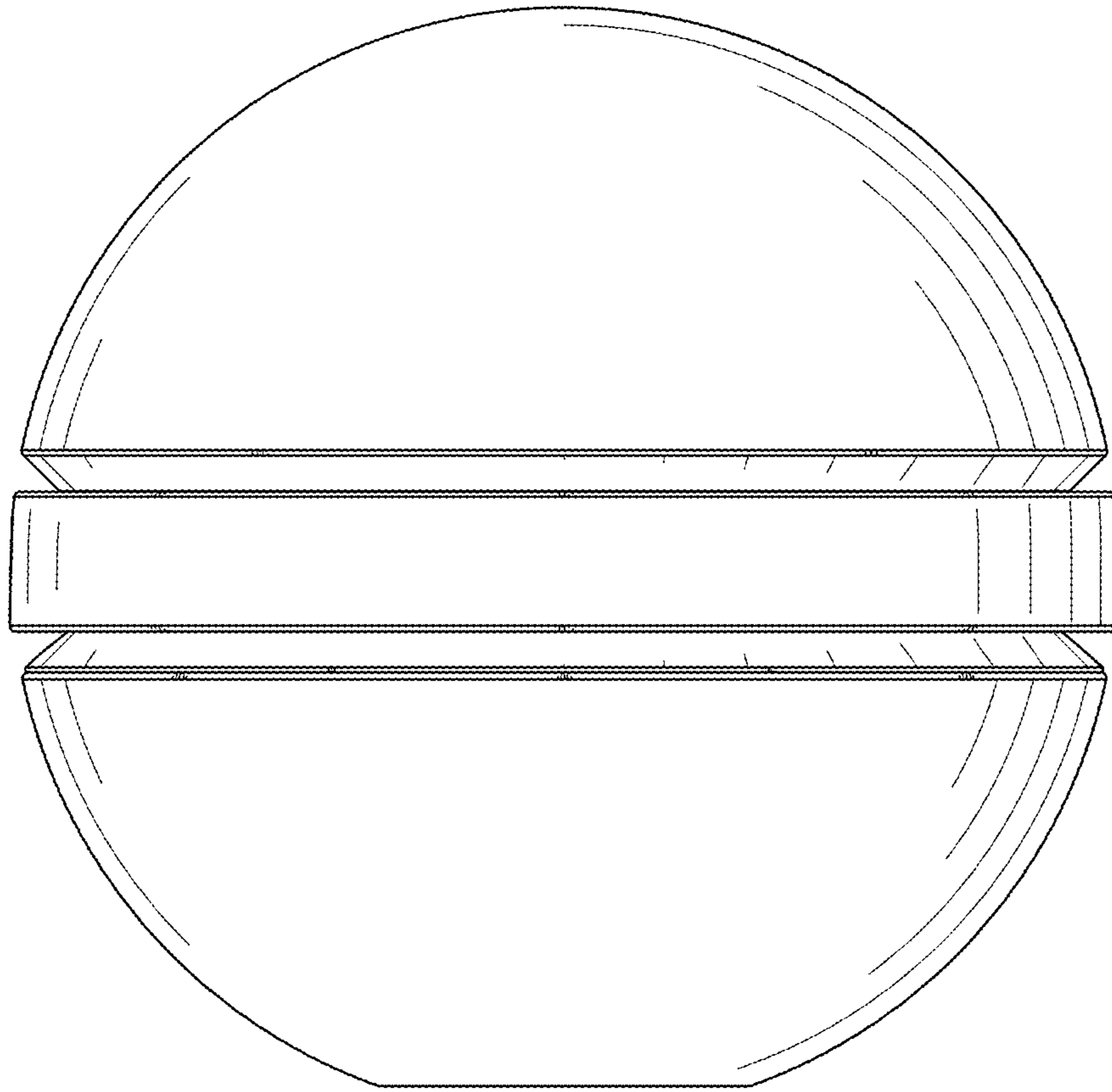


FIG. 4

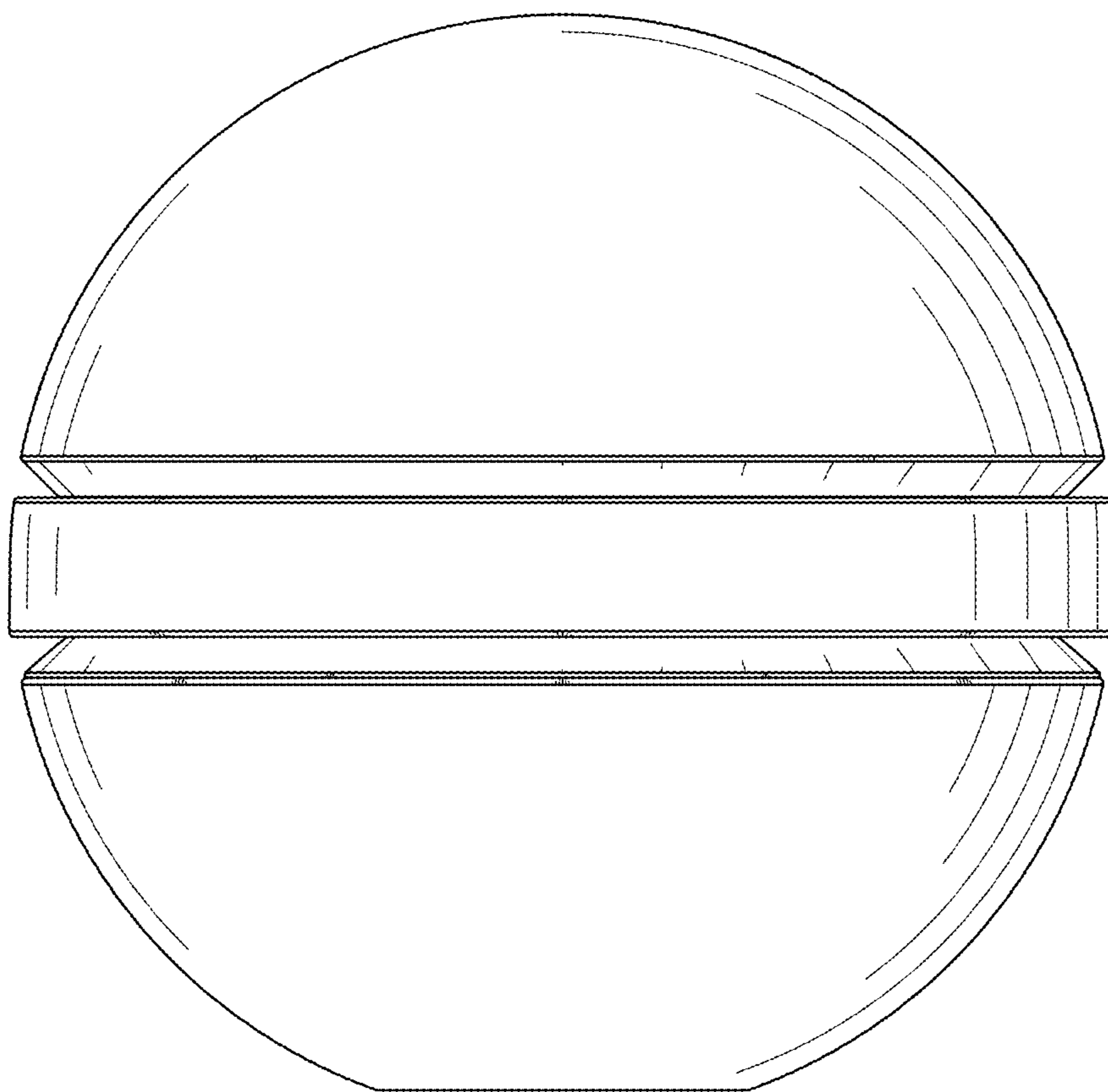


FIG. 5

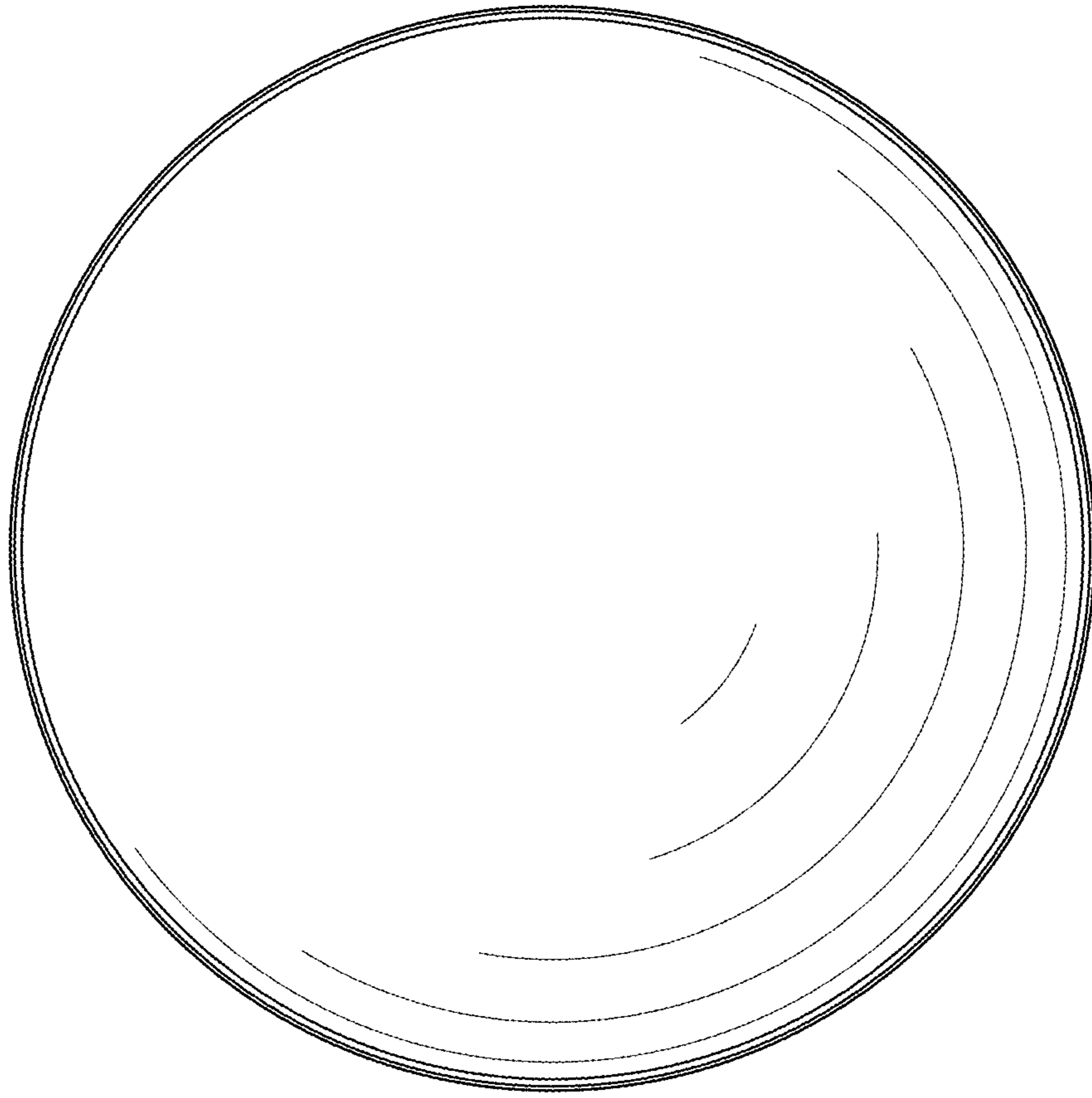


FIG. 6

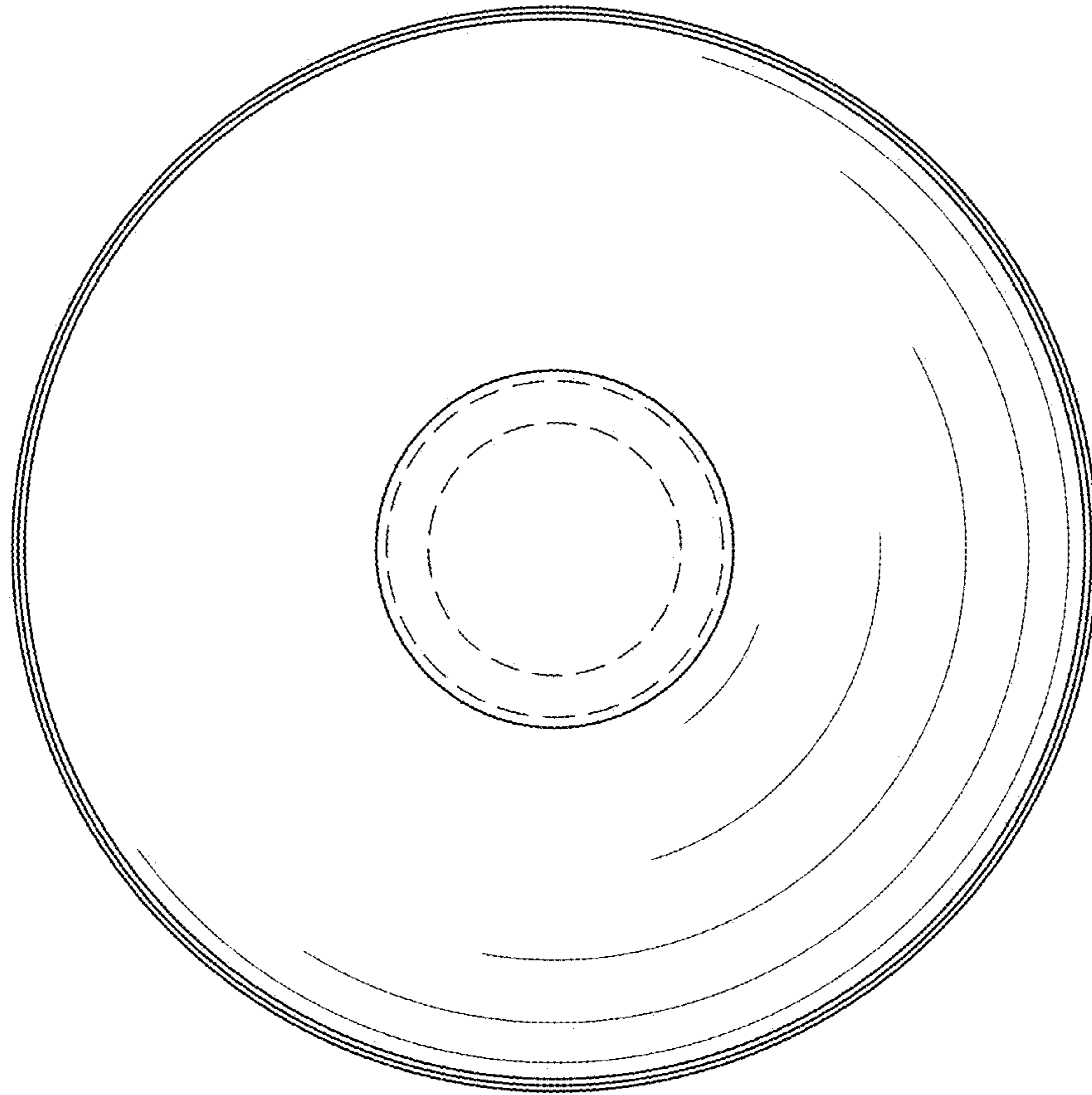


FIG. 7