

US00D758556S

(12) **United States Design Patent**
Licini

(10) **Patent No.:** **US D758,556 S**
(45) **Date of Patent:** **** Jun. 7, 2016**

(54) **SHOWER RECEPTOR**

(71) Applicant: **Kohler Co.**, Kohler, WI (US)
(72) Inventor: **Frederic Licini**, L'Etang la Ville (FR)
(73) Assignee: **KOHLER CO.**, Kohler, WI (US)
(**) Term: **15 Years**

(21) Appl. No.: **29/527,953**

(22) Filed: **May 22, 2015**

(51) **LOC (10) Cl.** **23-02**

(52) **U.S. Cl.**
USPC **D23/304**

(58) **Field of Classification Search**
USPC D23/283, 303-304
CPC A47K 3/40; A47K 3/325; A47K 3/30;
A47K 3/32; A47K 3/285; A47K 3/286
See application file for complete search history.

(56) **References Cited**

U.S. PATENT DOCUMENTS

D255,829 S * 7/1980 Swenson D23/283
D532,877 S * 11/2006 Hisey D23/304
D596,721 S * 7/2009 Hisey D23/304
D611,129 S * 3/2010 Hisey D23/304
7,739,757 B2 * 6/2010 Witt A47K 3/40
4/612
8,474,069 B1 * 7/2013 Whiting A47K 3/405
4/613

D692,992 S * 11/2013 Whiting D23/304

* cited by examiner

Primary Examiner — Robert Delehanty
(74) *Attorney, Agent, or Firm* — Foley & Lardner LLP

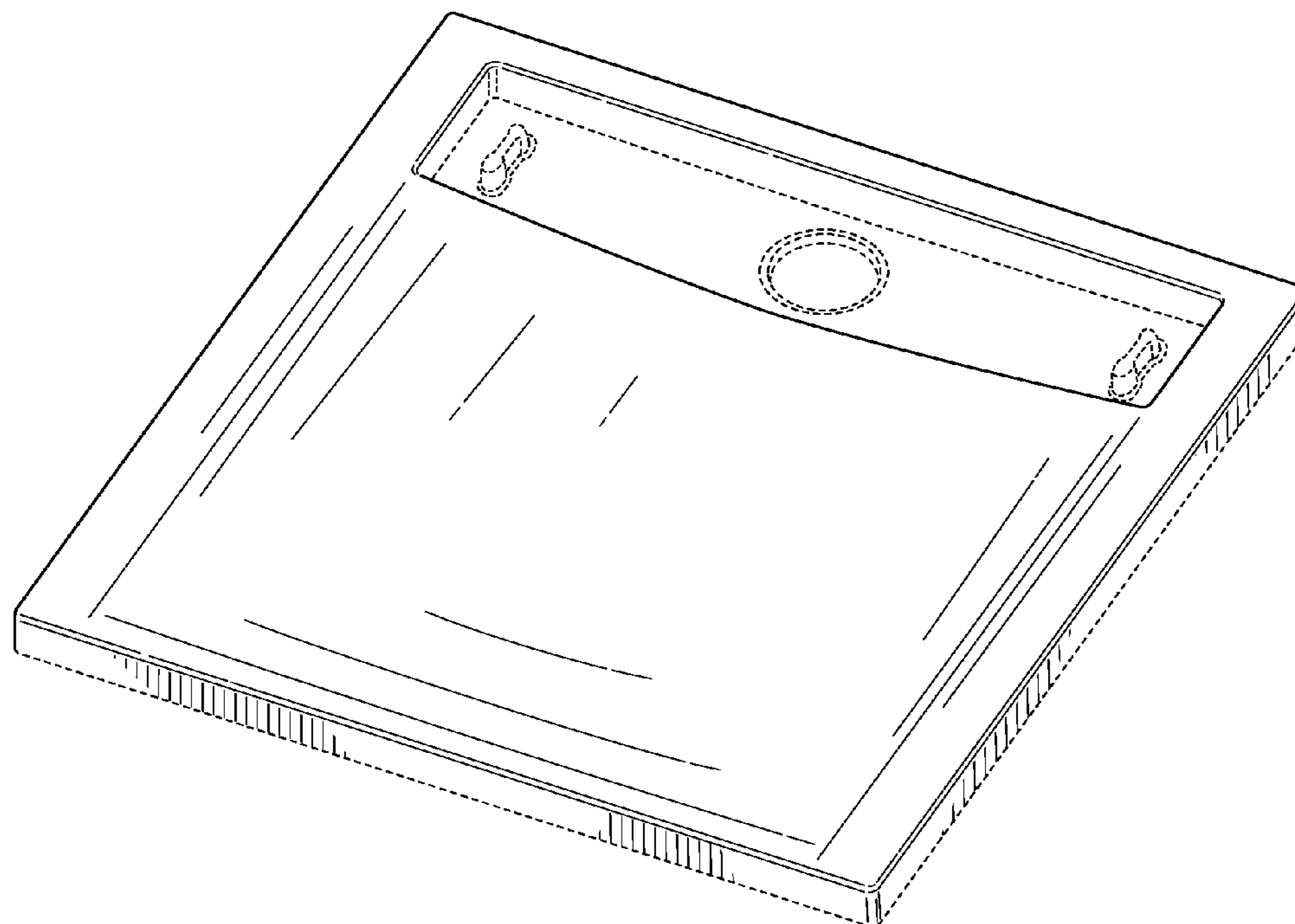
(57) **CLAIM**

I claim the ornamental design for a shower receptor, as shown and described.

DESCRIPTION

FIG. 1 is a top, front, right perspective view of an embodiment of the claimed design;
FIG. 2 is a top, rear, left perspective view of the claimed design;
FIG. 3 is top plan view thereof;
FIG. 4 is a rear elevation view thereof;
FIG. 5 is a front elevation view thereof;
FIG. 6 is a left elevation view thereof;
FIG. 7 is a right elevation view thereof;
FIG. 8 is a cross-sectional view taken along line 8-8 in FIG. 3; and,
FIG. 9 is a cross-sectional view taken along line 9-9 in FIG. 3.
The ornamental design which is claimed is shown in solid lines in the drawings. The broken lines in the drawings form no part of the claimed design. Broken lines formed by equal length dashes show unclaimed subject matter. Broken lines formed of unequal length dashes (i.e., dash-dot) define bounds of the claimed design. Broken away symbols having a jagged element show that no particular length of the portion is claimed.

1 Claim, 4 Drawing Sheets



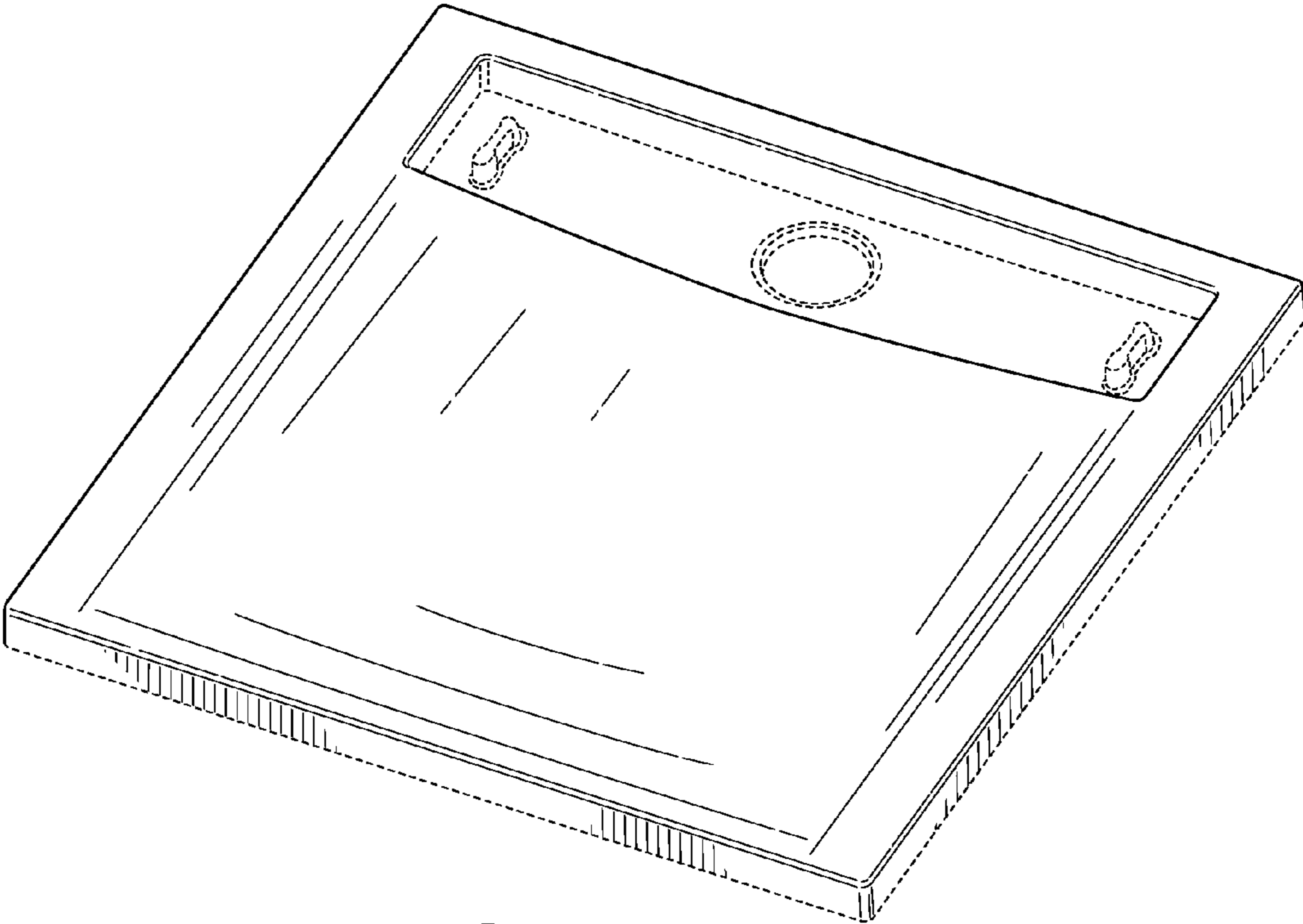


FIG. 1

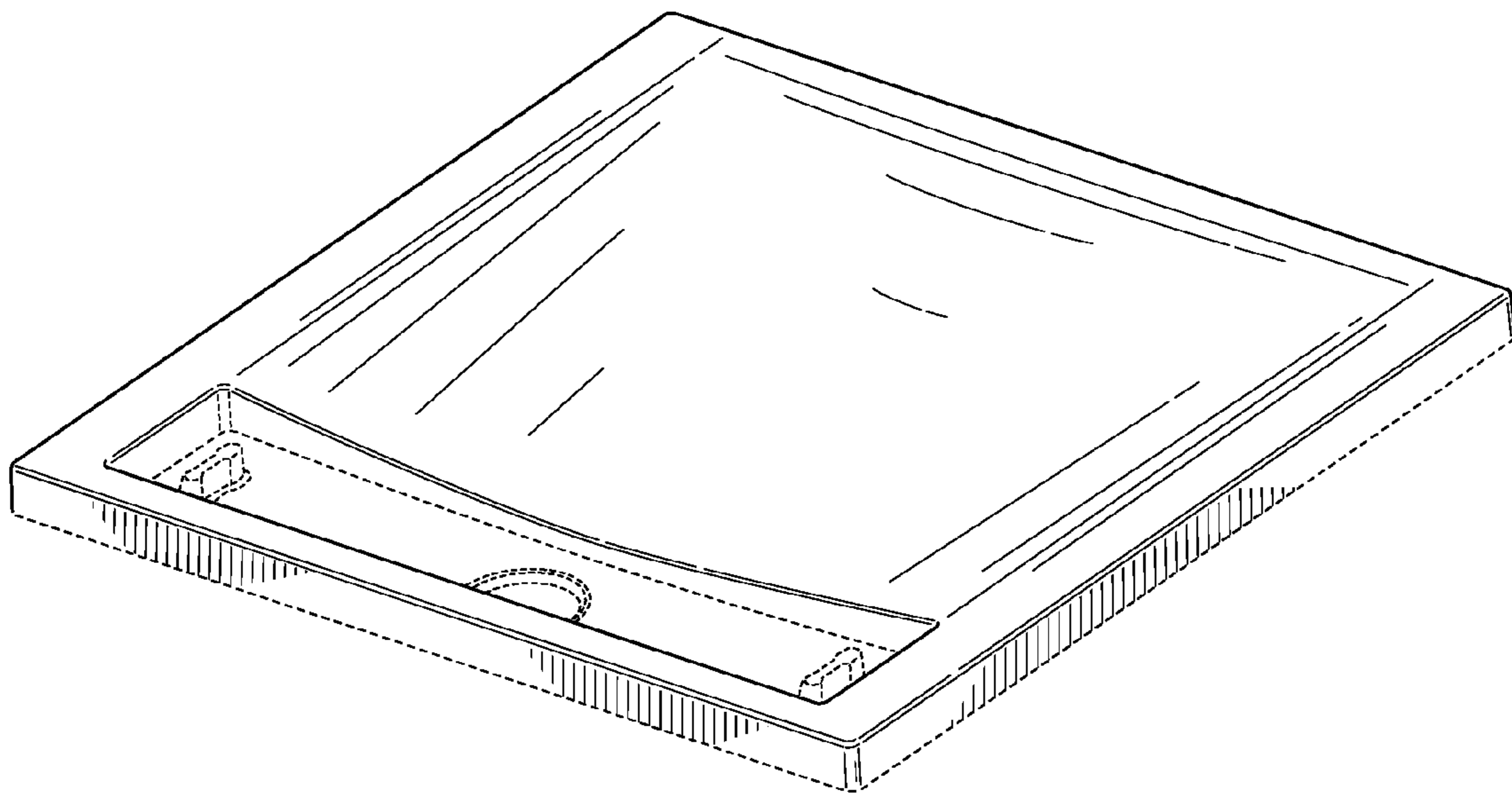


FIG. 2

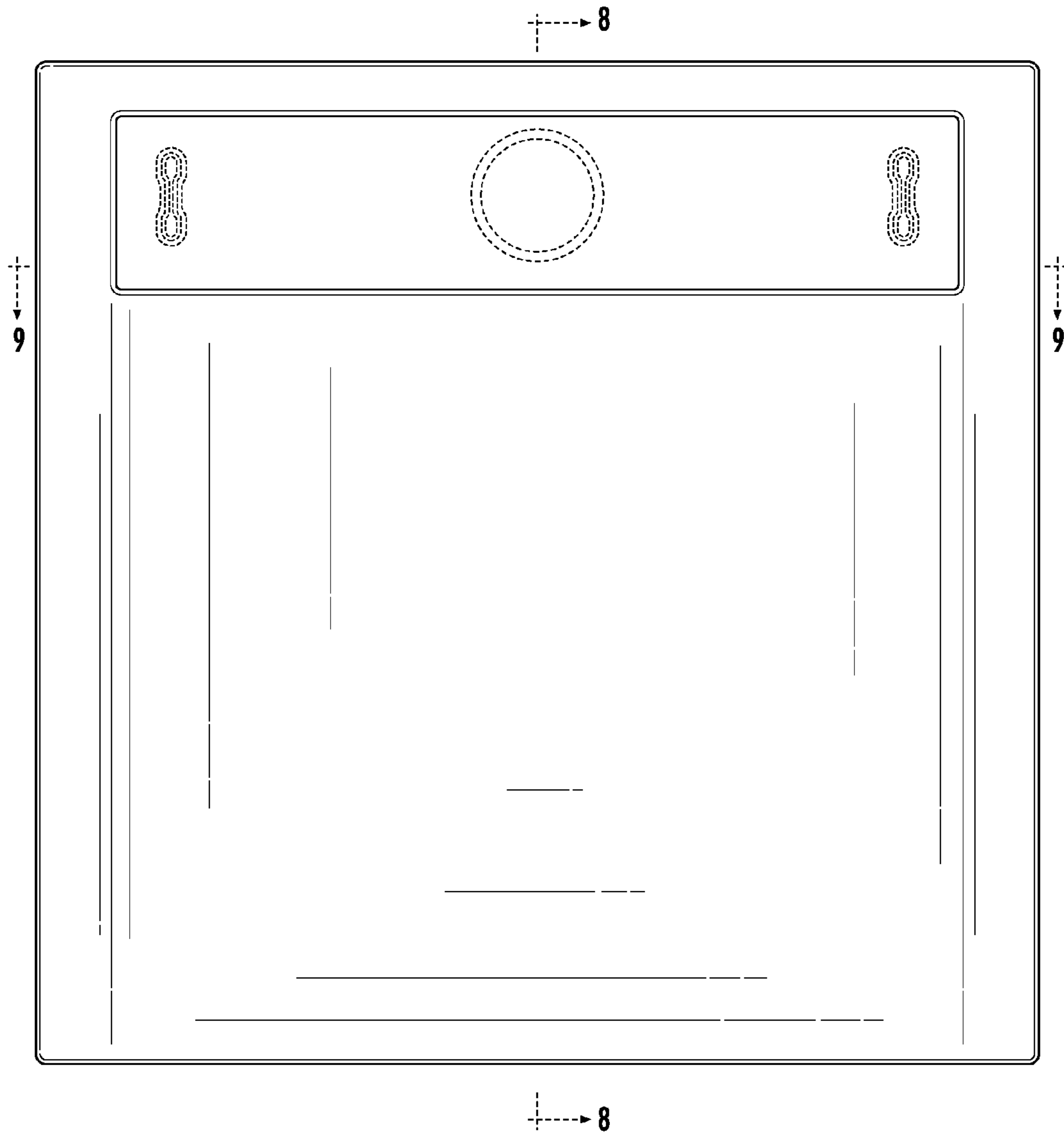


FIG. 3

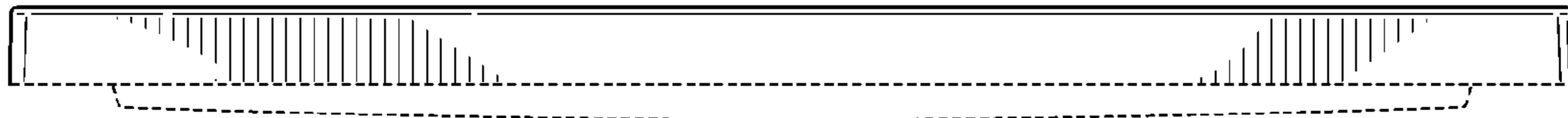


FIG. 4

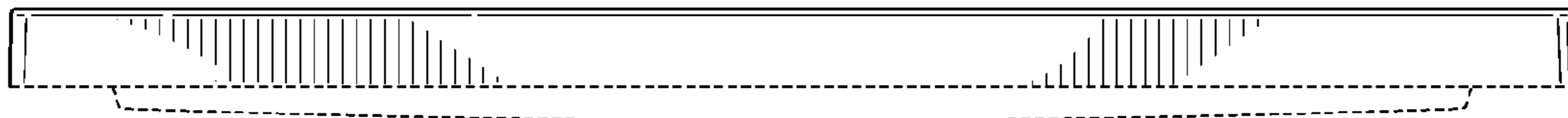


FIG. 5

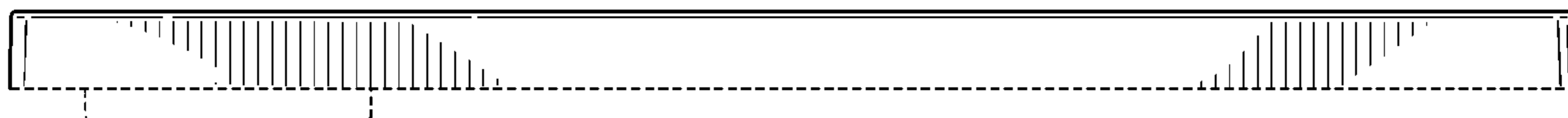


FIG. 6

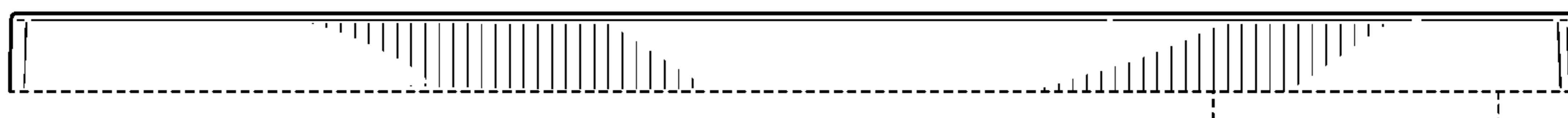


FIG. 7

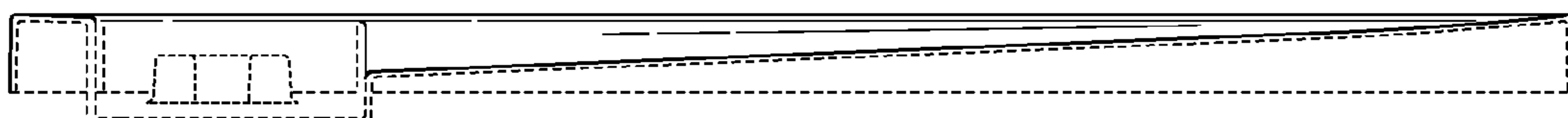


FIG. 8

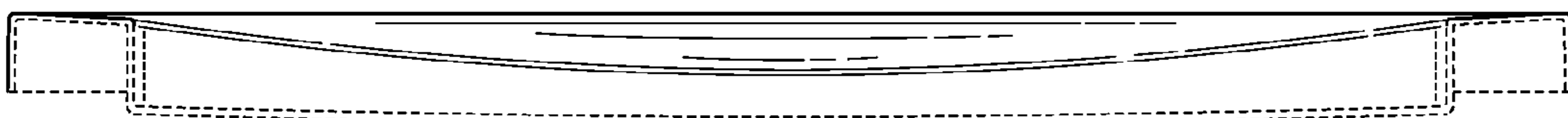


FIG. 9