



(12) **United States Design Patent**
Van Dyke et al.

(10) **Patent No.:** **US D758,555 S**
(45) **Date of Patent:** **** Jun. 7, 2016**

(54) **FUEL LINE CONNECTOR**

(71) Applicant: **Bi-Phase Technologies, LLC**, Eagan, MN (US)

(72) Inventors: **Victor Van Dyke**, Eden Prairie, MN (US); **Phillip Charles Wencel**, Eagan, MN (US)

(73) Assignee: **BI-PHASE TECHNOLOGIES, LLC**, Eagan, MN (US)

(**) Term: **14 Years**

(21) Appl. No.: **29/514,285**

(22) Filed: **Jan. 9, 2015**

(51) **LOC (10) Cl.** **23-01**

(52) **U.S. Cl.**
USPC **D23/262**

(58) **Field of Classification Search**
USPC D23/209, 233, 235, 238, 249, 253, 254, D23/257, 259-269, 303, 304, 308; D12/197; D9/435
CPC B01D 35/04; B01D 29/13; B01D 29/19; B01D 36/006; B01D 2201/295; B01D 2201/304; F02M 37/221; A47K 3/28; A47K 3/30; A47K 3/281; A47K 3/283; E03C 1/20; E03C 1/26; E03C 1/28; E03C 1/122; E03C 1/262; E03C 1/292; E03F 5/02; E03F 5/04; F16L 37/252; F16L 41/007; F16L 43/008; F16L 55/07; F16L 25/0036; B08B 9/032
See application file for complete search history.

(56) **References Cited**

U.S. PATENT DOCUMENTS

4,474,160 A * 10/1984 Gartner F02M 55/004
123/468
4,570,602 A * 2/1986 Atkins F02M 55/004
123/456

D314,233 S * 1/1991 Medvick D23/262
4,984,548 A * 1/1991 Hudson, Jr. F02M 61/145
123/468
4,991,557 A * 2/1991 DeGrace F02M 51/005
123/468
5,050,840 A * 9/1991 Kondo H01F 7/1607
251/129.08
5,623,907 A 4/1997 Cotton et al.
5,762,049 A * 6/1998 Jones F02M 37/10
123/509
6,216,675 B1 4/2001 Bennett
6,227,173 B1 5/2001 Bennett

(Continued)

Primary Examiner — George D Kirschbaum

Assistant Examiner — Amy Wierenga

(74) *Attorney, Agent, or Firm* — Merchant & Gould P.C.

(57) **CLAIM**

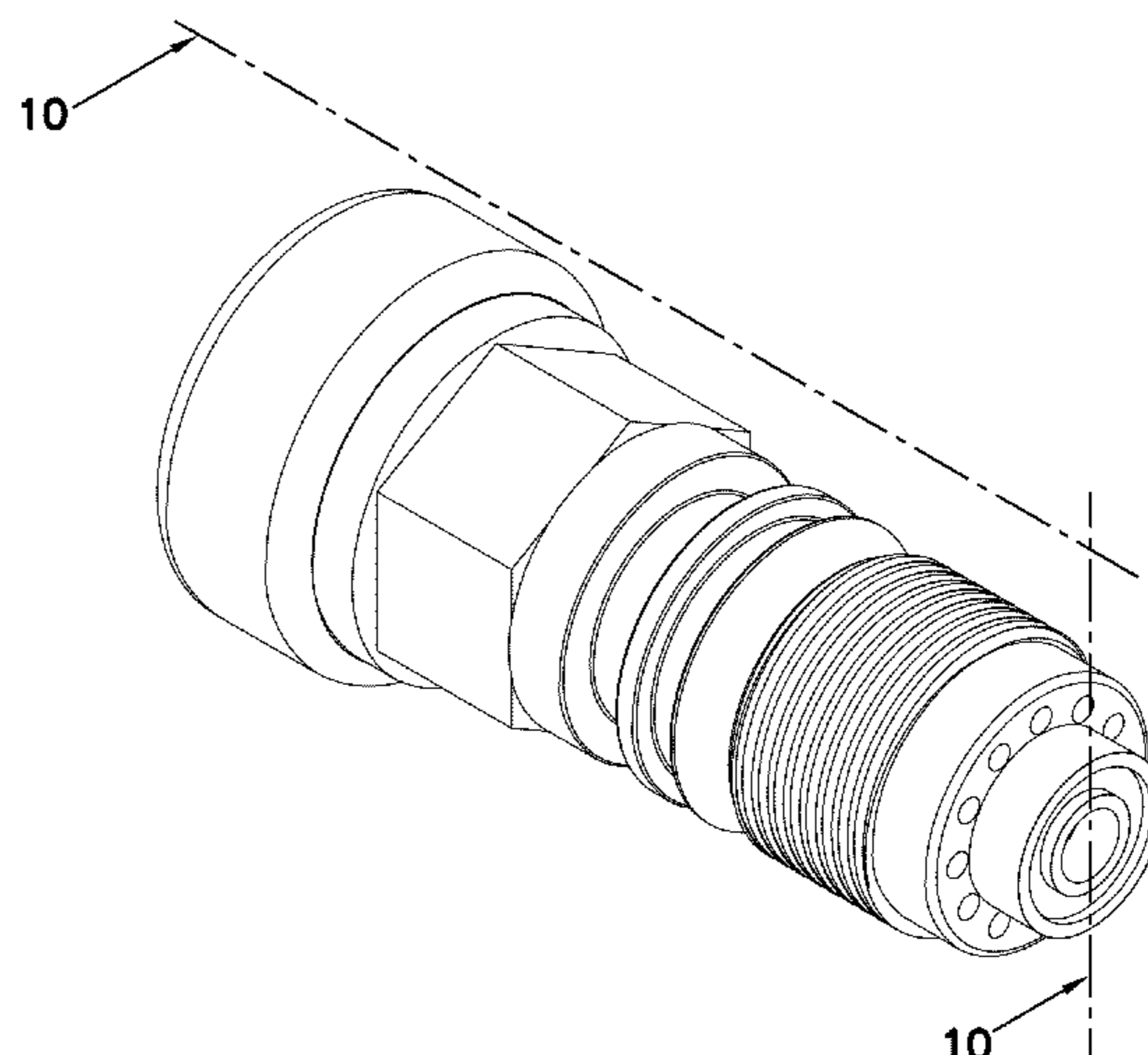
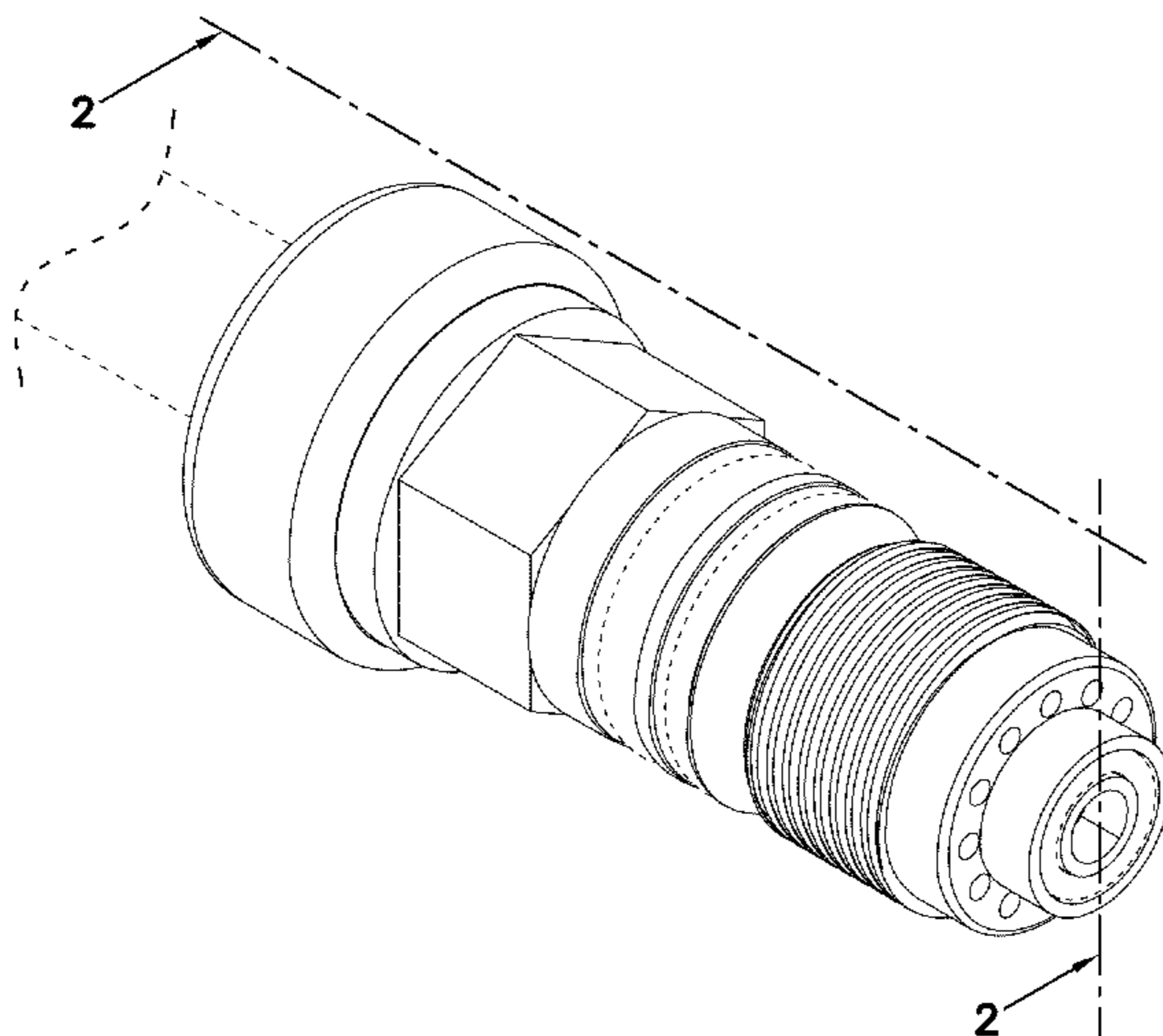
The ornamental design for a fuel line connector, as shown and described.

DESCRIPTION

FIG. 1 is an isometric view of a fuel line connector in a position of use;
FIG. 2 is a cross-sectional isometric view of a fuel line connector taken along cut lines 2 in FIG. 1;
FIG. 3 is another isometric view of a fuel line connector of FIG. 1;
FIG. 4 is a front view of a fuel line connector of FIG. 1;
FIG. 5 is rear view of a fuel line connector of FIG. 1;
FIG. 6 is a right side view of a fuel line connector of FIG. 1;
FIG. 7 is a left side view of a fuel line connector of FIG. 1;
FIG. 8 is a top view of a fuel line connector of FIG. 1;
FIG. 9 is a bottom view of a fuel line connector of FIG. 1; and,
FIG. 10 is a cross-sectional isometric view of a fuel line connector taken along cut lines 10 in FIG. 3.

The broken lines in FIGS. 1 and 2 are for the purpose of illustrating environment and form no part of the claim. The symbolic break lines drawn in broken line in FIGS. 1 and 2 form no part of the claim.

1 Claim, 7 Drawing Sheets



(56)

References Cited

U.S. PATENT DOCUMENTS

7,047,947	B2	5/2006	Van Dyke				
D600,322	S *	9/2009	Forsythe	D23/260		2007/0252384	A1* 11/2007 Dickerson F16L 41/10 285/89
D620,084	S *	7/2010	Talamantez	D23/262		2011/0030825	A1* 2/2011 Tivelli F16L 37/138 137/614
7,950,267	B2 *	5/2011	Van Dyke et al.			2011/0315122	A1* 12/2011 Straub F02M 55/005 123/469
D648,008	S *	11/2011	Percoco	D23/262		2014/0001748	A1* 1/2014 Ignaczak F16L 33/225 285/124.1
2001/0026068	A1 *	10/2001	Berg	F16L 27/107 285/226		2014/0116533	A1* 5/2014 Edler F16L 37/23 137/315.01
2002/0053567	A1 *	5/2002	Beyer	B60K 15/00 220/4.14		2014/0225366	A1* 8/2014 Ignaczak F16L 21/00 285/313

* cited by examiner

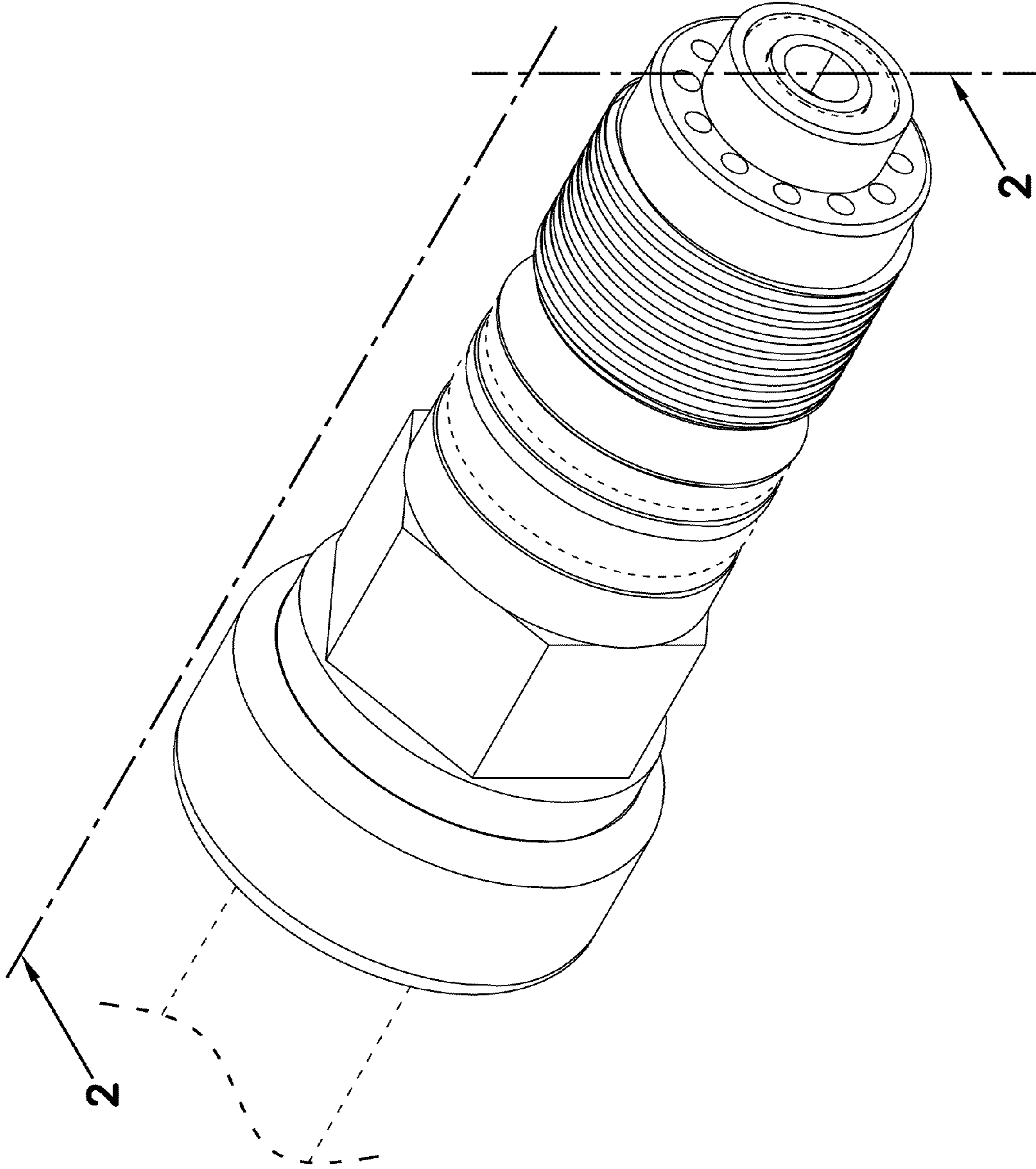


FIG. 1

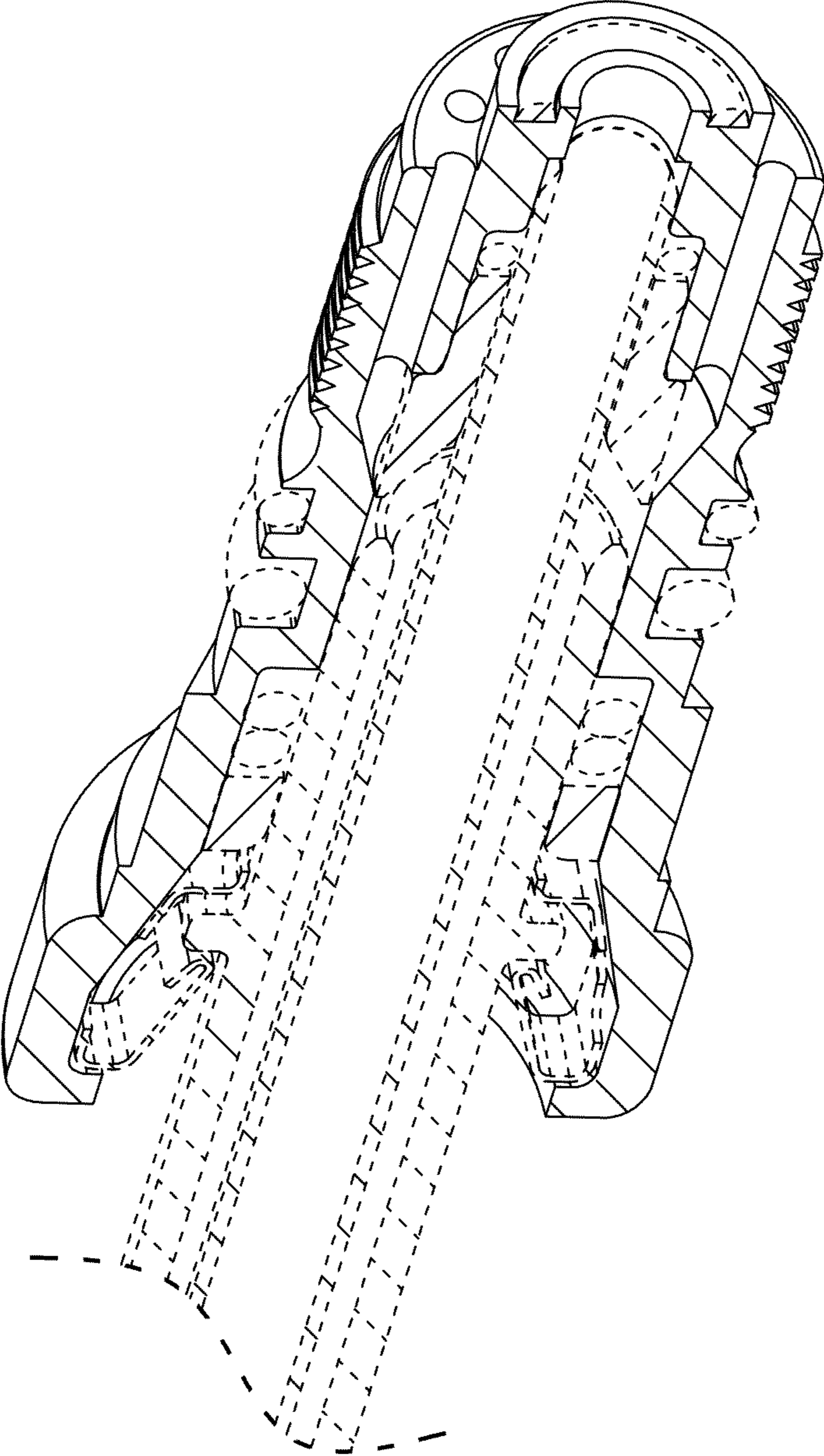


FIG. 2

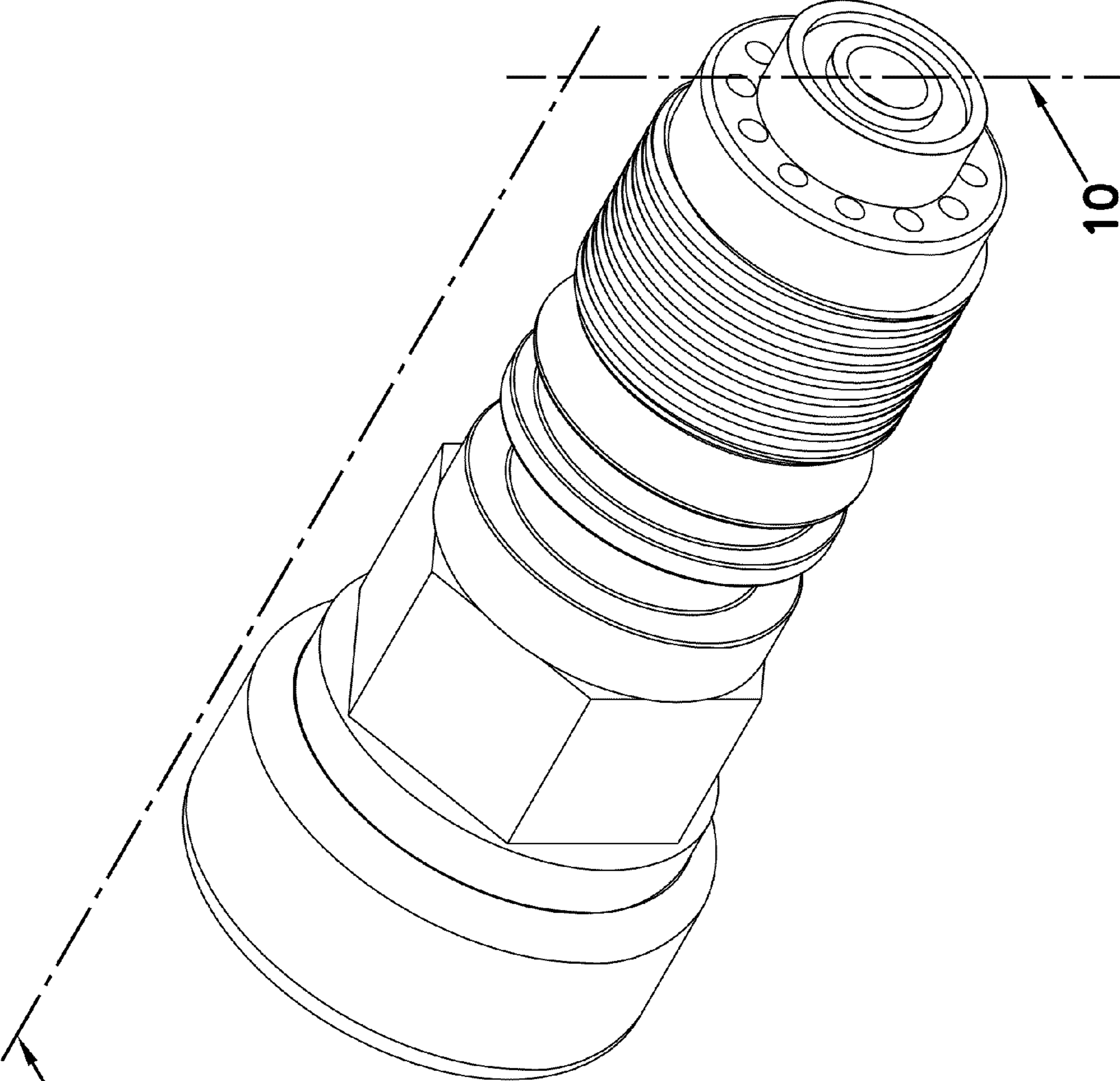


FIG. 3 10

FIG. 4

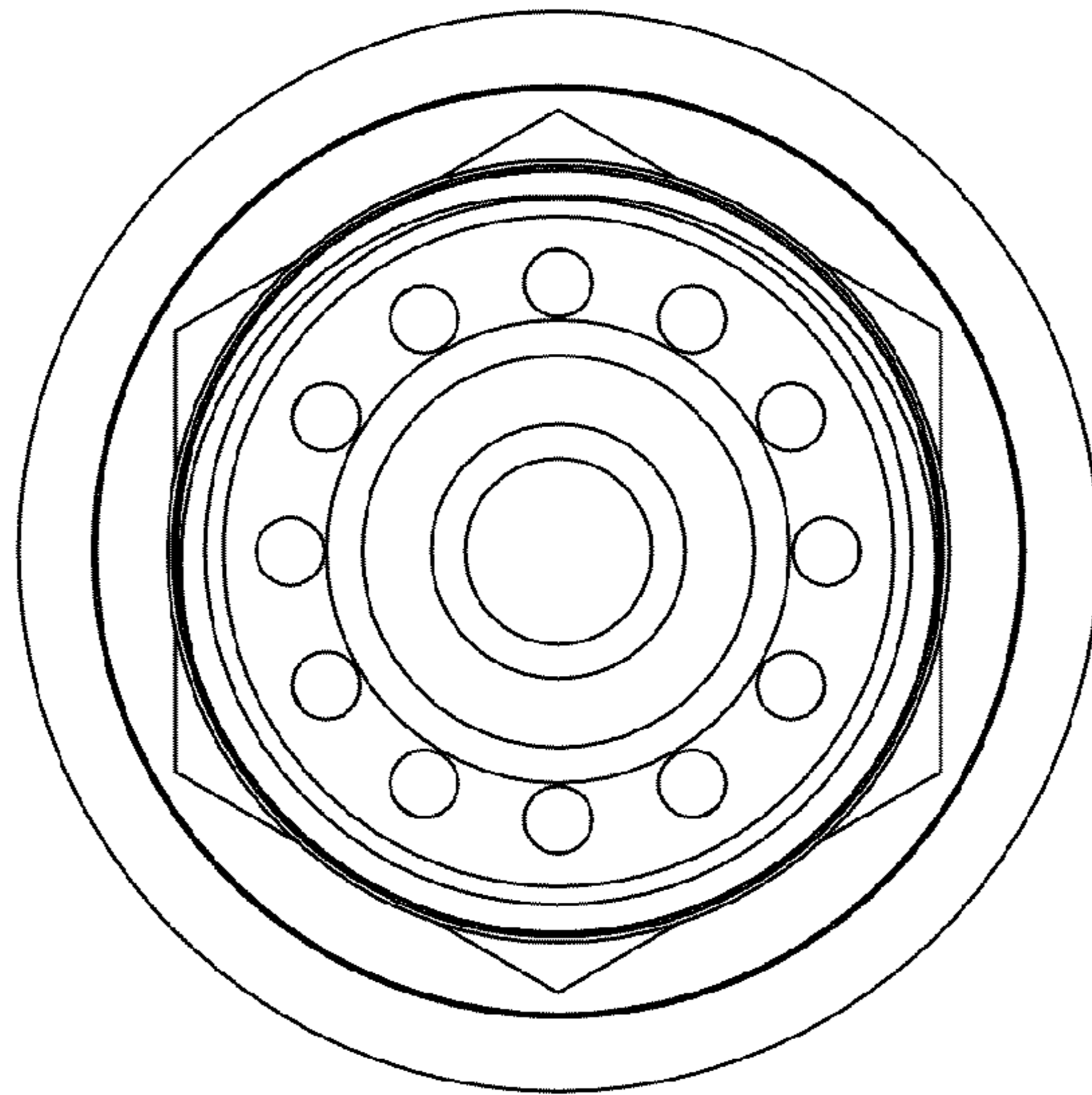
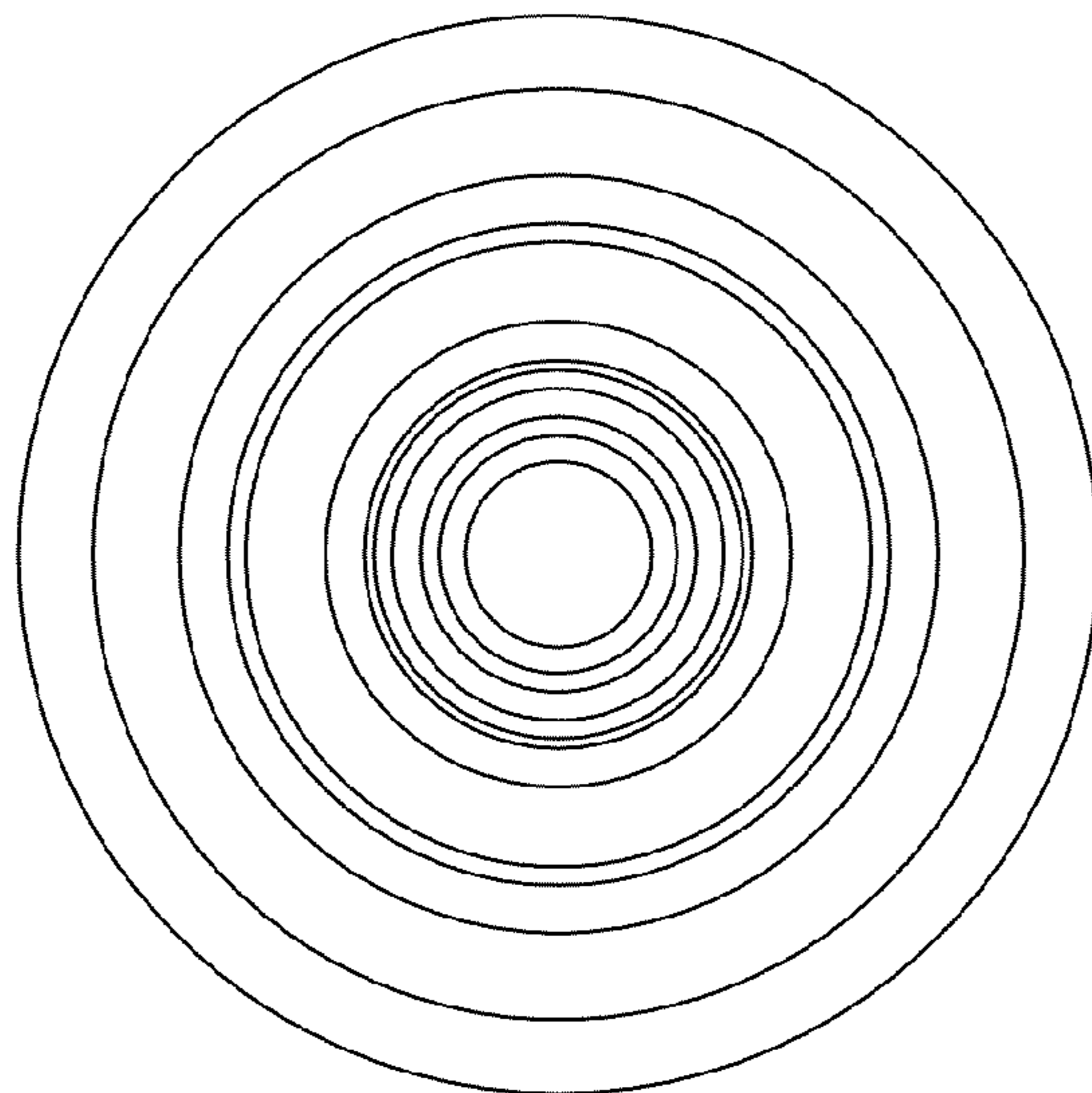


FIG. 5



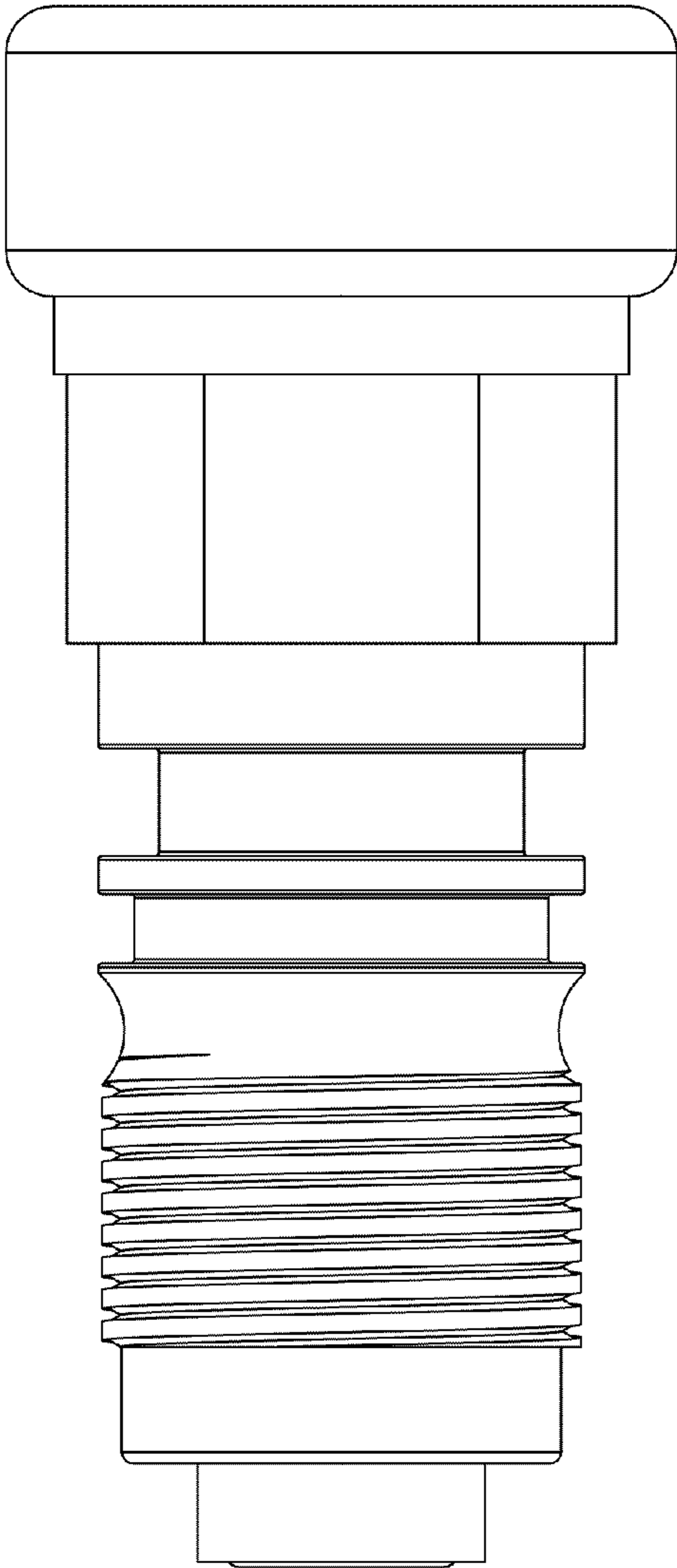


FIG. 6

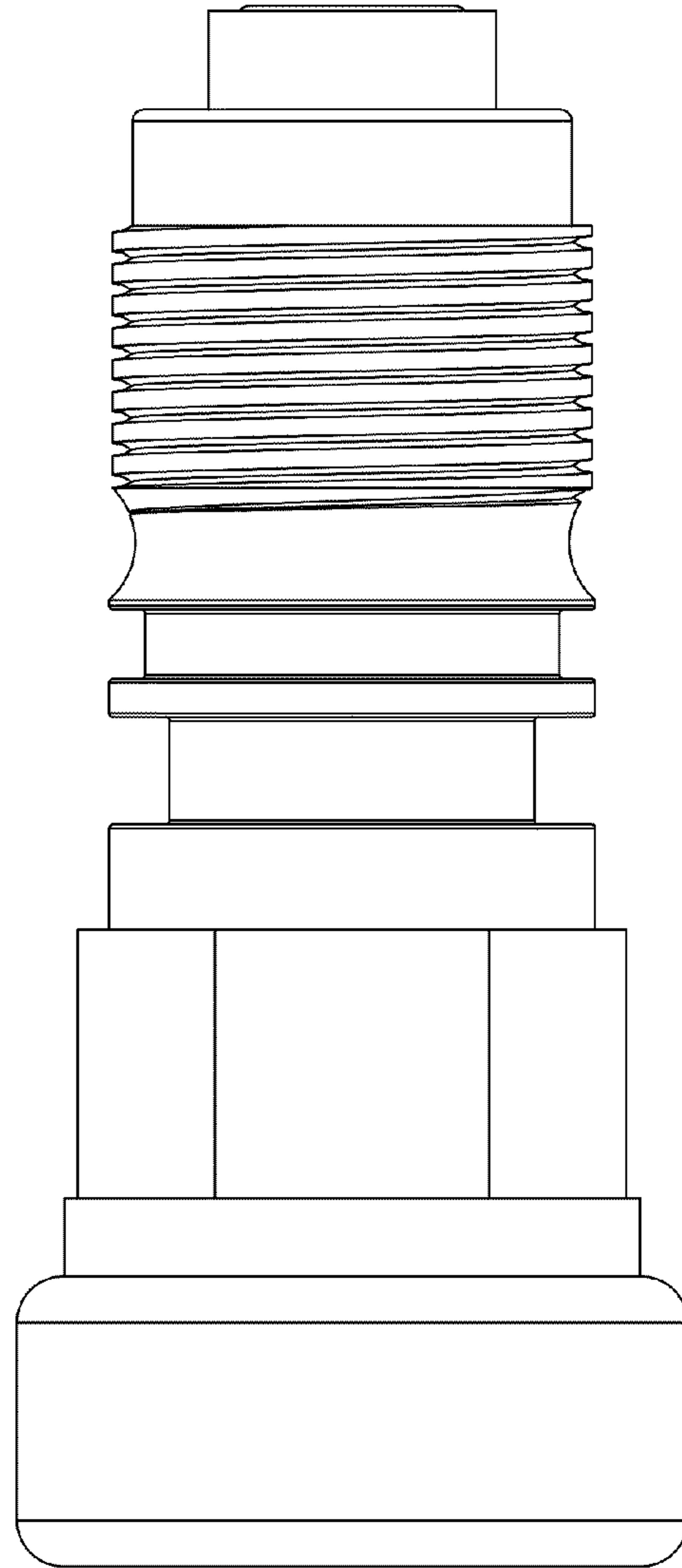


FIG. 7

FIG. 8

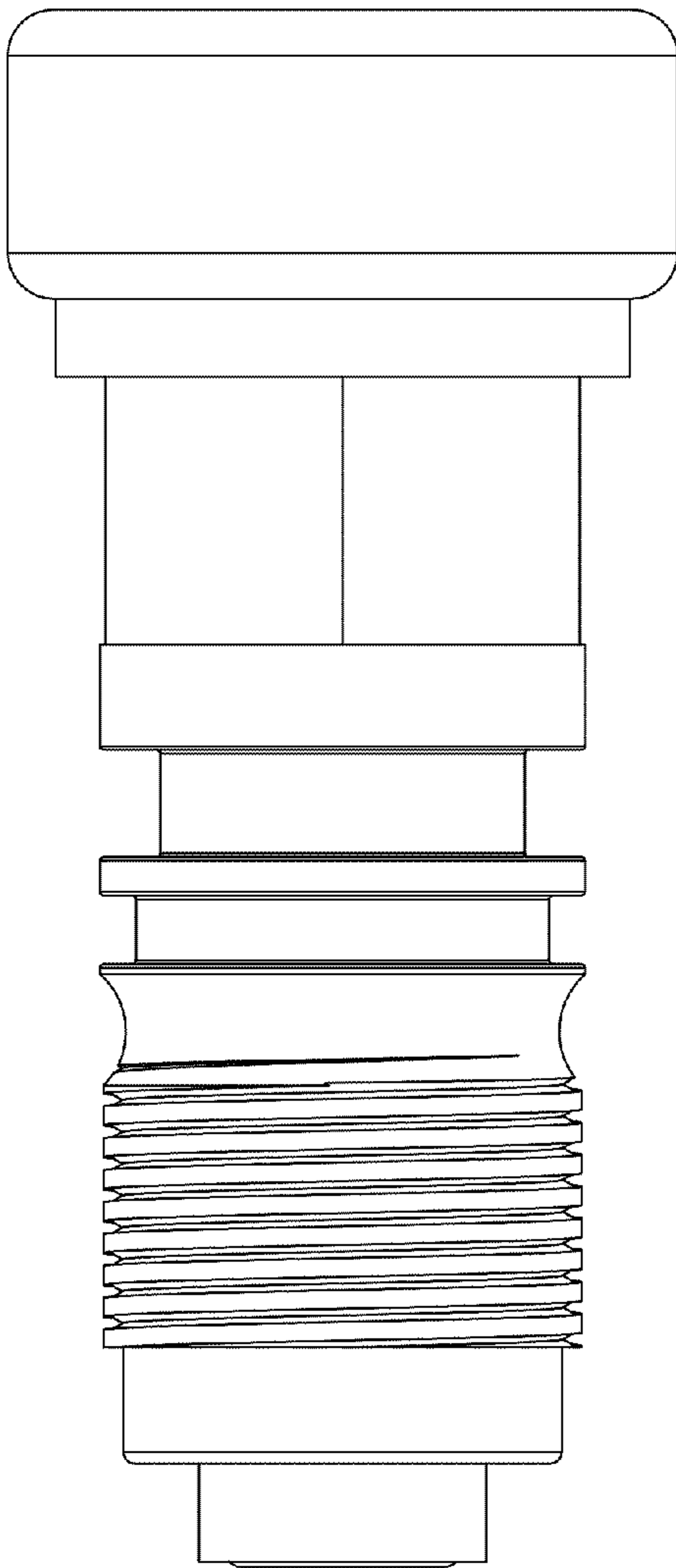
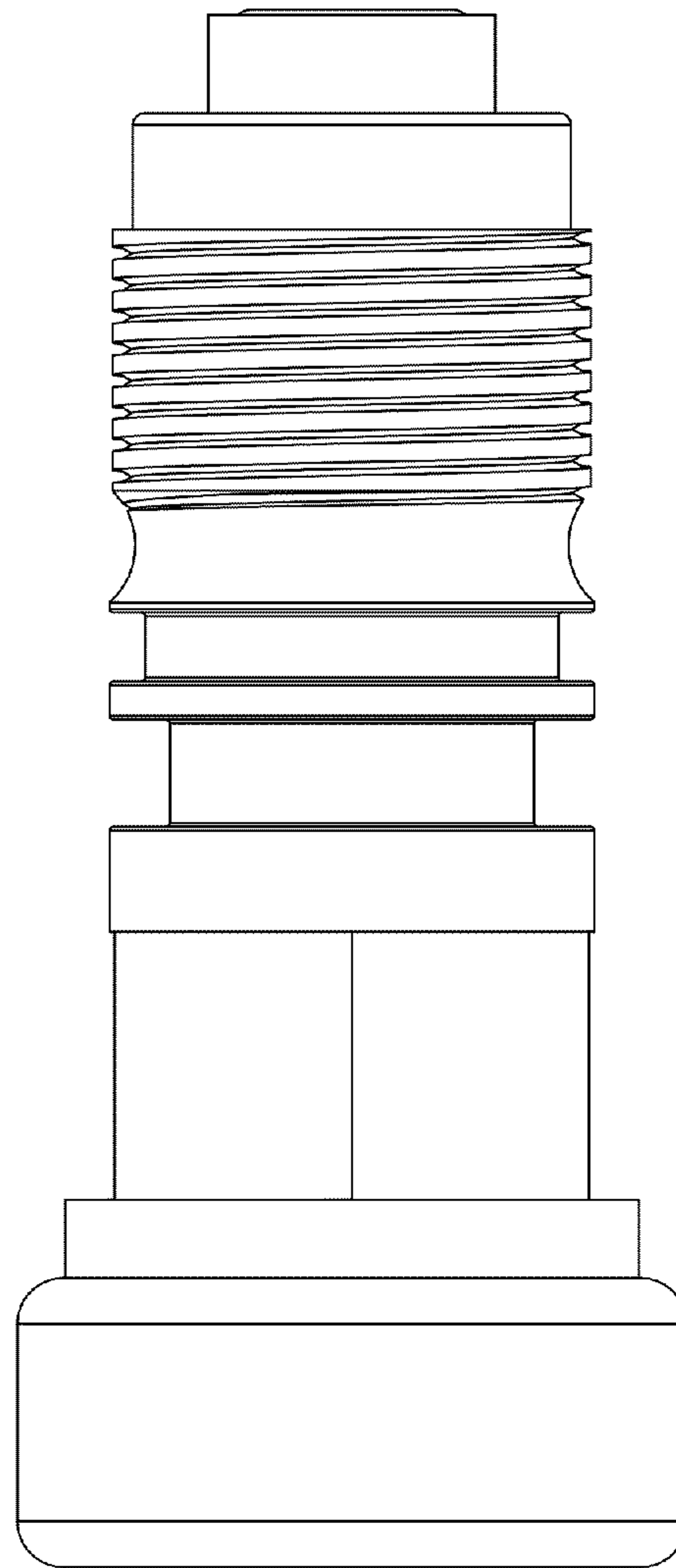


FIG. 9



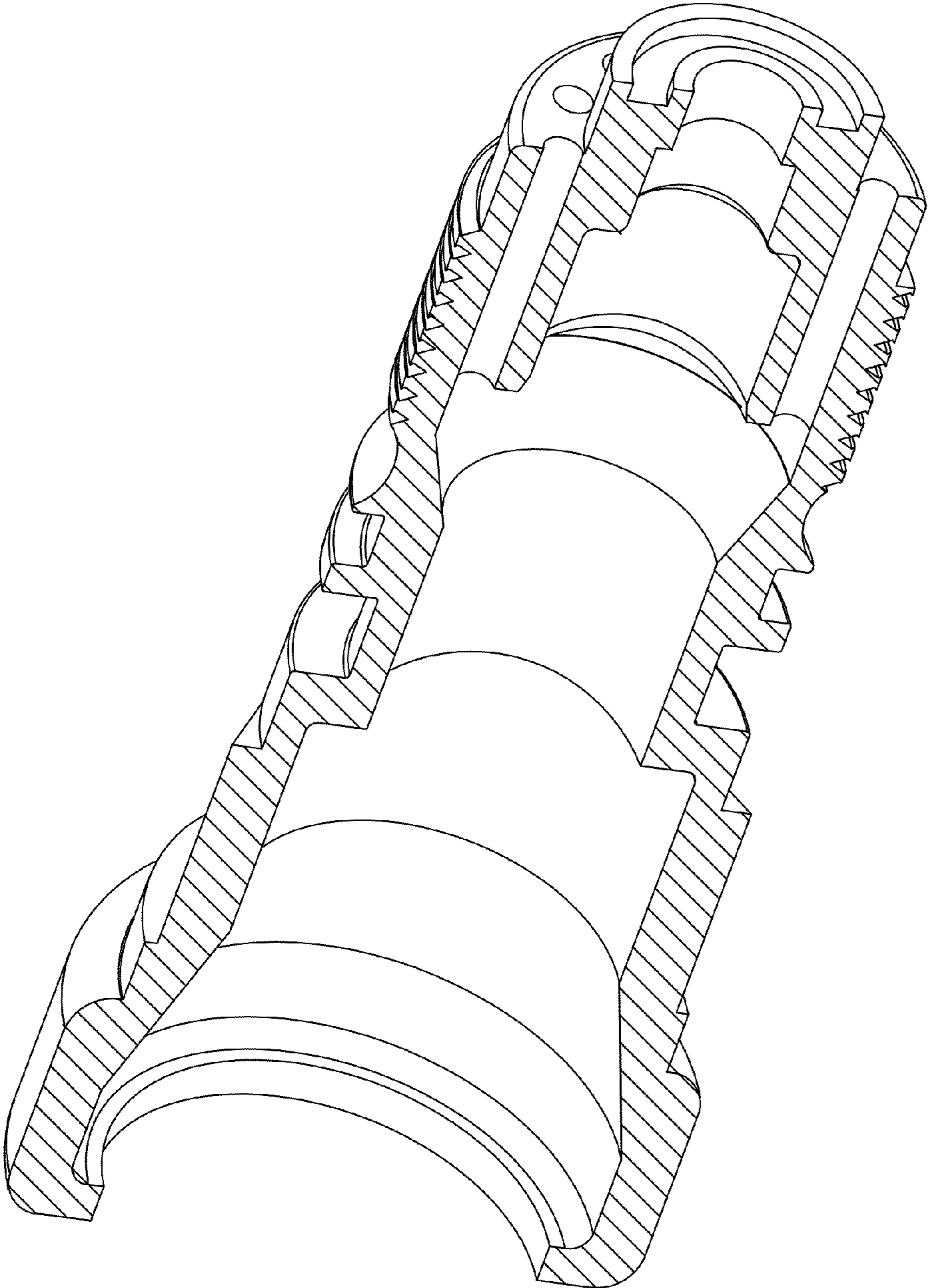


FIG. 10

UNITED STATES PATENT AND TRADEMARK OFFICE
CERTIFICATE OF CORRECTION

PATENT NO. : D758,555 S
APPLICATION NO. : 29/514285
DATED : June 7, 2016
INVENTOR(S) : Victor Van Dyke et al.

Page 1 of 1

It is certified that error appears in the above-identified patent and that said Letters Patent is hereby corrected as shown below:

On the Title Page

Item (56), Page 2 References Cited, U.S. Patent Documents, Column 1, Line 11, after "Beyer" insert:

--D711,516 08-2014 Guest, Timothy Steven--

Signed and Sealed this
Fourth Day of July, 2017



Joseph Matal
*Performing the Functions and Duties of the
Under Secretary of Commerce for Intellectual Property and
Director of the United States Patent and Trademark Office*