



US00D758554S

(12) **United States Design Patent**
Lohmann

(10) **Patent No.:** **US D758,554 S**
(45) **Date of Patent:** **** Jun. 7, 2016**

- (54) **EMERGENCY DRAIN**
- (71) Applicant: **Blucher Metal A/S, Vildbjerg (DK)**
- (72) Inventor: **Hans Lohmann, Soro (DK)**
- (73) Assignee: **Blucher Metal A/S, Vildbjerg (DK)**
- (**) Term: **14 Years**
- (21) Appl. No.: **29/512,234**
- (22) Filed: **Dec. 17, 2014**

D693,923	S *	11/2013	Hernandez	D24/129
D700,299	S *	2/2014	Mjelde	D23/261
D701,293	S *	3/2014	Mjelde	D23/261
D715,410	S *	10/2014	Lohmann	D23/259
D729,908	S *	5/2015	Lohmann	D23/261
2004/0163165	A1 *	8/2004	Ortiz et al.	E03D 11/16 4/252.5
2007/0102450	A1 *	5/2007	Stiers	B01F 11/04 222/181.1
2010/0000930	A1 *	1/2010	Ahuja	B01D 35/153 210/248
2011/0114778	A1 *	5/2011	Andersson	A47K 10/40 242/160.1
2013/0048312	A1 *	2/2013	Walls	E21B 43/0122 166/386

Related U.S. Application Data

- (62) Division of application No. 29/432,754, filed on Sep. 20, 2012, now Pat. No. Des. 729,908.
- (51) **LOC (10) Cl.** **23-01**
- (52) **U.S. Cl.**
USPC **D23/261**
- (58) **Field of Classification Search**
USPC D23/259-266; D24/129; D8/387
CPC B01D 35/153; D06F 1/00; E03C 1/33;
E03C 1/24; E03C 1/23; E03D 9/031; F16K
47/08; F16L 55/132
See application file for complete search history.

References Cited

U.S. PATENT DOCUMENTS

D235,342	S *	6/1975	Otto	D23/260
D235,343	S *	6/1975	Otto	D23/262
D258,379	S *	2/1981	Joseph	166/241.6
D270,090	S *	8/1983	Jennings	D23/262
D370,716	S *	6/1996	Menzies	D23/261
5,560,163	A *	10/1996	Carlton	F16L 25/0045 285/219
D375,786	S *	11/1996	Morris	D23/260
D453,815	S *	2/2002	Hoening	D23/259
D455,819	S *	4/2002	Hoening	D23/259
D596,487	S *	7/2009	Batton	D9/447
D629,874	S *	12/2010	Hermans	D23/260
D682,690	S *	5/2013	Bowes	D9/439
D688,283	S *	8/2013	Choi	D15/152

OTHER PUBLICATIONS

U.S. Appl. No. 29/432,754, filed Sep. 20, 2012, Lohmann.
Emergency Drain Stand Pipe, Products, blucher.com, Searched Aug. 28, 2014, <http://www.blucher.com/product-view/ean/5705499132991/>, 1 page.

(Continued)

Primary Examiner — John Windmuller
Assistant Examiner — Steven Czyz
(74) *Attorney, Agent, or Firm* — Sheridan Ross P.C.

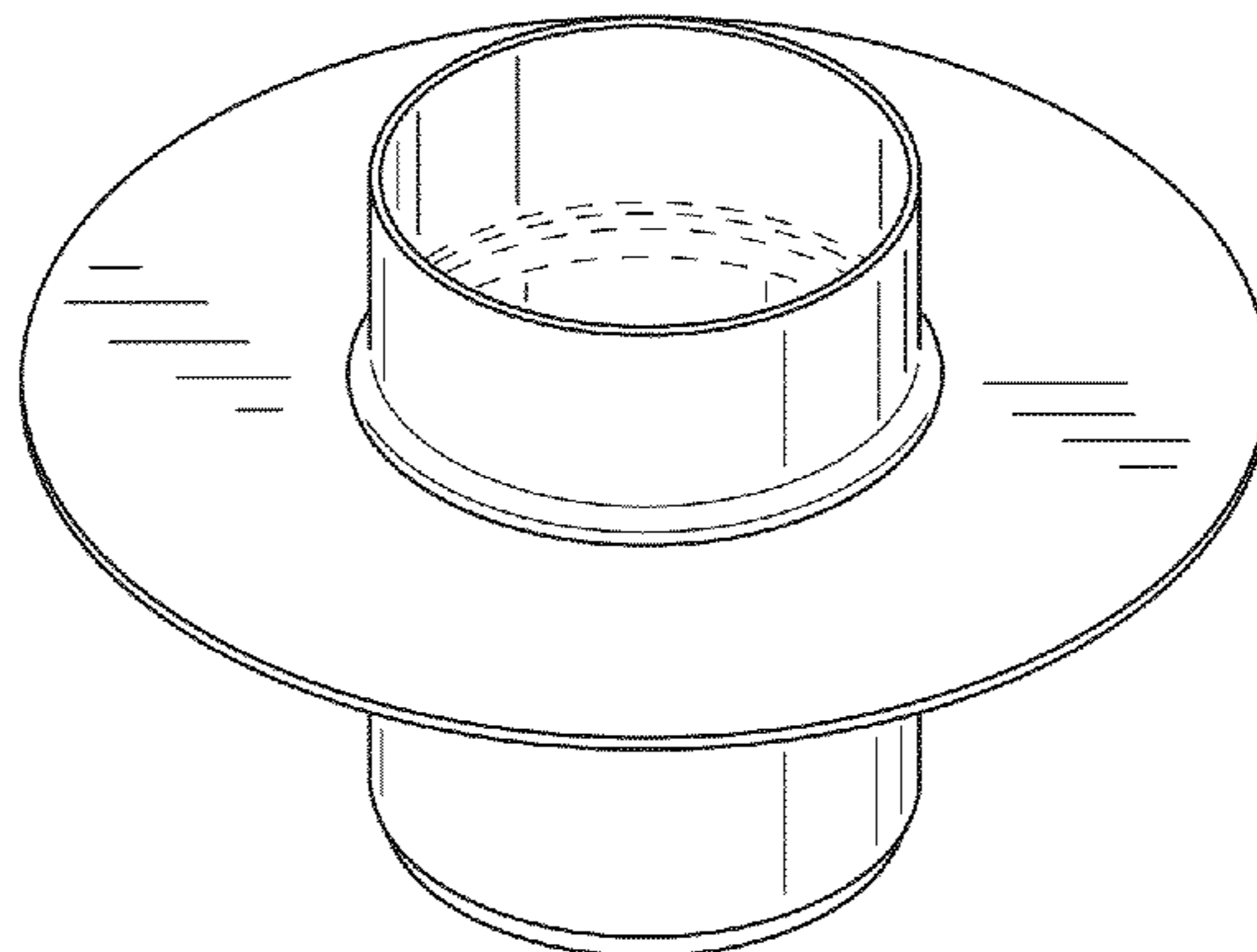
(57) **CLAIM**

The ornamental design for an emergency drain, as shown and described.

DESCRIPTION

FIG. 1 is a perspective view of an emergency drain showing my new design in a first embodiment;
FIG. 2 is a front elevation view of FIG. 1, a rear elevation view being a mirror image thereof;
FIG. 3 is a top plan view of FIG. 1;
FIG. 4 is a left side view of FIG. 1, a right side view being a mirror image thereof; and,
FIG. 5 is a bottom plan view of FIG. 1.
The broken lines depict portions of the article that form no part of the claimed design.

1 Claim, 3 Drawing Sheets



(56)

References Cited

OTHER PUBLICATIONS

Emergency Drain Stand Pipe Type, Roof Drain Systems, Blucher Online Catalogue, Searched Aug. 28, 2014, Brohttp://www.blucher.com/fileadmin/user_upload/.com/Product_catalogs/CURoofCatalogue.pdf, 1 page.

Emergency Drain Stand Pipe, Pipe Fittings & Flanges, hellotrade.com, Searched Aug. 28, 2014, http://www.blucher.com/fileadmin/user_upload/.com/Product_catalogs/CURoofCatalog.pdf, 4 pages.
Official Action for U.S. Appl. No. 29/432,754, mailed Sep. 24, 2014, 7 pages Restriction Requirement.

* cited by examiner

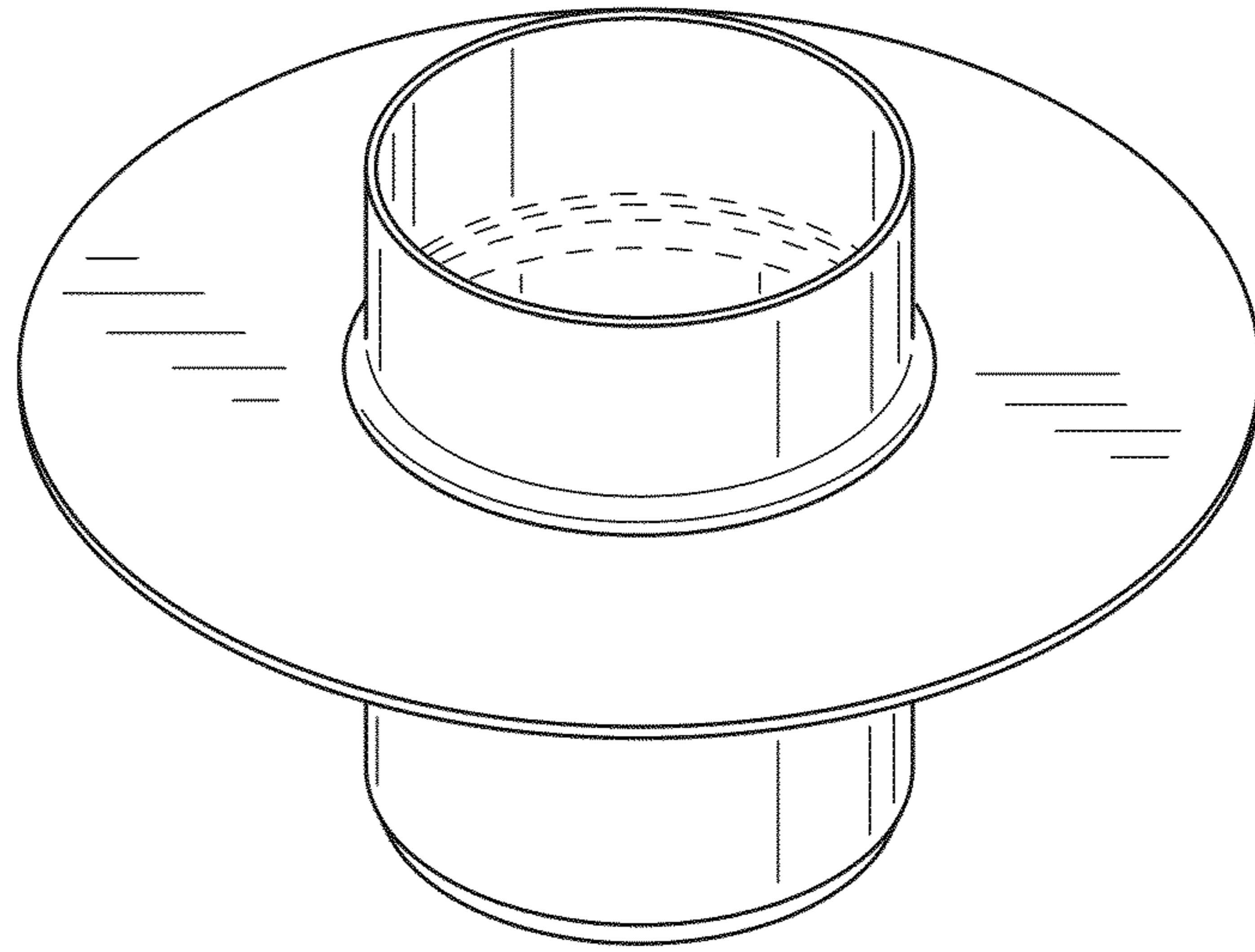


FIG.1

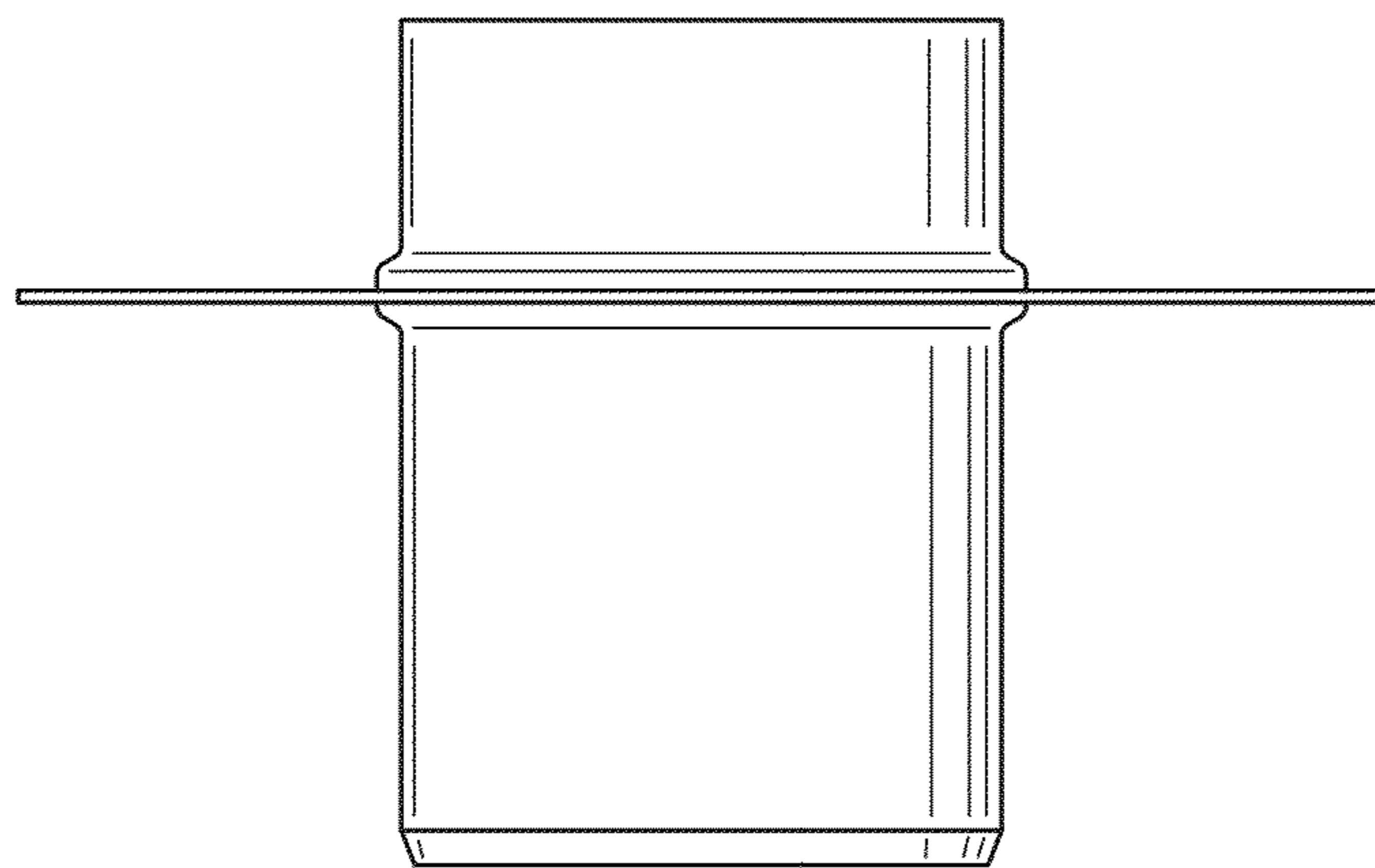


FIG.2

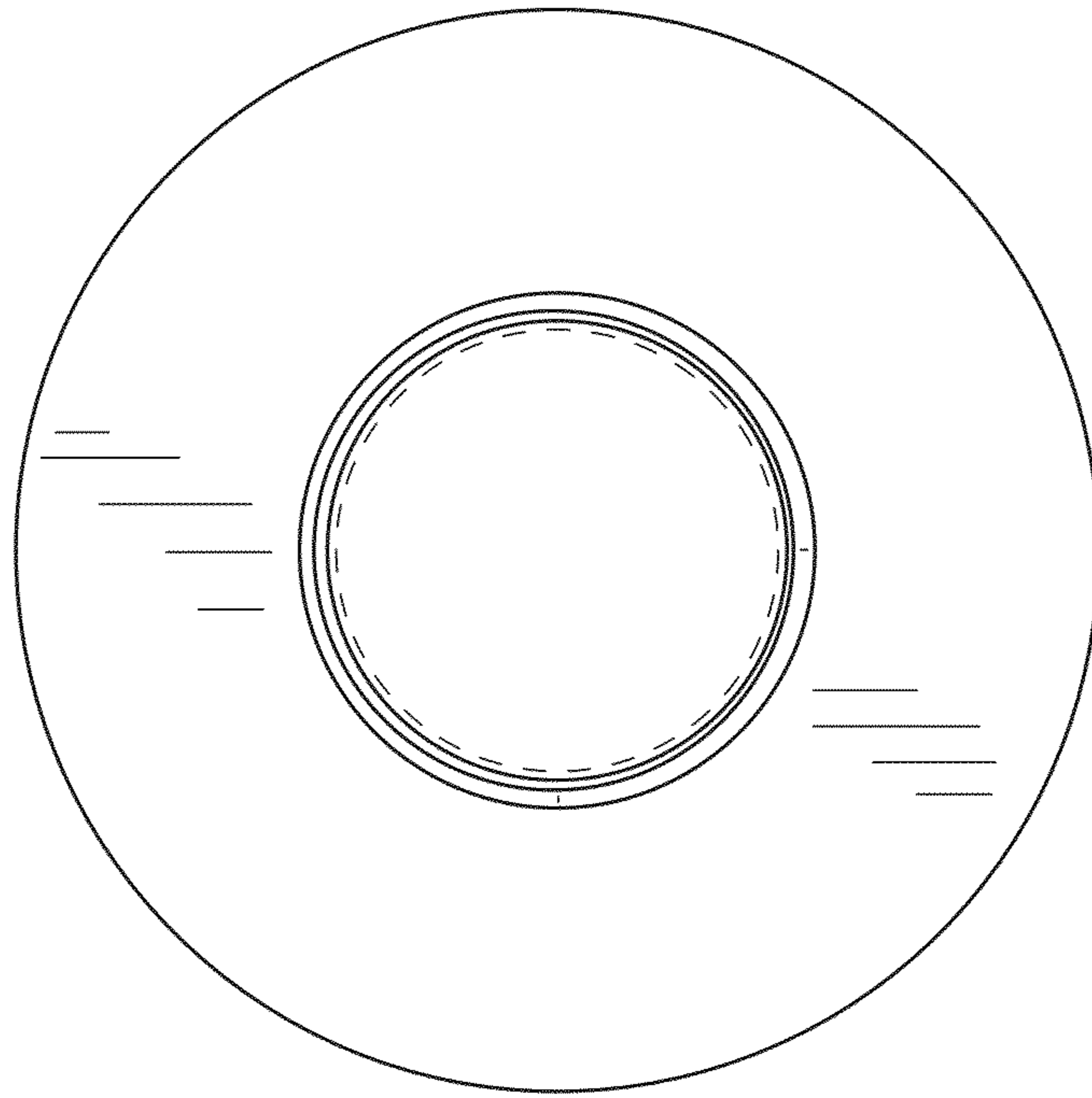


FIG.3

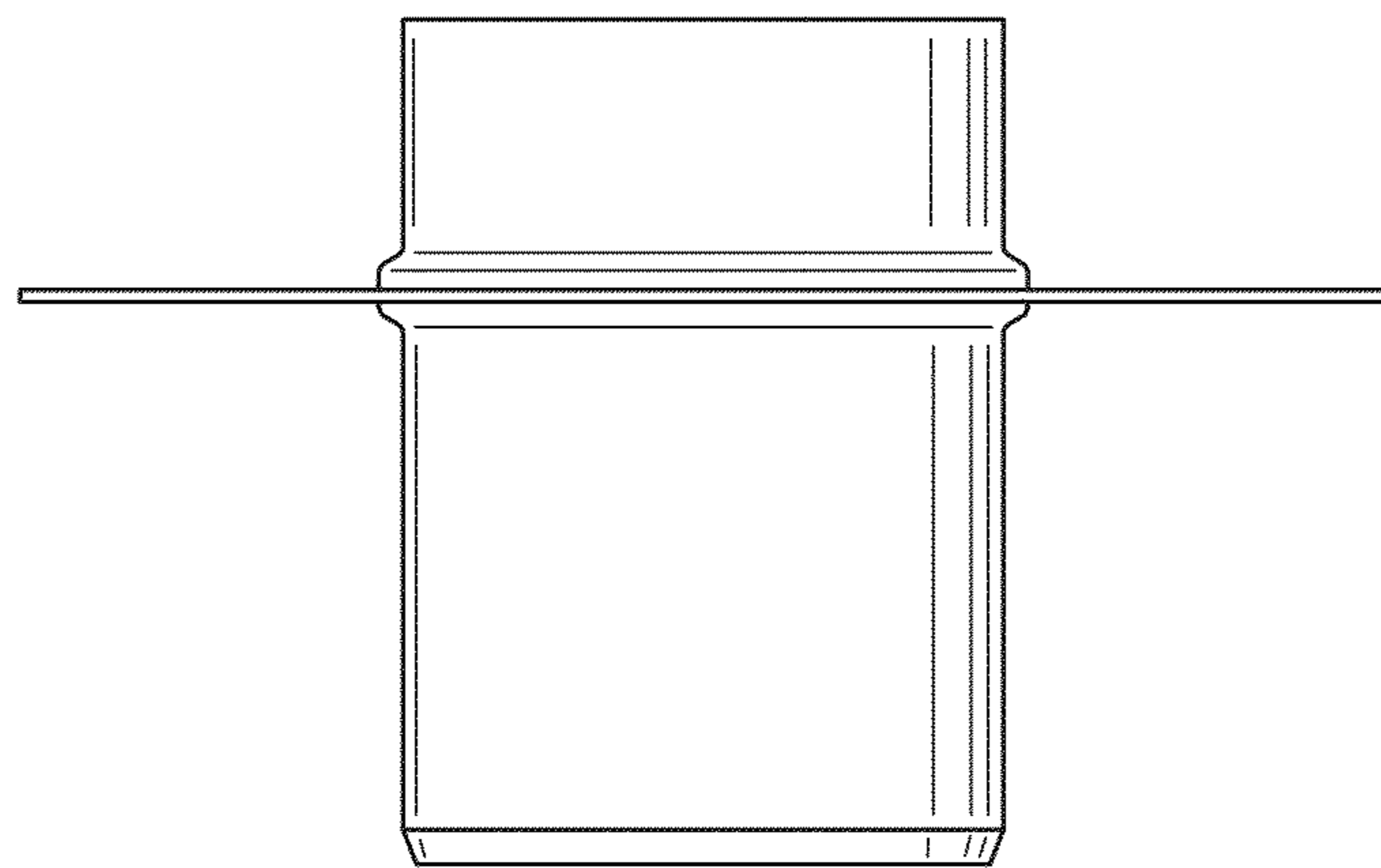


FIG.4

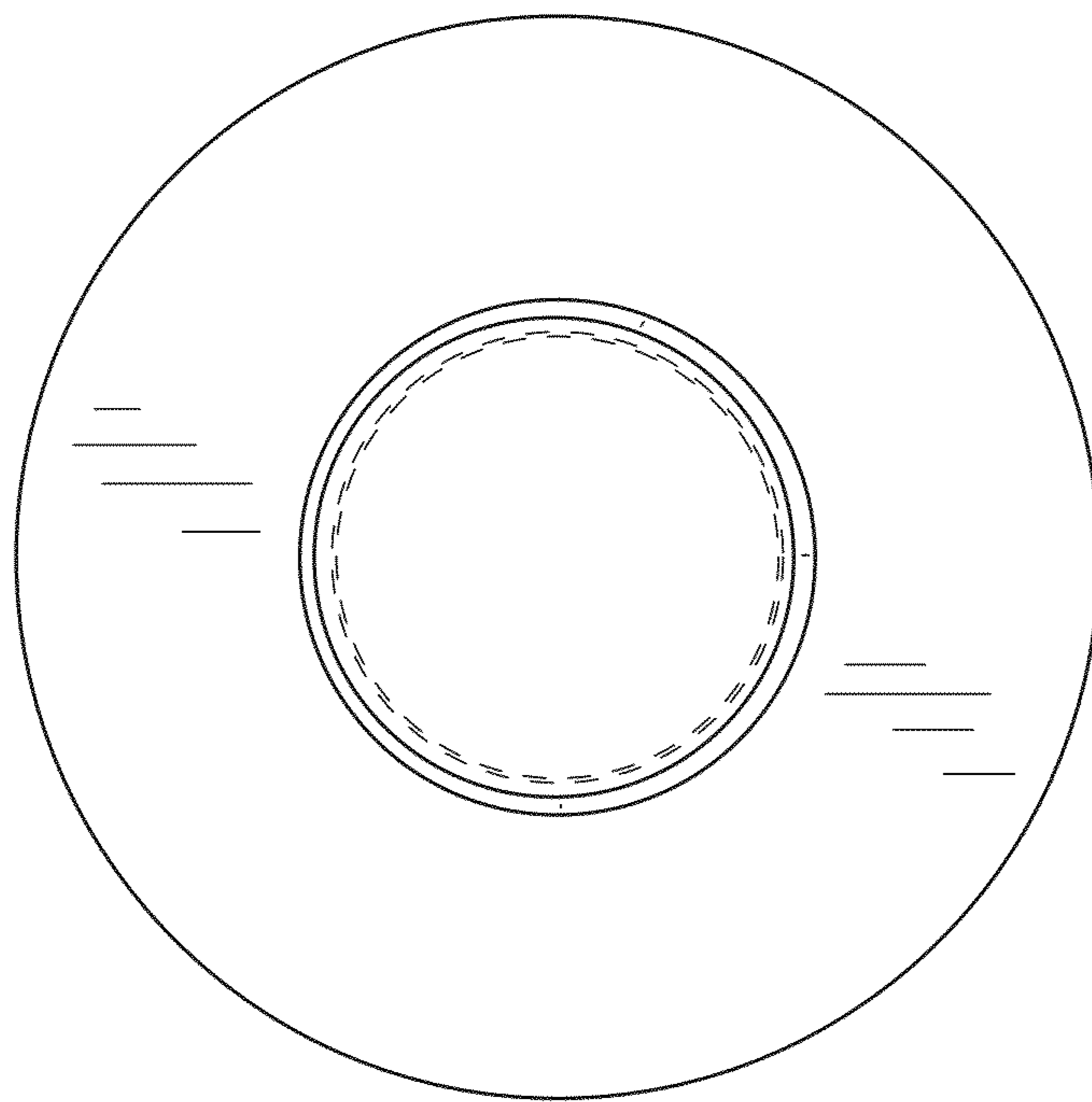


FIG.5