



US00D758547S

(12) **United States Design Patent**
Flowers et al.

(10) **Patent No.:** **US D758,547 S**
(45) **Date of Patent:** **** Jun. 7, 2016**

(54) **BASIN MIXER**

(56) **References Cited**

(71) Applicant: **Grohe AG**, Hemer (DE)

U.S. PATENT DOCUMENTS

(72) Inventors: **Paul Flowers**, London (GB); **Jochen Allard**, Menden (DE)

| | | | | | |
|------------|---|---------|------------|-------|---------|
| D363,764 S | * | 10/1995 | Starck | | D23/252 |
| D601,682 S | * | 10/2009 | Schoenherr | | D23/328 |
| D673,651 S | * | 1/2013 | Uhl | | D23/238 |
| D713,012 S | * | 9/2014 | Citterio | | D23/252 |
| D721,791 S | * | 1/2015 | Bahler | | D23/252 |

(73) Assignee: **Grohe AG**, Hemer (DE)

* cited by examiner

(**) Term: **14 Years**

Primary Examiner — Robert Delehanty

(21) Appl. No.: **29/524,354**

(74) *Attorney, Agent, or Firm* — Muncy, Geissler, Olds & Lowe, P.C.

(22) Filed: **Apr. 20, 2015**

(57) **CLAIM**

The ornamental design for a basin mixer, as shown and described.

(30) **Foreign Application Priority Data**

DESCRIPTION

Oct. 20, 2014 (EM) 002560276-0008

FIG. 1 is a front perspective view of a basin mixer according to the present invention.

(51) **LOC (10) Cl.** **23-01**

FIG. 2 is a left side view of the basin mixer of FIG. 1.

(52) **U.S. Cl.**

FIG. 3 is a right side view of the basin mixer of FIG. 1.

USPC **D23/250**

FIG. 4 is a front view of the basin mixer of FIG. 1.

(58) **Field of Classification Search**

FIG. 5 is a rear view of the basin mixer of FIG. 1.

USPC D23/238–243, 249–250, 252

FIG. 6 is a top view of the basin mixer of FIG. 1; and,

CPC E03C 1/04; E03C 1/0401; E03C 1/0402;

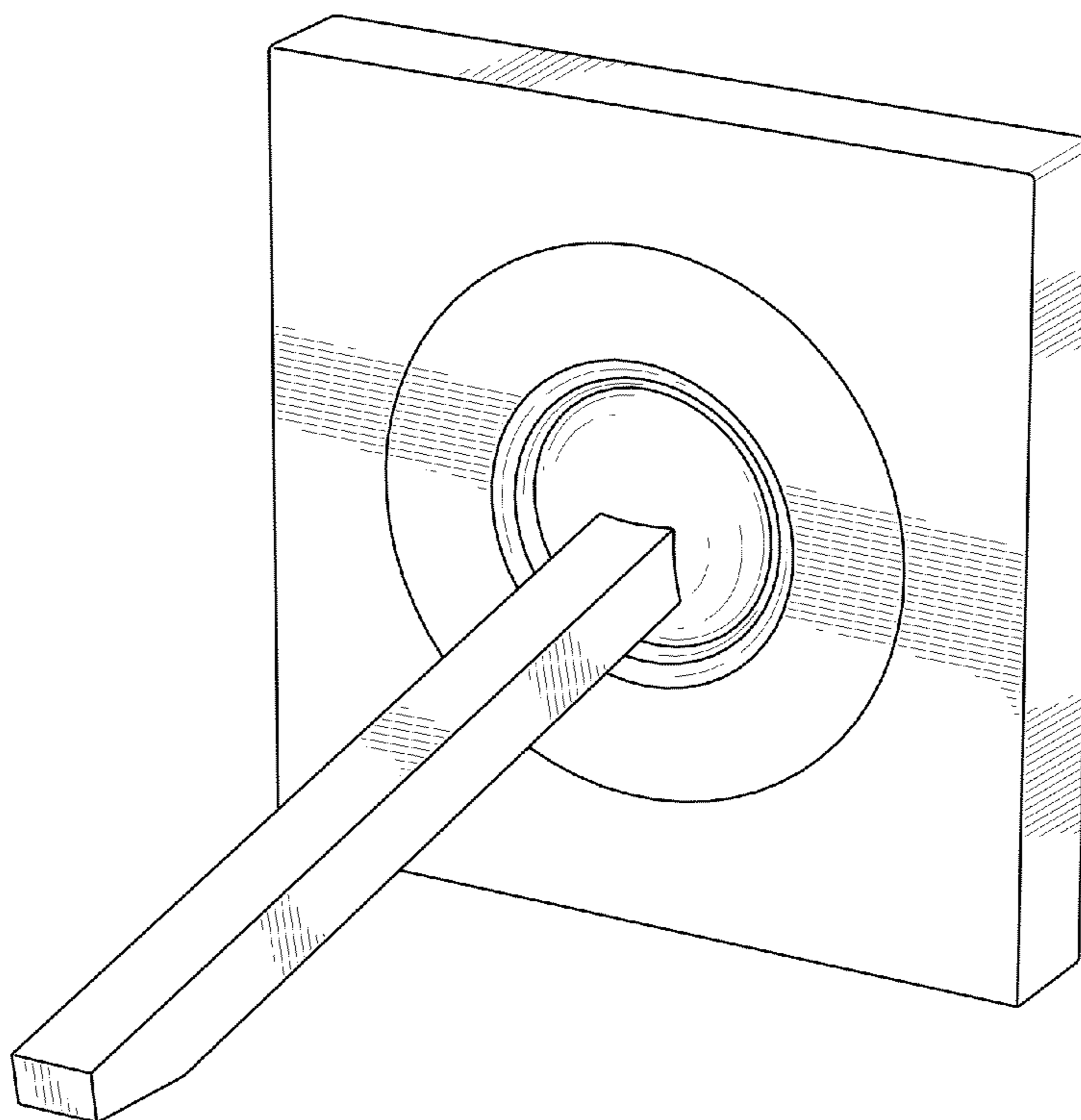
FIG. 7 is a bottom view of the basin mixer of FIG. 1.

E03C 1/0404

The dashed lines illustrate environment that does not form a part of the present invention, and no claim is made to the material illustrated with dashed lines.

See application file for complete search history.

1 Claim, 7 Drawing Sheets



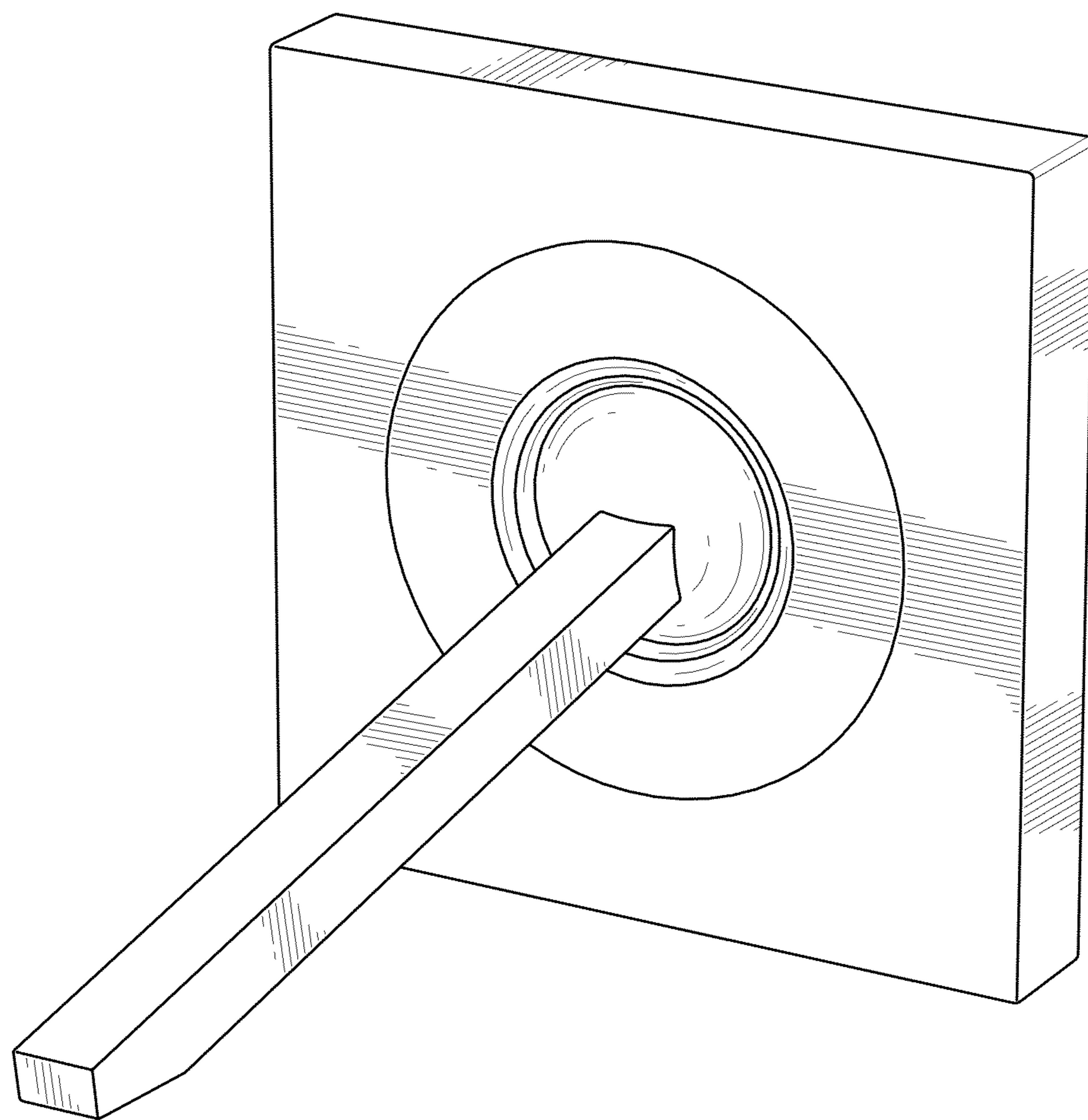


FIG.1

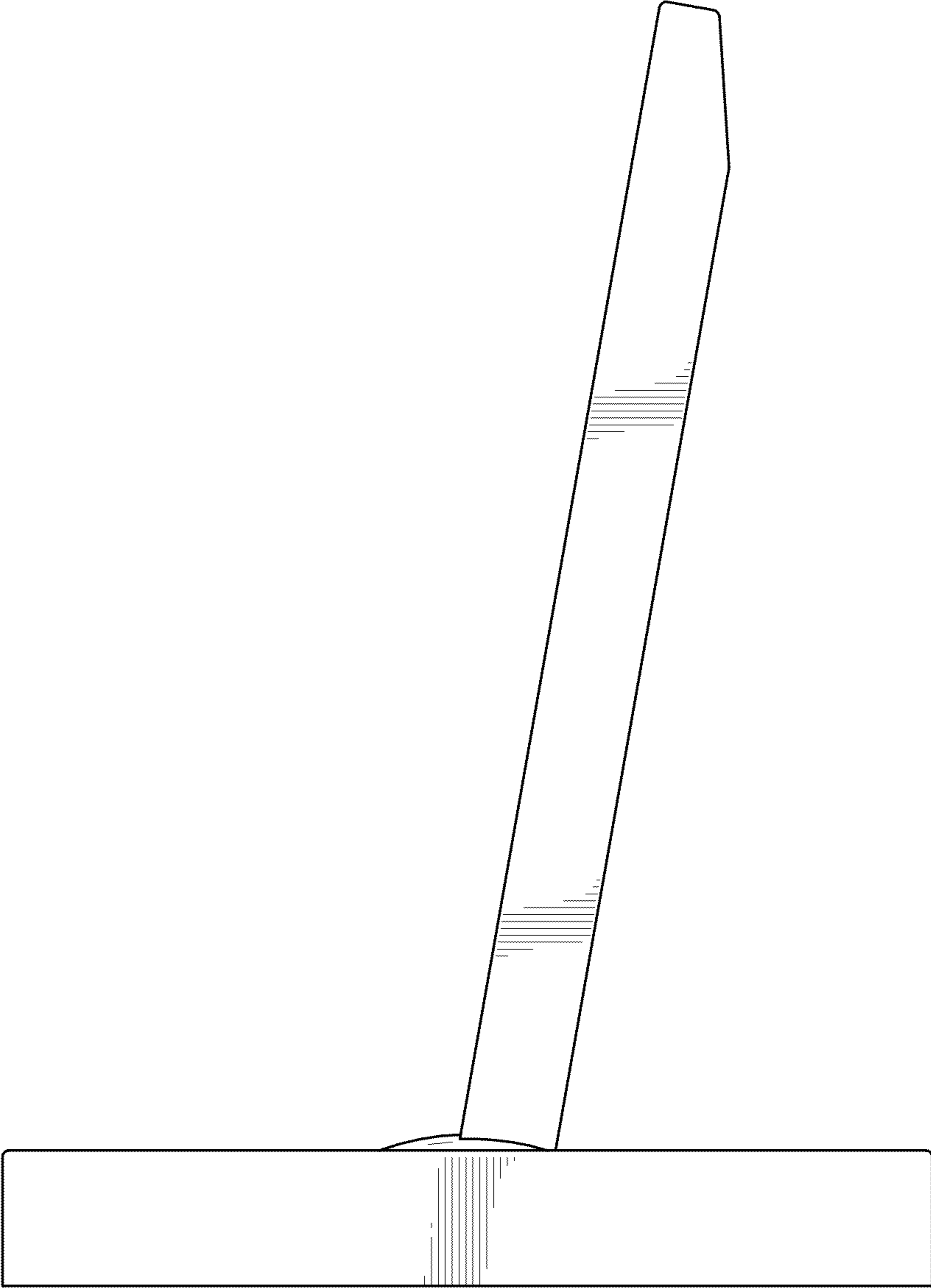


FIG.2

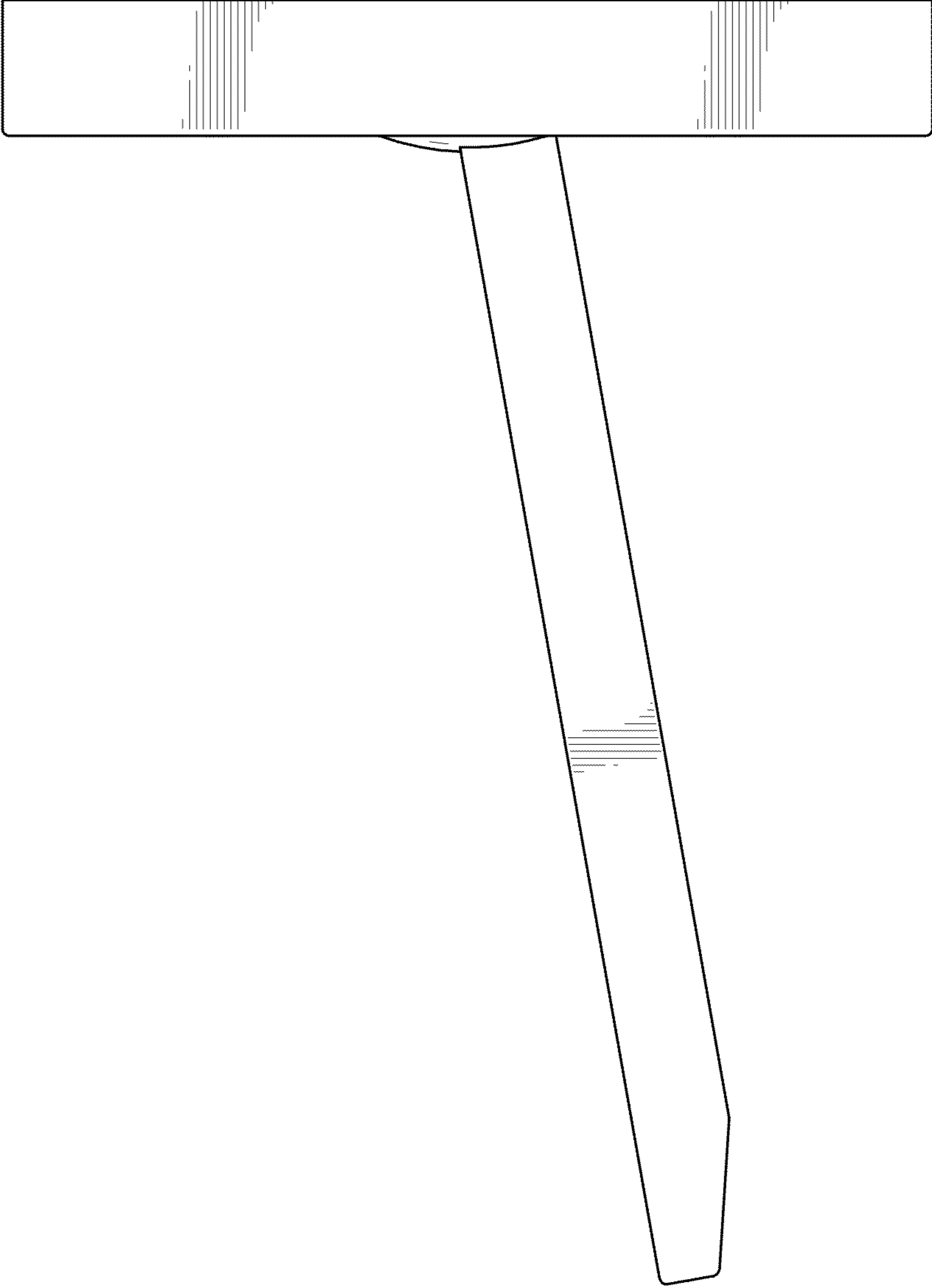


FIG.3

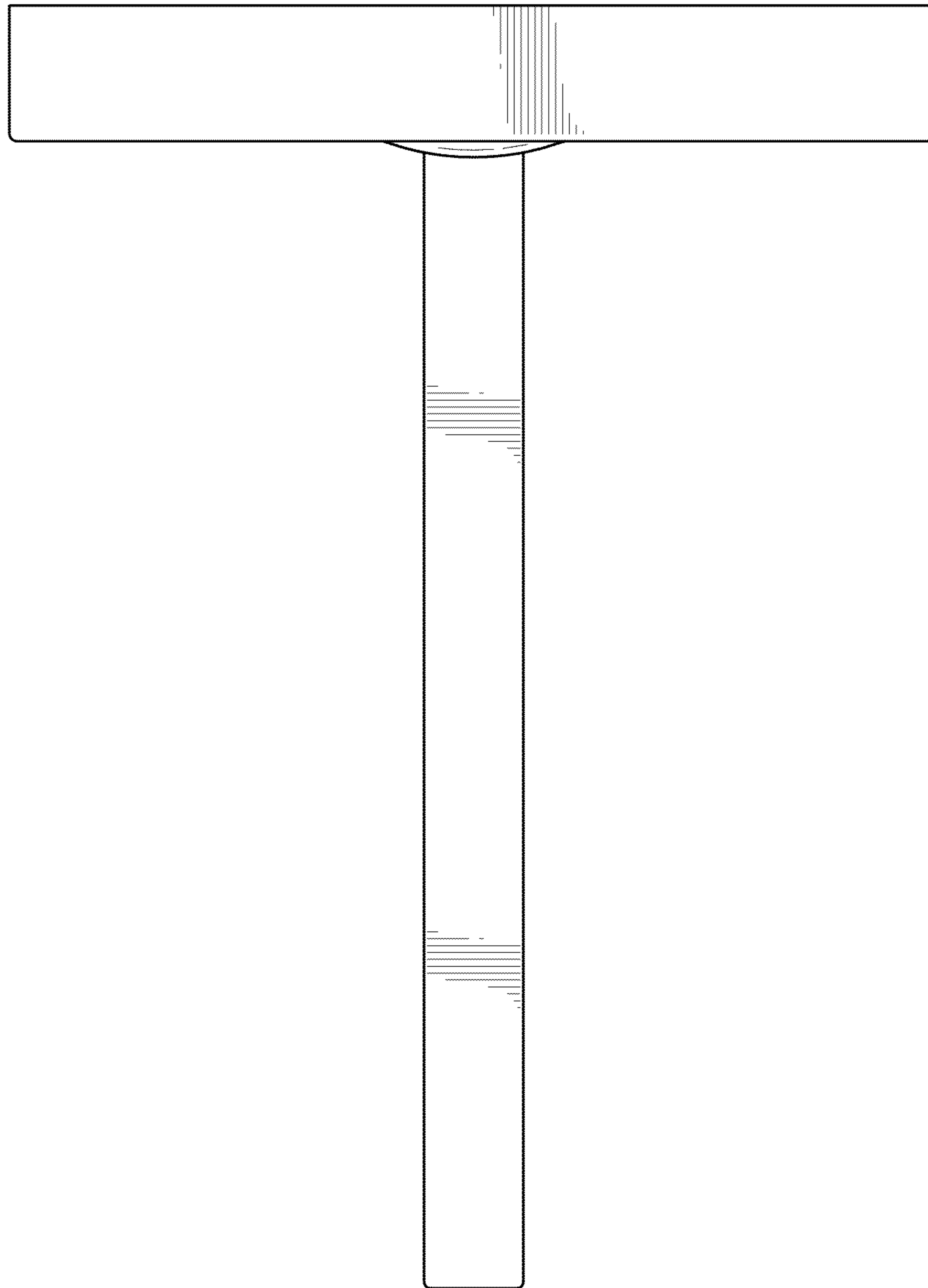


FIG.4

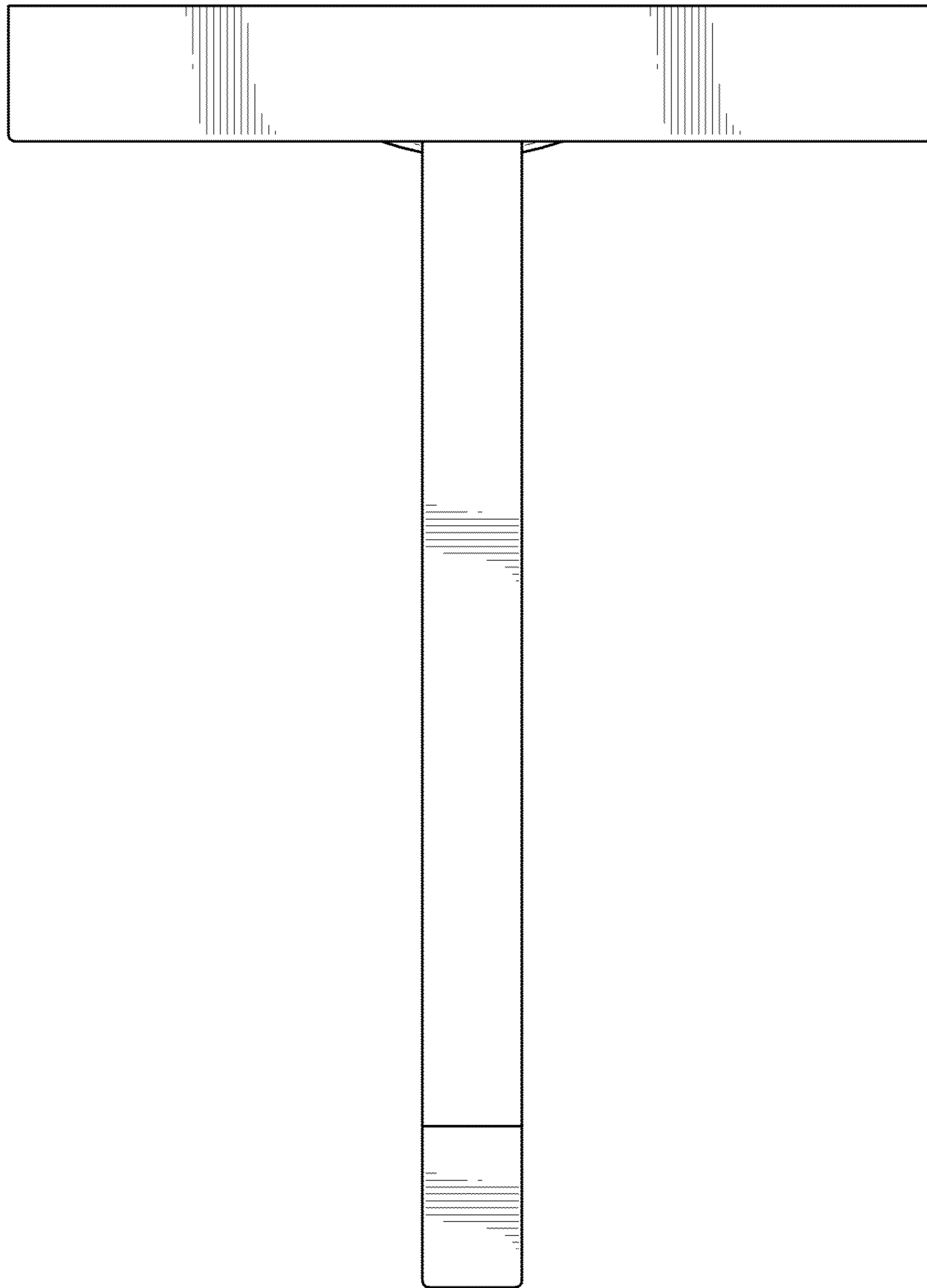


FIG. 5

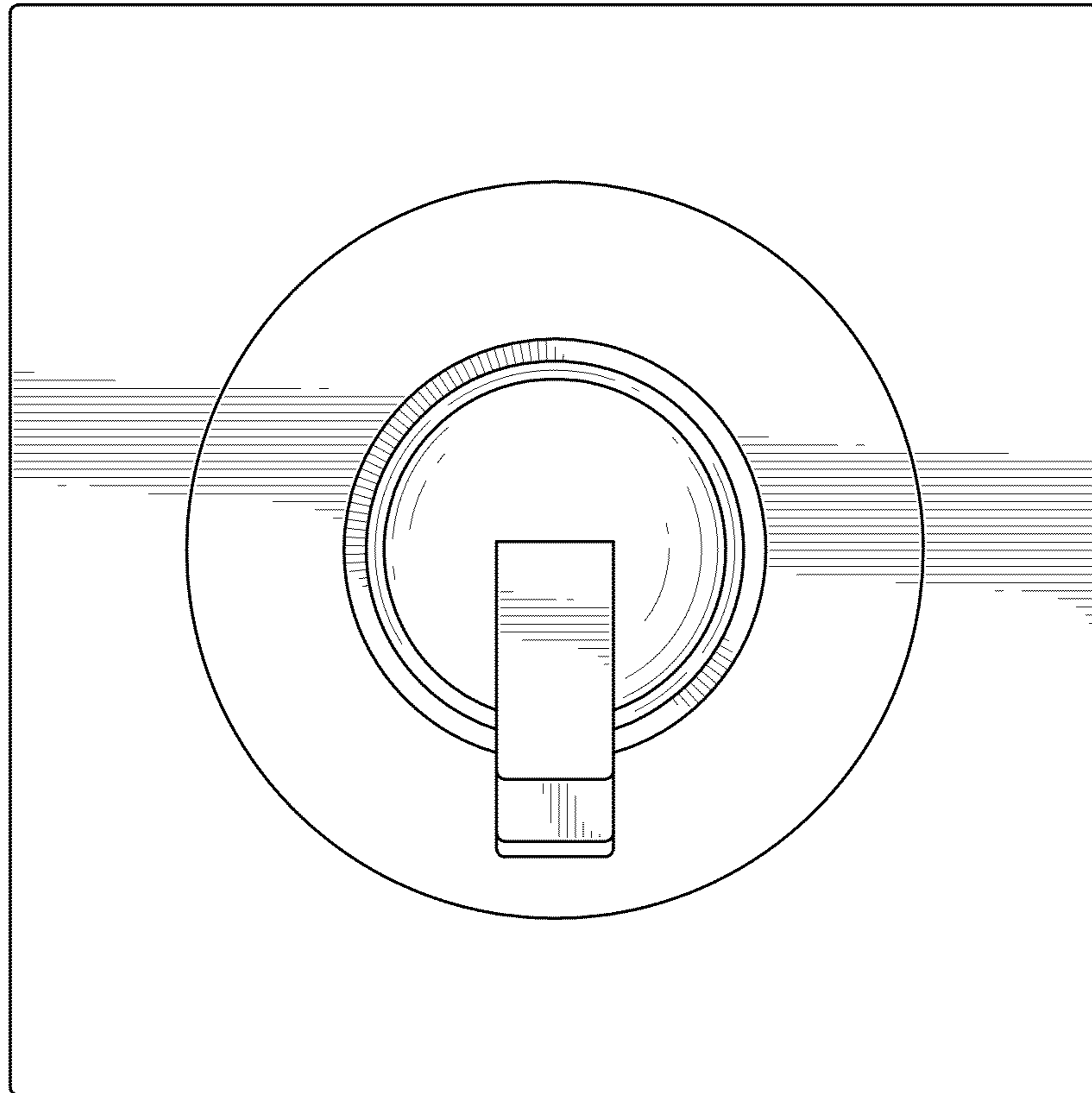


FIG.6

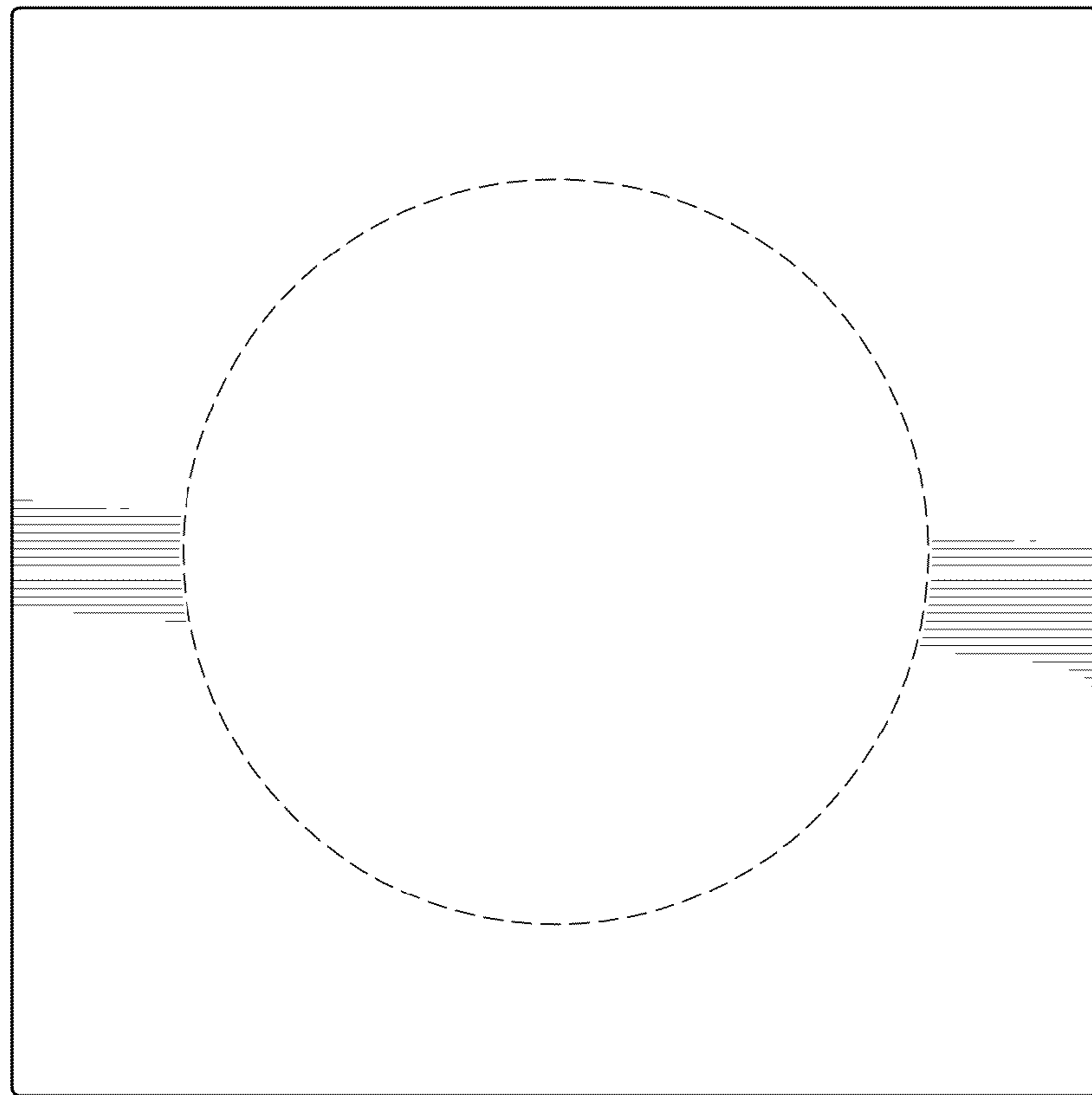


FIG.7