



US00D758545S

(12) **United States Design Patent**  
**Yabu et al.**

(10) **Patent No.:** **US D758,545 S**  
(45) **Date of Patent:** **\*\* Jun. 7, 2016**

(54) **SINGLE LEVER KITCHEN MIXER**

(71) Applicants: **George Yabu**, New York, NY (US);  
**Glen Pushelberg**, New York, NY (US)

(72) Inventors: **George Yabu**, New York, NY (US);  
**Glen Pushelberg**, New York, NY (US)

(73) Assignee: **COOPER AND GRAHAM, INC.**, SW  
Ranches, FL (US)

(\*\*) Term: **15 Years**

(21) Appl. No.: **29/532,669**

(22) Filed: **Jul. 9, 2015**

(51) **LOC (10) Cl.** ..... **23-02**

(52) **U.S. Cl.**  
USPC ..... **D23/238**

(58) **Field of Classification Search**  
USPC ..... D23/238-243, 249-250, 252, 255, 257  
CPC ..... E03C 1/04; E03C 1/0401; E03C 1/0402;  
E03C 1/0404; F16K 31/602; F16K 31/605;  
F16K 31/607

See application file for complete search history.

(56) **References Cited**

U.S. PATENT DOCUMENTS

D320,259 S *	9/1991	Delepine .....	D23/238
D592,733 S *	5/2009	Lammel .....	D23/255
D635,648 S *	4/2011	Schoenherr .....	D23/255
D643,095 S *	8/2011	Matsuura .....	D23/242

\* cited by examiner

*Primary Examiner* — Robert Delehanty

(74) *Attorney, Agent, or Firm* — Malloy & Malloy, P.L.

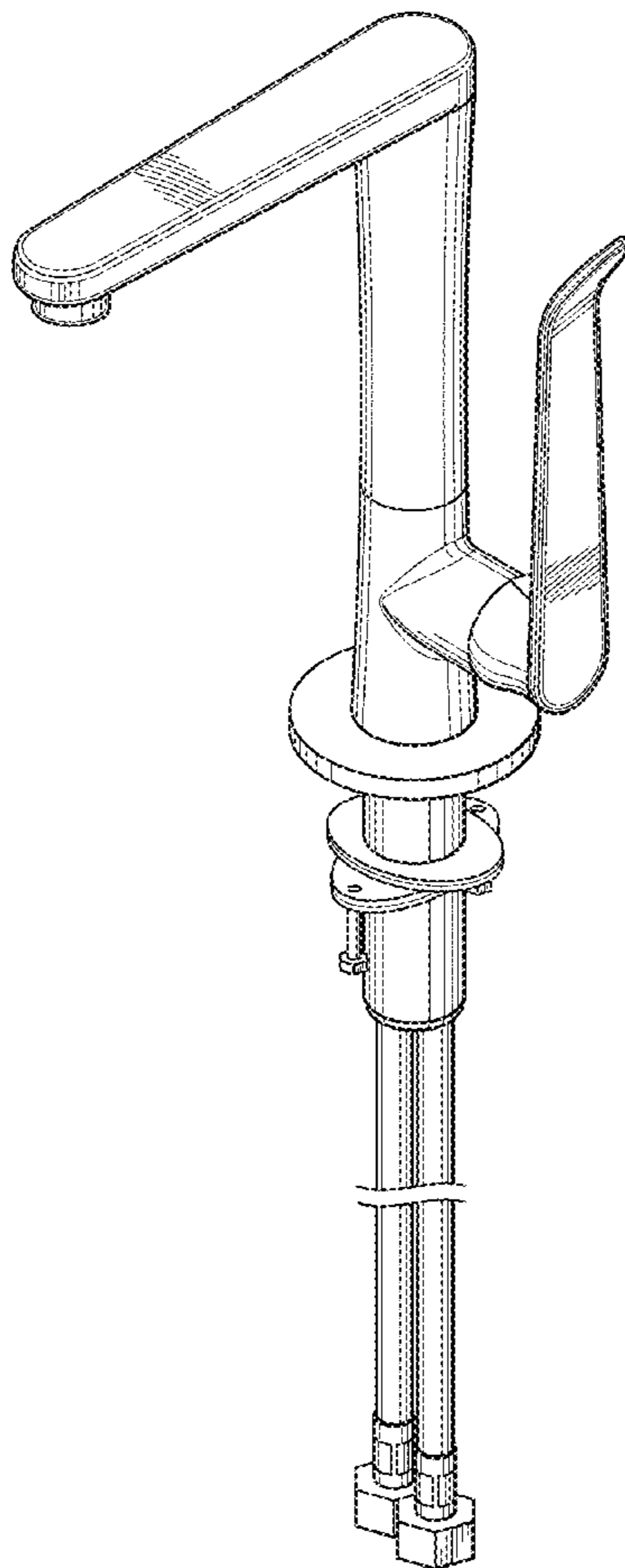
(57) **CLAIM**

The ornamental design for single lever kitchen mixer, as shown and described.

**DESCRIPTION**

FIG. 1 is a front perspective view illustrating my design for a single lever kitchen mixer;  
FIG. 2 is a front plan view thereof;  
FIG. 3 is a left side view thereof;  
FIG. 4 is a top plan view thereof;  
FIG. 5 is a right side view thereof;  
FIG. 6 is a bottom plan view thereof; and,  
FIG. 7 is a rear plan view thereof.

**1 Claim, 7 Drawing Sheets**



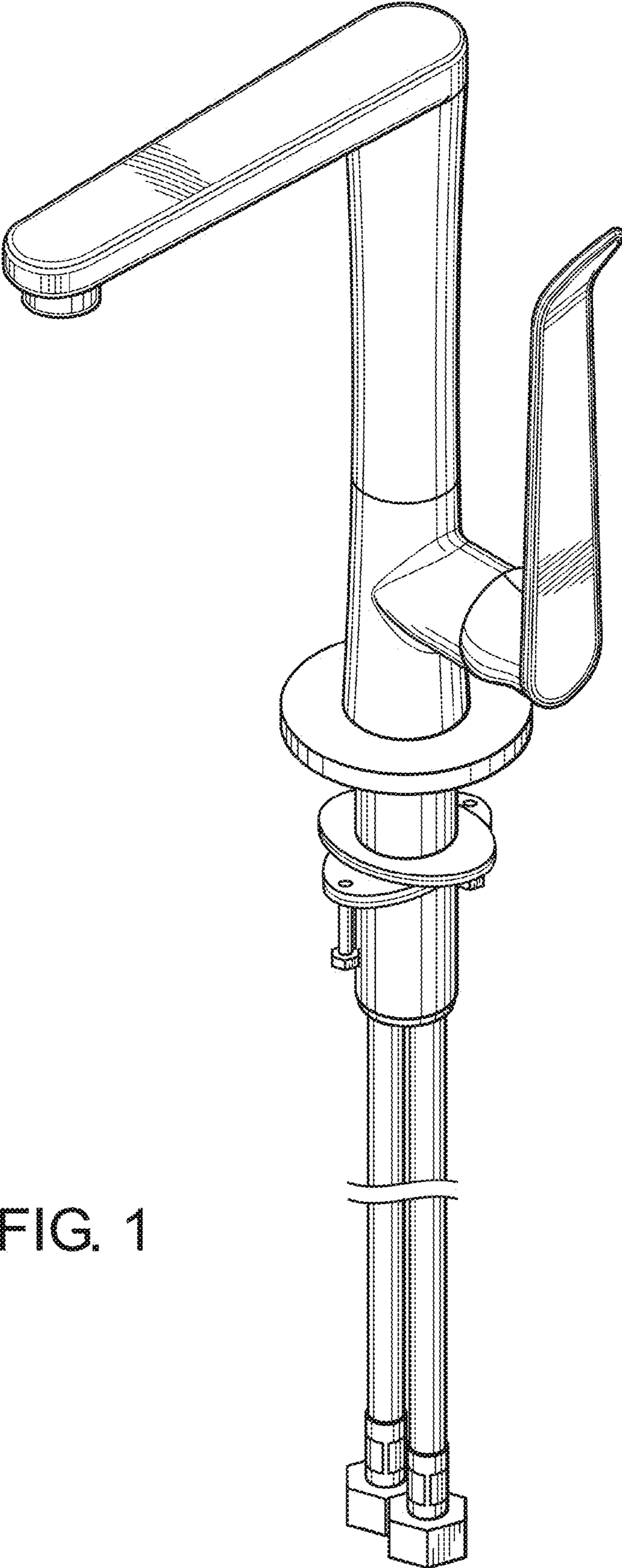


FIG. 1

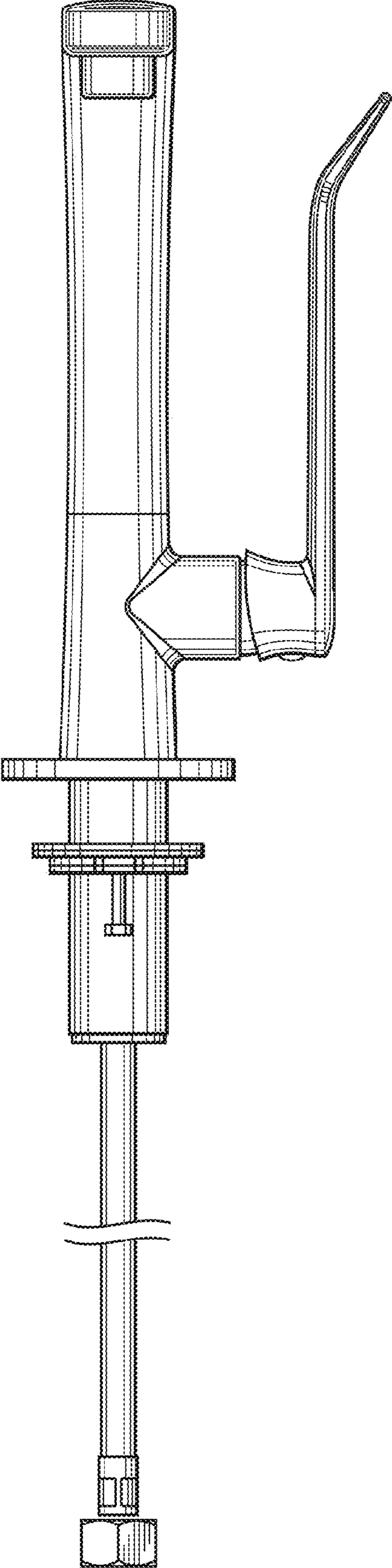


FIG. 2

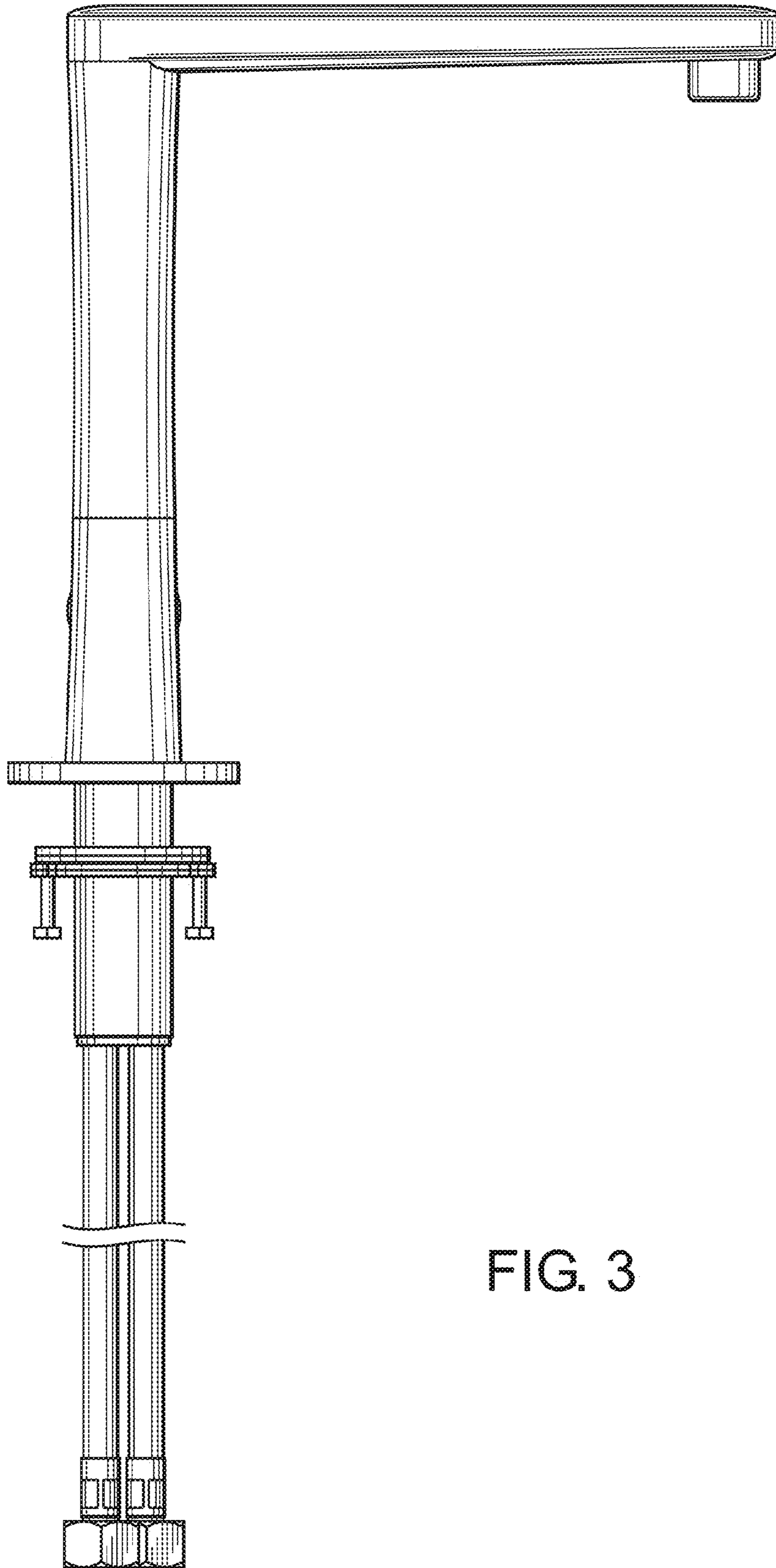


FIG. 3

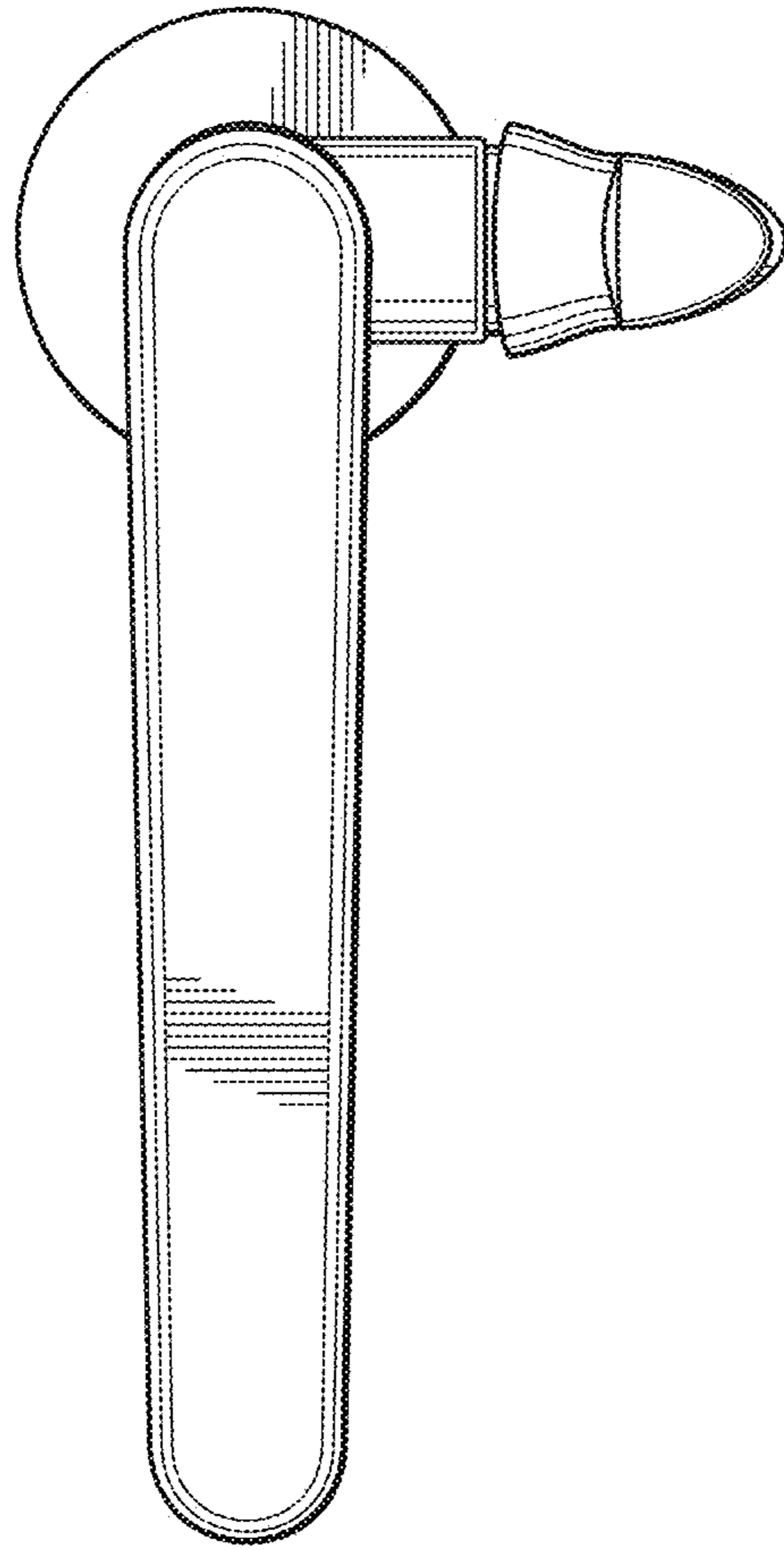


FIG. 4

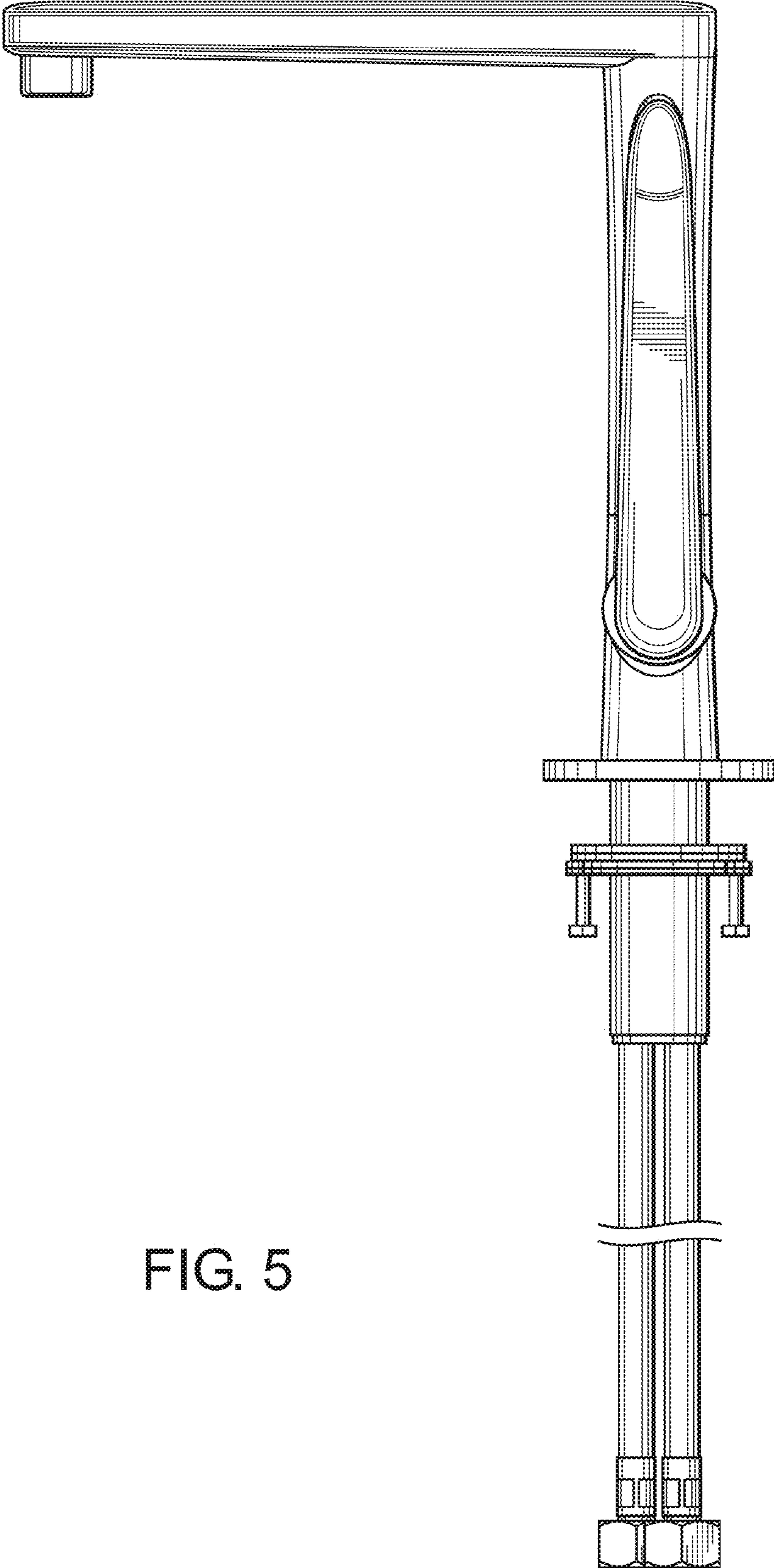


FIG. 5

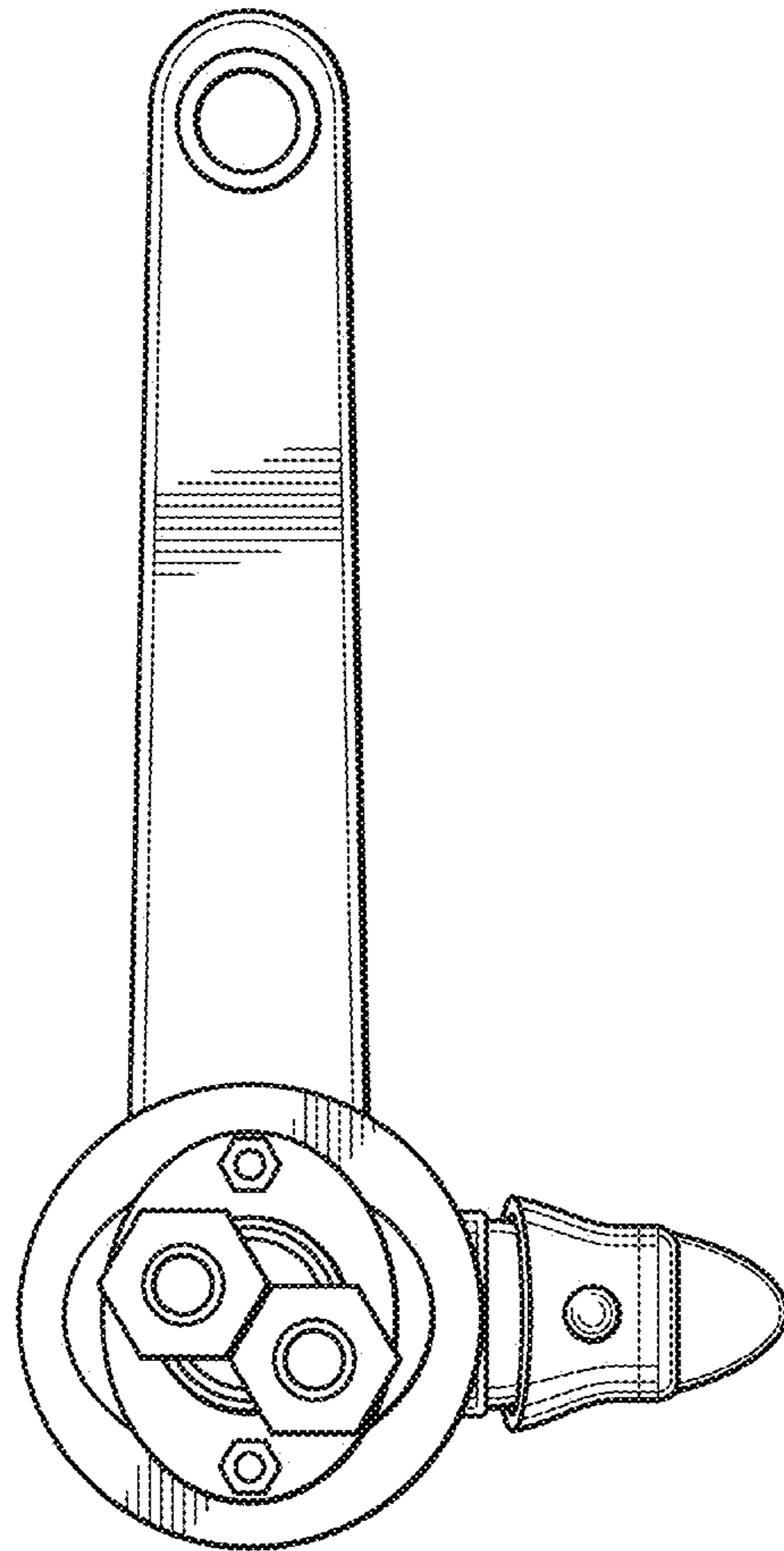


FIG. 6

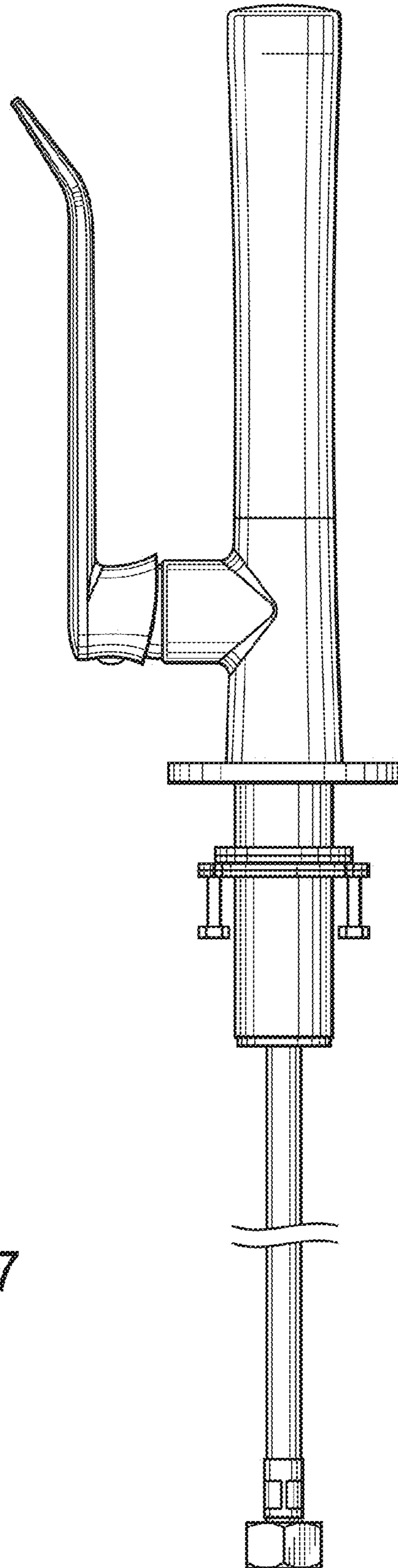


FIG. 7



UNITED STATES PATENT AND TRADEMARK OFFICE  
**CERTIFICATE OF CORRECTION**

PATENT NO. : D758,545 S  
APPLICATION NO. : 29/532669  
DATED : June 7, 2016  
INVENTOR(S) : George Yabu et al.

Page 1 of 1

It is certified that error appears in the above-identified patent and that said Letters Patent is hereby corrected as shown below:

On The Title Page, Items (71) and (72), the spelling of the Second Joint Inventor's first name is hereby corrected from "Glen" to "Glenn."

Signed and Sealed this  
Fifteenth Day of November, 2016



Michelle K. Lee  
*Director of the United States Patent and Trademark Office*