



US00D758541S

(12) **United States Design Patent**
Keller et al.

(10) **Patent No.:** **US D758,541 S**
(45) **Date of Patent:** **** Jun. 7, 2016**

(54) **CONTROL VALVE**

(71) Applicant: **BELIMO Holding AG**, Hinwil (CH)

(72) Inventors: **Urs Keller**, Hinwil (CH); **Andrew Jukes**, Wetzikon (CH); **Stephan Vonwiller**, Winterthur (CH)

(73) Assignee: **Belimo Holding AG**, Hinwil (CH)

(**) Term: **14 Years**

(21) Appl. No.: **29/512,547**

(22) Filed: **Dec. 19, 2014**

(30) **Foreign Application Priority Data**

Jun. 26, 2014 (CH) 140885

(51) **LOC (10) Cl.** **23-01**

(52) **U.S. Cl.**
USPC **D23/233**

(58) **Field of Classification Search**
USPC D23/233-237, 244-249; 137/240, 412,
137/801, 625.64, 85, 909; 251/129.01,
251/129.15, 149.8, 148, 152, 309
CPC .. F16K 31/0658; F16K 31/0675; F16K 31/06
See application file for complete search history.

(56) **References Cited**

U.S. PATENT DOCUMENTS

D602,565 S *	10/2009	Nimberger	D23/233
D634,813 S *	3/2011	Hernandez, IV	D23/233
D718,419 S *	11/2014	Borg	D23/233
D720,831 S *	1/2015	O'Banion	D23/233
D738,463 S *	9/2015	Yoshida	D23/233
D738,464 S *	9/2015	Yoshida	D23/233
D738,465 S *	9/2015	Yoshida	D23/233
D738,466 S *	9/2015	Yoshida	D23/233

* cited by examiner

Primary Examiner — Cynthia Ramirez

(74) *Attorney, Agent, or Firm* — Knobbe, Martens, Olson & Bear, LLP

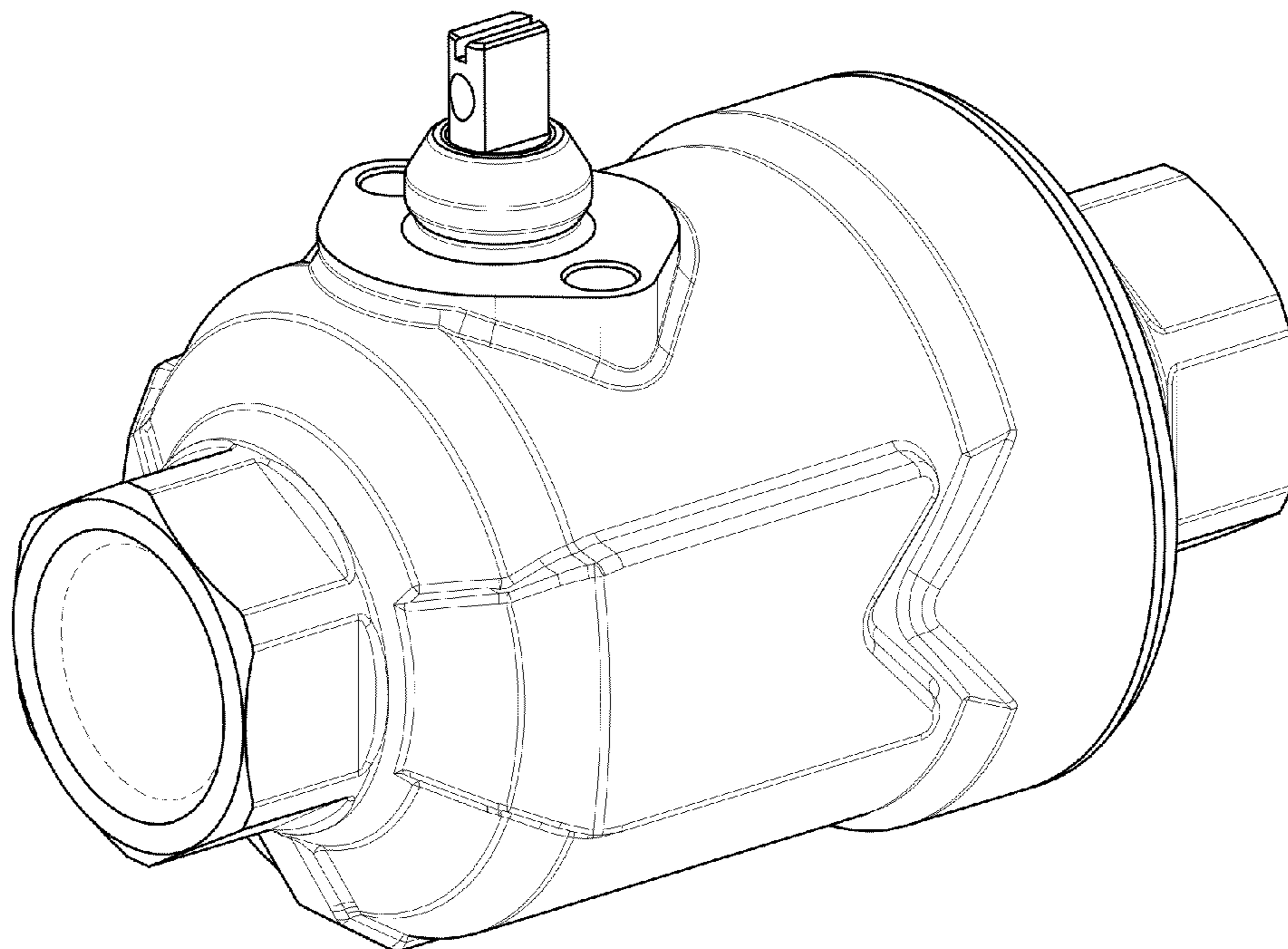
(57) **CLAIM**

The ornamental design for a control valve, as shown and described.

DESCRIPTION

FIG. 1 is a top, front and side perspective view of a control valve embodying my new design.
FIG. 2 is a bottom view thereof.
FIG. 3 is a first side view thereof.
FIG. 4 is a top view thereof.
FIG. 5 is a front view thereof
FIG. 6 is a second side view thereof; and,
FIG. 7 is a back view thereof.
The broken lines shown in FIGS. 1, 5, and 7 are included for the purpose of illustrating portions of the control valve and form no part of the claimed design.

1 Claim, 7 Drawing Sheets



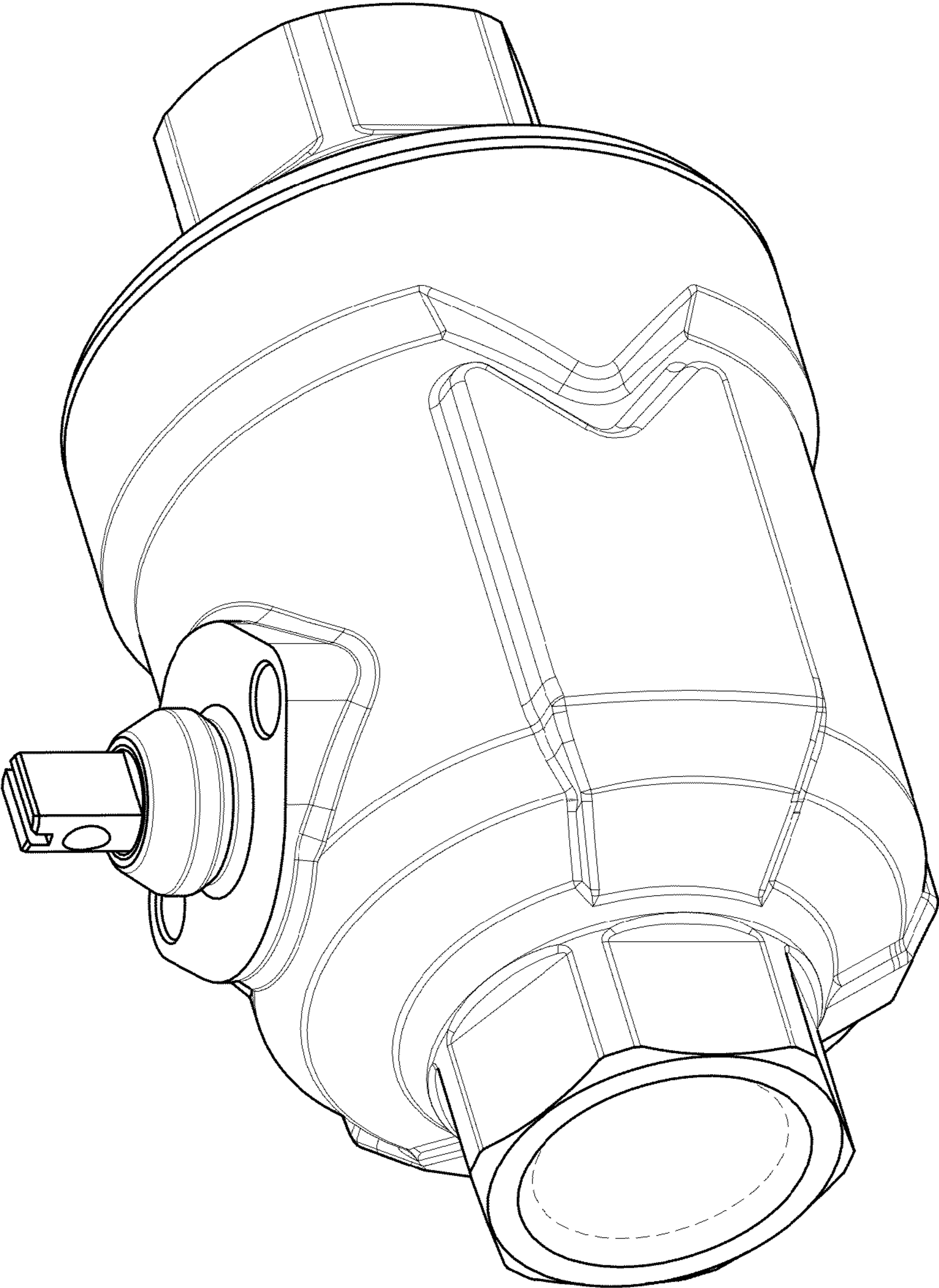


FIG. 1

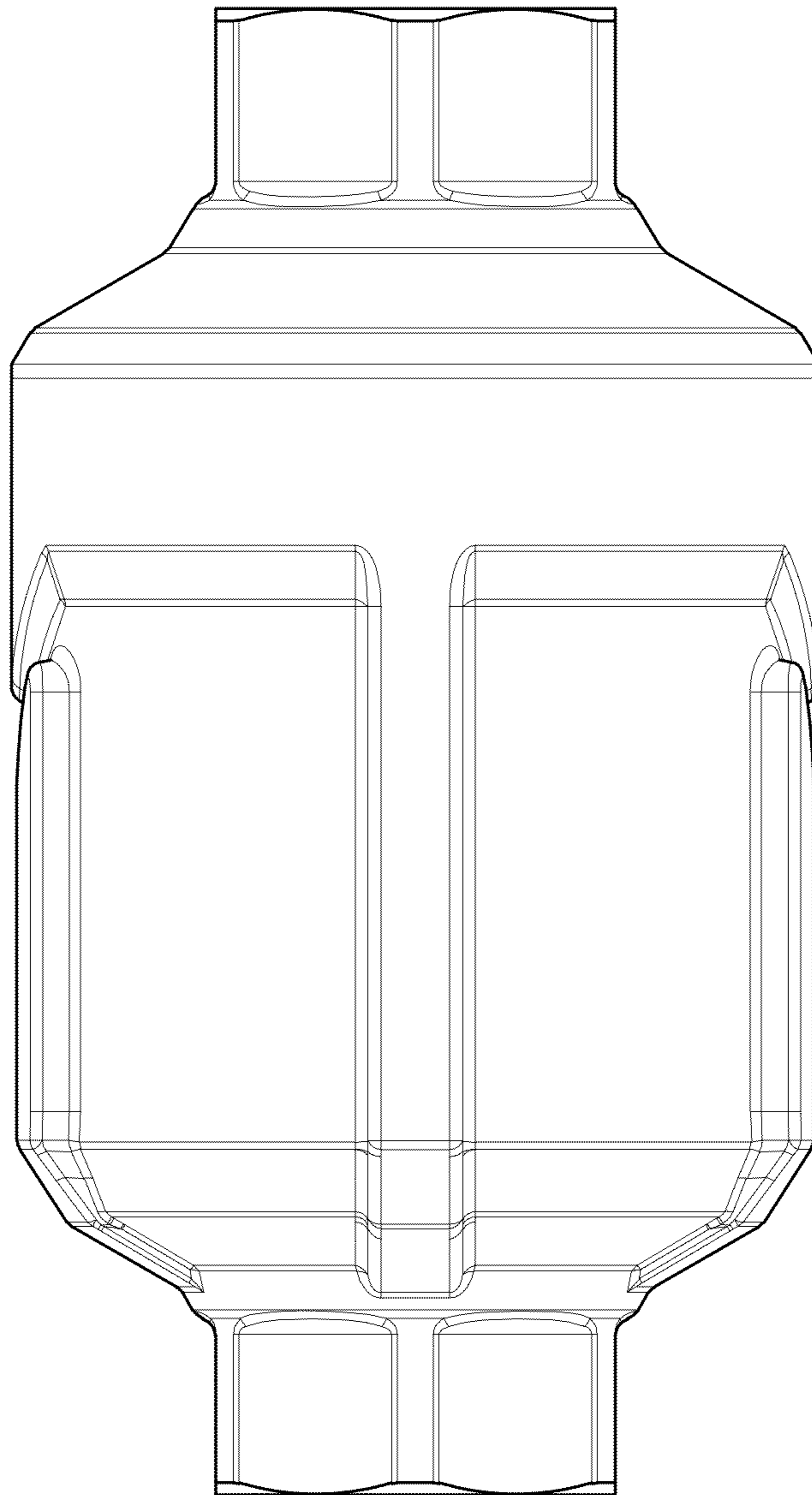


FIG. 2

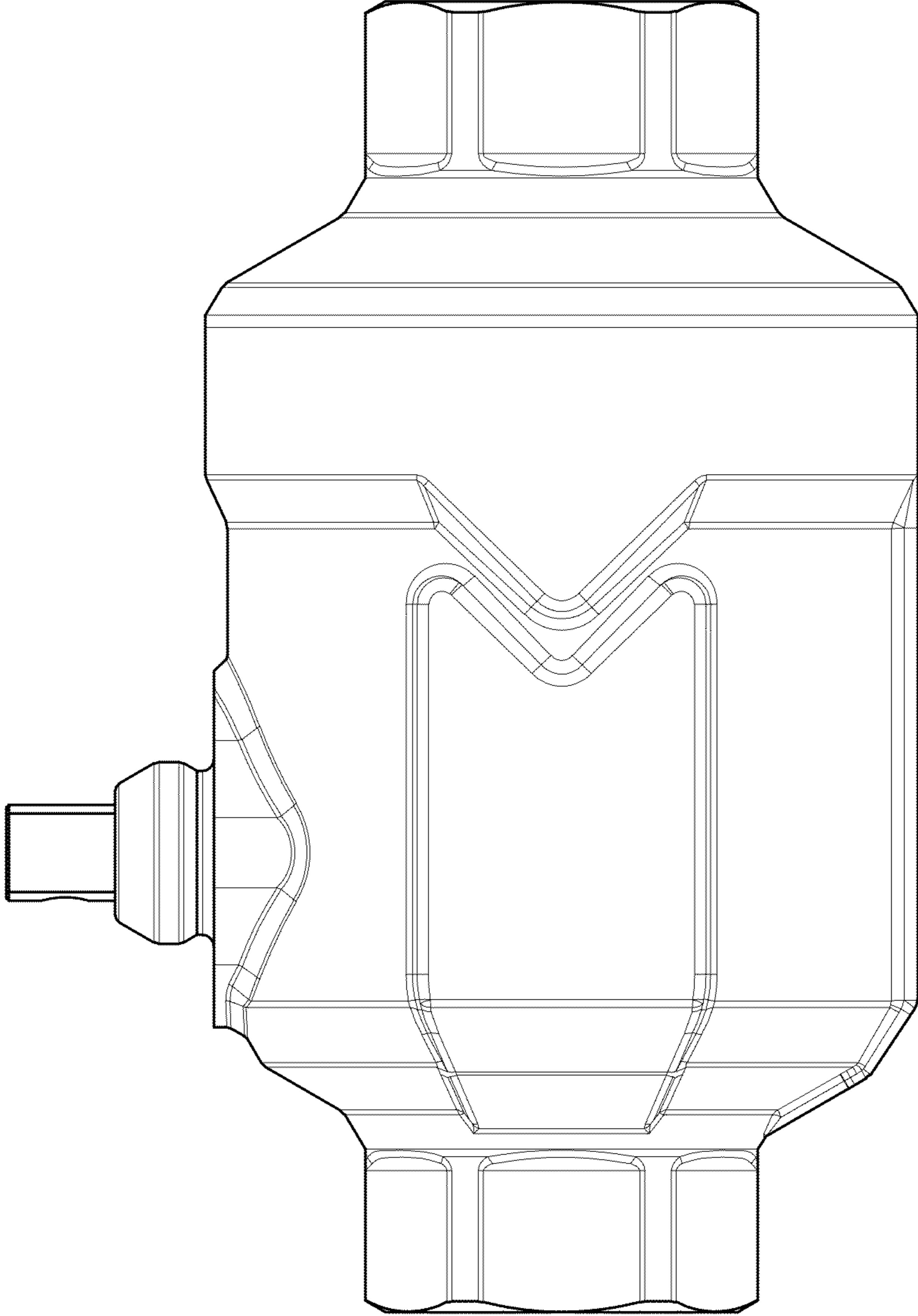


FIG. 3

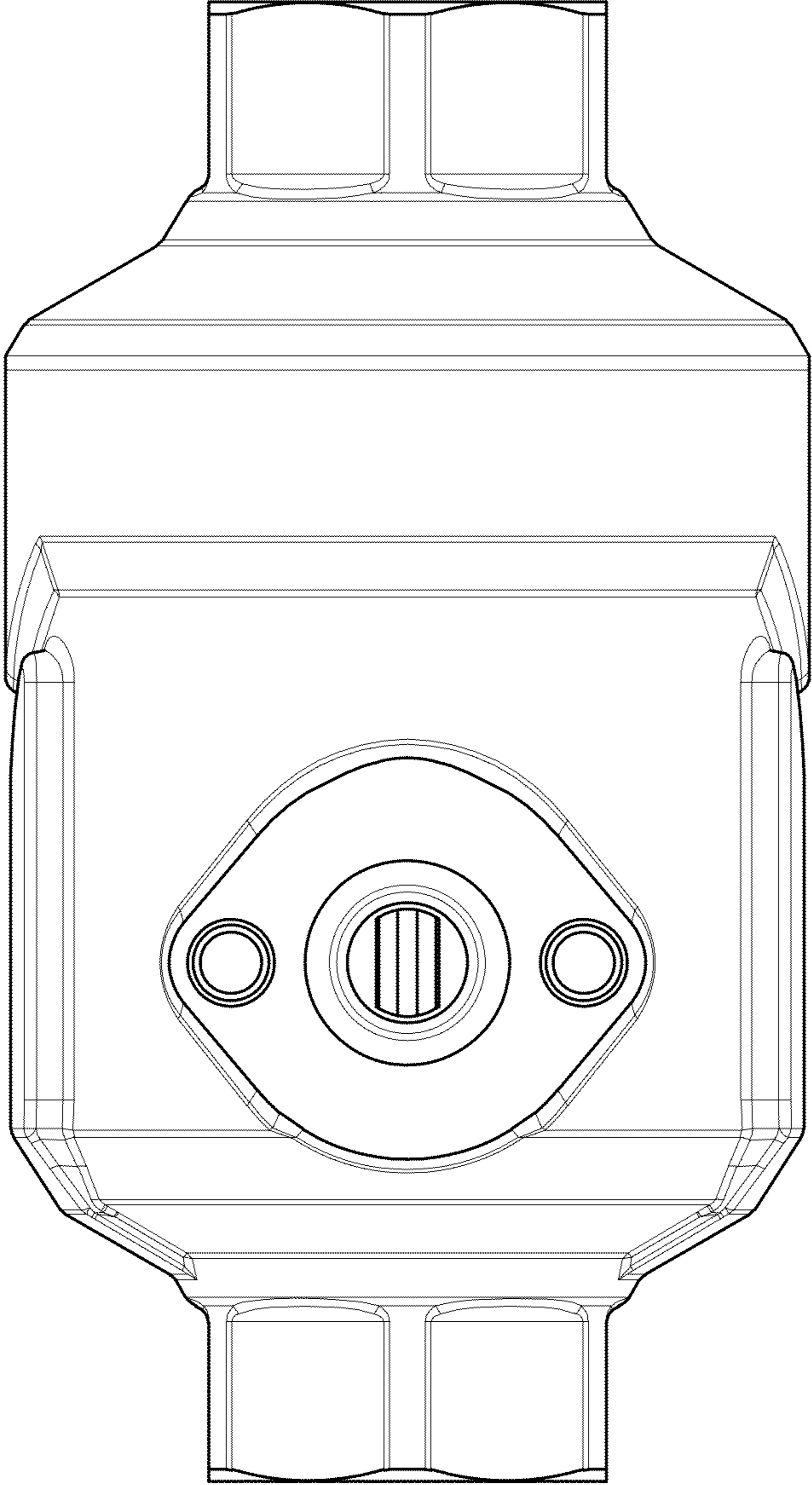


FIG. 4

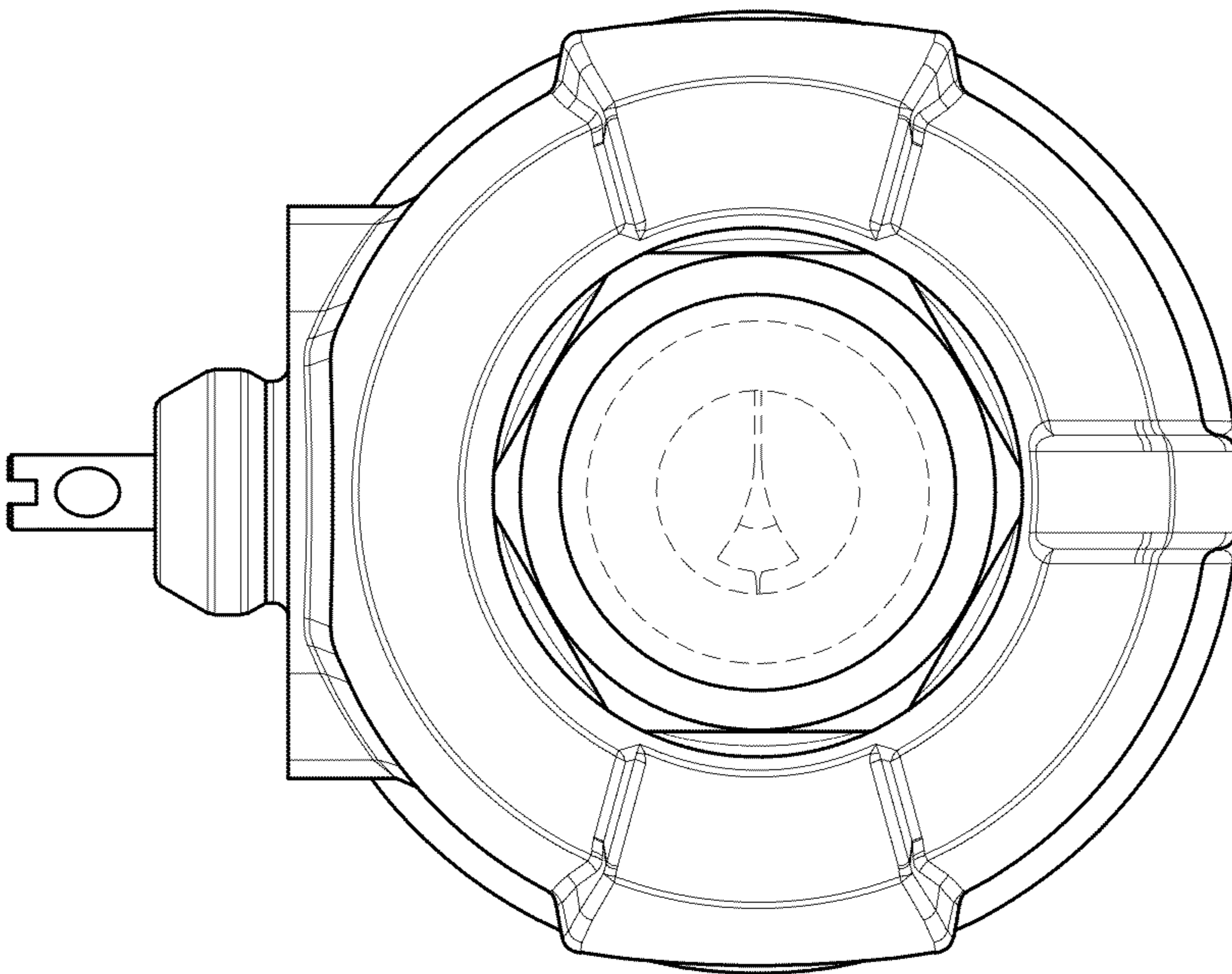


FIG. 5

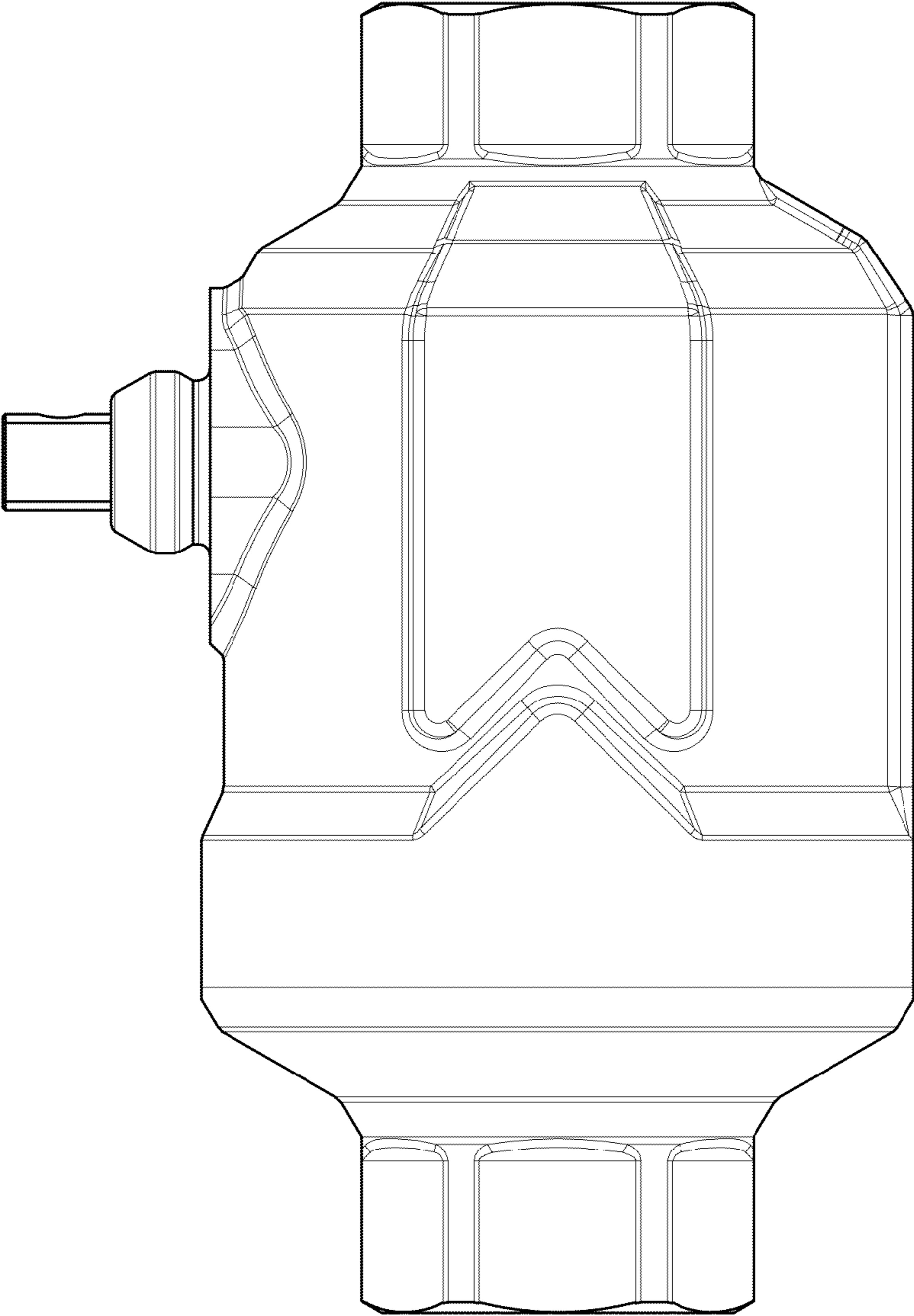


FIG. 6

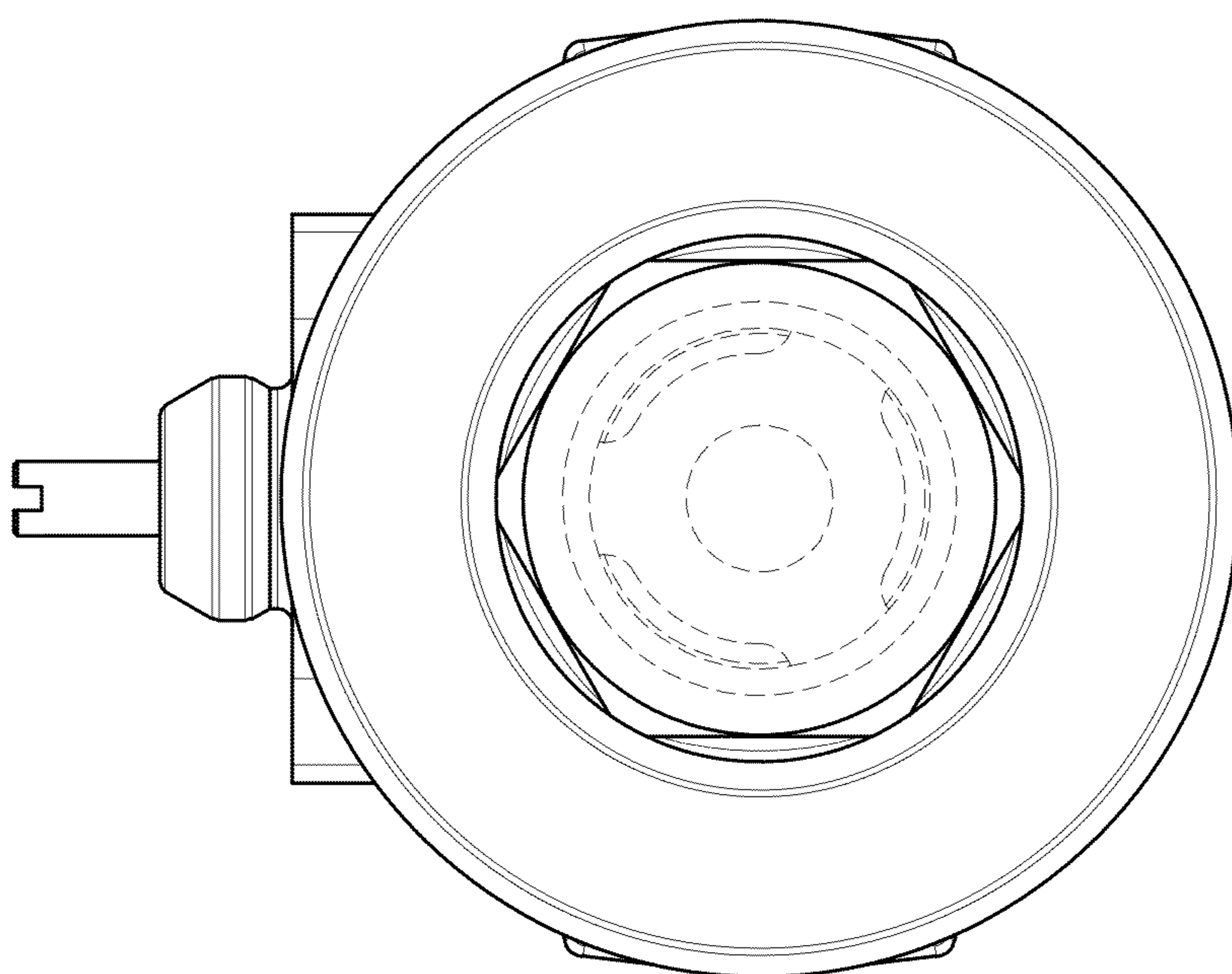


FIG. 7