



US00D758540S

(12) **United States Design Patent**
Shishido

(10) **Patent No.:** **US D758,540 S**
(45) **Date of Patent:** **** Jun. 7, 2016**

(54) **PORTION OF FLOW CONTROL VALVE**

(71) Applicant: **SMC CORPORATION**, Chiyoda-ku
(JP)

(72) Inventor: **Kenji Shishido**, Adachi-ku (JP)

(73) Assignee: **SMC CORPORATION**, Chiyoda-ku
(JP)

(**) Term: **14 Years**

(21) Appl. No.: **29/507,598**

(22) Filed: **Oct. 29, 2014**

(30) **Foreign Application Priority Data**

Apr. 30, 2014 (JP) 2014-009456

(51) **LOC (10) Cl.** **23-01**

(52) **U.S. Cl.**
USPC **D23/233**

(58) **Field of Classification Search**
USPC D23/233-269, 200-210; 251/267, 333,
251/205, 208, 215, 309-310, 312, 62, 63,
251/63.5, 129.01, 129.1, 129.16-129.18;
137/398, 545, 547, 549
CPC F16K 15/188; F16K 19/00; F16K 31/12;
F16K 5/10
See application file for complete search history.

(56) **References Cited**

U.S. PATENT DOCUMENTS

D468,806 S *	1/2003	Ripkey	D23/233
D519,188 S *	4/2006	Hay	D23/233
D542,382 S *	5/2007	Cook et al.	D23/233
D600,779 S *	9/2009	Shishido	D23/233
D600,780 S *	9/2009	Shishido	D23/233
D605,254 S *	12/2009	Lai	D23/233

D605,255 S *	12/2009	Lai	D23/233
D639,392 S *	6/2011	Yamada	D23/233
D644,305 S *	8/2011	White	D23/266
D667,930 S *	9/2012	Yamada	D23/235
2012/0073686 A1 *	3/2012	Yang	137/625.4
2014/0077114 A1	3/2014	Shishido		
2014/0299809 A1 *	10/2014	Morris et al.	251/366

OTHER PUBLICATIONS

Orbit Website Search, Jun. 10, 2015, 1/1 Designs-Questel Portion Valve, shown in p. 1.*

* cited by examiner

Primary Examiner — Cynthia Ramirez

Assistant Examiner — Gino Colan

(74) *Attorney, Agent, or Firm* — Oblon, McClelland, Maier & Neustadt, L.L.P.

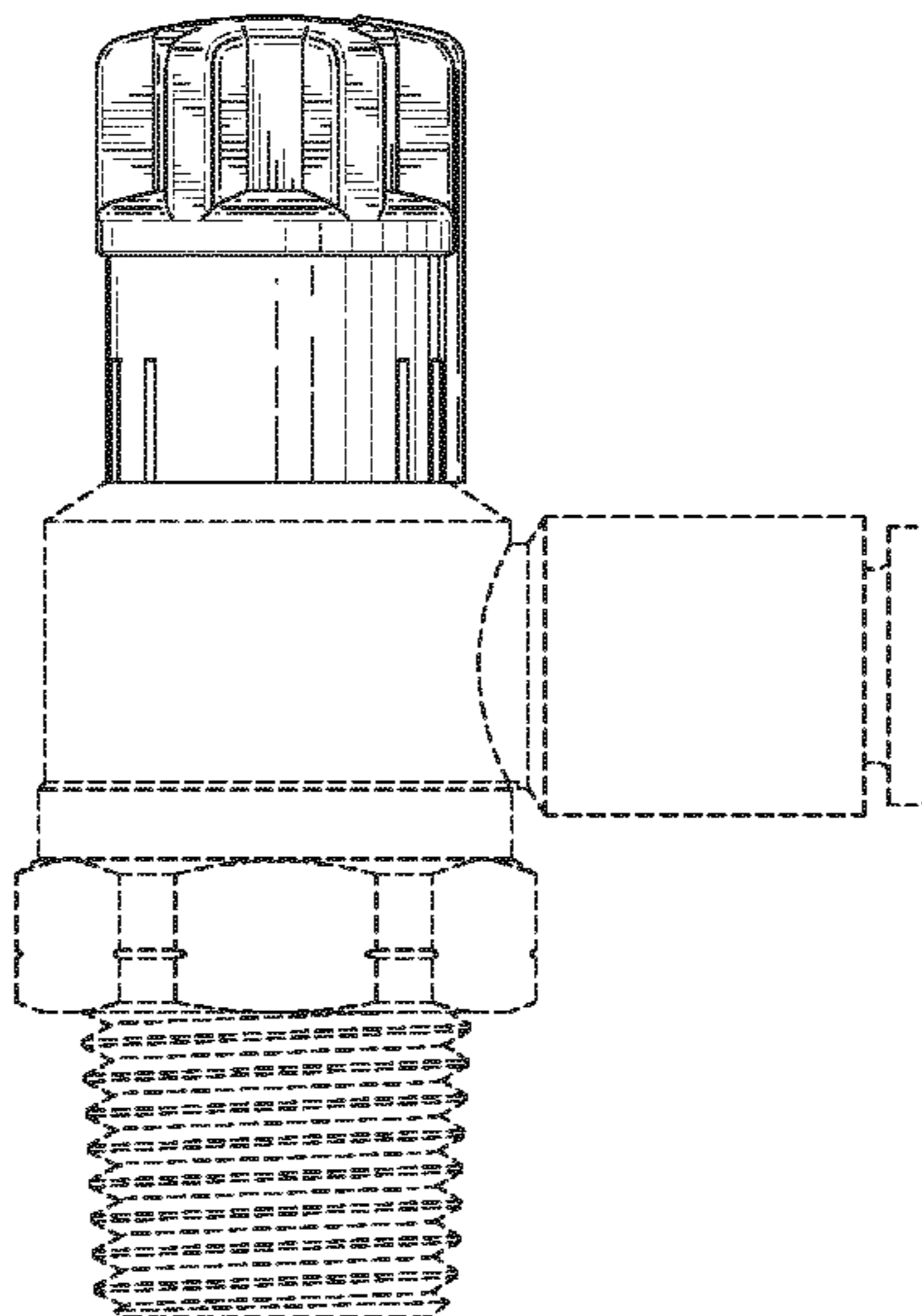
(57) **CLAIM**

The ornamental design for a portion of flow control valve, as shown and described.

DESCRIPTION

FIG. 1 is a front view thereof;
FIG. 2 is a back view thereof;
FIG. 3 is a top plan view thereof;
FIG. 4 is a bottom plan view thereof;
FIG. 5 is a left side view thereof;
FIG. 6 is a right side view thereof;
FIG. 7 is a front, right side overhead, perspective view thereof;
FIG. 8 is a back, right side, underneath perspective view thereof; and,
FIG. 9 is an enlarged view from 9.-9. of FIG. 6.
The broken lines in the drawings are included for the purpose of illustrating environment and form no part of the claimed design.

1 Claim, 9 Drawing Sheets



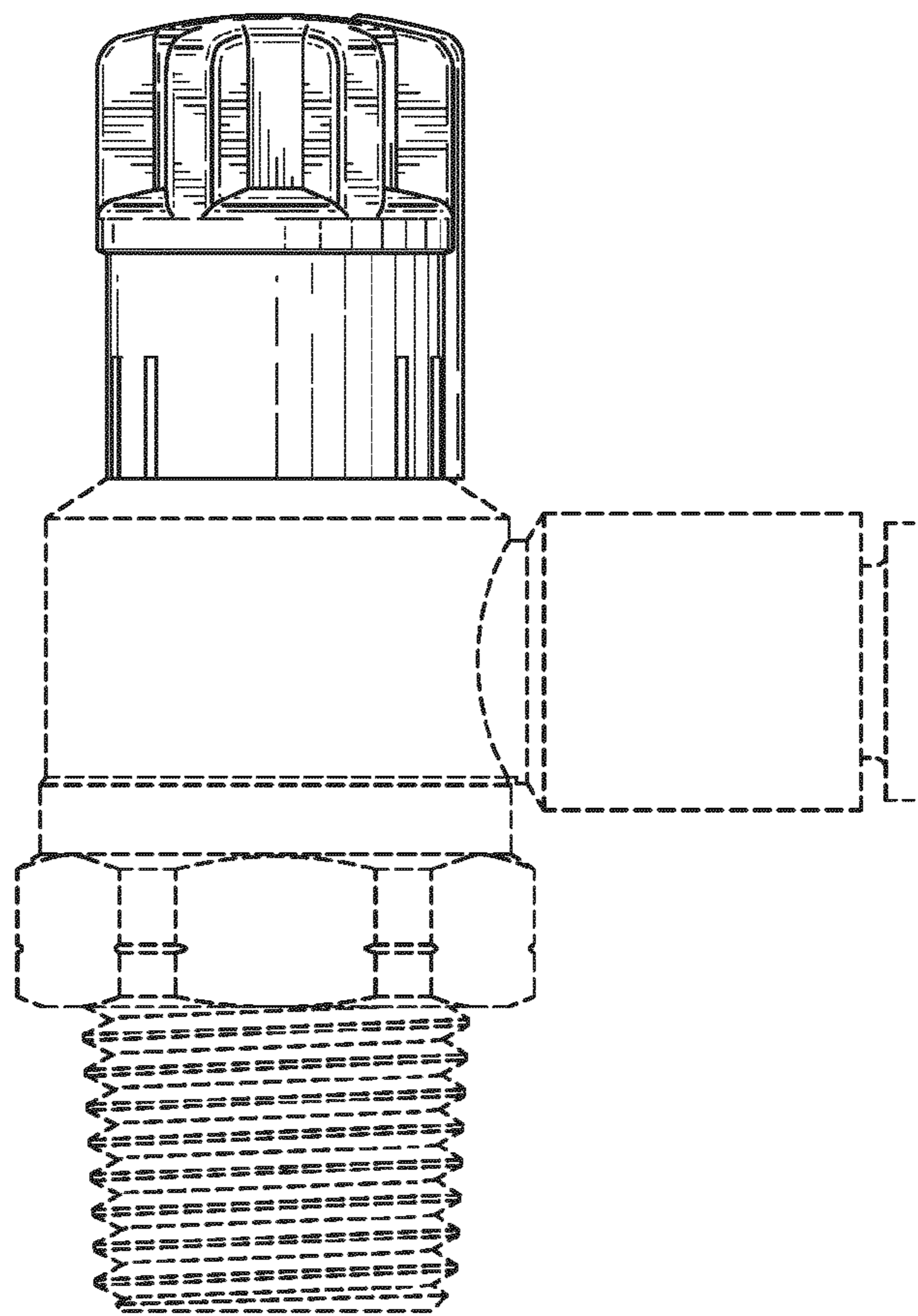


Fig. 1

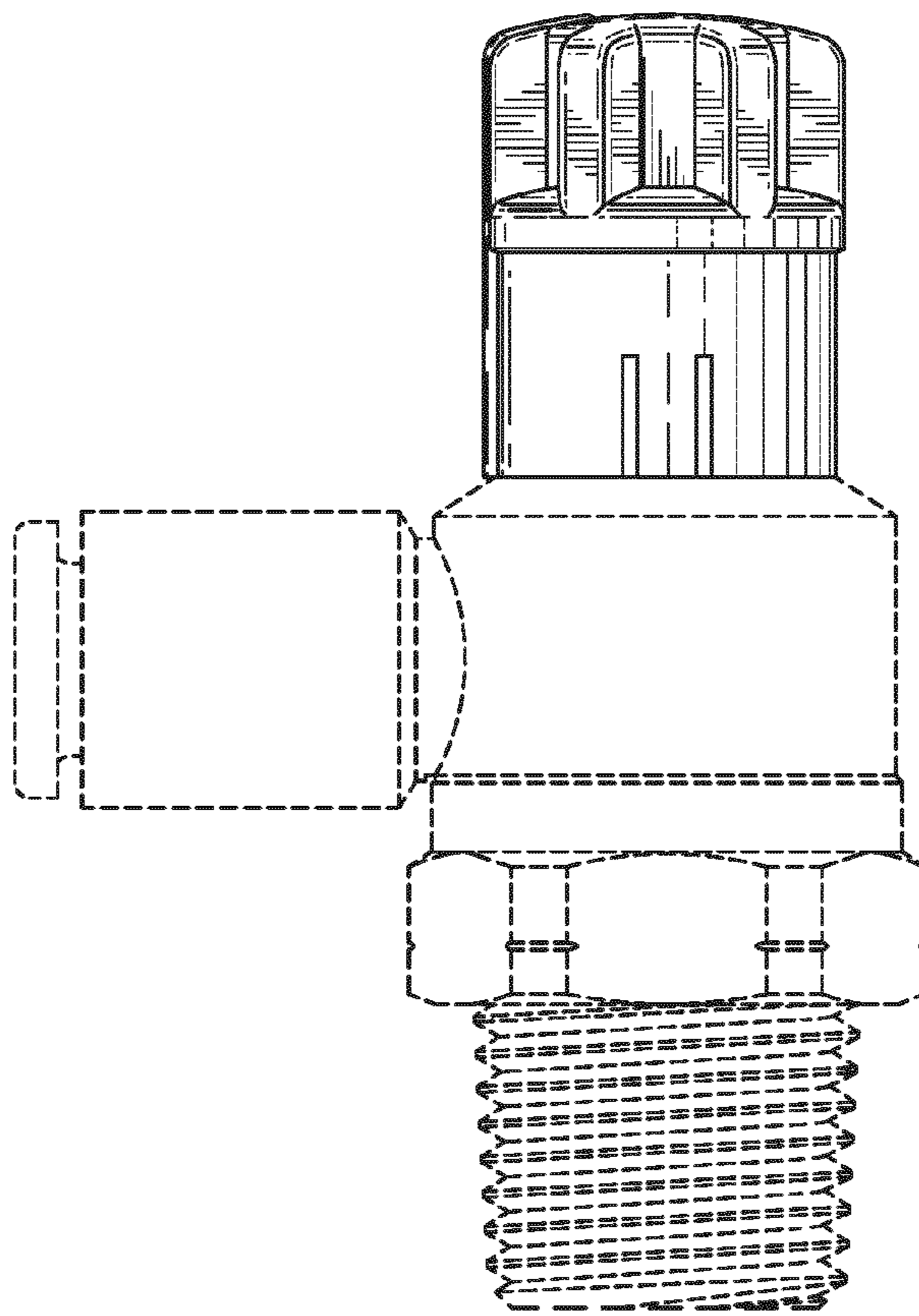


Fig. 2

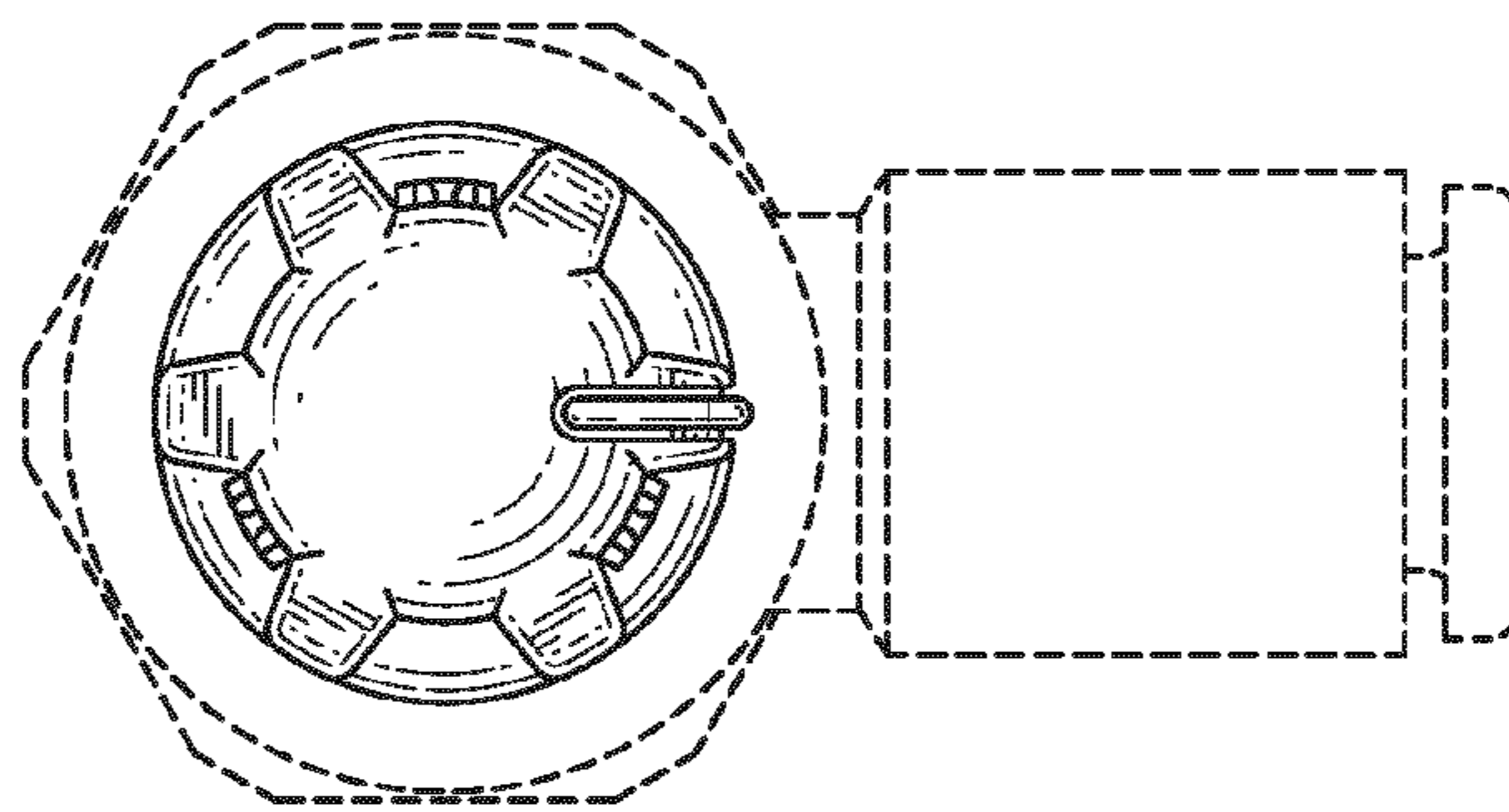


Fig. 3

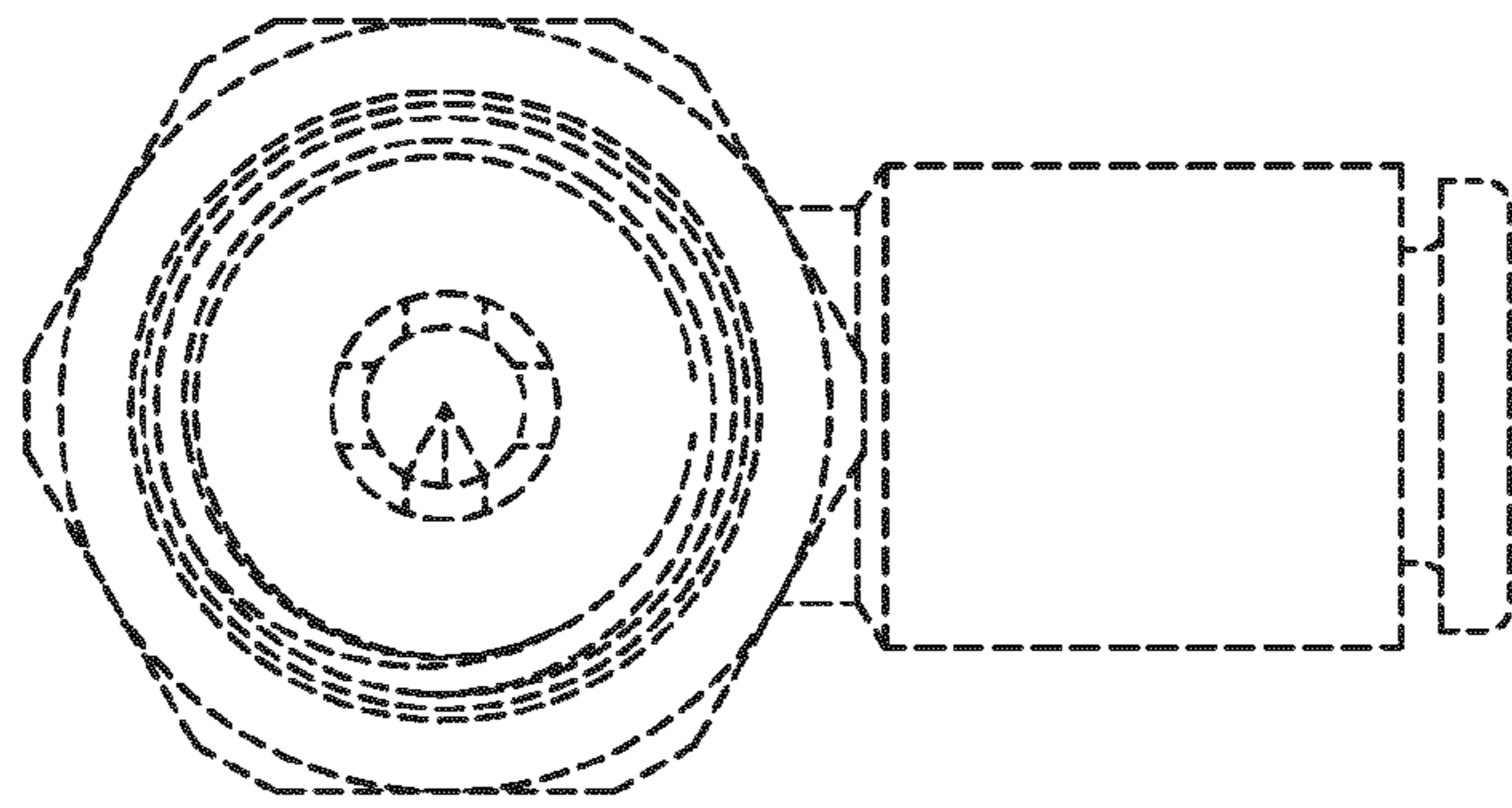


Fig. 4

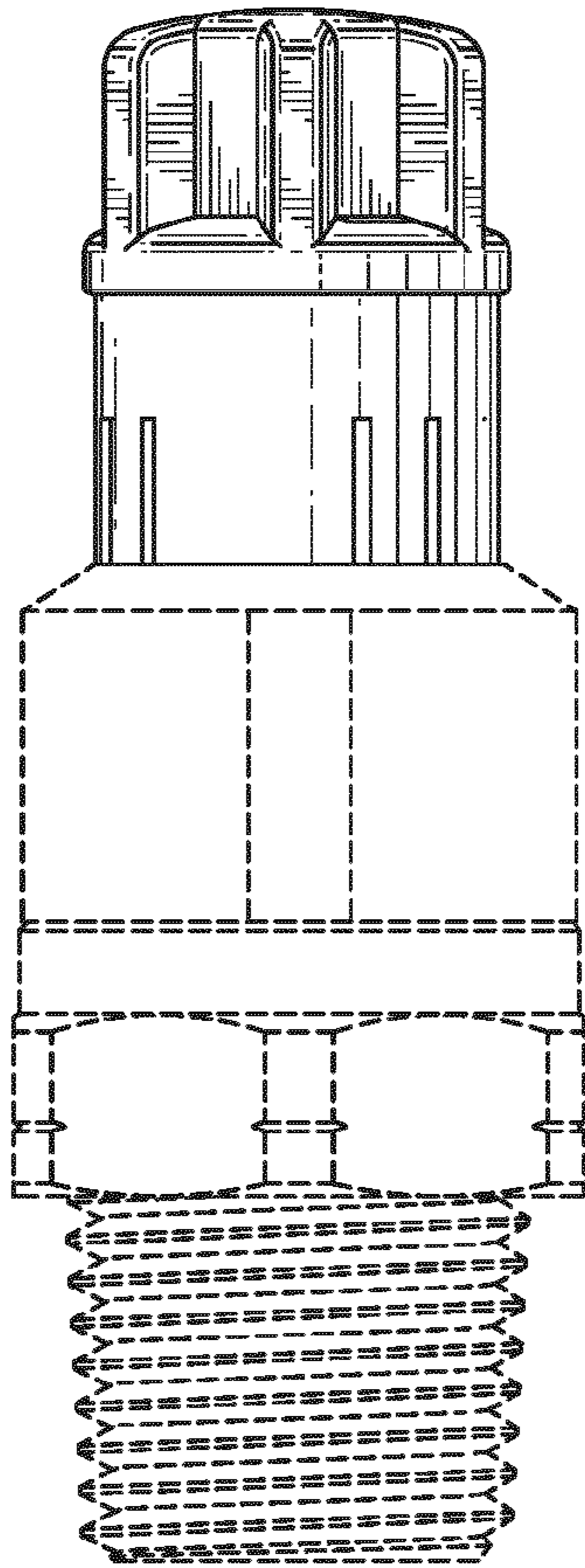


Fig. 5

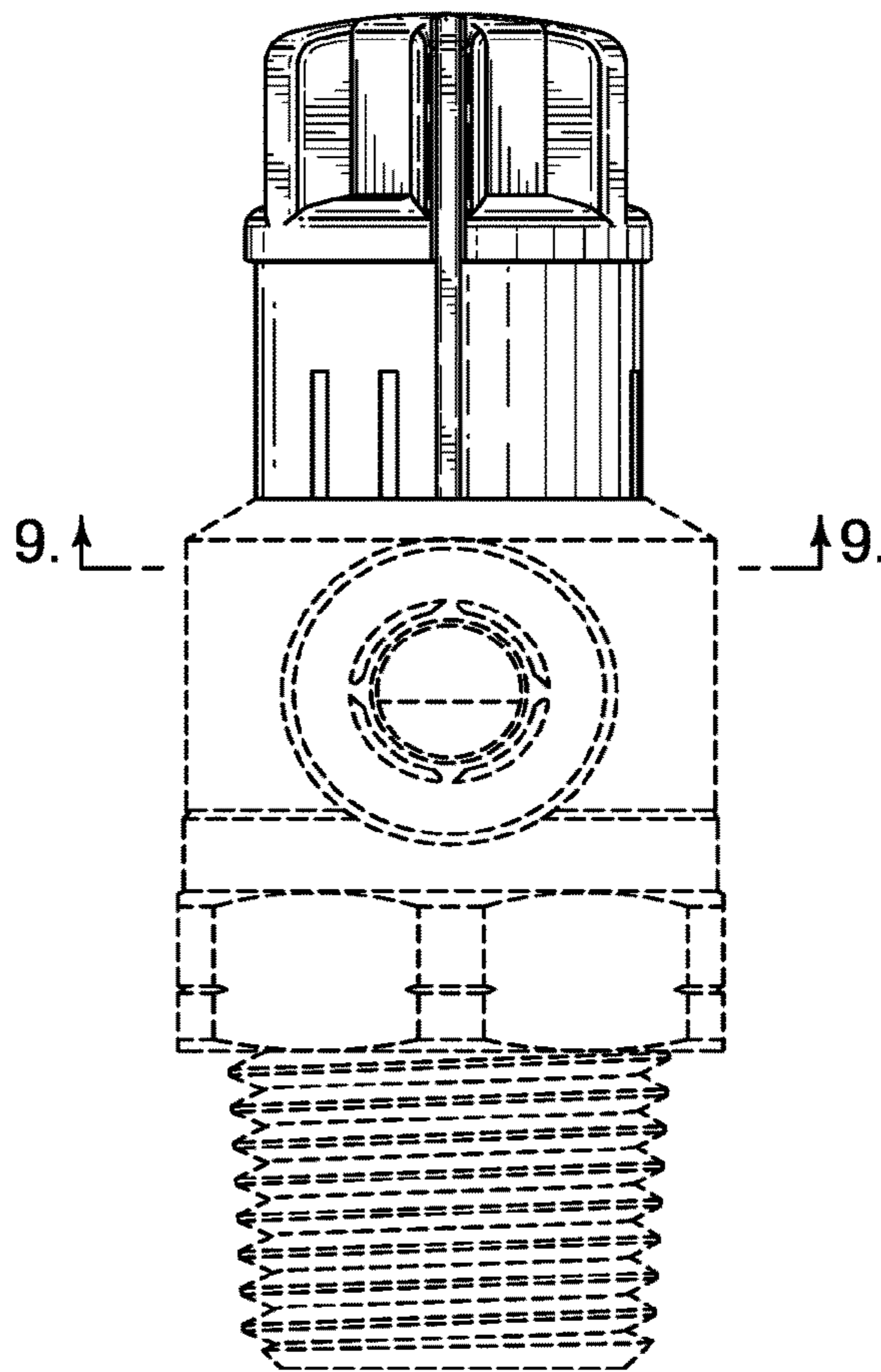


Fig. 6

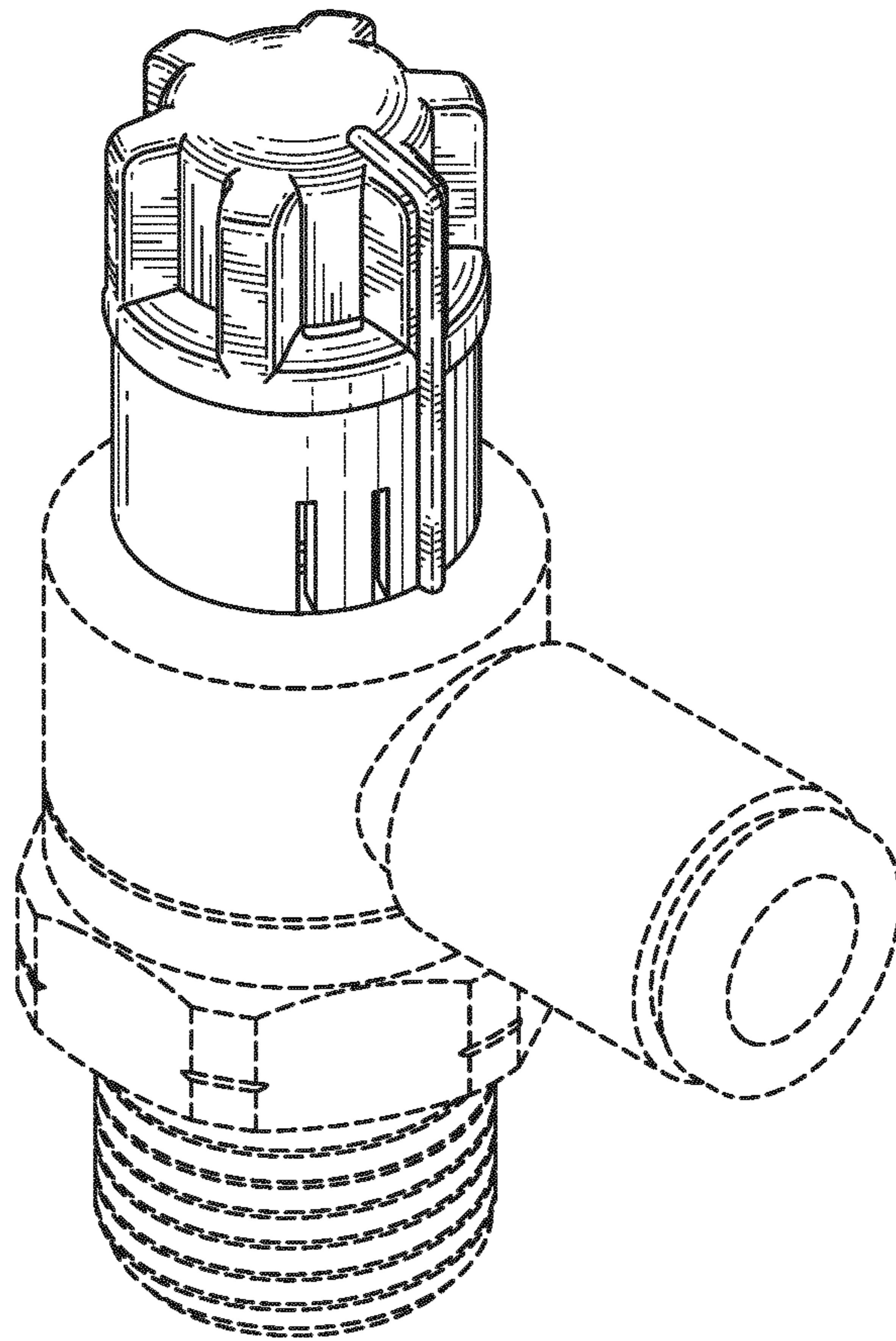


Fig. 7

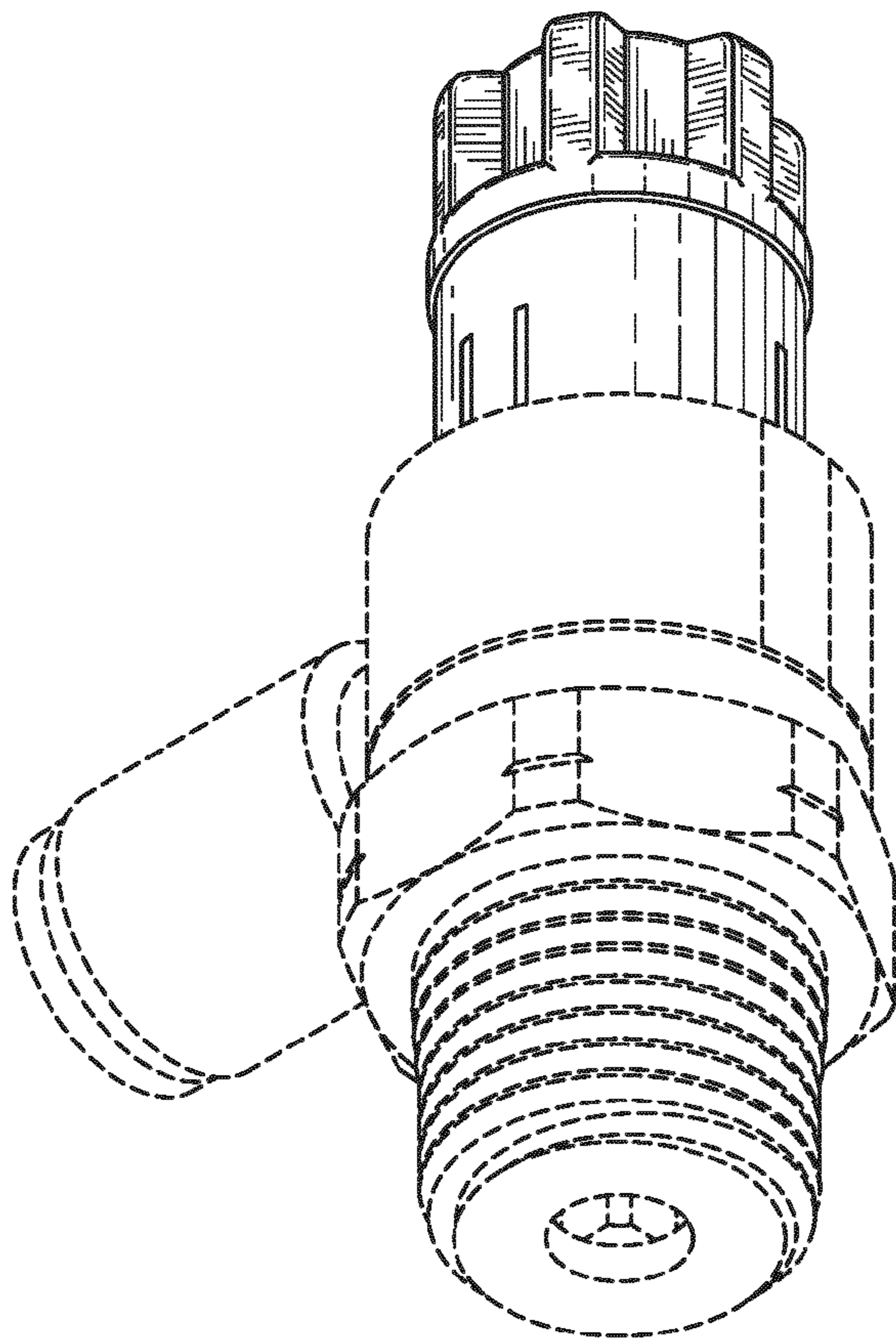


Fig. 8

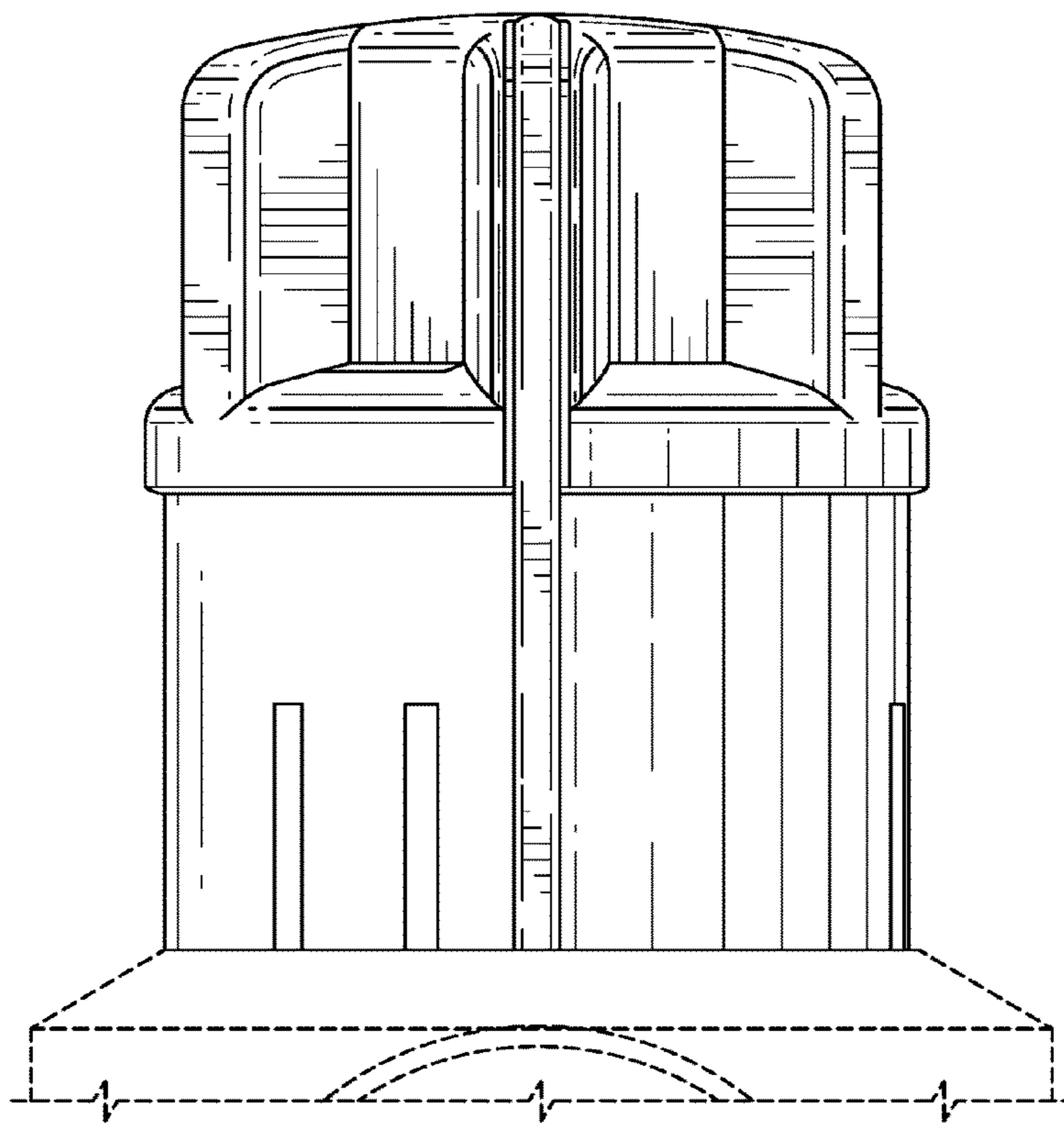


Fig. 9