



US00D758536S

(12) **United States Design Patent**  
**Olson et al.**

(10) **Patent No.:** **US D758,536 S**  
(45) **Date of Patent:** **\*\* Jun. 7, 2016**

(54) **AIRLESS PAINT SPRAYER**

- (71) Applicant: **Graco Minnesota Inc.**, Minneapolis, MN (US)
- (72) Inventors: **Diane L. Olson**, Elk River, MN (US);  
**David J. Thompson**, Oak Grove, MN (US)
- (73) Assignee: **Graco Minnesota Inc.**, Minneapolis, MN (US)

(\*\*) Term: **14 Years**

(21) Appl. No.: **29/521,304**

(22) Filed: **Mar. 23, 2015**

(51) **LOC (10) Cl.** ..... **23-01**

(52) **U.S. Cl.**  
USPC ..... **D23/225**

(58) **Field of Classification Search**  
USPC ..... D23/213, 225, 226, 202; 239/332, 308,  
239/302; 222/383.1  
CPC ..... B05B 5/1691; B05B 9/01; B05B 7/241;  
B05B 7/2405; B05B 7/2408; B05B 9/08  
See application file for complete search history.

(56) **References Cited**

**U.S. PATENT DOCUMENTS**

D625,775 S	10/2010	Johnson et al.
D630,708 S	1/2011	Blenkush et al.
D633,176 S	2/2011	Blenkush et al.
D651,691 S	1/2012	Muetzel et al.
D692,095 S	10/2013	Hines et al.

**OTHER PUBLICATIONS**

Wagner Paintready System Owner's Manual, Jul. 2012.  
Titan Protouch Brochure, modified Oct. 21, 2010.  
Wagner Optimus Plus Owner's Manual, Jan. 2009.

*Primary Examiner* — Robin V Webster

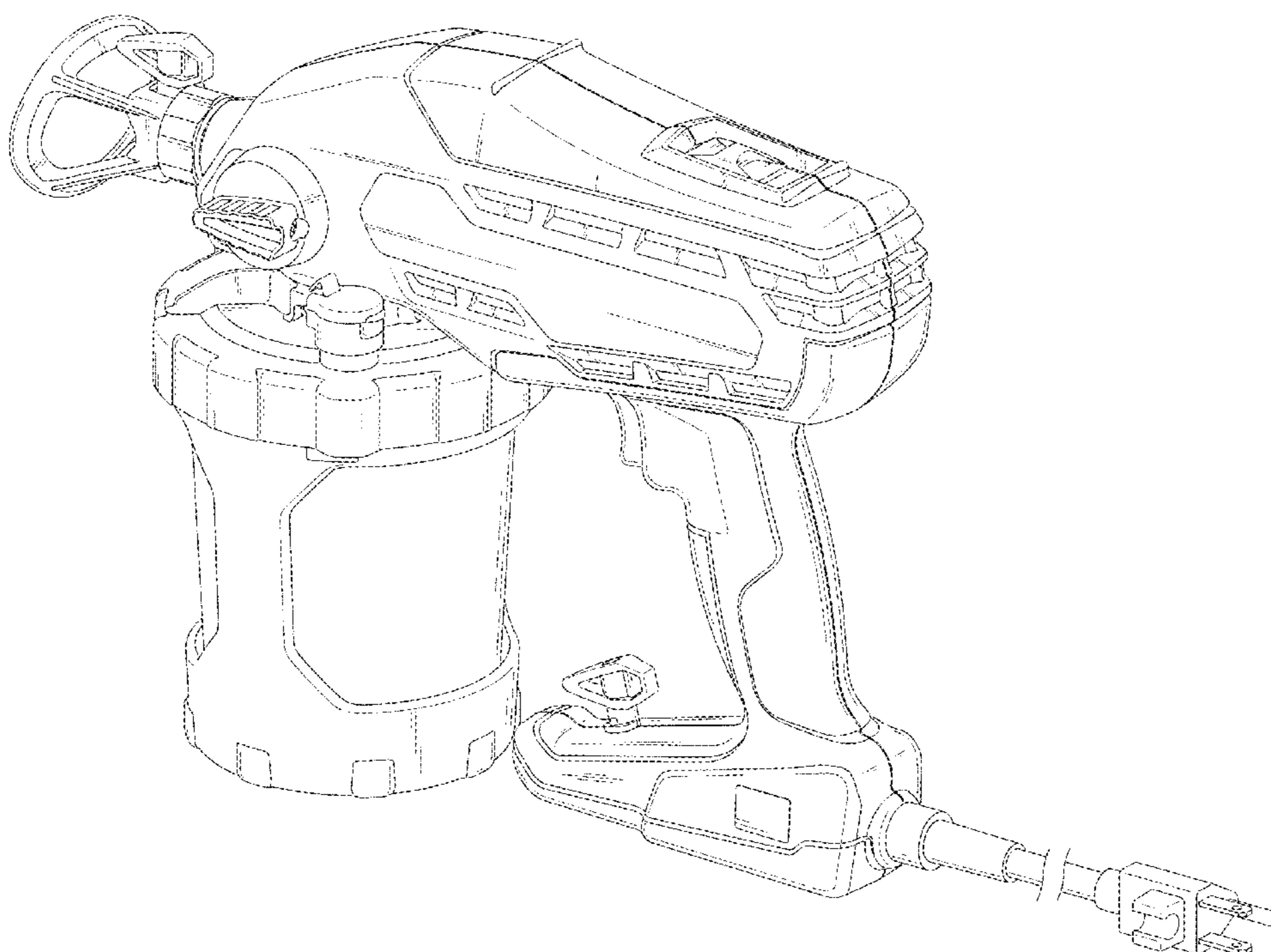
(57) **CLAIM**

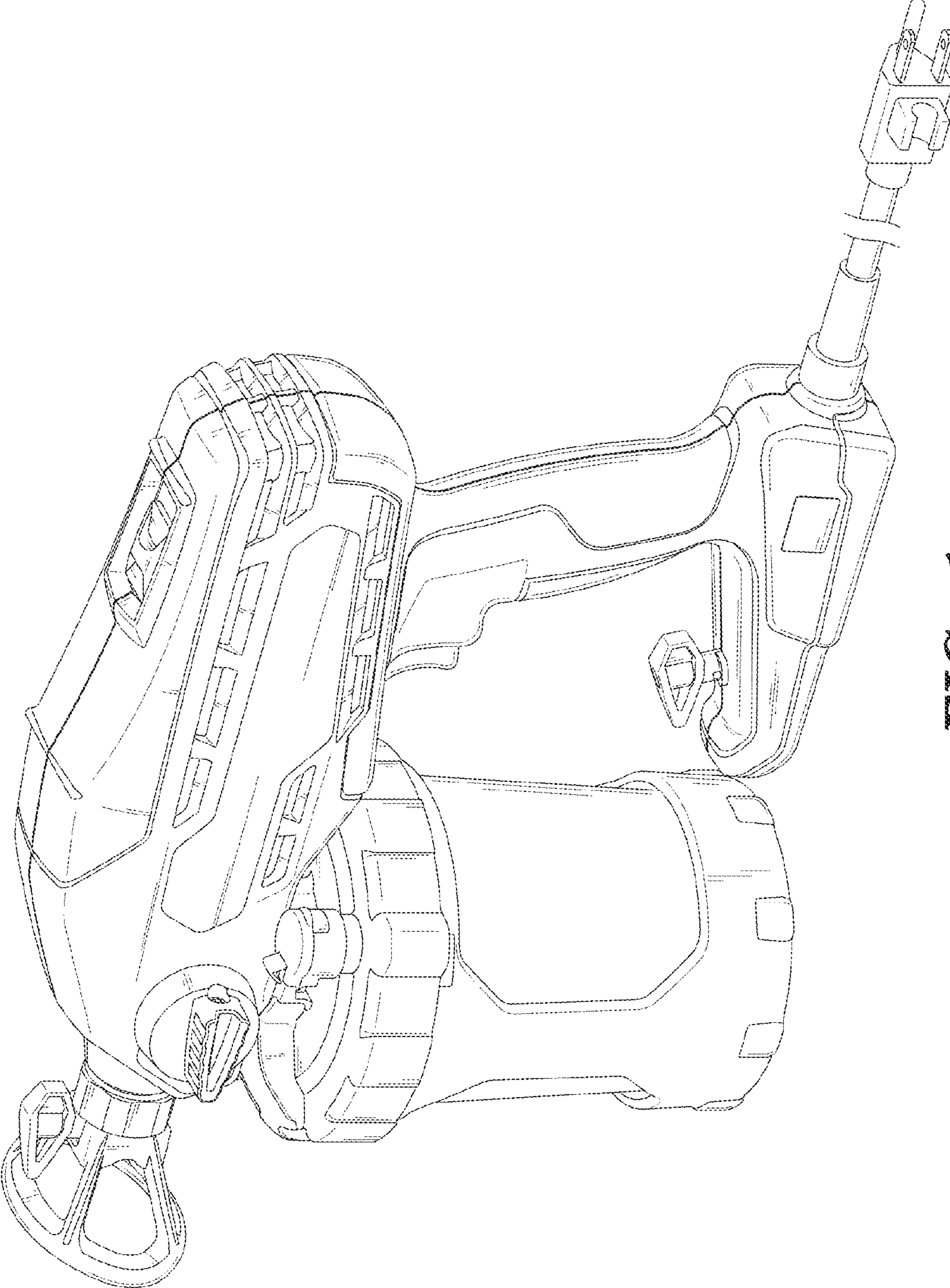
The ornamental design for an airless paint sprayer, as shown and described.

**DESCRIPTION**

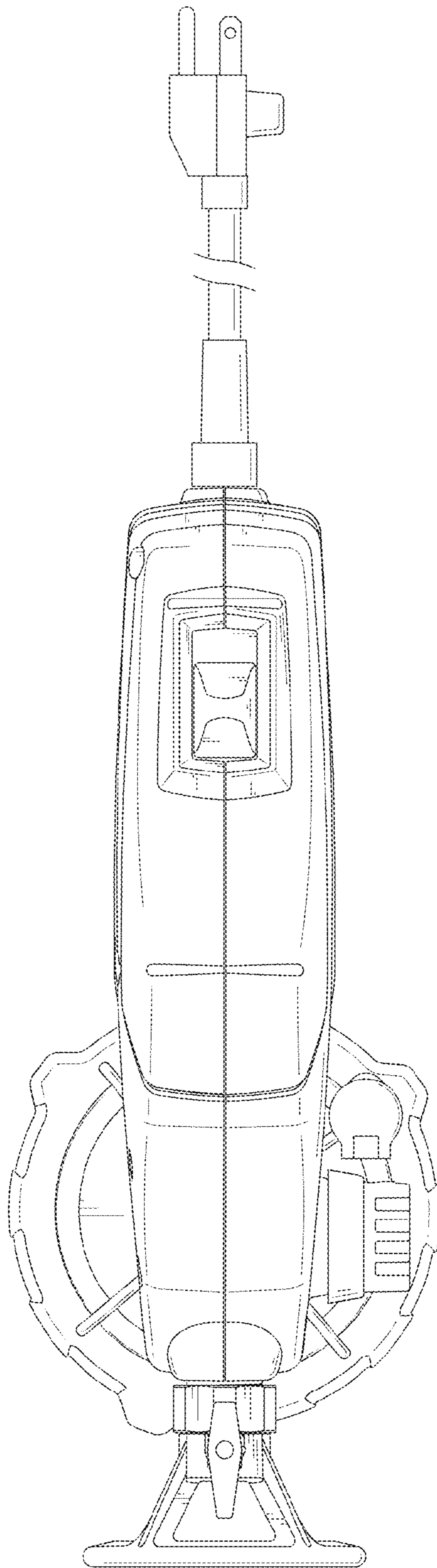
FIG. 1 is an isometric view of the first embodiment of an airless paint sprayer;  
FIG. 2 is a top view thereof;  
FIG. 3 is a left side view thereof;  
FIG. 4 is a front view thereof;  
FIG. 5 is a right view thereof;  
FIG. 6 is a rear view thereof;  
FIG. 7 is a bottom view thereof  
FIG. 8 is an isometric view of the second embodiment of an airless paint sprayer;  
FIG. 9 is a top view thereof;  
FIG. 10 is a left side view thereof;  
FIG. 11 is a front view thereof;  
FIG. 12 is a right view thereof;  
FIG. 13 is a rear view thereof; and,  
FIG. 14 is a bottom view thereof.  
The cord is shown fragmented to indicate non-specified length.

**1 Claim, 14 Drawing Sheets**

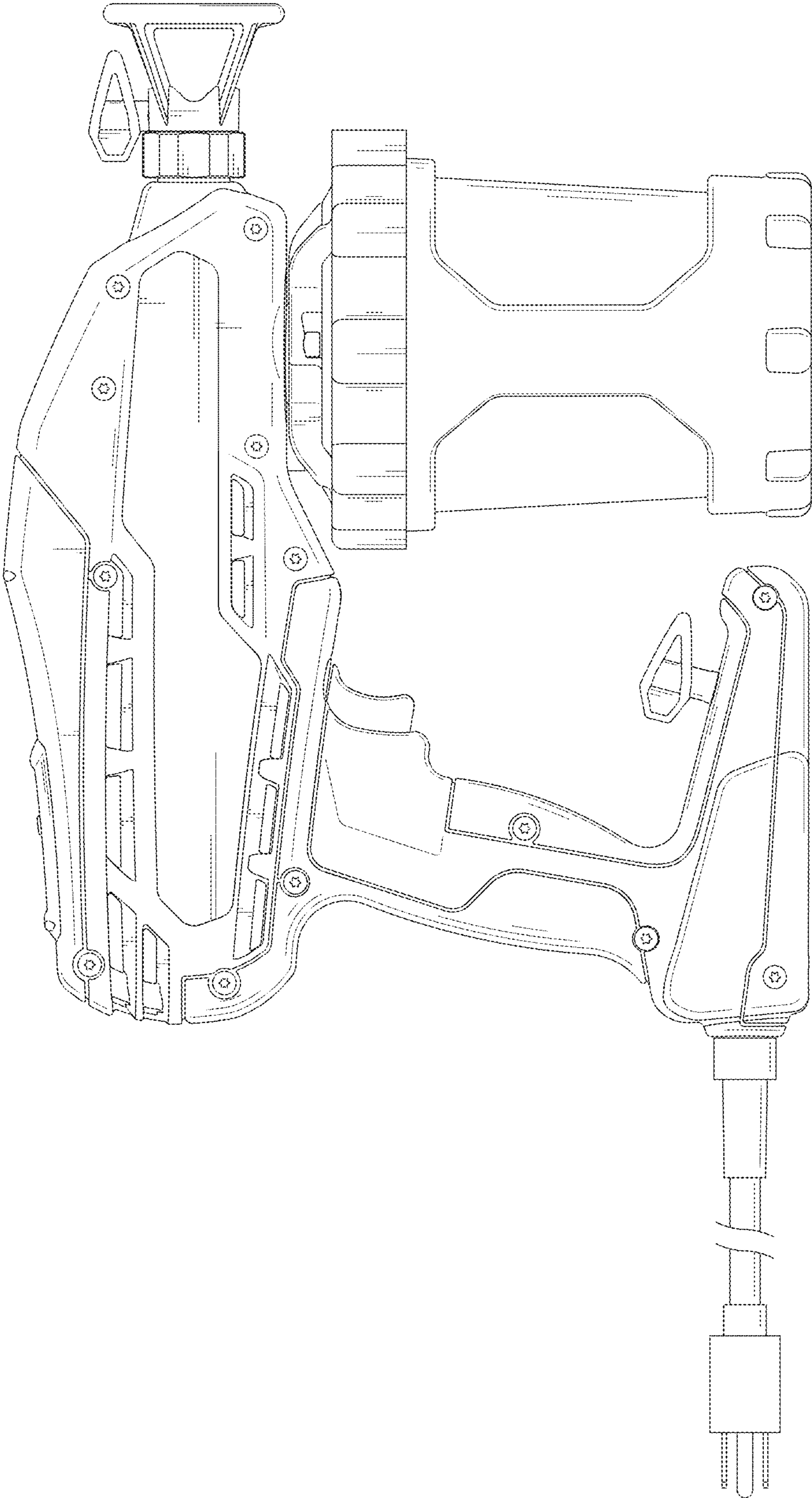




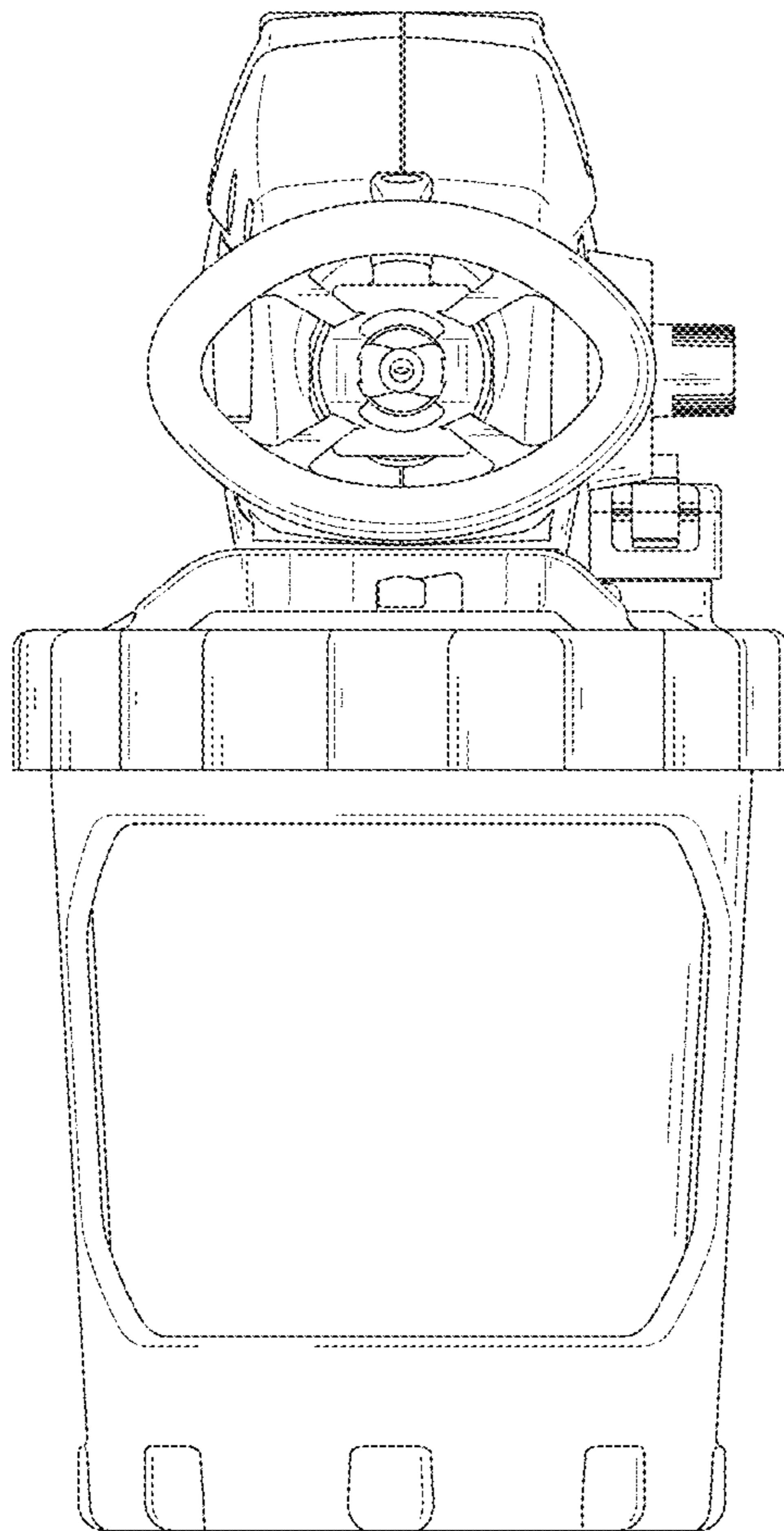
**FIG. 1**



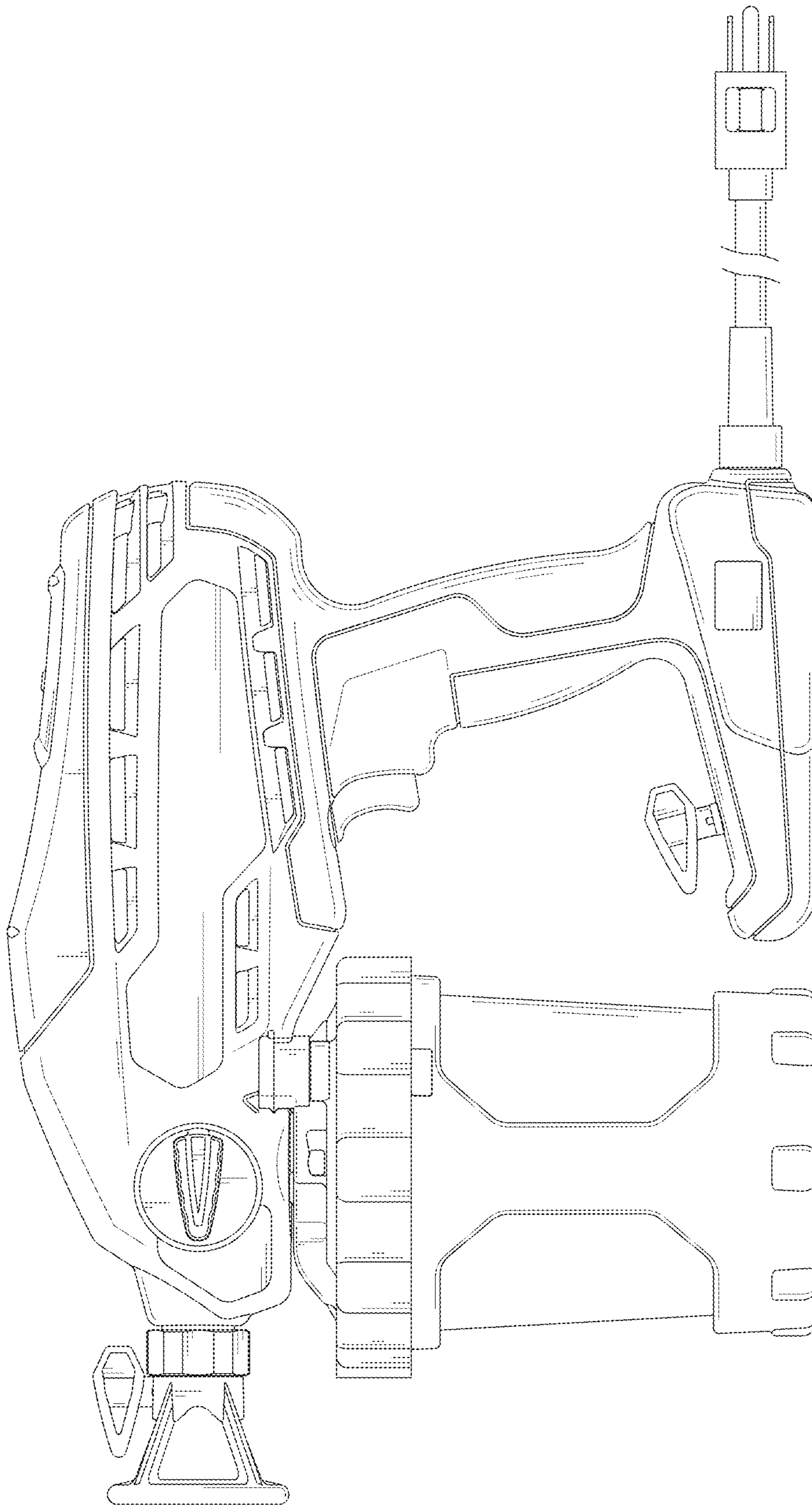
**FIG. 2**



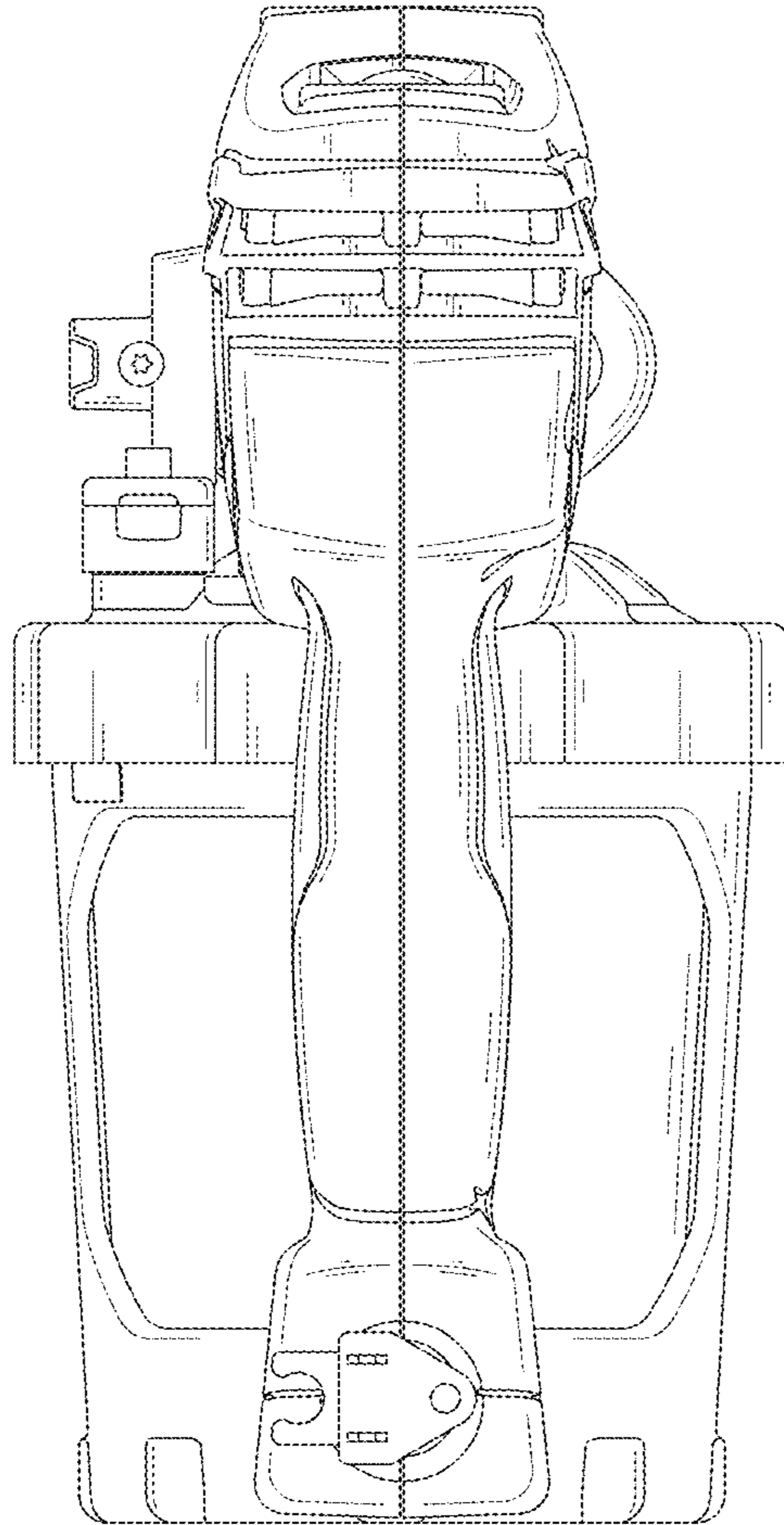
**FIG. 3**



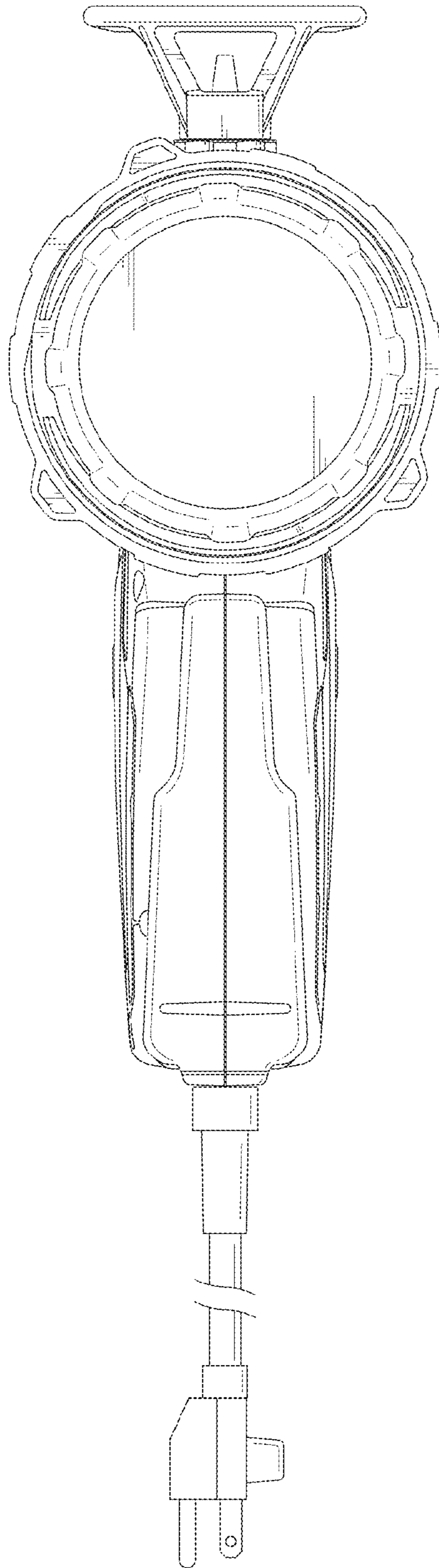
**FIG. 4**



**FIG. 5**

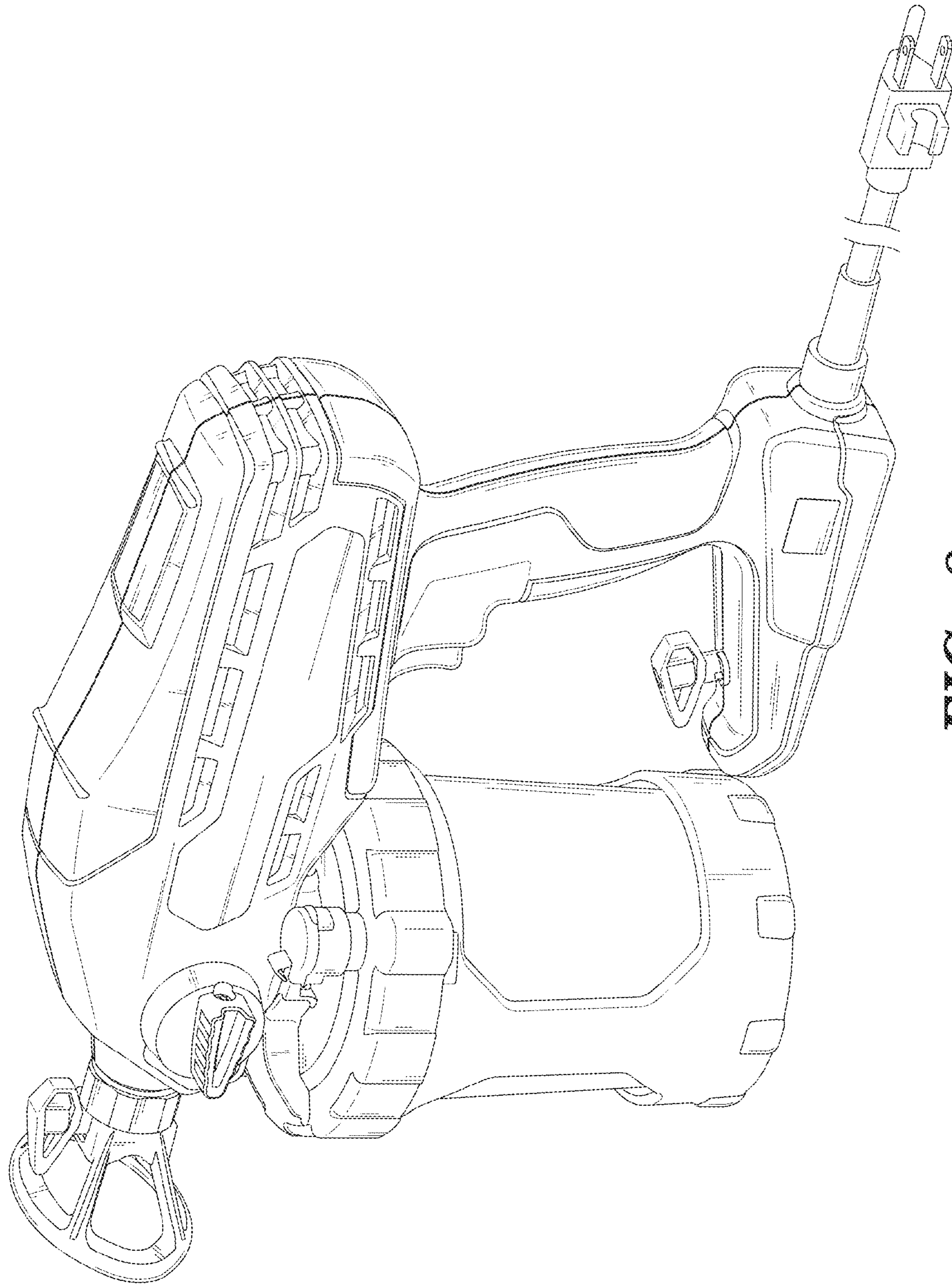


**FIG. 6**

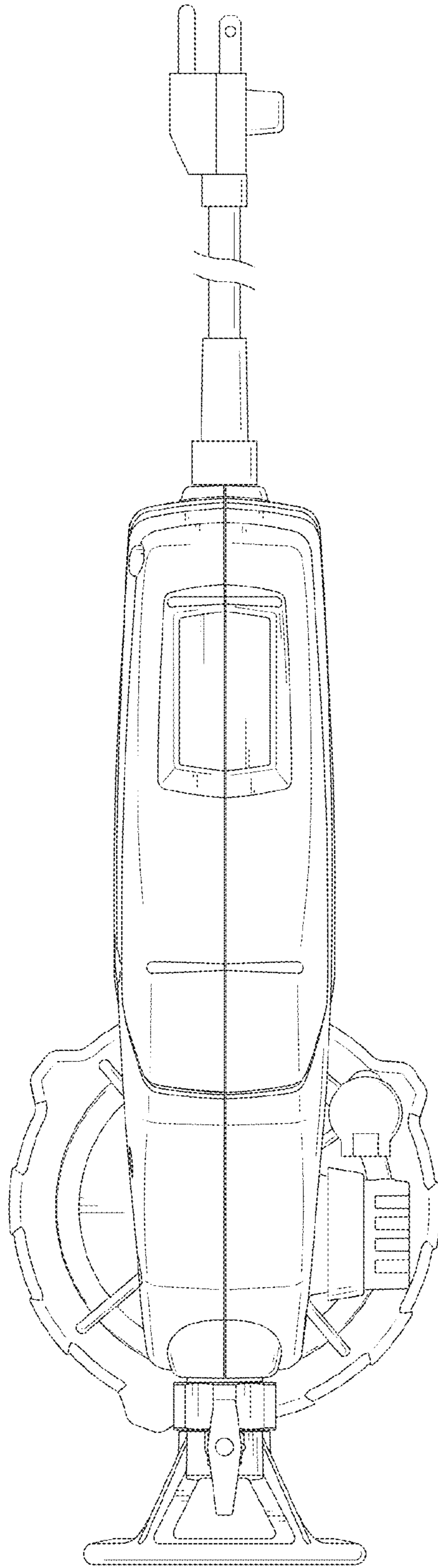


**FIG. 7**

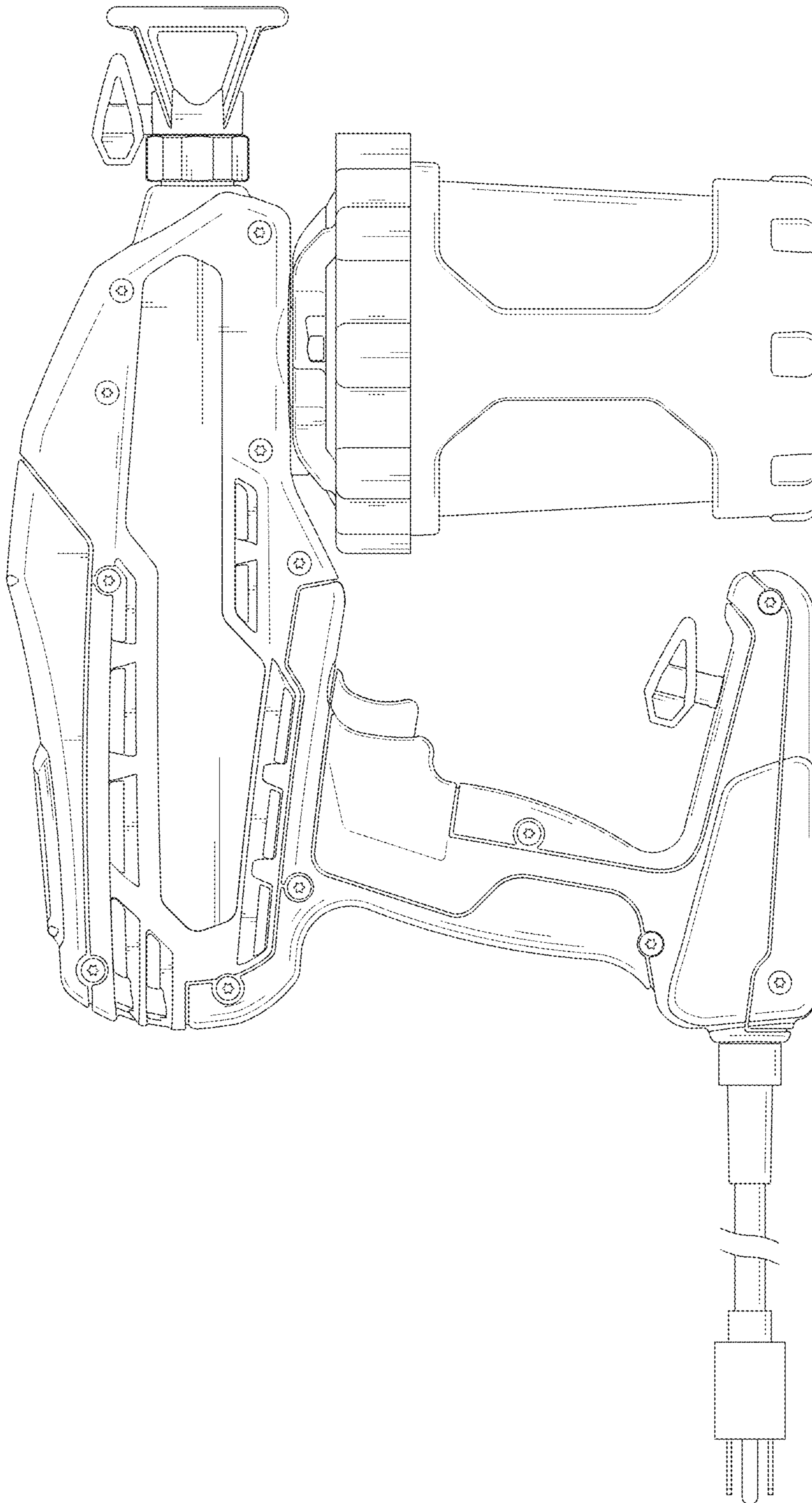




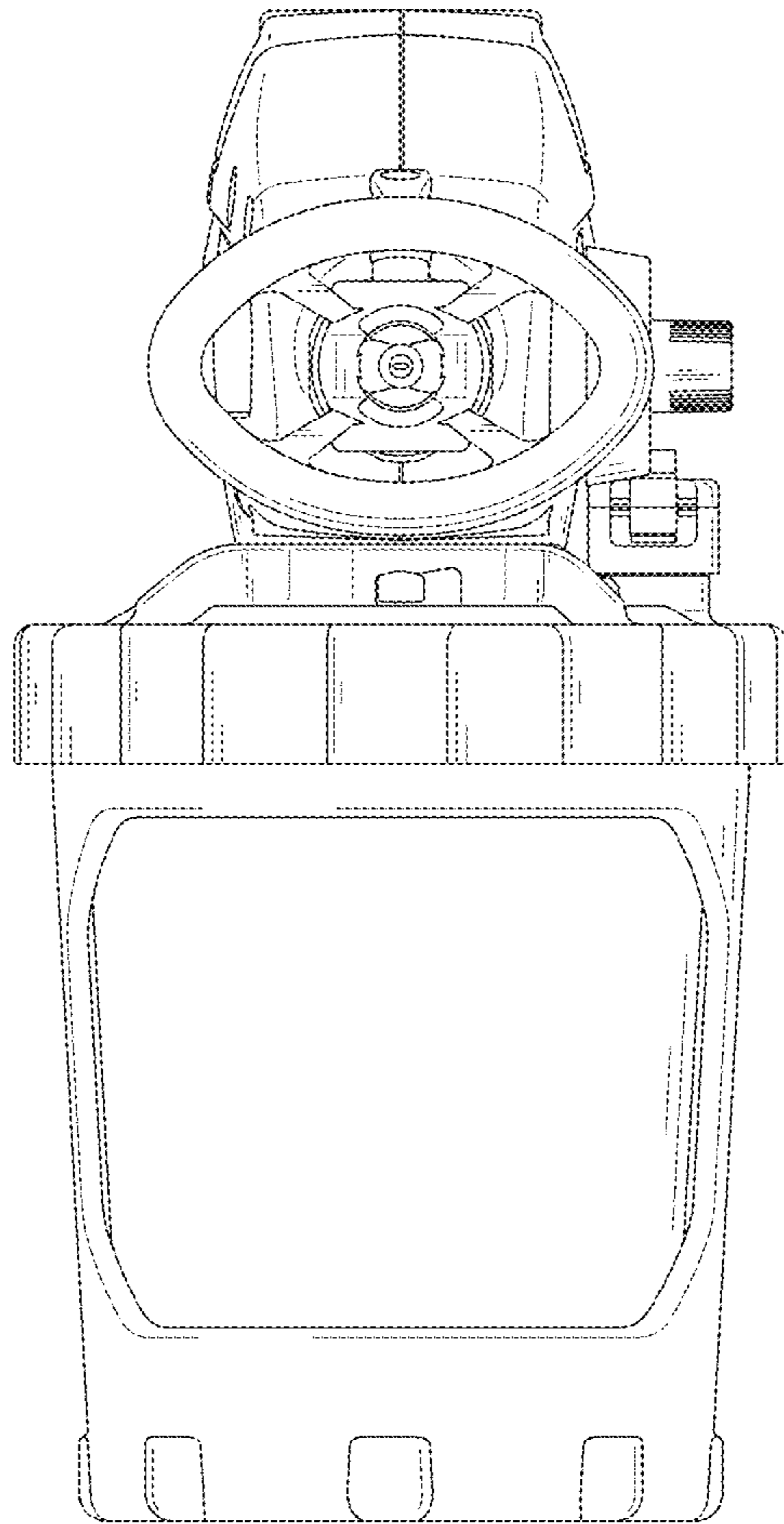
**FIG. 8**



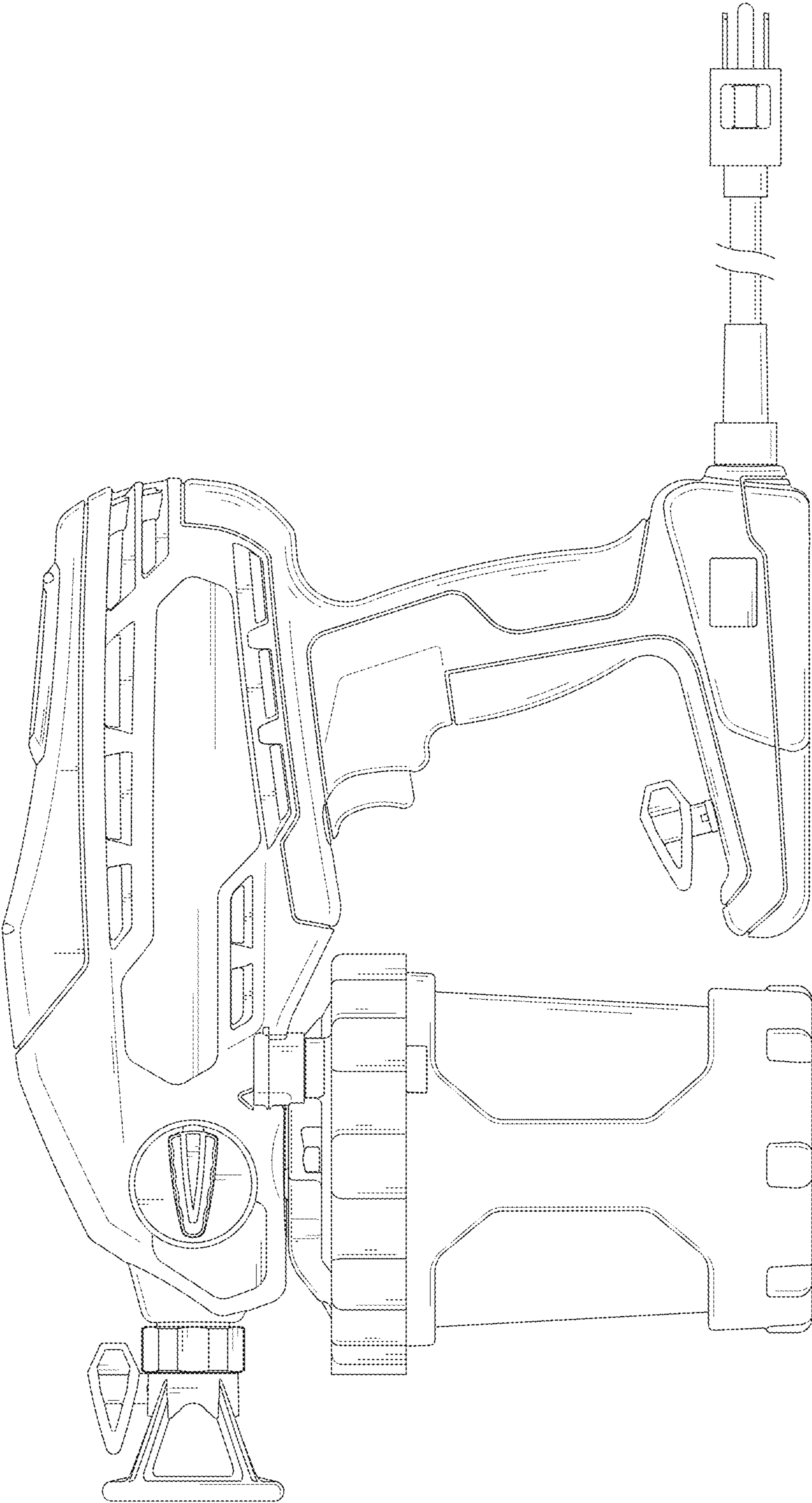
**FIG. 9**



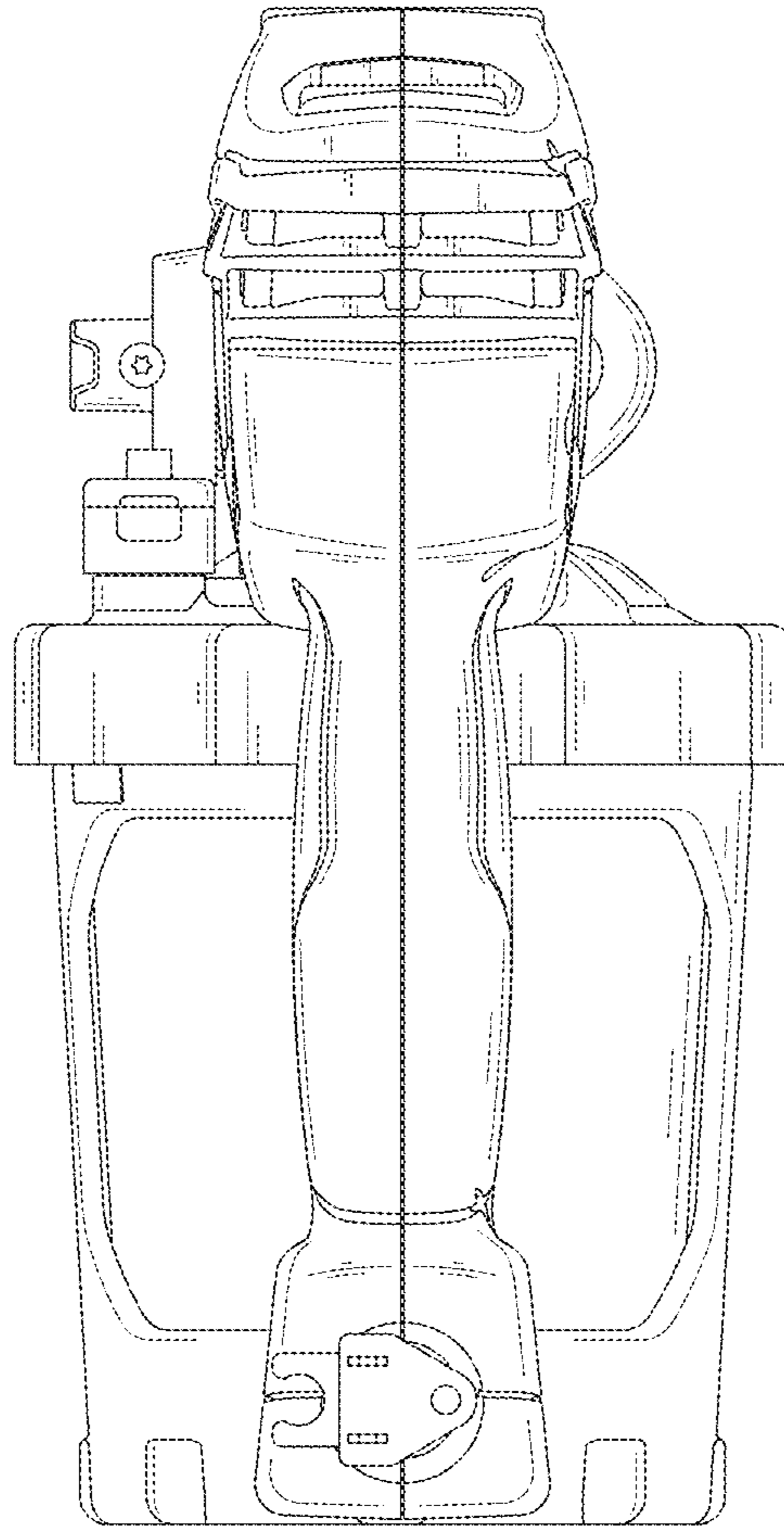
**FIG. 10**



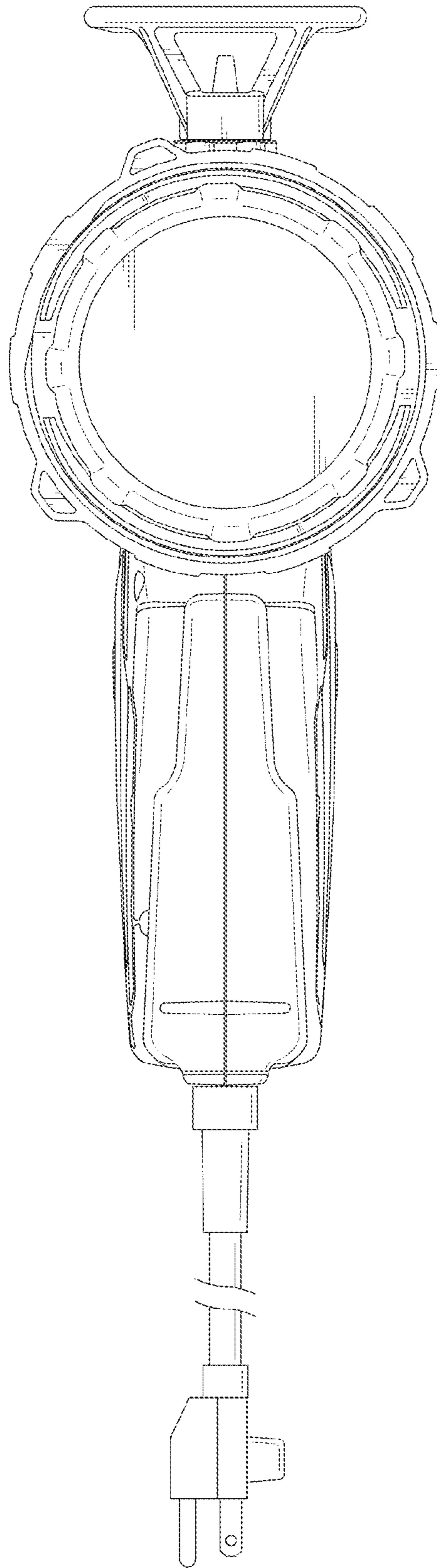
***FIG. 11***



**FIG. 12**



**FIG. 13**



**FIG. 14**