



US00D758535S

(12) **United States Design Patent**
Clarey

(10) **Patent No.:** **US D758,535 S**

(45) **Date of Patent:** **** Jun. 7, 2016**

(54) **SPRAY TANK BODY**

(71) Applicant: **The Fountainhead Group, Inc.**, New York Mills, NY (US)

(72) Inventor: **Andrew C. Clarey**, Clinton, NY (US)

(73) Assignee: **The Fountainhead Group, Inc.**, New York Mills, NY (US)

(**) Term: **14 Years**

(21) Appl. No.: **29/518,707**

(22) Filed: **Feb. 26, 2015**

(51) **LOC (10) Cl.** **23-01**

(52) **U.S. Cl.**
USPC **D23/225**

(58) **Field of Classification Search**
USPC D23/213, 225, 226, 202; 239/332, 308,
239/302, 337, 373, 152-154; 222/383.1
CPC B05B 5/1691; B05B 7/241; B05B 7/2405;
B05B 7/2408; B05B 9/08

See application file for complete search history.

(56) **References Cited**

U.S. PATENT DOCUMENTS

D639,388 S *	6/2011	Plantz	D23/225
D670,788 S *	11/2012	Plantz	D23/225
D713,005 S *	9/2014	Nicolia	D23/225
D713,501 S *	9/2014	Nicolia	D23/225

* cited by examiner

Primary Examiner — Robin V Webster

(74) *Attorney, Agent, or Firm* — Bond Schoeneck & King, PLLC; George McGuire

(57) **CLAIM**

The ornamental design for a spray tank body, as shown and described.

DESCRIPTION

FIG. 1 is a perspective view of a new and ornamental design for a spray tank body, with elements shown in phantom for environment only and forming no part of the claimed design; FIG. 2 is a front elevation view thereof; FIG. 3 is a rear elevation view thereof; FIG. 4 is a first side elevation view thereof; FIG. 5 is a second side elevation view thereof; FIG. 6 is a top plan view thereof; and, FIG. 7 is a bottom plan view thereof.

1 Claim, 7 Drawing Sheets



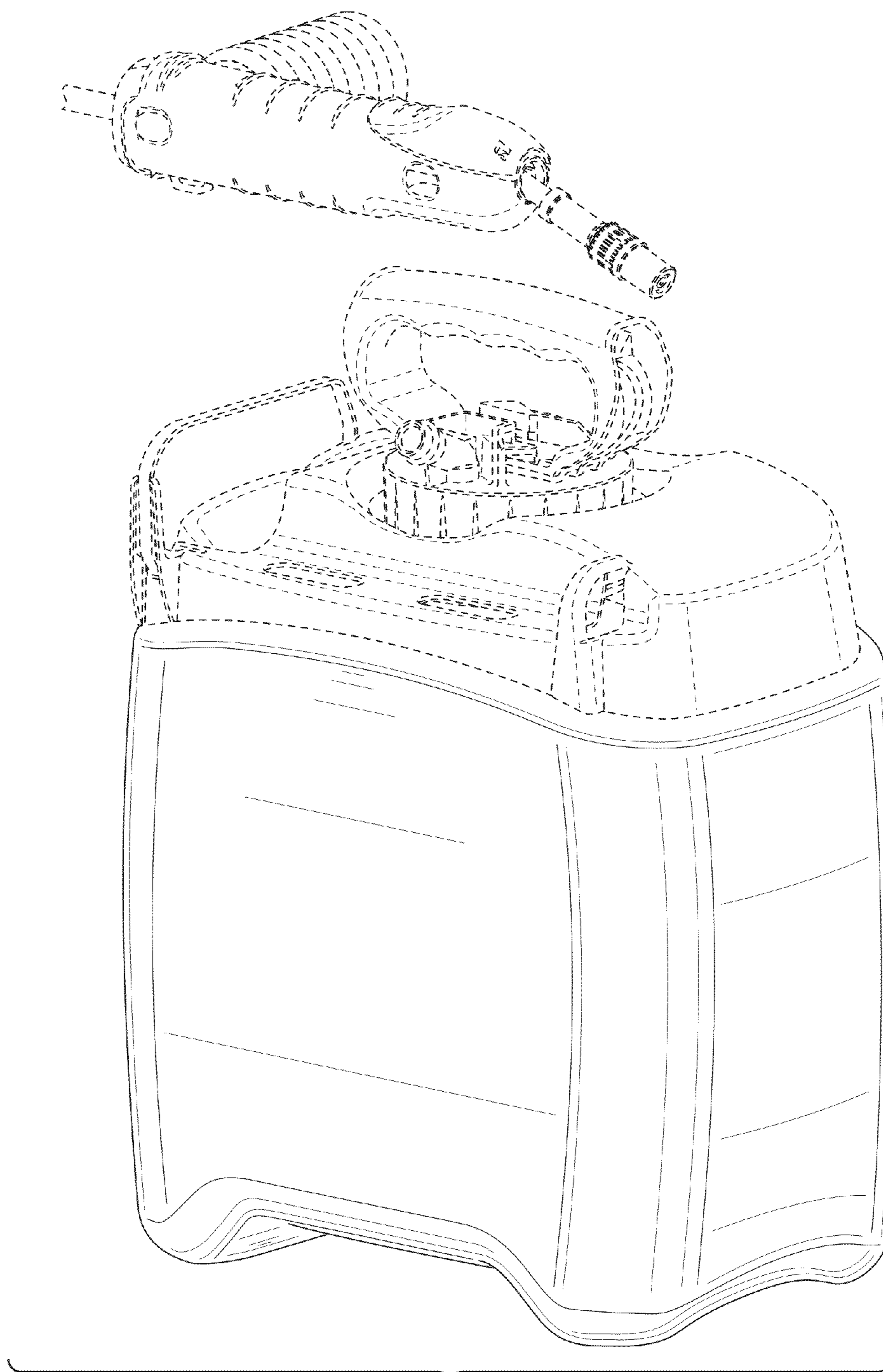


FIG. 1

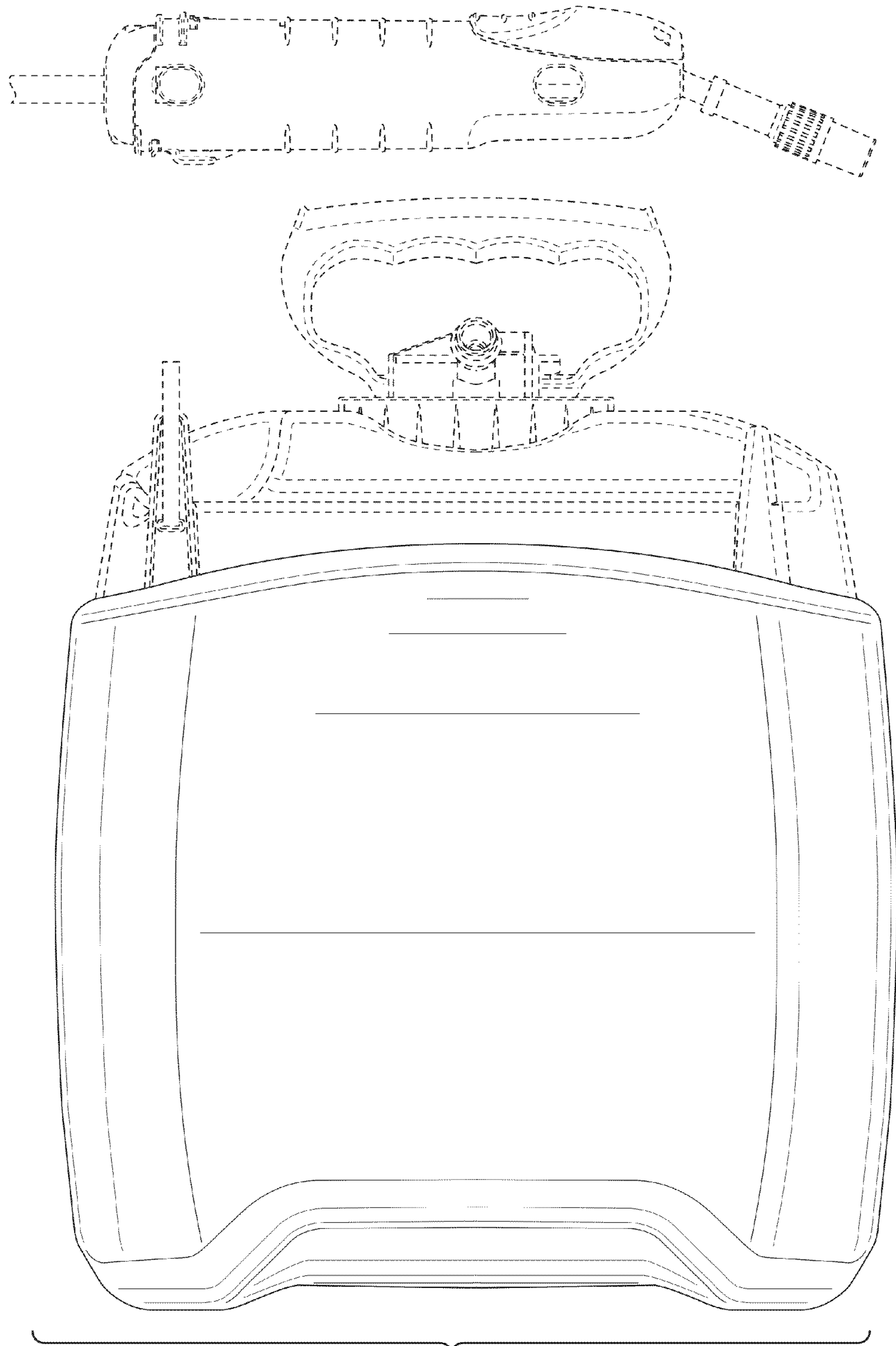


FIG. 2

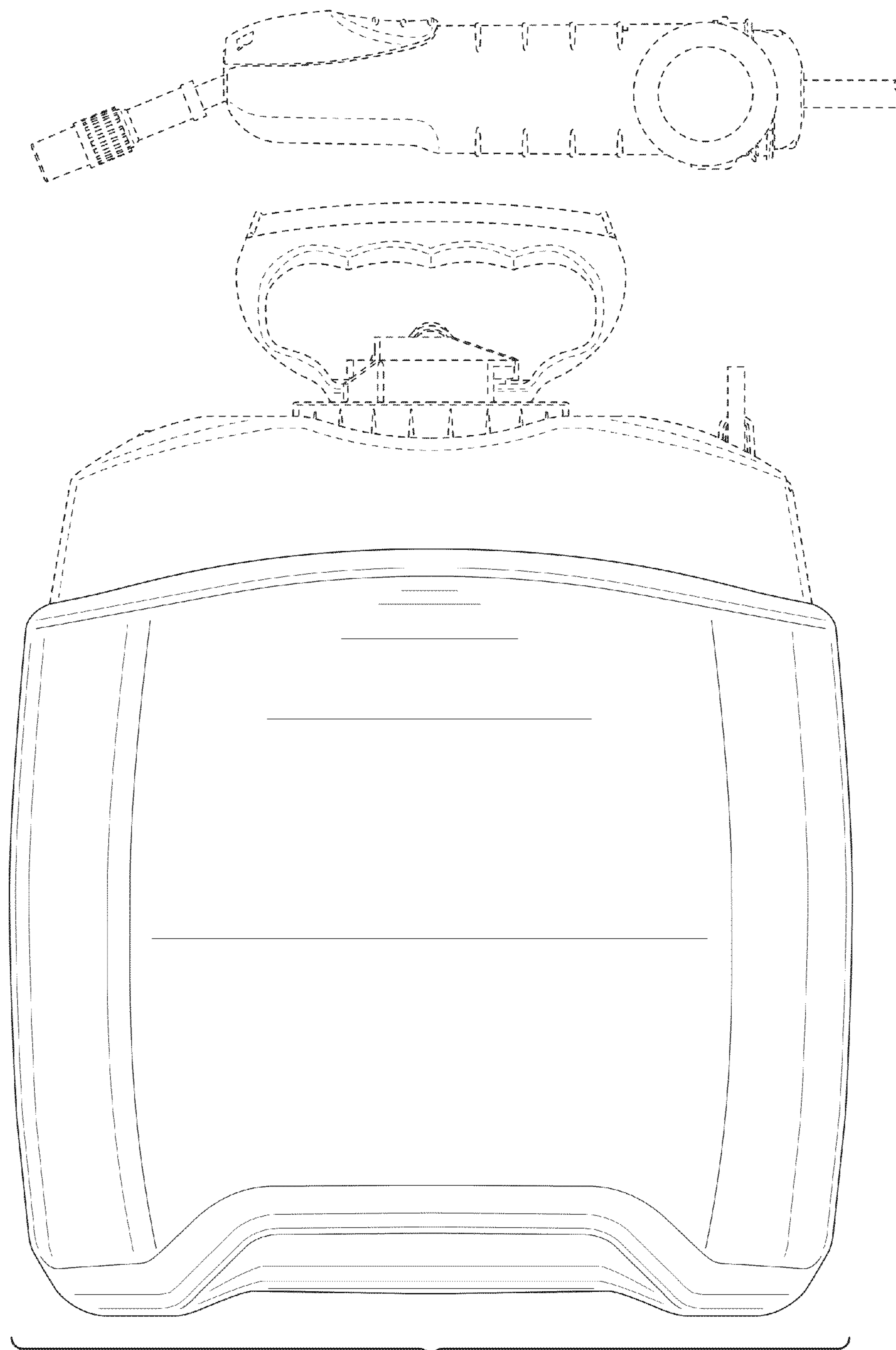


FIG. 3

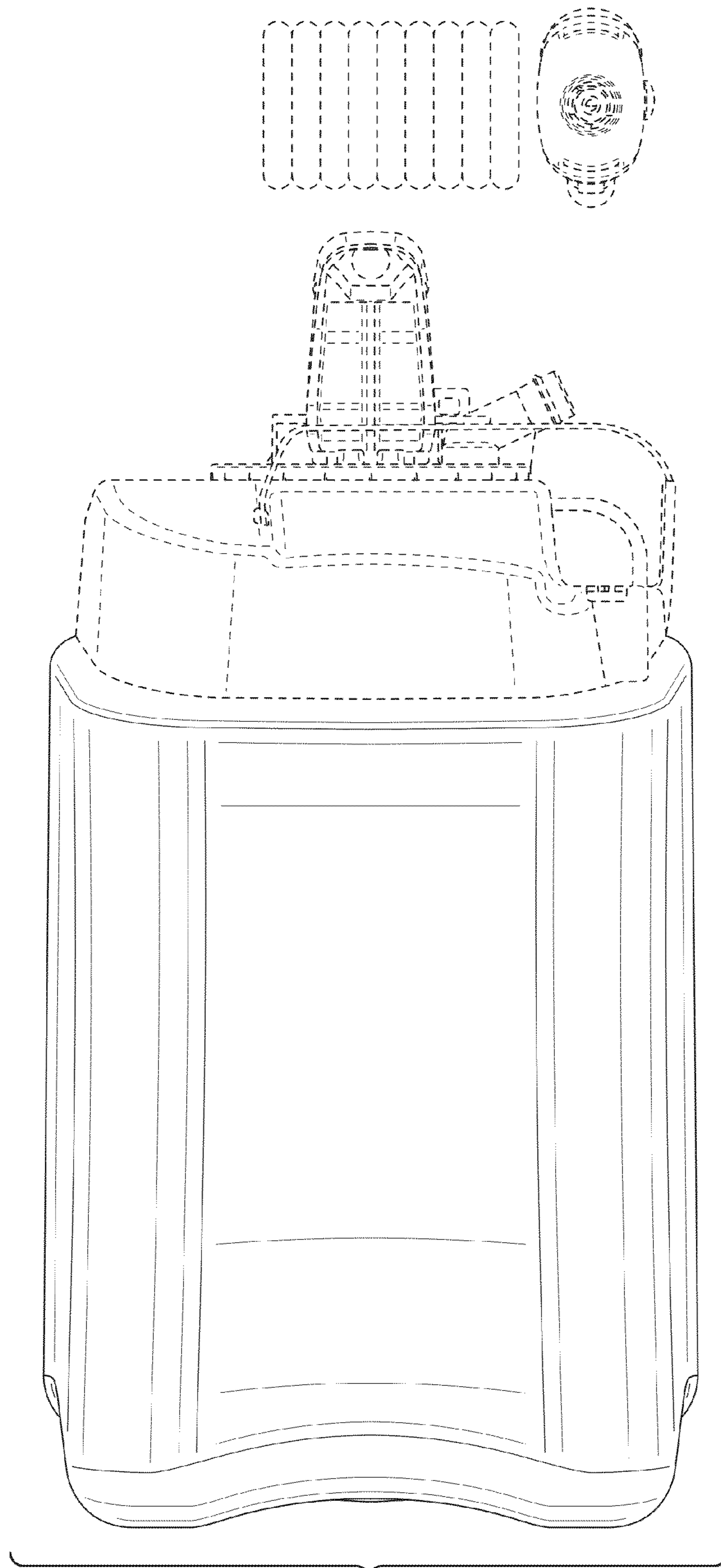


FIG. 4

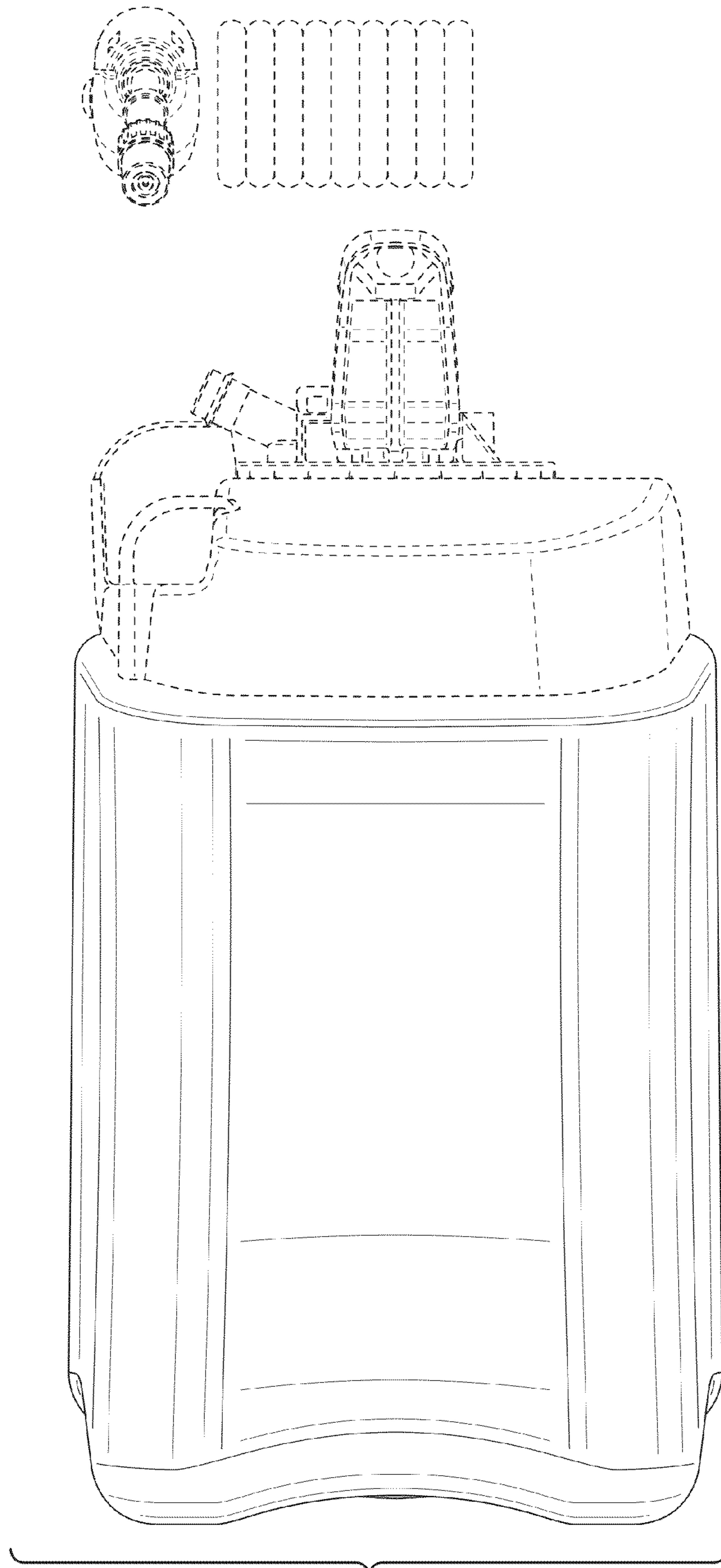


FIG. 5

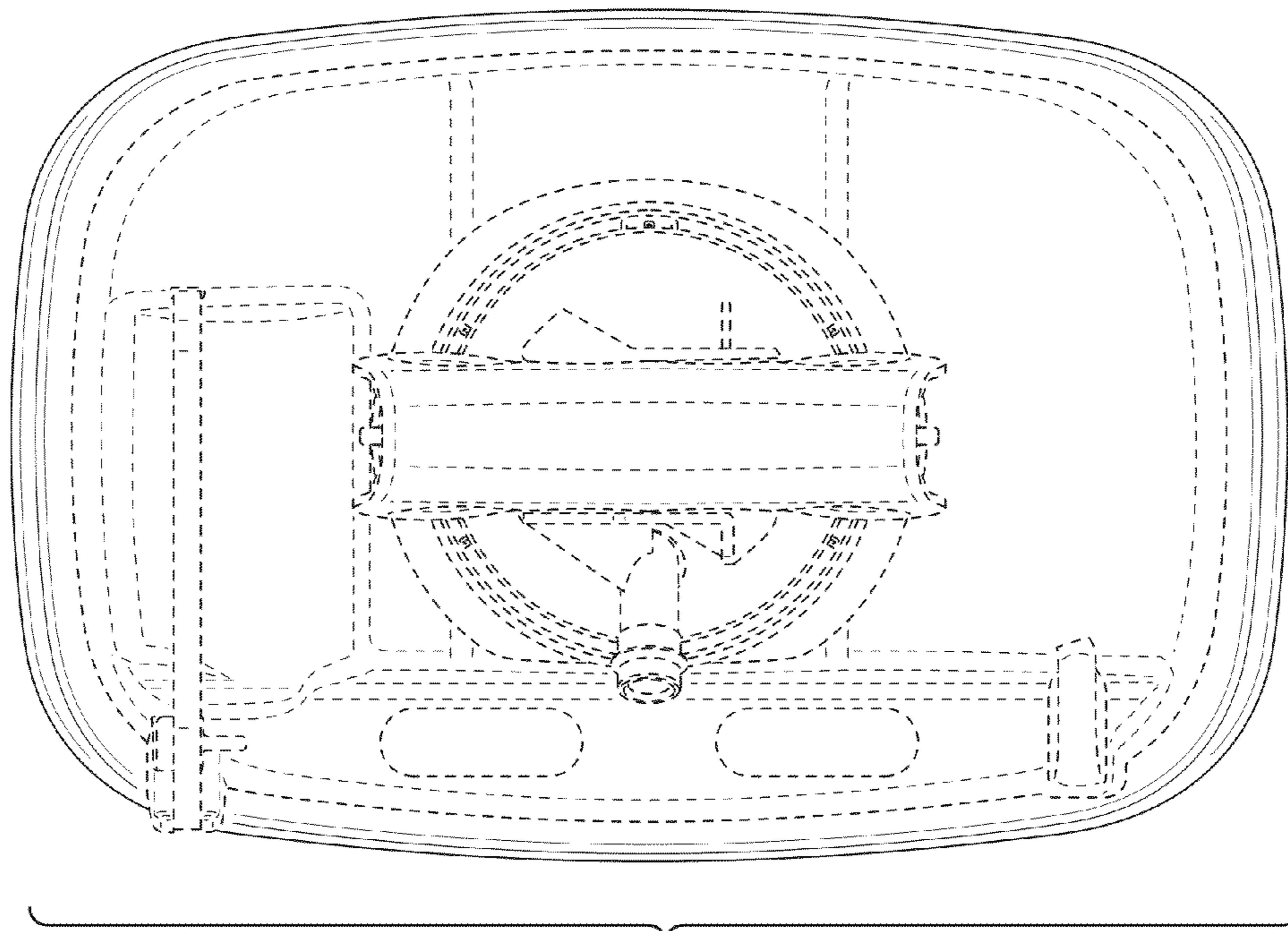
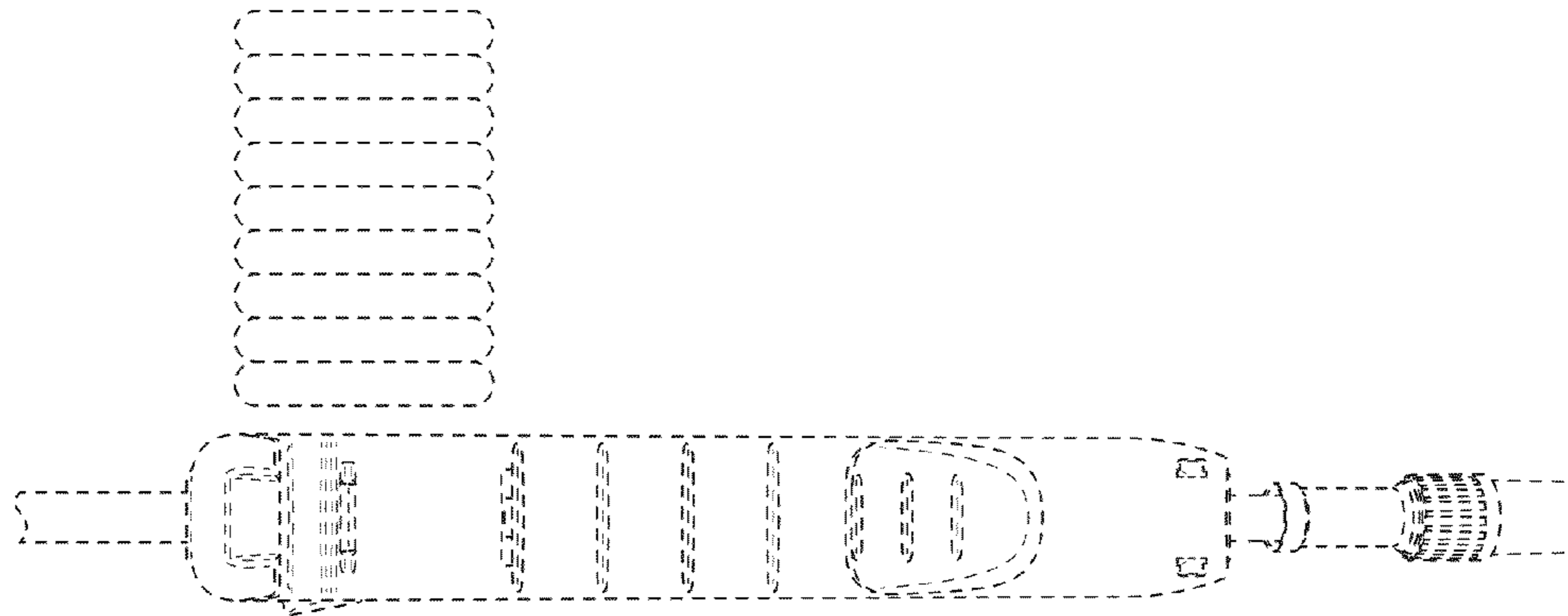


FIG. 6

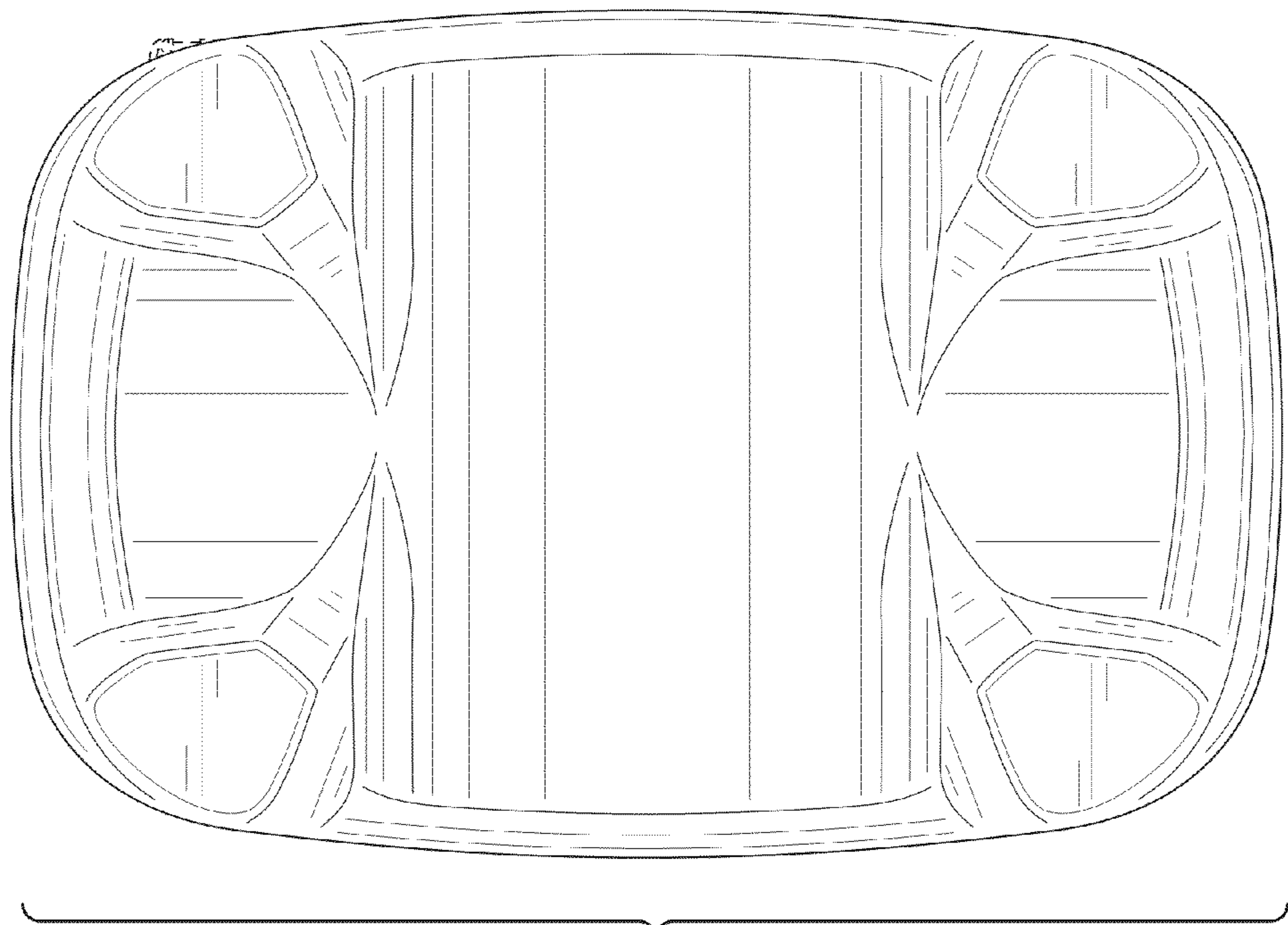
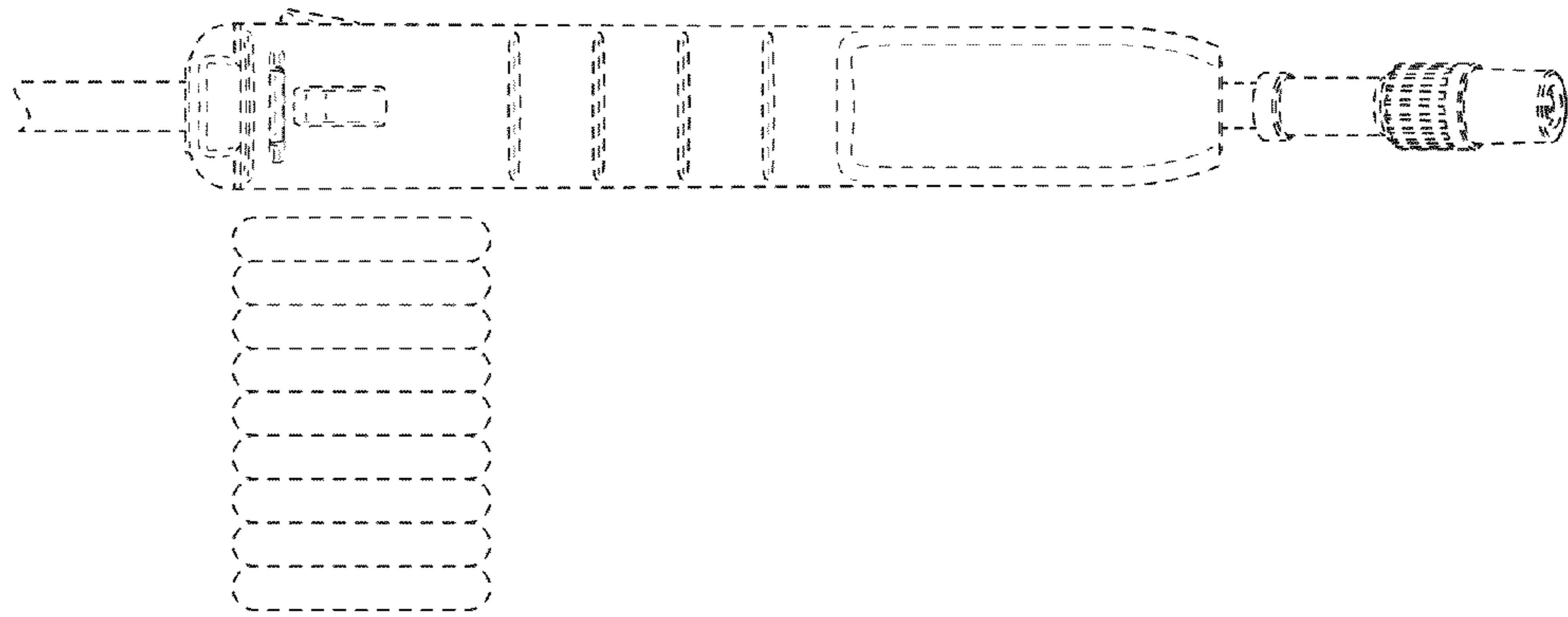


FIG. 7