



US00D758533S

(12) **United States Design Patent**  
**Dettlaff**

(10) **Patent No.:** **US D758,533 S**  
(45) **Date of Patent:** **\*\* Jun. 7, 2016**

(54) **PAINT SPRAY GUN CUP**  
(71) Applicant: **SATA GmbH & Co. KG**, Kornwestheim (DE)  
(72) Inventor: **Peter Dettlaff**, Remseck (DE)  
(73) Assignee: **SATA GmbH & Co. KG**, Kornwestheim (DE)  
(\*\*) Term: **14 Years**

6,877,677 B2 \* 4/2005 Schmon ..... B05B 7/2408  
239/346  
7,083,119 B2 \* 8/2006 Bouic ..... B05B 7/2478  
239/345  
7,175,110 B2 \* 2/2007 Vicentini ..... B05B 7/2478  
239/302  
D574,926 S \* 8/2008 Huang ..... D23/225  
7,416,140 B2 \* 8/2008 Camilleri ..... B05B 7/2478  
222/105  
7,694,896 B2 \* 4/2010 Turnbull ..... B05B 7/2478  
239/11  
D692,530 S \* 10/2013 Gehrung ..... D23/225  
D692,532 S \* 10/2013 Li ..... D23/225

(21) Appl. No.: **29/510,723**

\* cited by examiner

(22) Filed: **Dec. 2, 2014**

*Primary Examiner* — Robin V Webster

(30) **Foreign Application Priority Data**

(74) *Attorney, Agent, or Firm* — Paul D. Bianco; Fleit Gibbons Gutman Bongini & Bianco PL

Jun. 2, 2014 (EM) ..... 002474718

(51) **LOC (10) Cl.** ..... **23-01**

(57) **CLAIM**

(52) **U.S. Cl.**  
USPC ..... **D23/225**

The ornamental design for a paint spray gun cup, as shown and described.

(58) **Field of Classification Search**  
USPC ..... D23/213, 225; 239/308, 345, 690,  
239/690.1, 290, 291; 361/227, 228  
CPC ..... B05B 9/08; B05B 7/2408; B05B 7/2405;  
B05B 7/241; B05B 7/2421  
See application file for complete search history.

**DESCRIPTION**

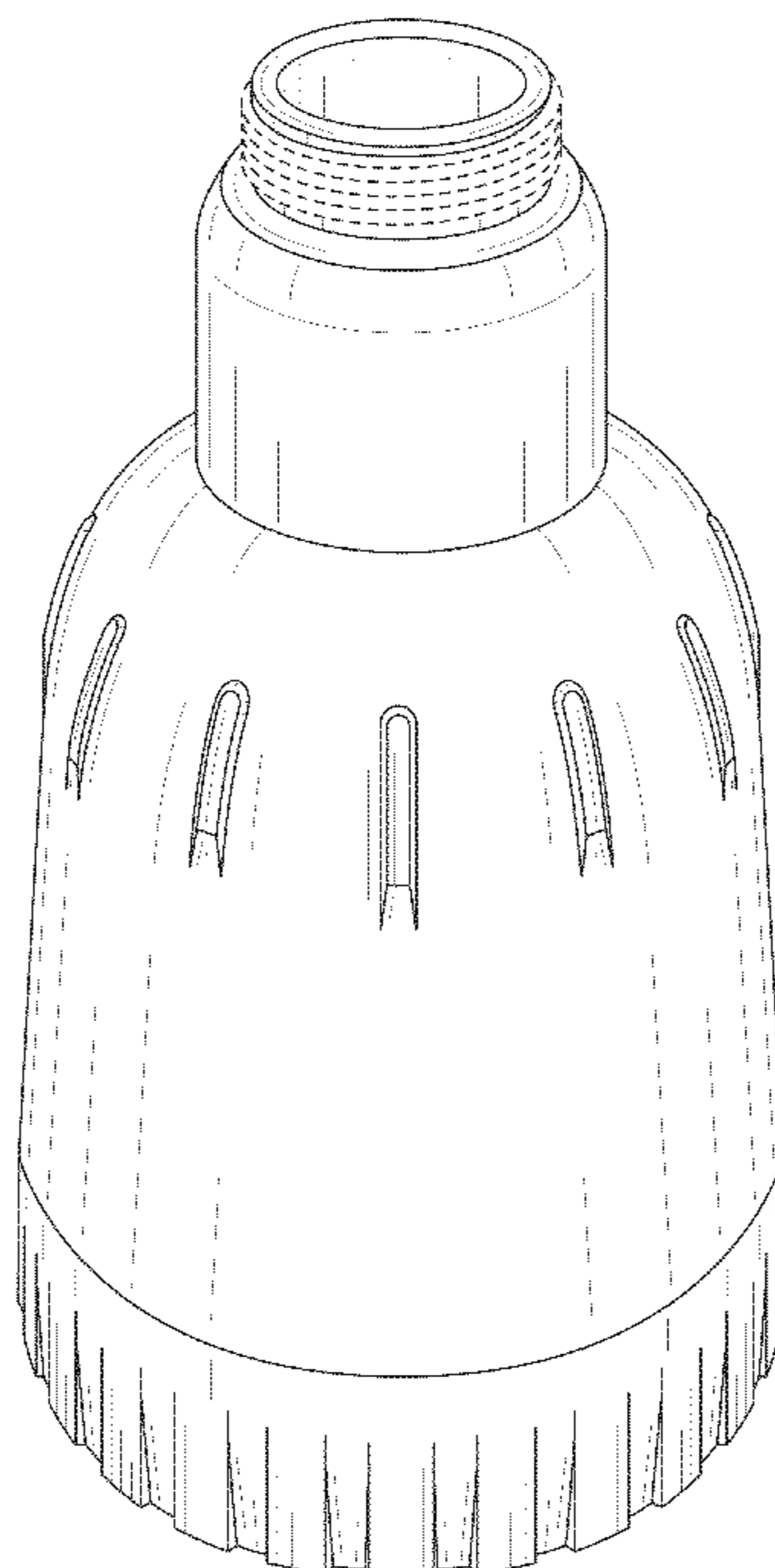
(56) **References Cited**

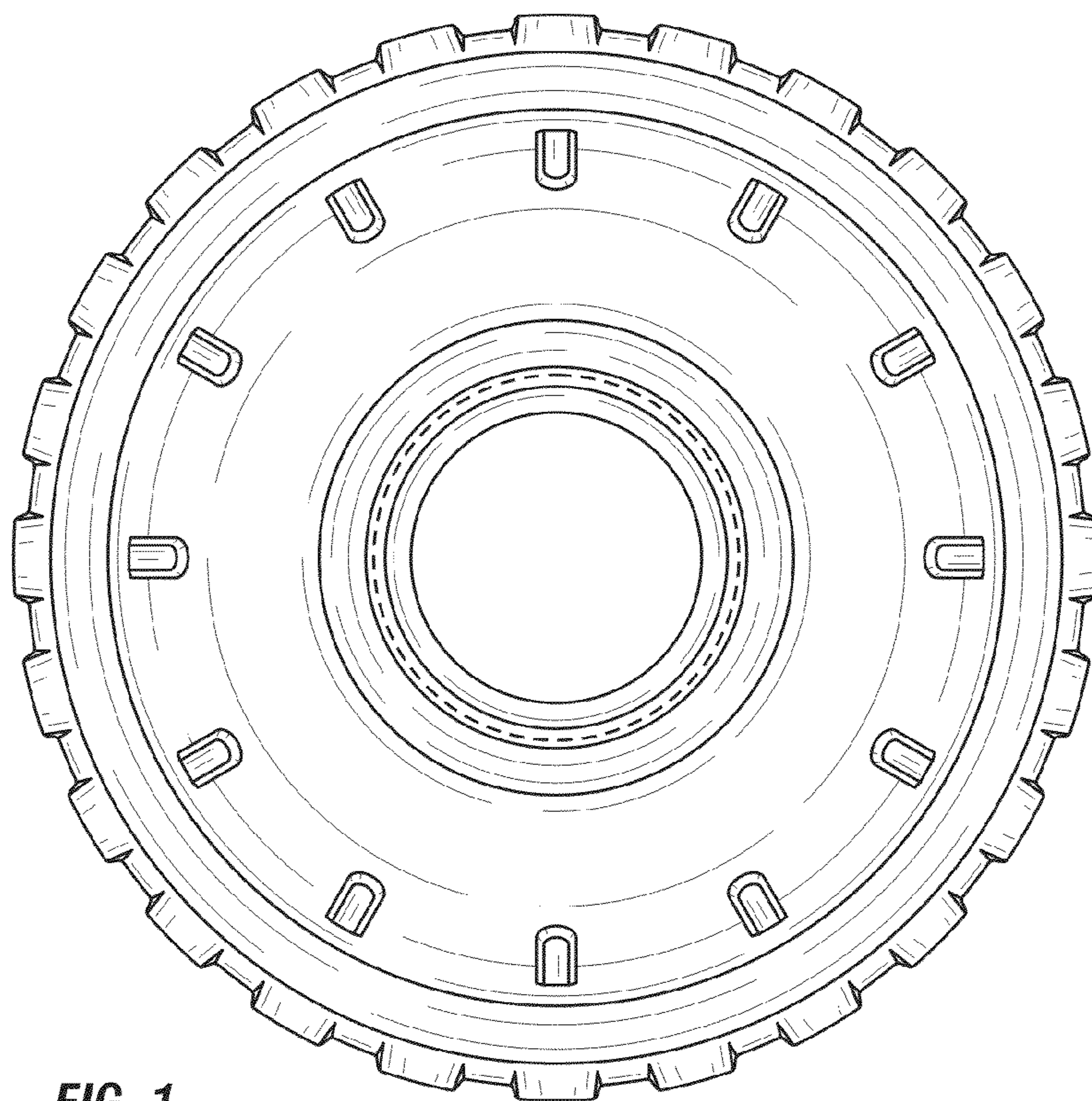
FIG. 1 is a top view of a paint spray gun cup according to the present invention;  
FIG. 2 is a bottom view of the paint spray gun cup of FIG. 1;  
FIG. 3 is a side view of the paint spray gun cup of FIG. 1, with all other side view orientations being identical; and,  
FIG. 4 is a perspective view of the paint spray gun cup of FIG. 1.  
The broken line showing is included for the purpose of illustrating and forms no part of the claimed design.

**U.S. PATENT DOCUMENTS**

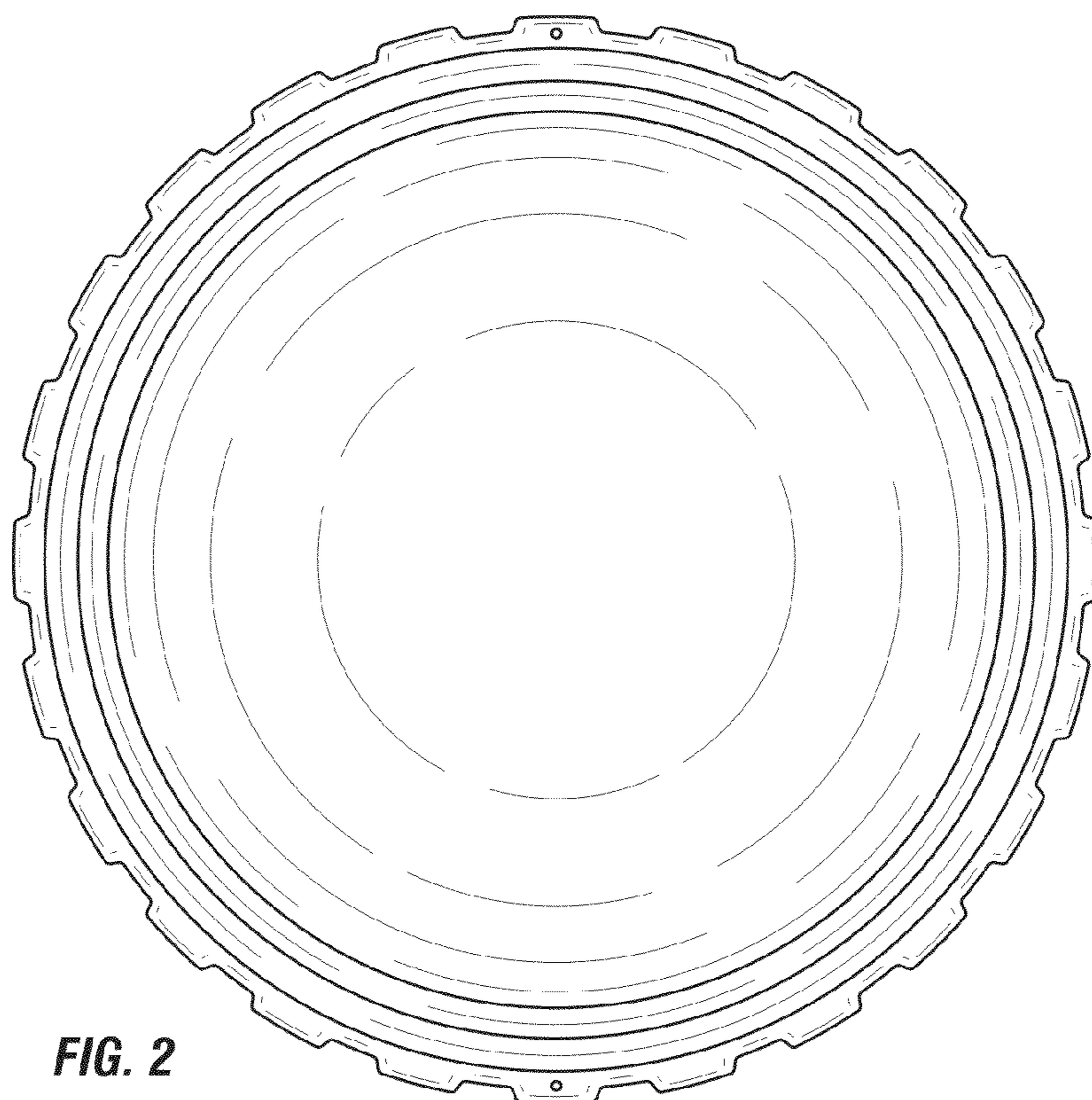
6,435,426 B1 \* 8/2002 Copp, Jr. .... B05B 7/2408  
215/349  
D474,528 S \* 5/2003 Huang ..... D23/225

**1 Claim, 3 Drawing Sheets**

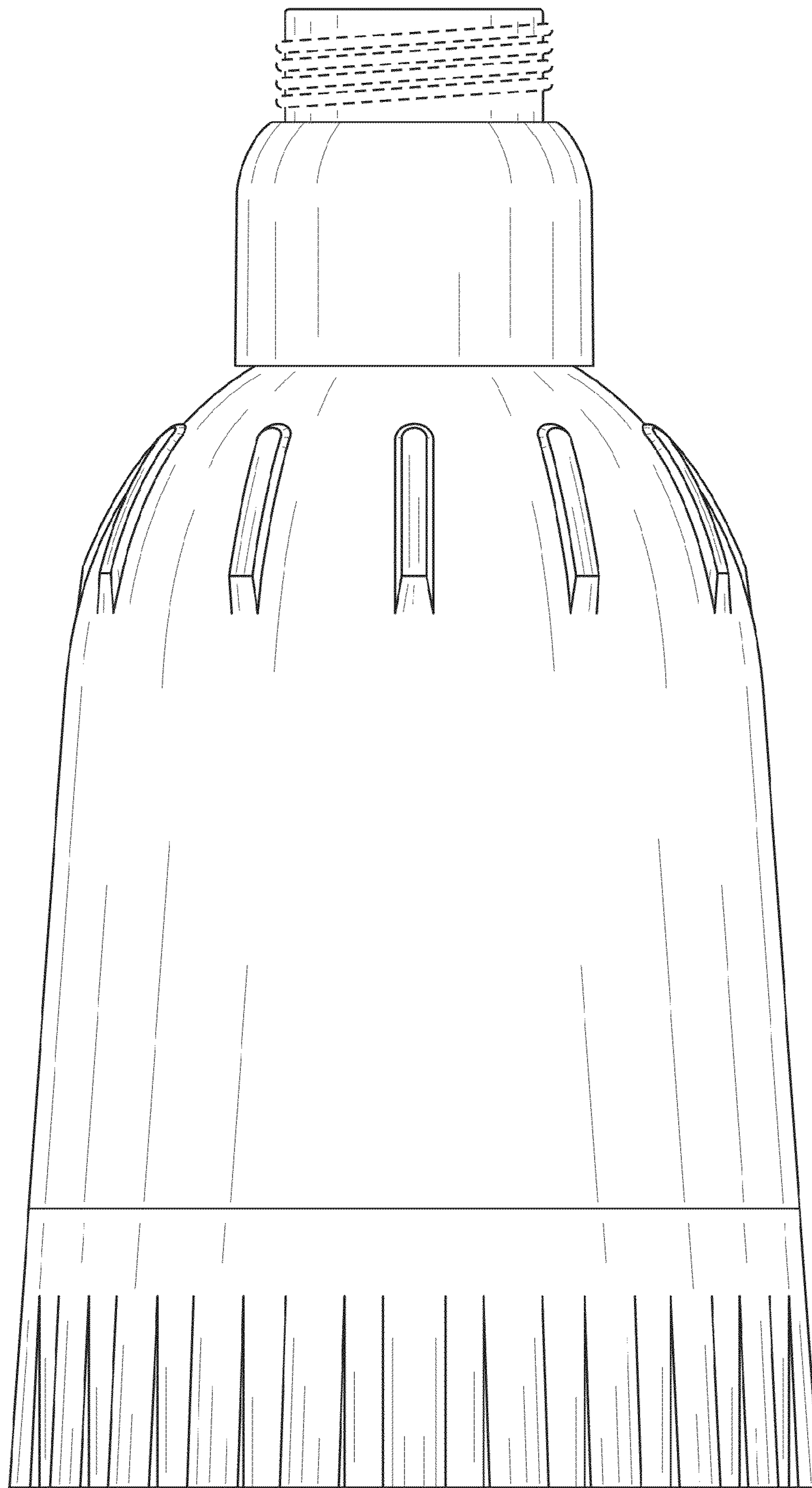




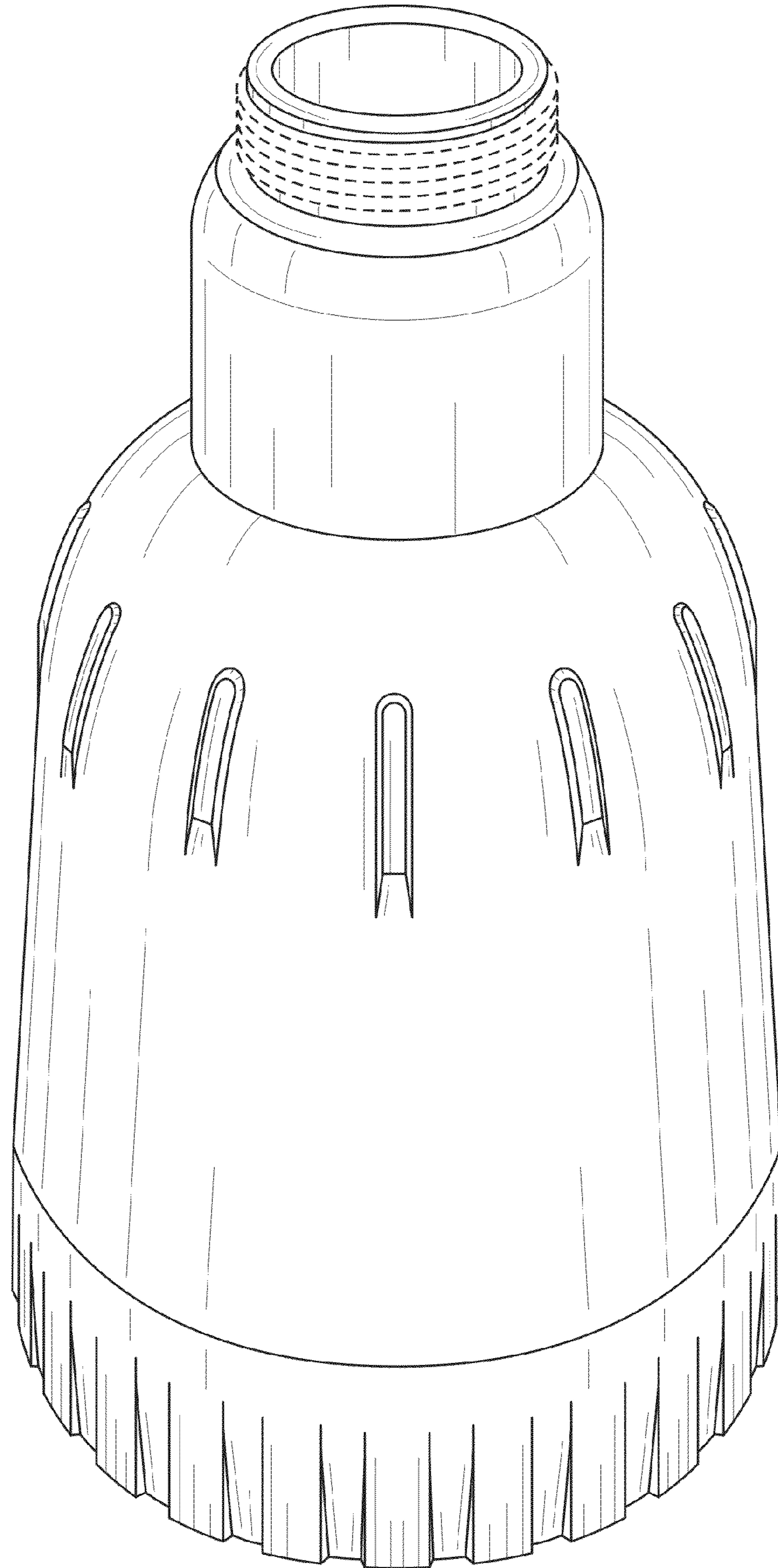
**FIG. 1**



**FIG. 2**



**FIG. 3**



**FIG. 4**