



US00D758531S

(12) **United States Design Patent**
Williams

(10) **Patent No.:** **US D758,531 S**
(45) **Date of Patent:** **** *Jun. 7, 2016**

- (54) **FLUID APPLICATOR**
- (71) Applicant: **Craig A. Williams**, Maumee, OH (US)
- (72) Inventor: **Craig A. Williams**, Maumee, OH (US)
- (73) Assignee: **Designetics, Inc.**, Holland, OH (US)
- (*) Notice: This patent is subject to a terminal disclaimer.
- (**) Term: **14 Years**
- (21) Appl. No.: **29/496,401**
- (22) Filed: **Jul. 11, 2014**
- (51) **LOC (10) Cl.** **23-01**
- (52) **U.S. Cl.**
USPC **D23/213**
- (58) **Field of Classification Search**
USPC D23/213; 239/601; 401/55, 205, 206,
401/266
See application file for complete search history.

8,753,027	B2 *	6/2014	Ballot	B43K 5/1845 401/205
D708,294	S *	7/2014	Spraw	D23/213
D708,299	S *	7/2014	Williams	D23/213
D708,698	S *	7/2014	Spraw	D23/213
D709,989	S *	7/2014	Spraw	D23/213
D714,905	S *	10/2014	Williams	D23/213
D714,906	S *	10/2014	Williams	D23/213
D714,907	S *	10/2014	Spraw	D23/213
D715,400	S *	10/2014	Spraw	D23/213
D715,897	S *	10/2014	Spraw	D23/213

* cited by examiner

Primary Examiner — Robin V Webster
(74) *Attorney, Agent, or Firm* — Donald K. Wedding

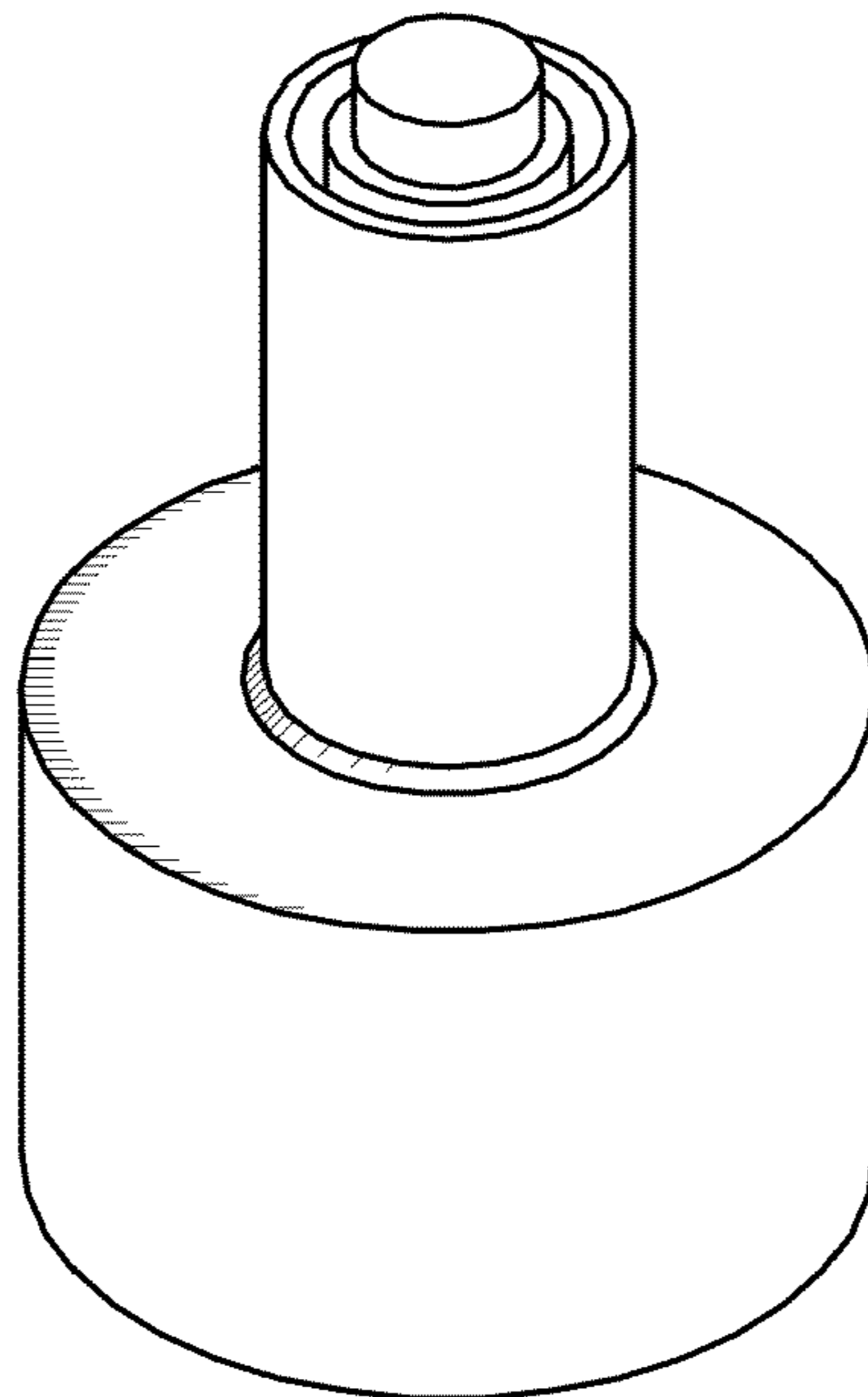
(57) **CLAIM**
The ornamental design for a fluid applicator, as shown and described.

DESCRIPTION

FIG. 1 is a perspective view of our ornamental design for a fluid applicator.
 FIG. 2 is a top view of our design shown in FIG. 1.
 FIG. 3 is a side plan view of our design with the other side plan view being identical.
 FIG. 4 is another side plan view of our design with the other side plan view being identical.
 FIG. 5 is a bottom view of our design shown in FIG. 1.
 FIG. 6 is a section 6-6 view of our design shown in FIG. 1; and,
 FIG. 7 is a section 7-7 view of our design shown in FIG. 1.
 The fluid applicator is used to apply a fluid to a surface.
 The applicator is open at the distal end straight through up to and including the proximal end containing a wick.

1 Claim, 3 Drawing Sheets

- (56) **References Cited**
U.S. PATENT DOCUMENTS
- 3,589,820 A * 6/1971 Ward B29C 65/54
401/183
- 5,984,557 A * 11/1999 Fennell B05B 17/00516
401/193
- 6,176,442 B1 * 1/2001 Eicher B05B 1/00
239/591
- 6,547,167 B1 * 4/2003 Fugere B05C 11/10
239/589
- D504,936 S * 5/2005 Yeager D23/213
- D694,853 S * 12/2013 Williams D23/213
- D705,893 S * 5/2014 Williams D23/213



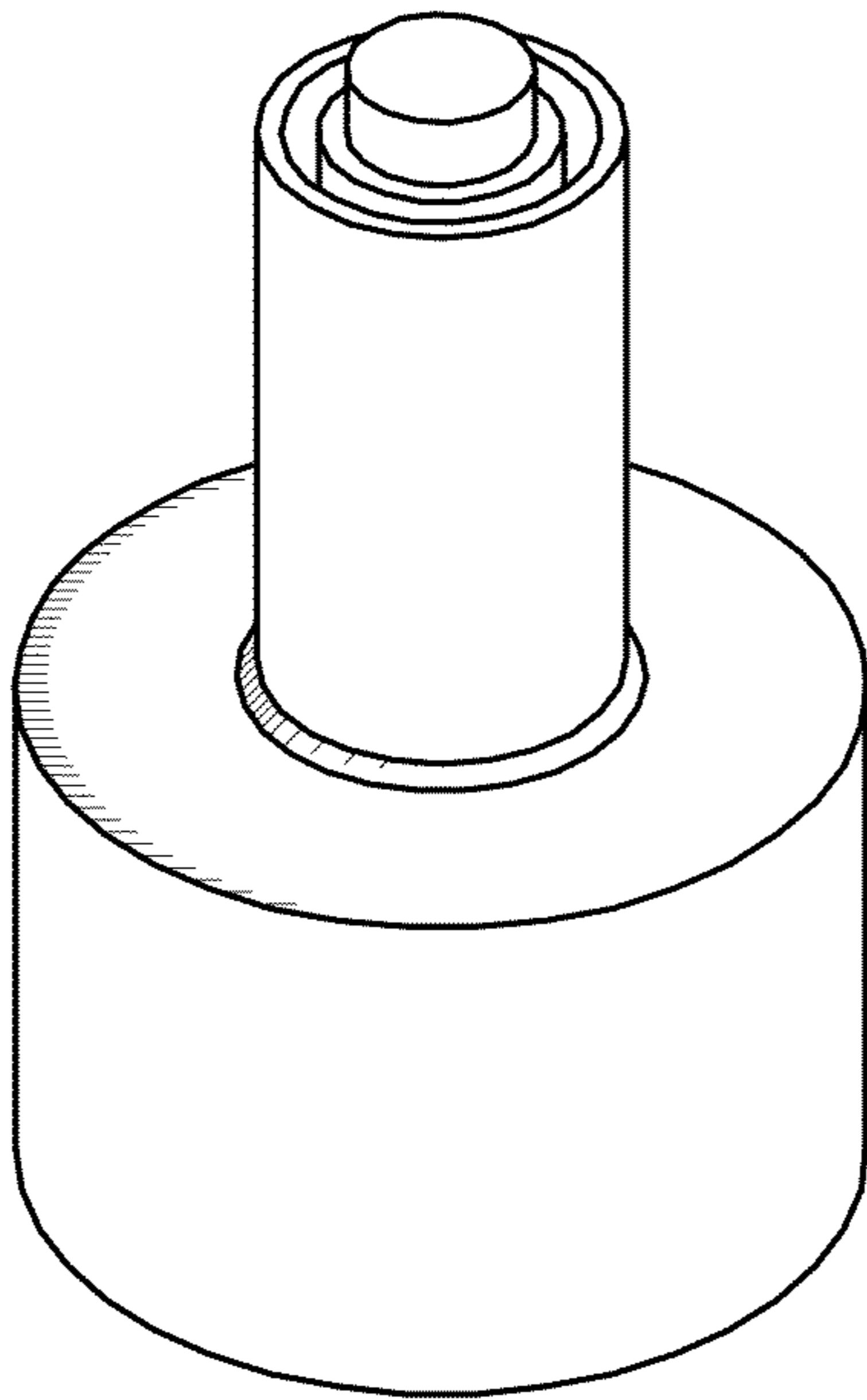


FIG. 1

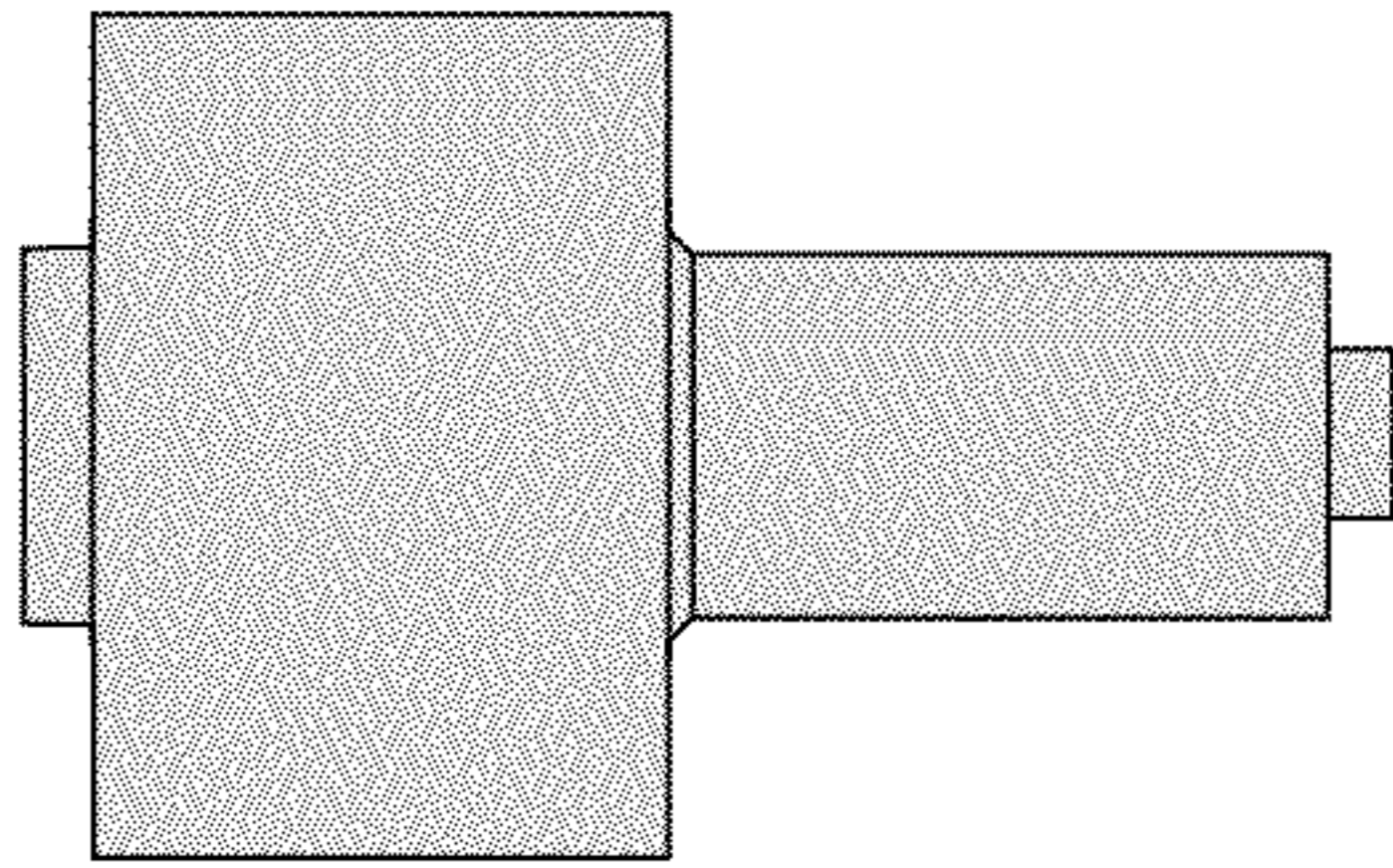


FIG. 3

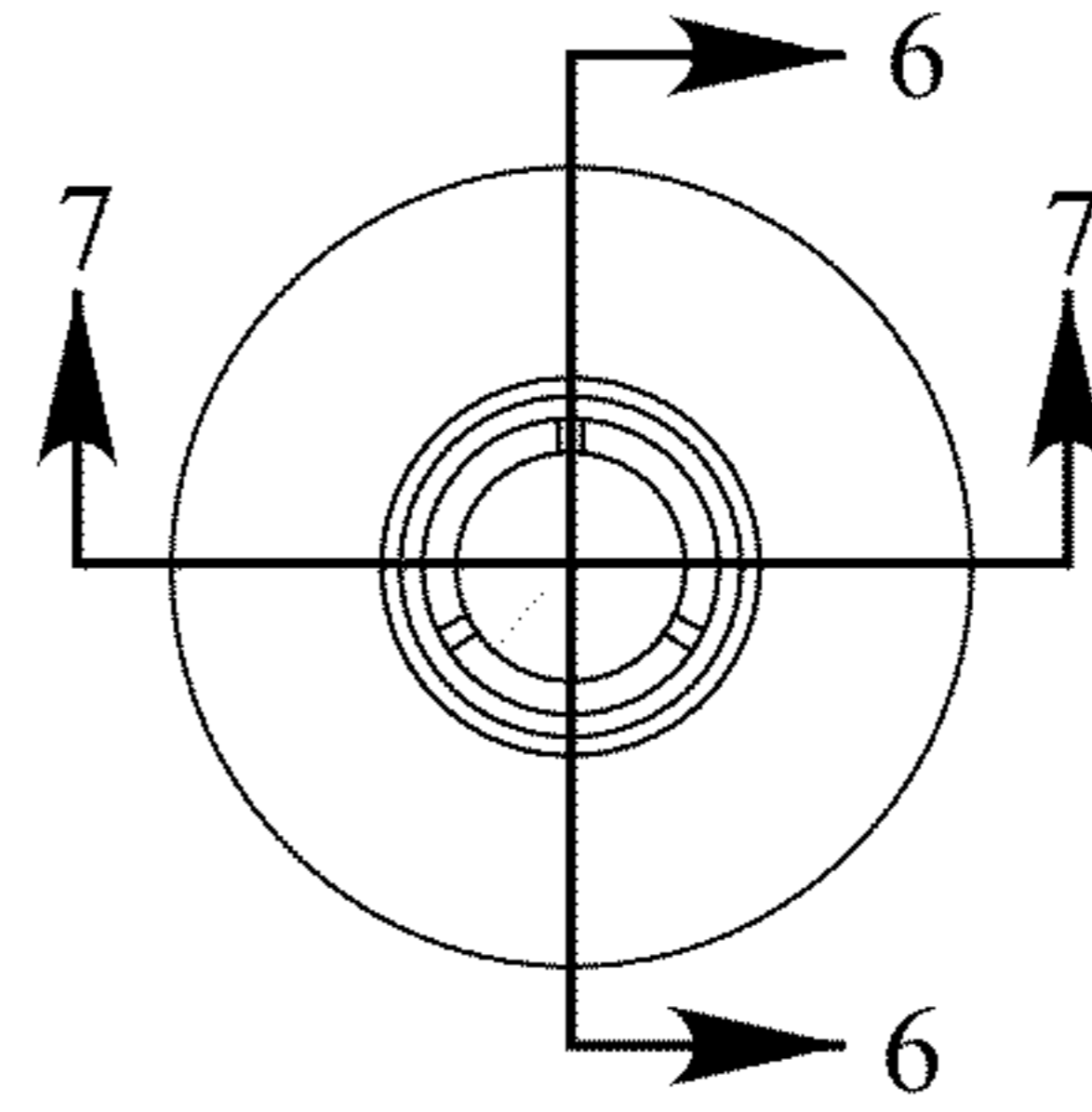


FIG. 2

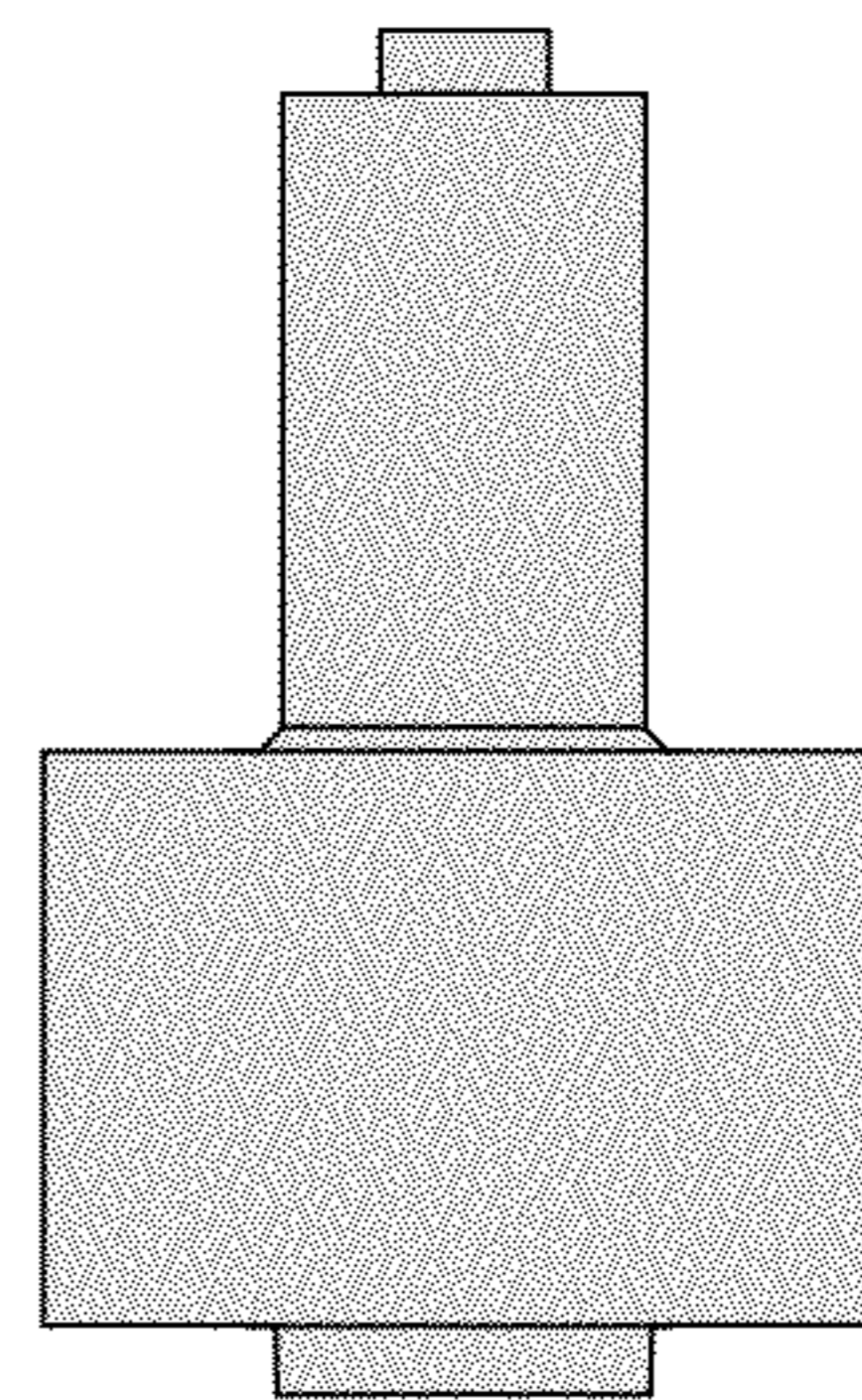


FIG. 4

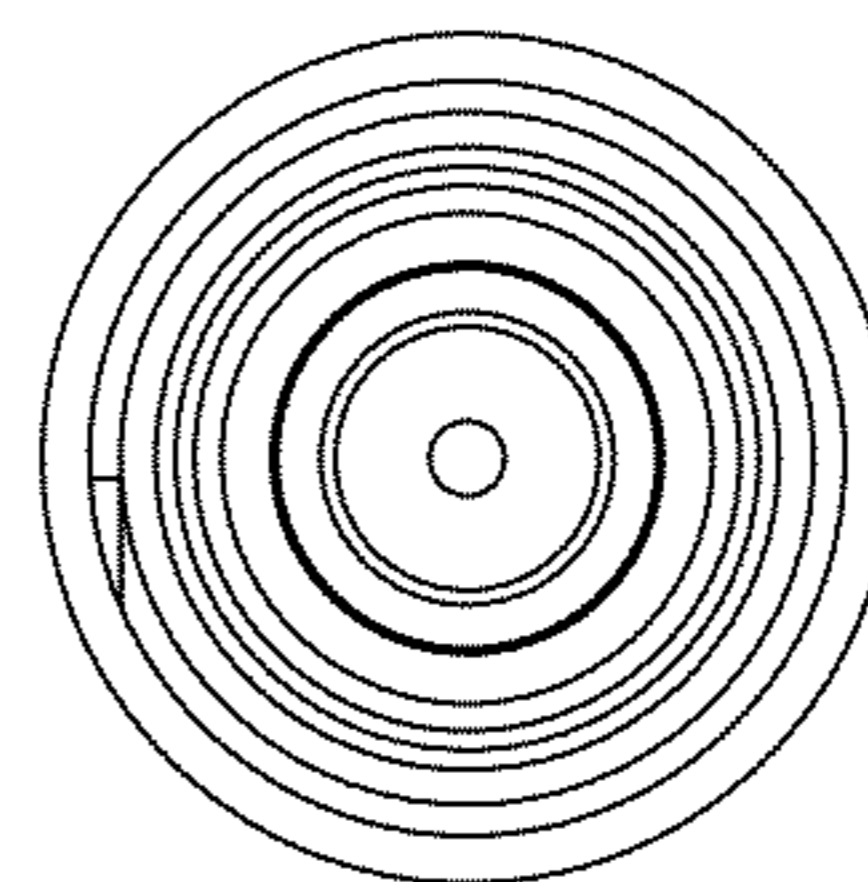


FIG. 5

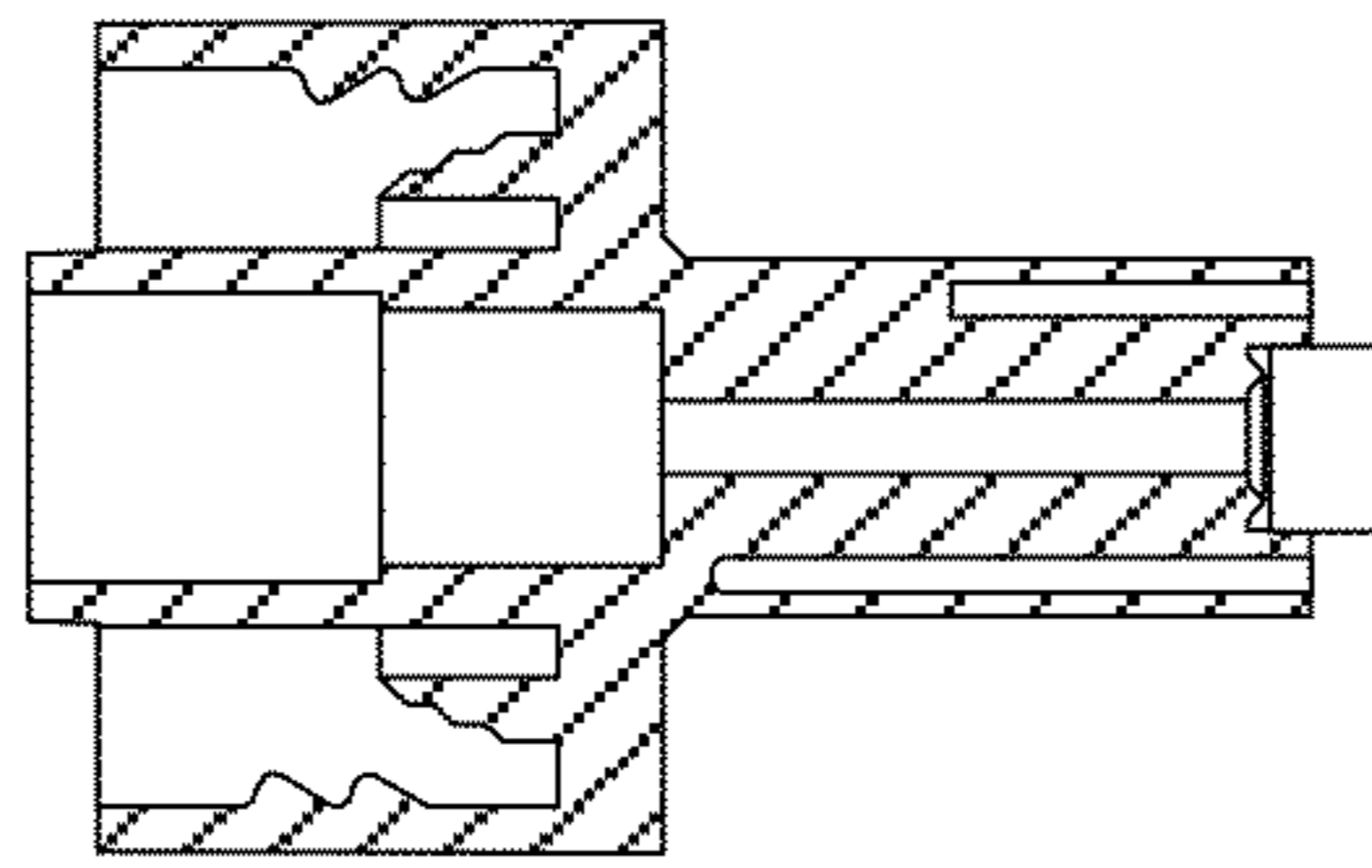


FIG. 6

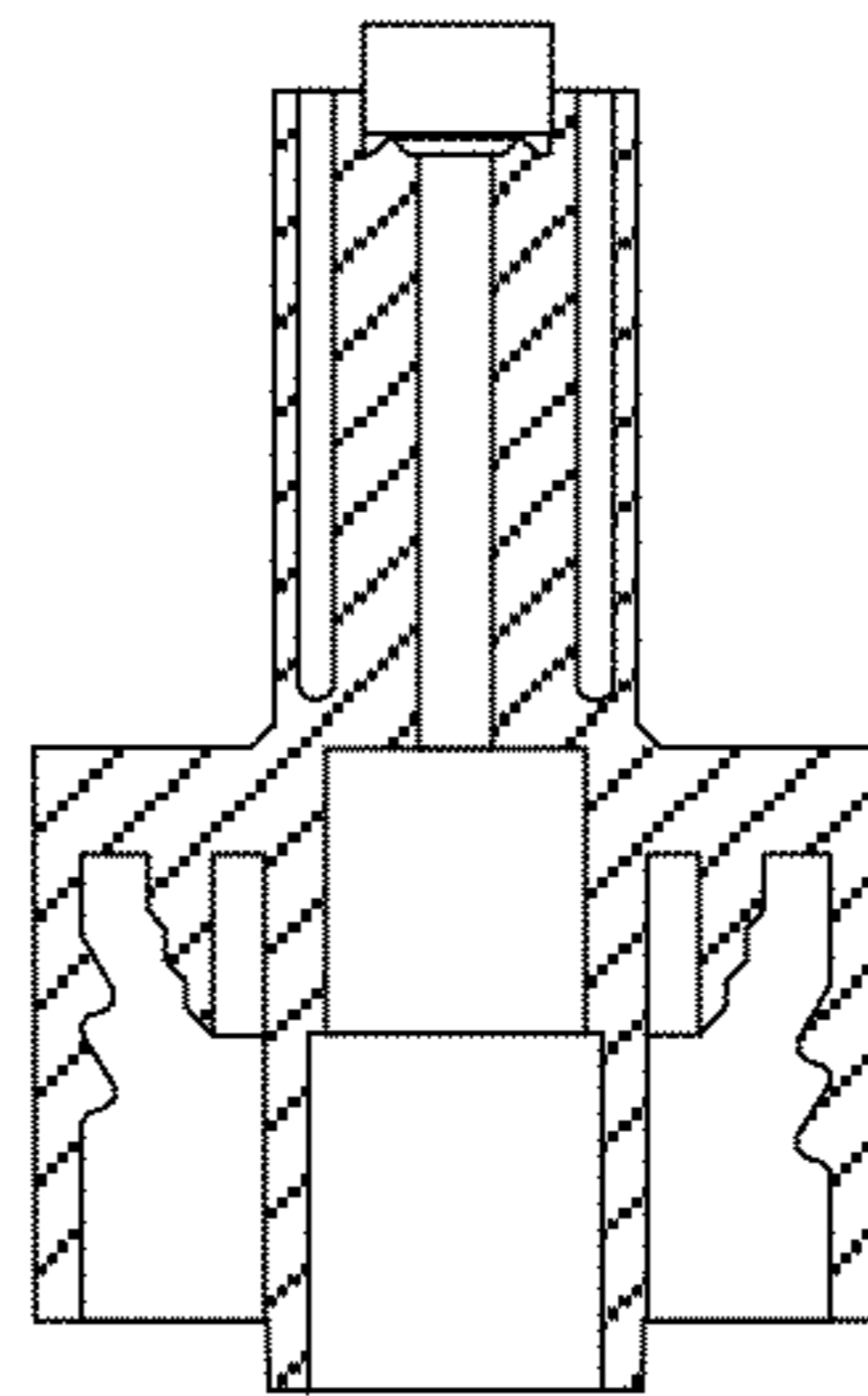


FIG. 7