



US00D758529S

(12) **United States Design Patent**  
**Boudreau et al.**

(10) **Patent No.:** **US D758,529 S**  
(45) **Date of Patent:** **\*\* Jun. 7, 2016**

(54) **FILTER CARTRIDGE WITH ADAPTER FOR JUG CONTAINER**

(71) Applicant: **KX Technologies LLC**, West Haven, CT (US)

(72) Inventors: **Kelly Boudreau**, Lake Elmo, MN (US); **Keith D. Johnson**, Woodbury, MN (US); **Michael J. Sherman**, Woodbury, MN (US); **Frank A. Brigano**, Northford, CT (US); **Richard A. Kirchner**, Apple Valley, MN (US); **Paul A. Piloni**, Minnetonka, MN (US); **Jason J. Ness**, Victoria, MN (US)

(73) Assignee: **KX Technologies LLC**, West Haven, CT (US)

(\*\*) Term: **14 Years**

(21) Appl. No.: **29/514,951**

(22) Filed: **Jan. 19, 2015**

(51) **LOC (10) Cl.** ..... **20-01**

(52) **U.S. Cl.**  
USPC ..... **D23/209**

(58) **Field of Classification Search**

USPC ..... D23/207, 209; D7/400; 210/232, 282, 210/244, 238

CPC ..... C02F 1/003; B01D 35/30  
See application file for complete search history.

(56) **References Cited**

**U.S. PATENT DOCUMENTS**

2,558,987 A \* 7/1951 Shaw ..... A61M 5/165  
210/233

3,430,824 A 3/1969 Connors et al.

(Continued)

**FOREIGN PATENT DOCUMENTS**

EP 0861809 4/1995  
EP 1028090 1/2000

(Continued)

*Primary Examiner* — Robin V Webster

(74) *Attorney, Agent, or Firm* — Robert Curcio; DeLio, Peterson & Curcio, LLC

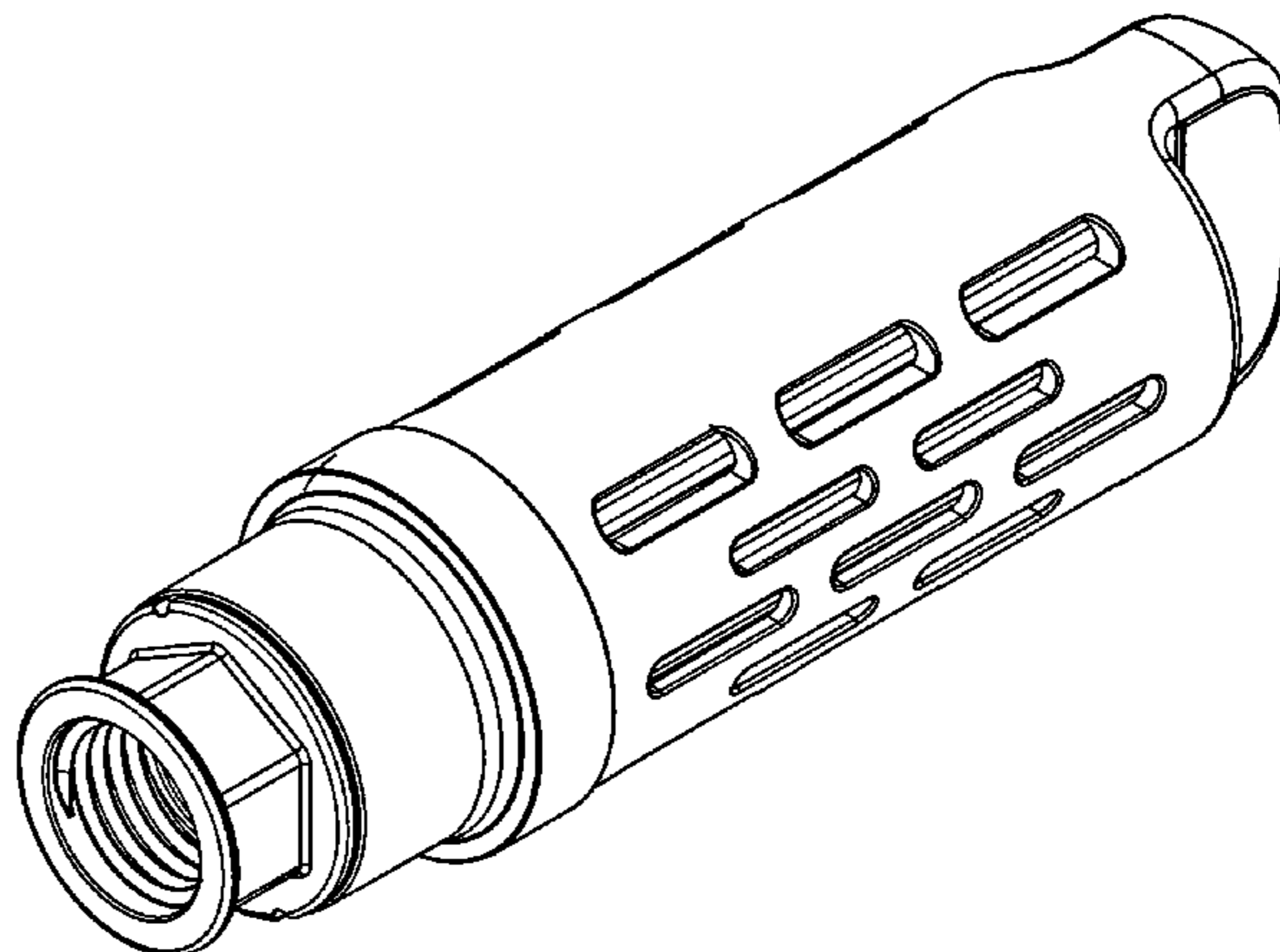
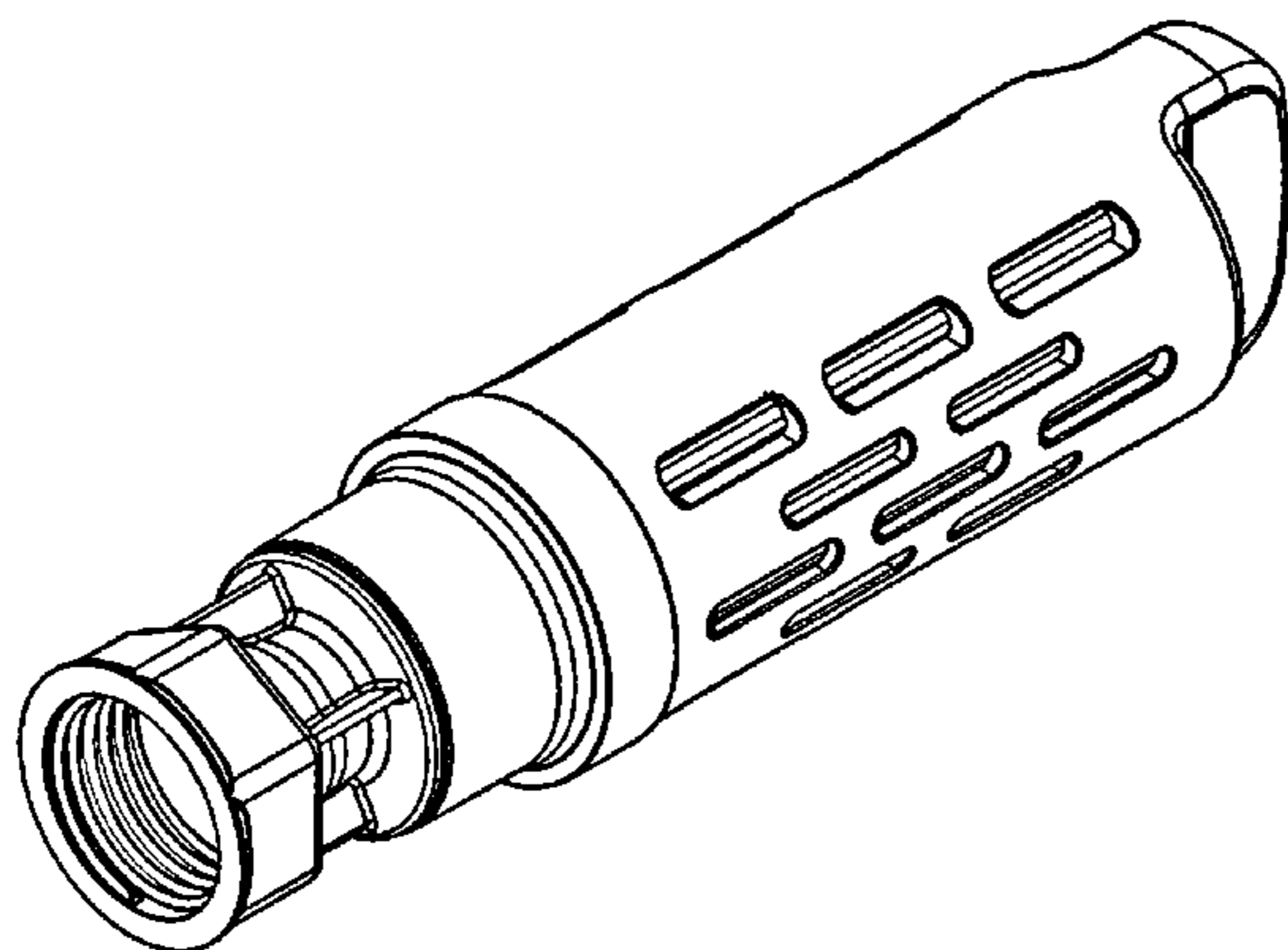
(57) **CLAIM**

The ornamental design for a filter cartridge with adapter for jug container, as shown and described.

**DESCRIPTION**

FIG. 1 is the front perspective view of the jug filter cartridge with long adapter according to the present invention; FIG. 2 is the back perspective view of the jug filter cartridge with long adapter of FIG. 1 according to the present invention; FIG. 3 is the left side view of the jug filter cartridge with long adapter of FIG. 1 according to the present invention; FIG. 4 is the right side view of the jug filter cartridge with long adapter of FIG. 1 according to the present invention; FIG. 5 is the top view of the jug filter cartridge with long adapter of FIG. 1 according to the present invention; FIG. 6 is the bottom view of the jug filter cartridge with long adapter of FIG. 1 according to the present invention; FIG. 7 is the front view of the jug filter cartridge with long adapter of FIG. 1 according to the present invention; FIG. 8 is the back view of the jug filter cartridge with long adapter of FIG. 1 according to the present invention; FIG. 9 is the front perspective view of the jug filter cartridge with short adapter according to the present invention; FIG. 10 is the back perspective view of the jug filter cartridge with short adapter of FIG. 9 according to the present invention; FIG. 11 is the left side view of the jug filter cartridge with short adapter of FIG. 9 according to the present invention; FIG. 12 is the right side view of the jug filter cartridge with short adapter of FIG. 9 according to the present invention; FIG. 13 is the top view of the jug filter cartridge with short adapter of FIG. 9 according to the present invention; FIG. 14 is the bottom view of the jug filter cartridge with short adapter of FIG. 9 according to the present invention; FIG. 15 is the front view of the jug filter cartridge with short adapter of FIG. 9 according to the present invention; and, FIG. 16 is the back view of the jug filter cartridge with short adapter of FIG. 9 according to the present invention.

**1 Claim, 6 Drawing Sheets**



(56)

**References Cited**

U.S. PATENT DOCUMENTS

4,181,243 A 1/1980 Frahm  
 4,491,520 A 1/1985 Jaye  
 4,714,550 A \* 12/1987 Malson ..... C02F 1/42  
 210/244  
 4,787,973 A \* 11/1988 Ando ..... A47J 31/605  
 210/282  
 4,995,975 A 2/1991 Jacquot et al.  
 D559,349 S \* 1/2008 Brown ..... D23/209  
 D594,088 S \* 6/2009 Pritchard ..... D23/207  
 7,762,429 B2 7/2010 Macler et al.  
 D643,508 S \* 8/2011 Wilkinson ..... D23/209  
 8,230,692 B2 7/2012 Moon et al.  
 8,377,292 B2 2/2013 Patera et al.  
 8,388,841 B2 3/2013 Moretto

D686,296 S \* 7/2013 Melzer ..... D23/209  
 D691,418 S \* 10/2013 Minton ..... D7/399  
 D729,343 S \* 5/2015 Melzer ..... D23/209  
 D747,140 S \* 1/2016 Roth ..... D23/209  
 2011/0284585 A1 11/2011 Stewart-Barnett  
 2013/0118972 A1 5/2013 Yui  
 2013/0213877 A1 8/2013 Lin et al.

FOREIGN PATENT DOCUMENTS

EP 1321428 12/2002  
 GB 2504501 2/2014  
 WO WO 94 04245 3/1993  
 WO WO 98 05401 2/1998  
 WO WO 98 32705 7/1998  
 WO WO 2012 130329 10/2012

\* cited by examiner

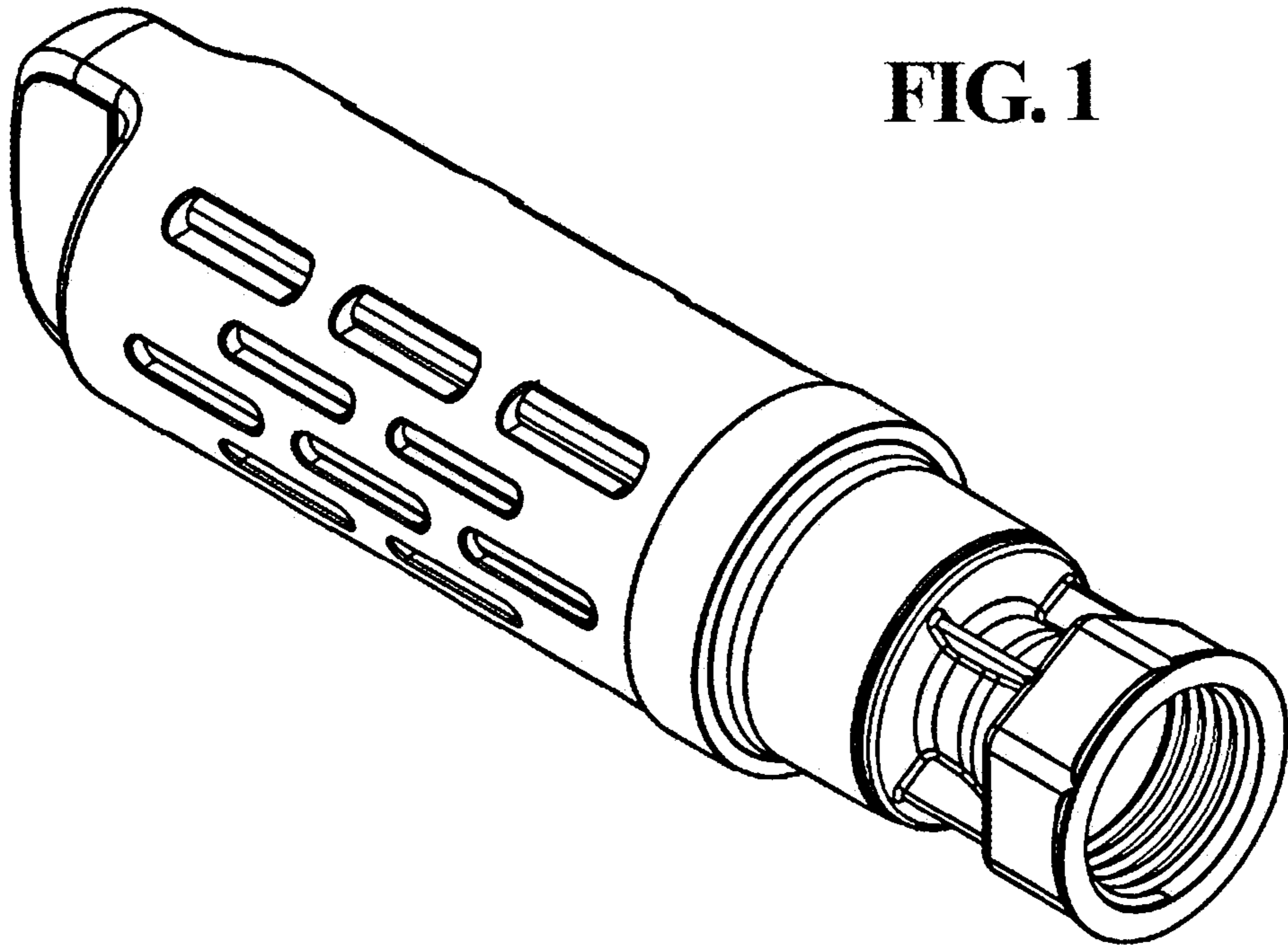


FIG. 1

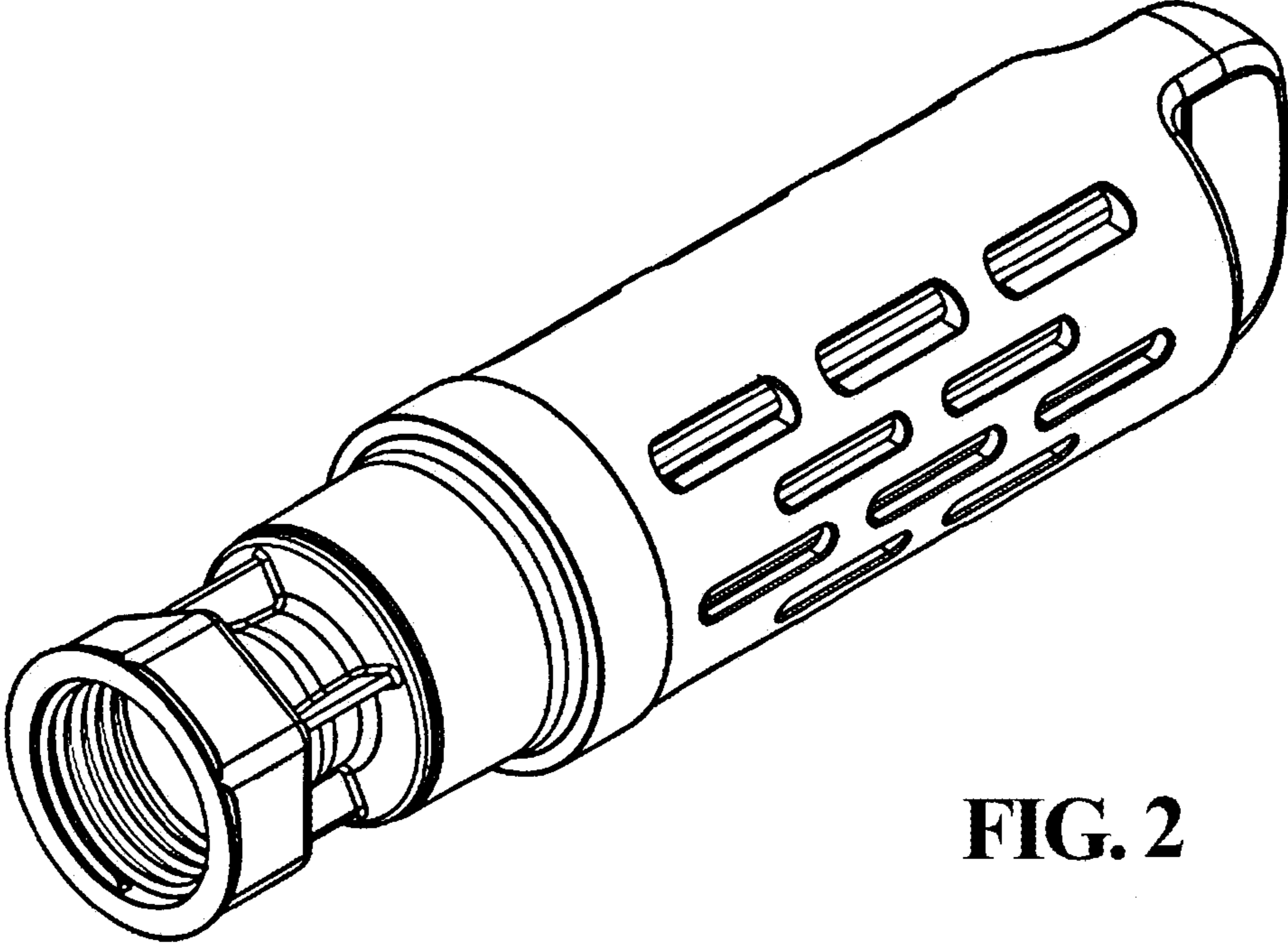


FIG. 2

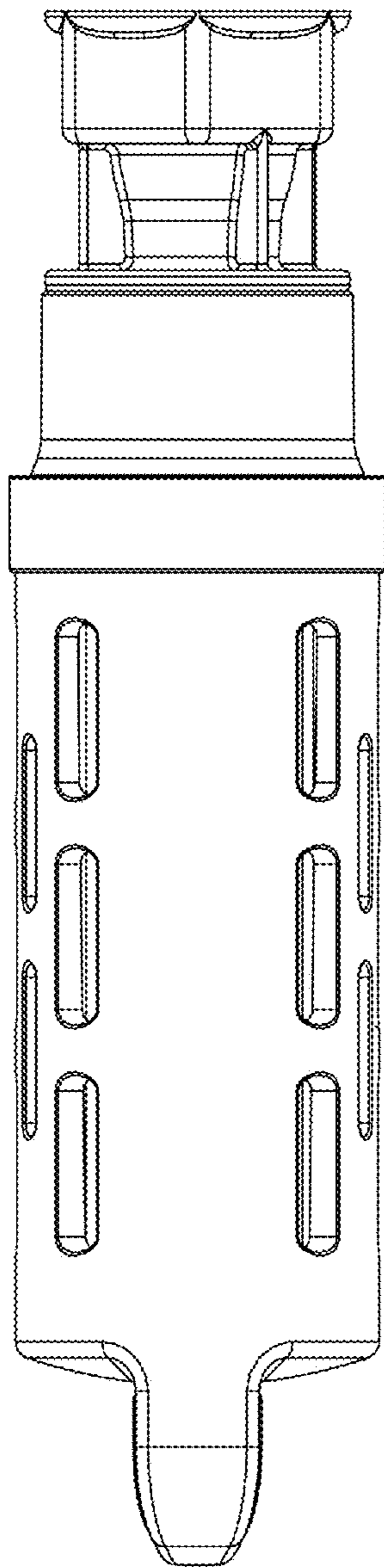


FIG. 3

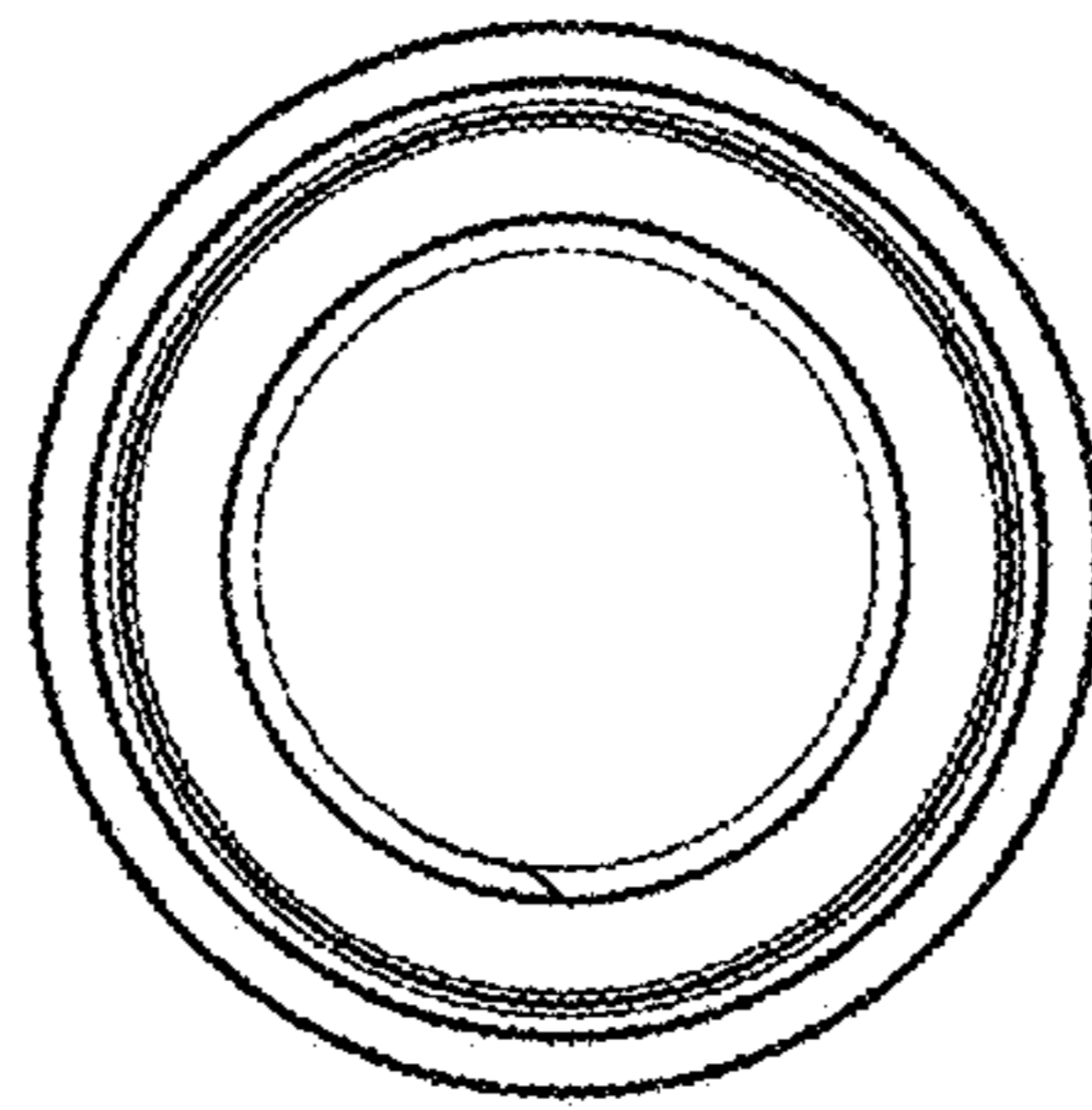


FIG. 5

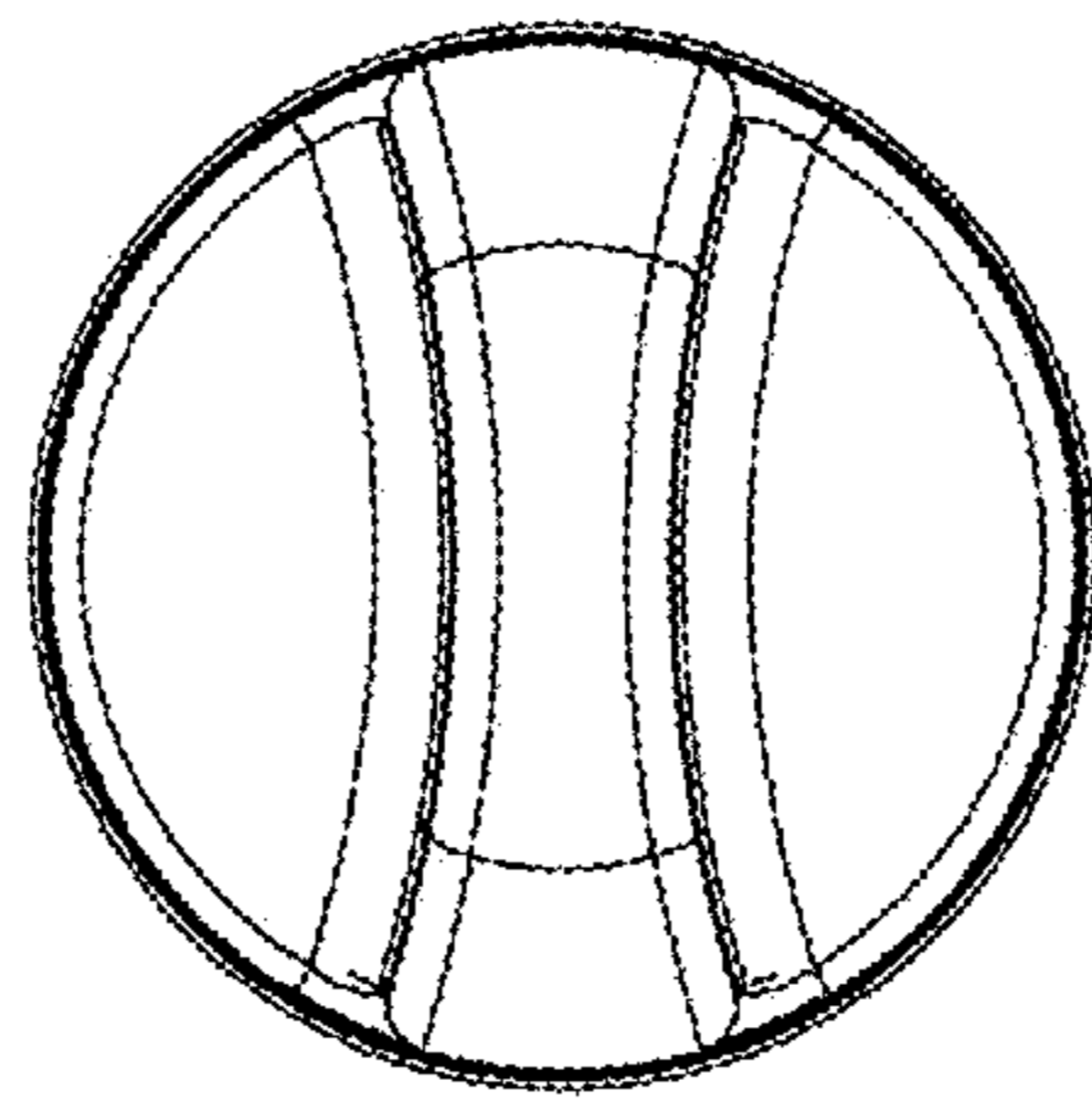


FIG. 6

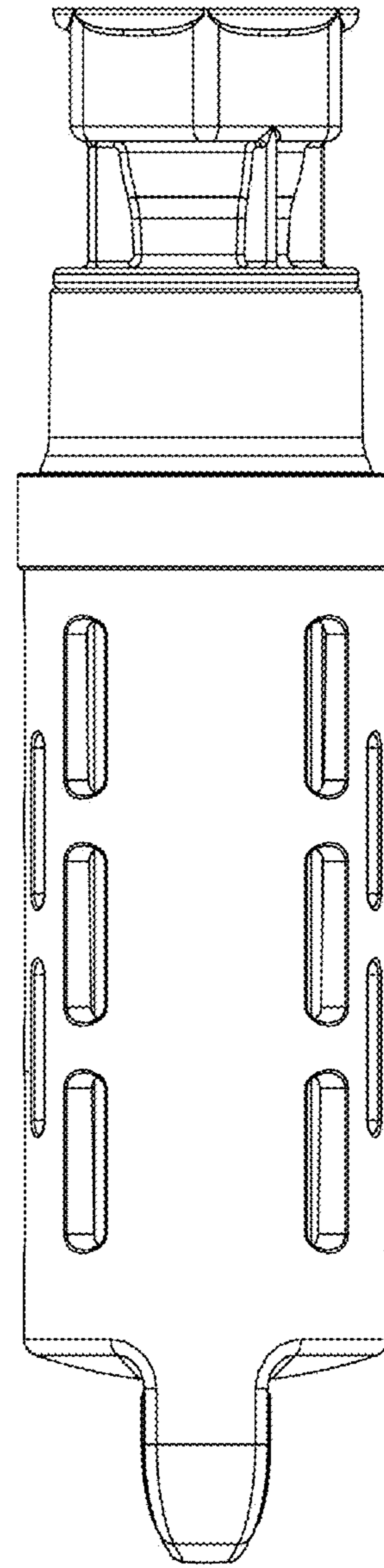


FIG. 4

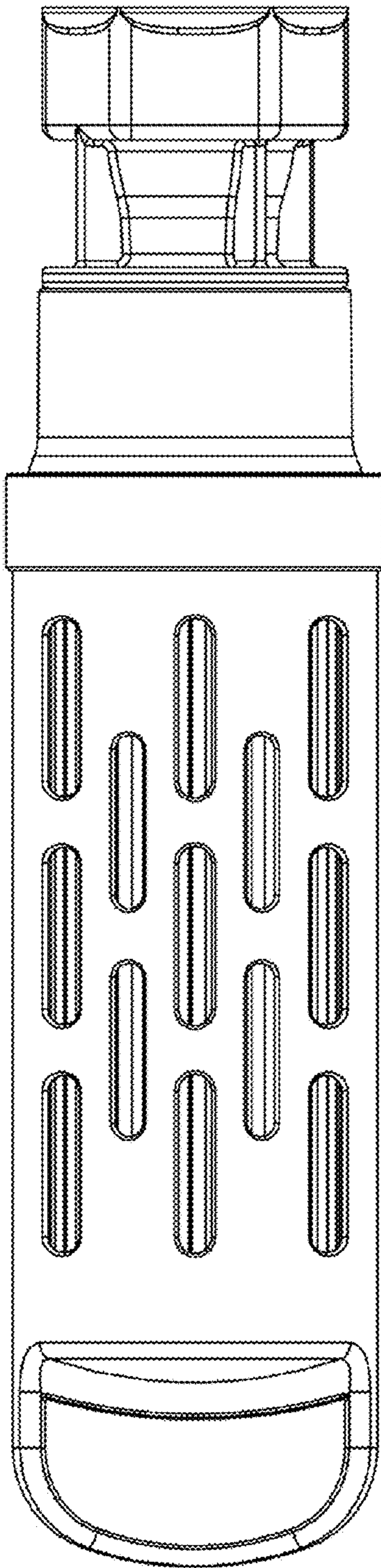


FIG. 7

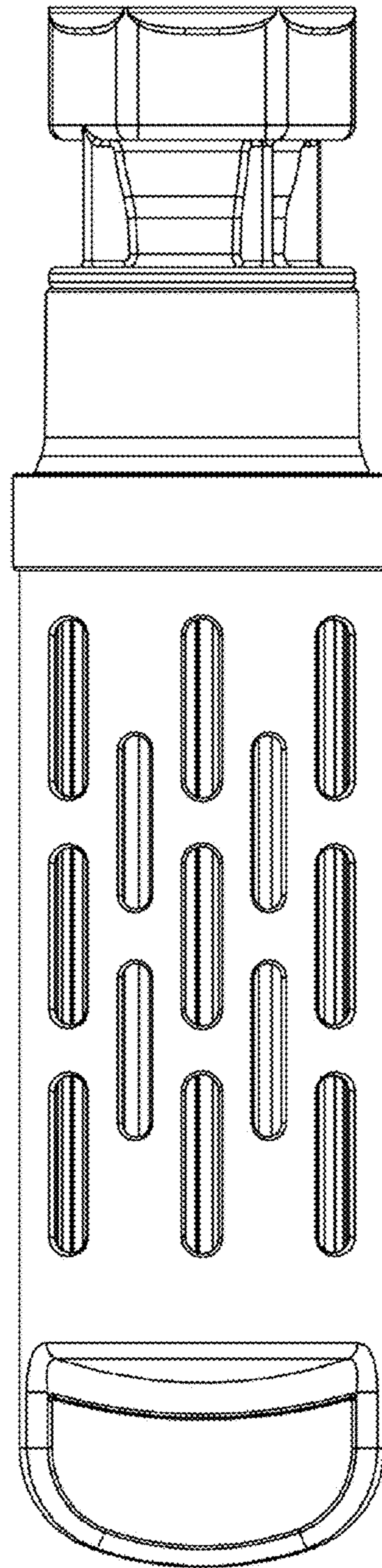
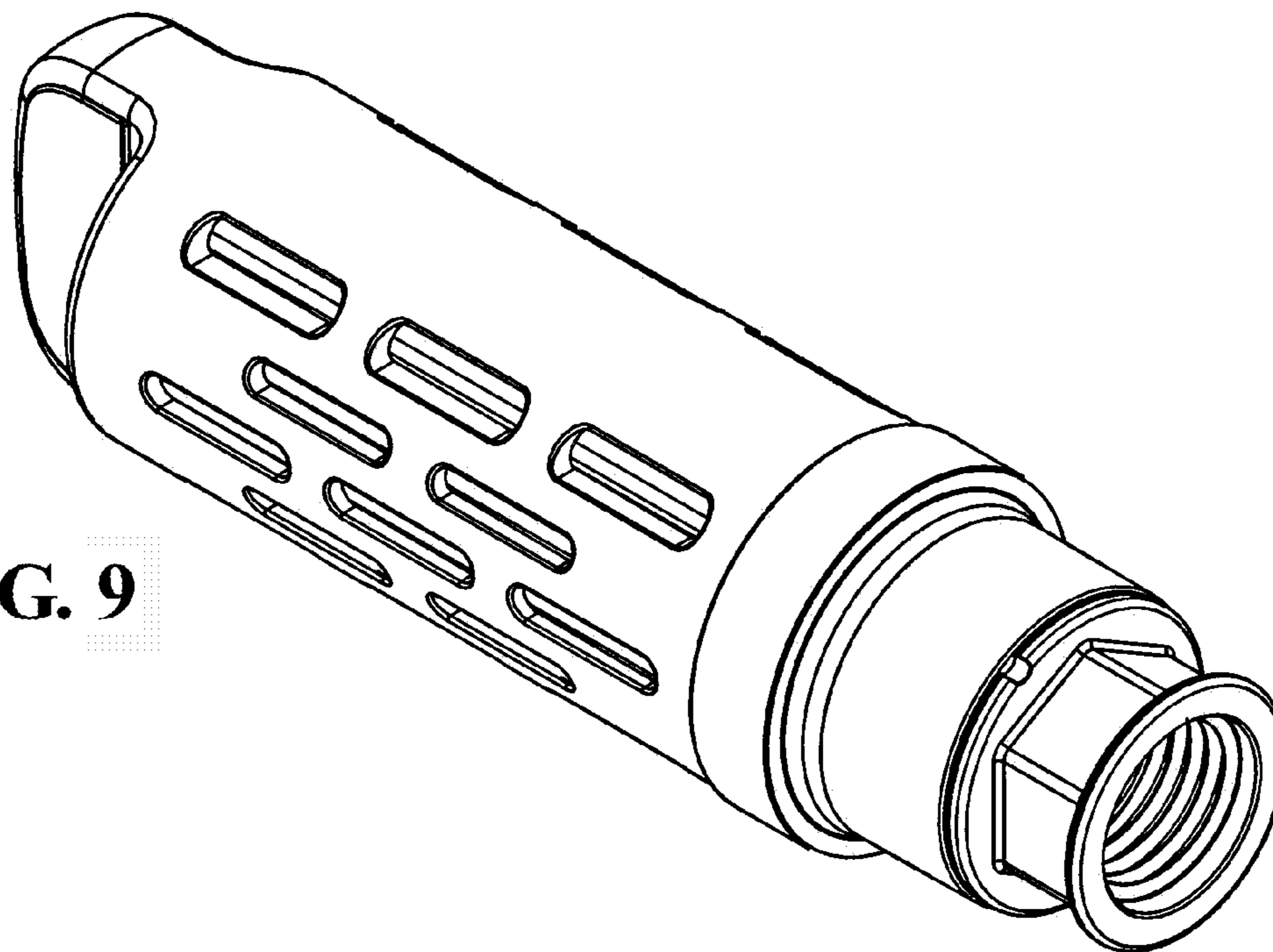
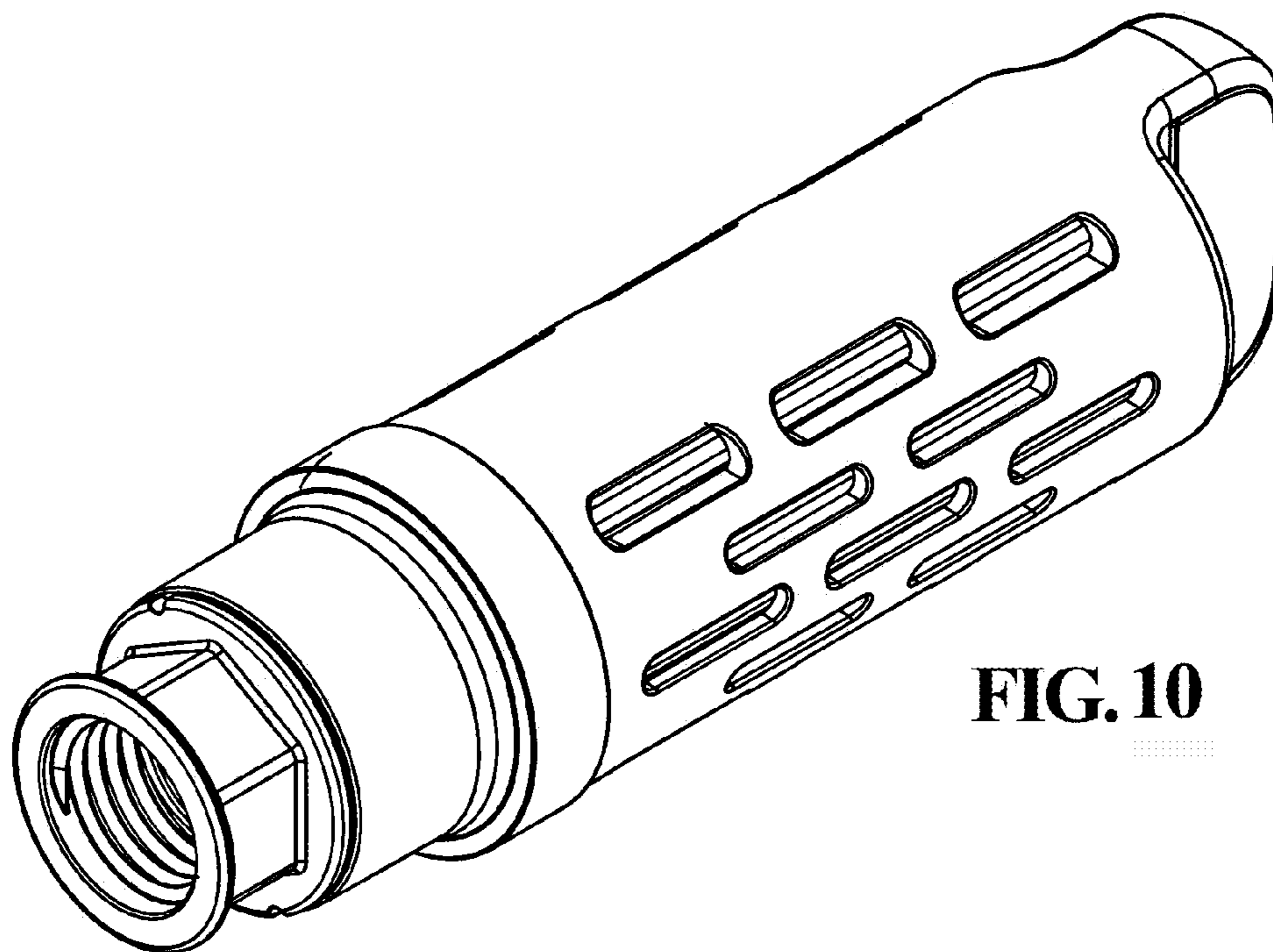


FIG. 8

**FIG. 9**



**FIG. 10**



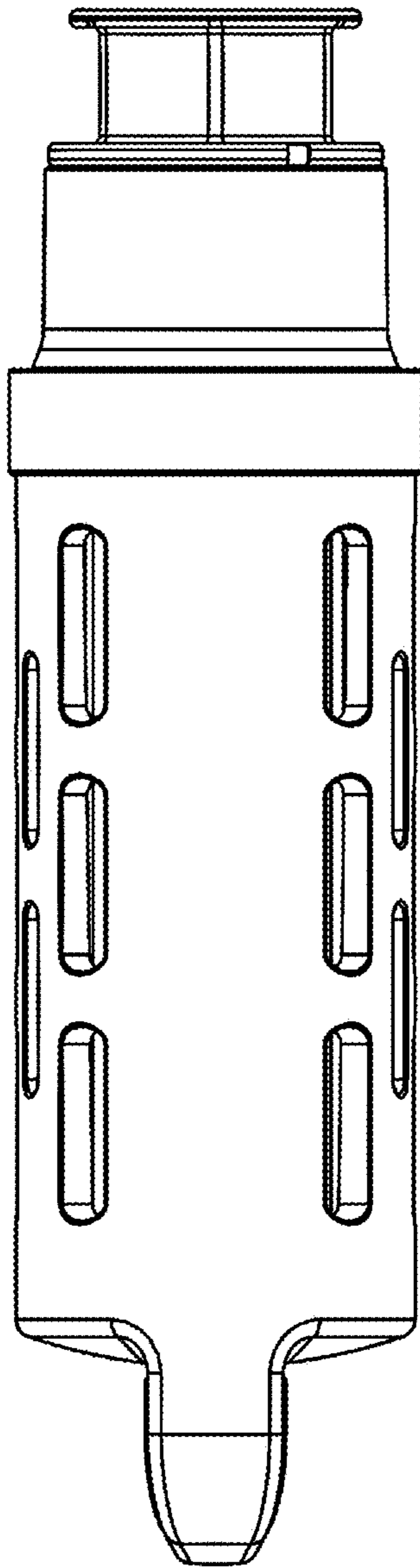


FIG. 11

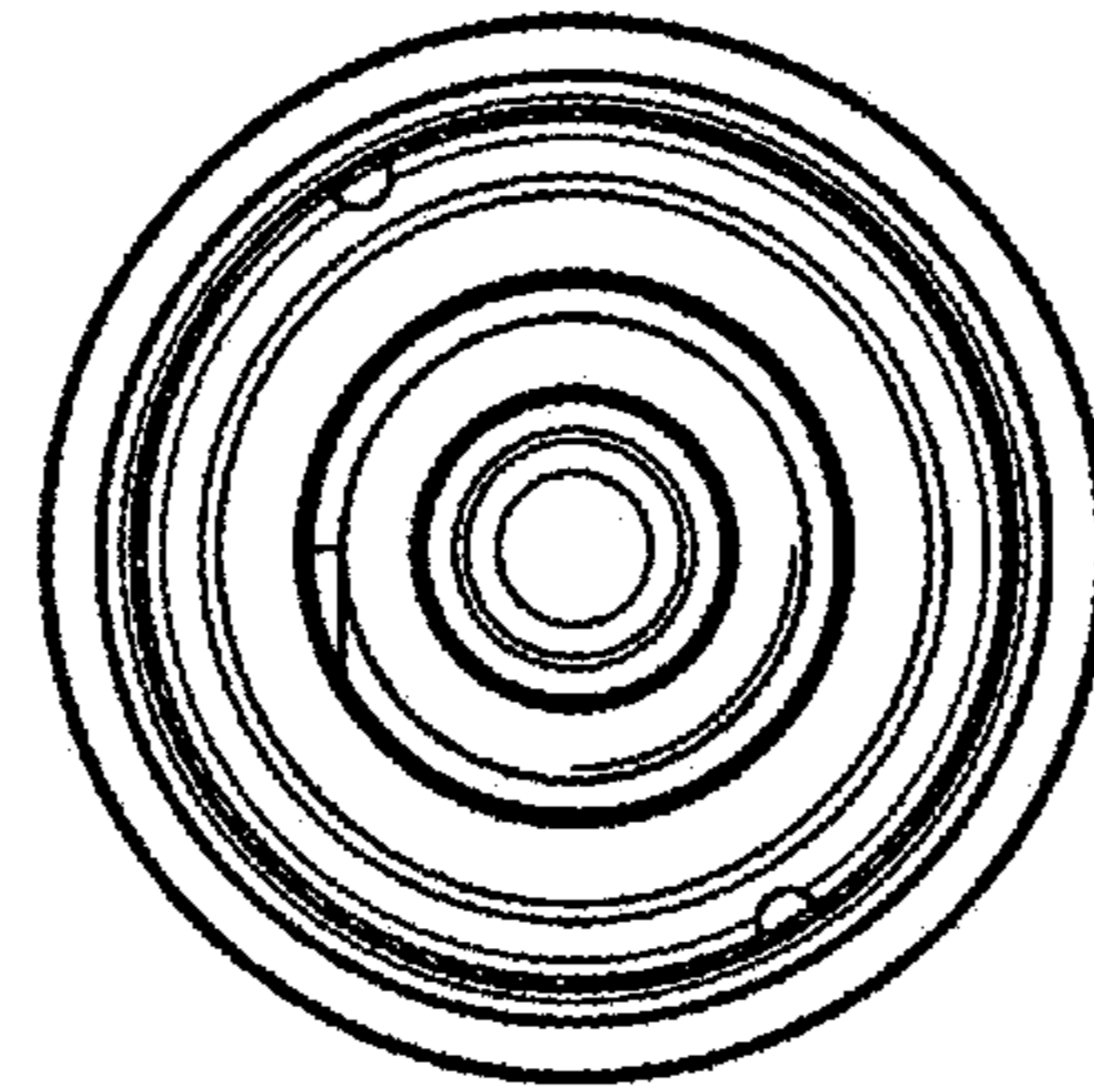


FIG. 13

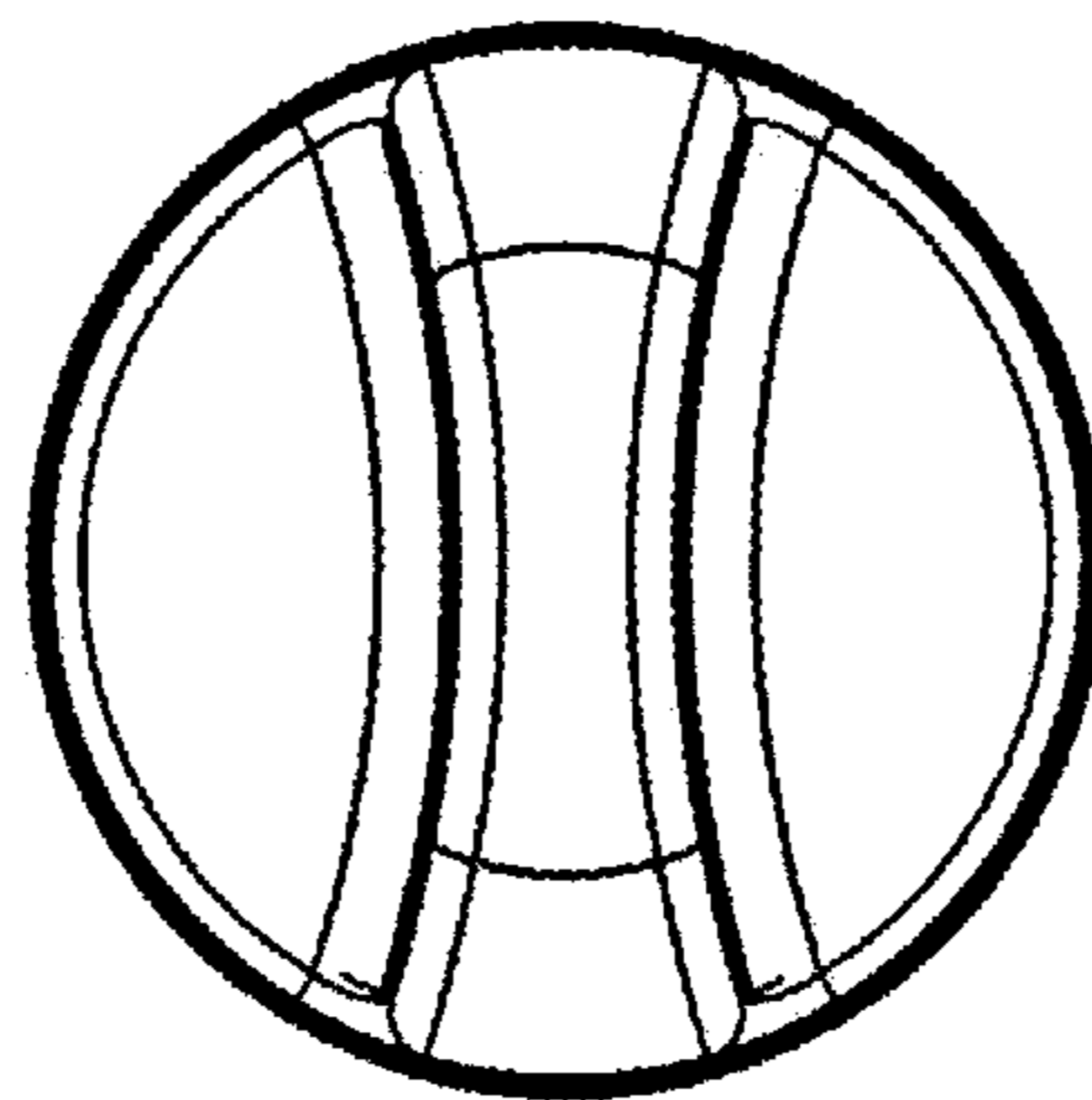


FIG. 14

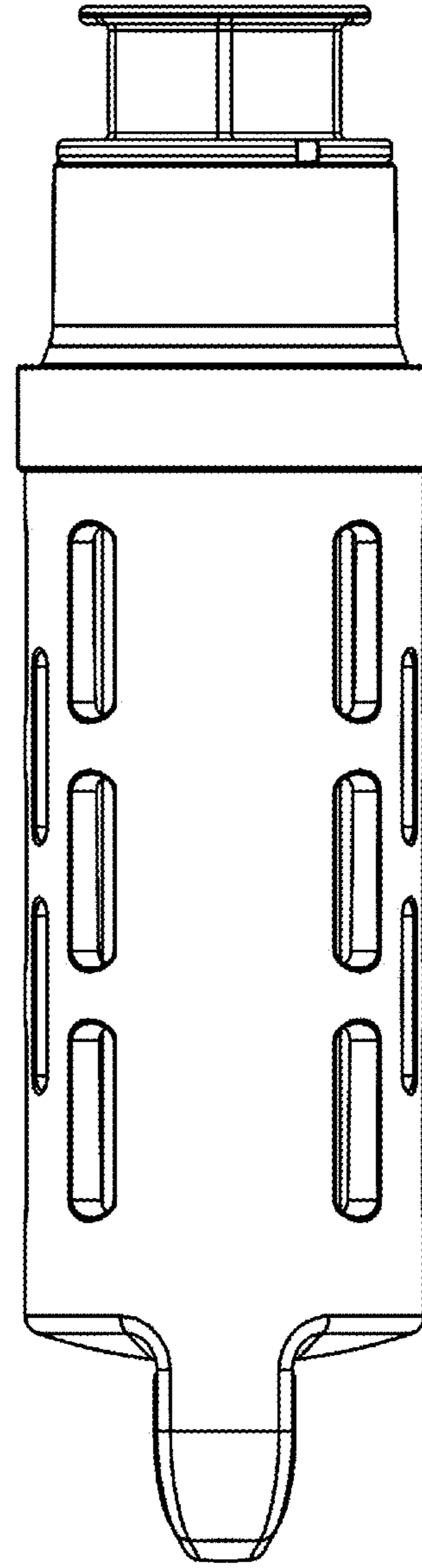


FIG. 12

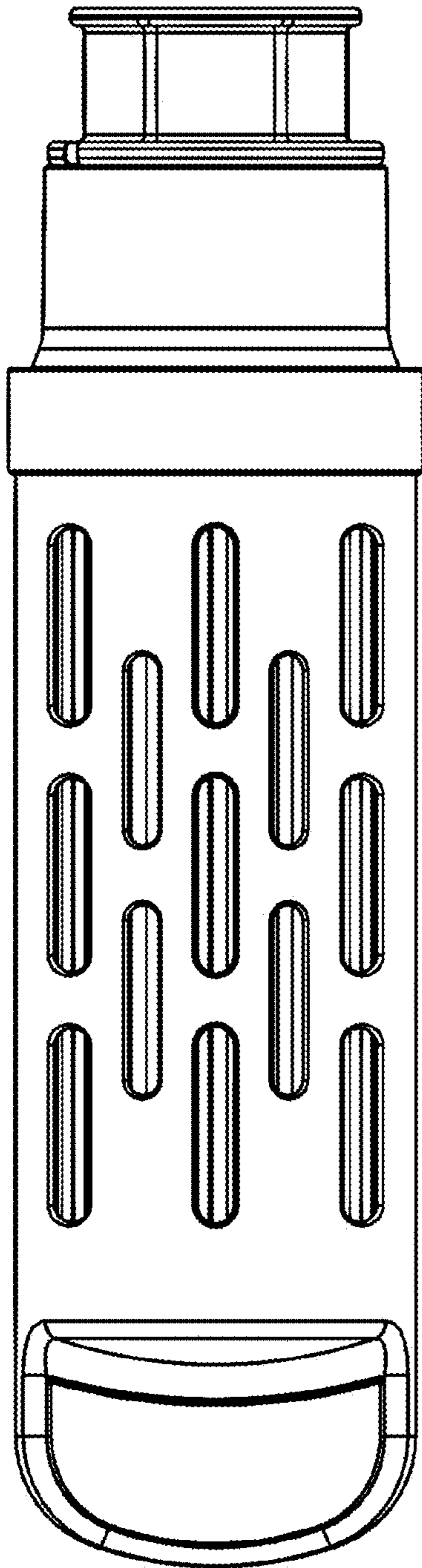


FIG. 15

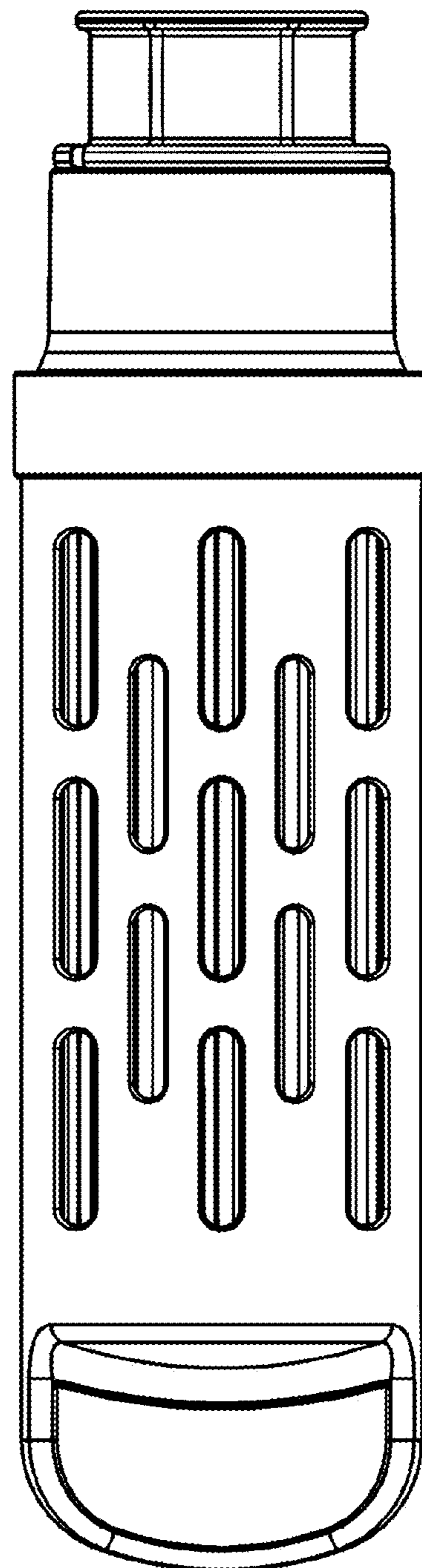


FIG. 16