



US00D758527S

(12) **United States Design Patent**
Quiblier et al.

(10) **Patent No.:** **US D758,527 S**
(45) **Date of Patent:** **** Jun. 7, 2016**

- (54) **WATER TREATMENT STATION**
- (71) Applicant: **Niskae Sarl**, Pulversheim (FR)
- (72) Inventors: **Julien Quiblier**, Oberhergheim (FR);
Sebastien Humbrecht, Pfaffenheim (FR)
- (73) Assignee: **Niskae Sarl**, Pulversheim (FR)
- (**) Term: **14 Years**
- (21) Appl. No.: **29/512,120**
- (22) Filed: **Dec. 17, 2014**

D424,660 S *	5/2000	Teran	D23/207
D428,468 S *	7/2000	Dea	D23/200
6,090,294 A *	7/2000	Teran	C02F 1/78 210/141
D480,447 S *	10/2003	Cook	D23/200
D480,448 S *	10/2003	Cook	D23/207
6,979,397 B2 *	12/2005	Evanovich	B01D 35/143 134/169 A
D520,595 S *	5/2006	Johnson	D23/207
D521,593 S *	5/2006	Mitsis	D23/207
8,906,229 B2 *	12/2014	Cirou	B01D 61/18 100/102
8,921,096 B2 *	12/2014	Weissenbach	B01L 9/54 177/140
8,992,773 B2 *	3/2015	Marheine	B01D 29/56 210/167.28

- (30) **Foreign Application Priority Data**
Jun. 19, 2014 (CA) 157320
- (51) **LOC (10) Cl.** **23-01**
- (52) **U.S. Cl.**
USPC **D23/207**
- (58) **Field of Classification Search**
USPC D23/207-209, 200; 210/241, 741
CPC E03F 7/10
See application file for complete search history.

* cited by examiner

Primary Examiner — Robin V Webster
(74) *Attorney, Agent, or Firm* — Jeffrey T. Placker; Holland & Knight LLP

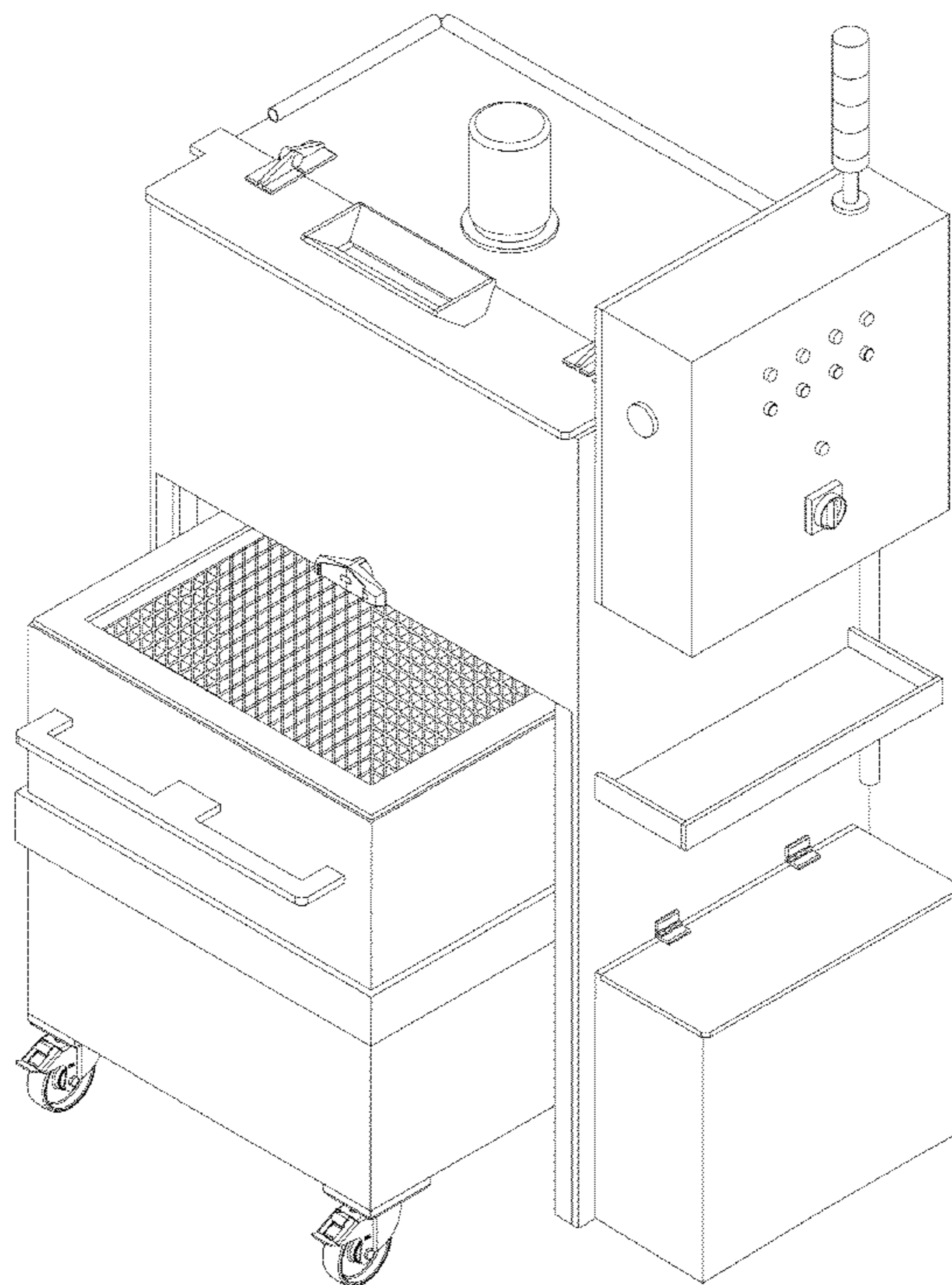
- (56) **References Cited**
U.S. PATENT DOCUMENTS
D316,739 S * 5/1991 Erickson D23/207
D410,726 S * 6/1999 Cook D23/200
5,997,733 A * 12/1999 Wilbur A61B 18/00
210/149
D420,720 S * 2/2000 Teran D23/200

(57) **CLAIM**
The ornamental design for a water treatment station, as shown and described.

DESCRIPTION

FIG. 1 is a front perspective view of a water treatment station; FIG. 2 is a front elevation view thereof; FIG. 3 is a rear elevation view thereof; FIG. 4 is a left side elevation view thereof; FIG. 5 is a right side elevation view thereof; FIG. 6 is a top plan view thereof; and, FIG. 7 is a bottom view thereof.

1 Claim, 7 Drawing Sheets



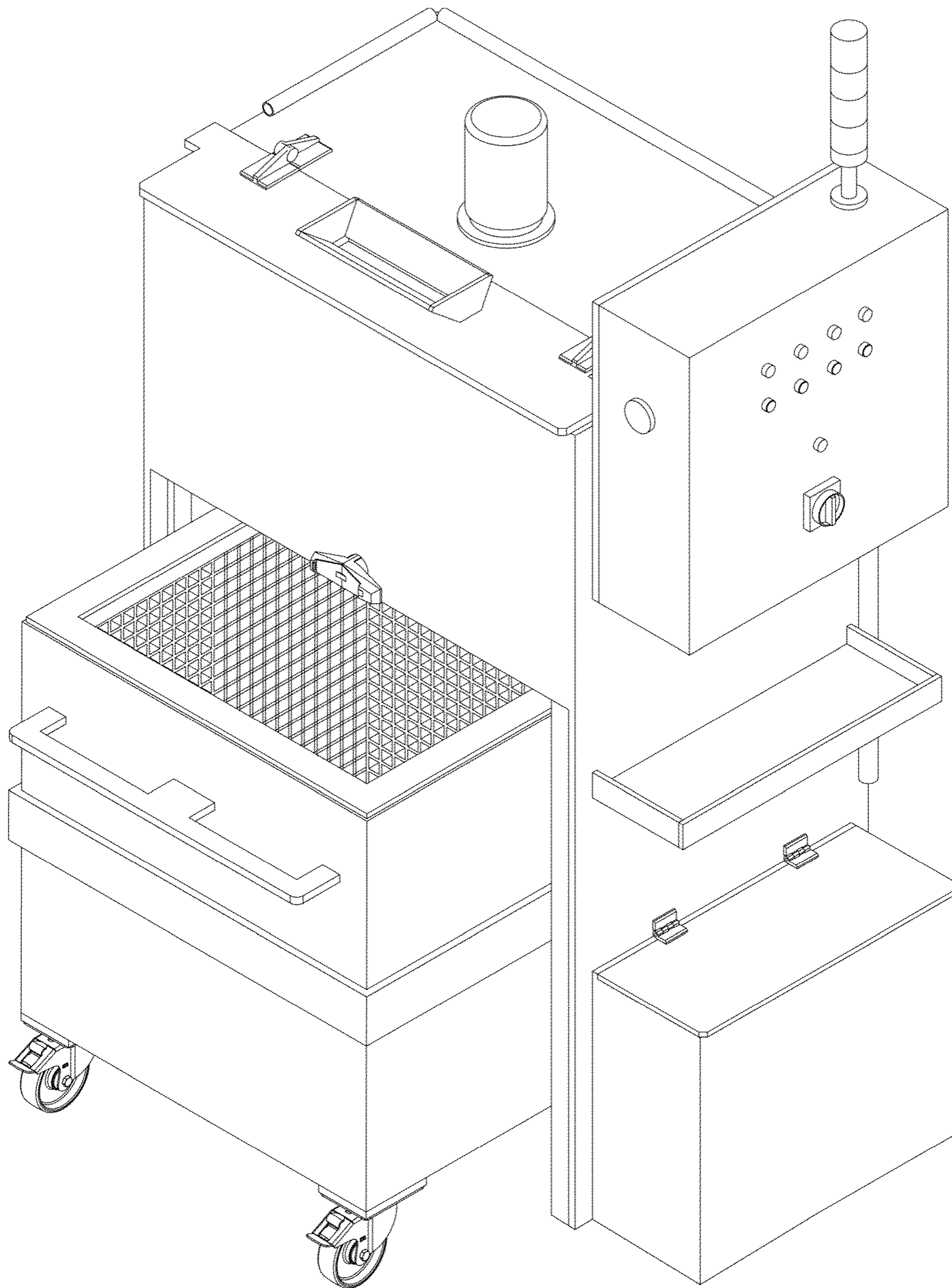


FIG. 1

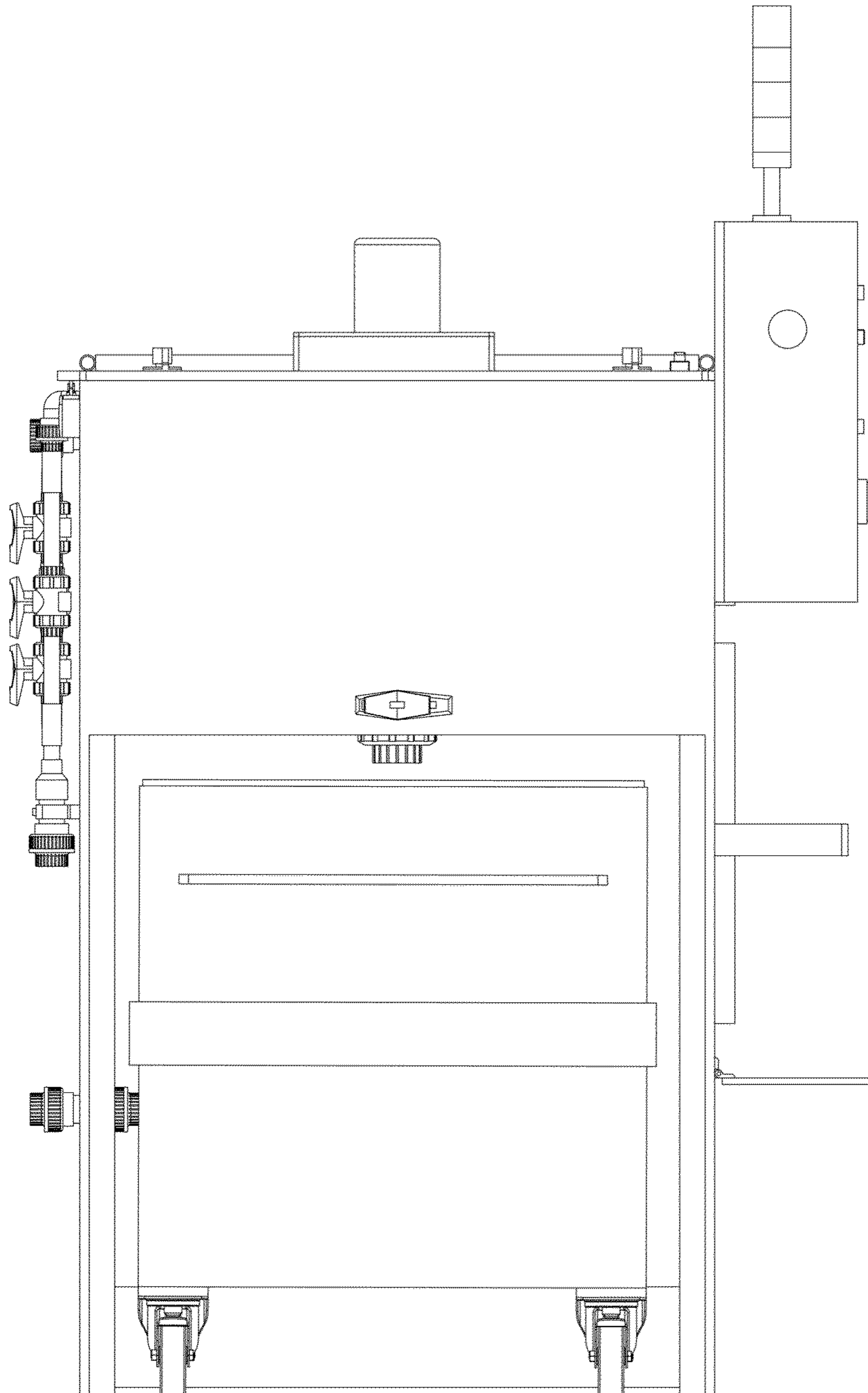


FIG. 2

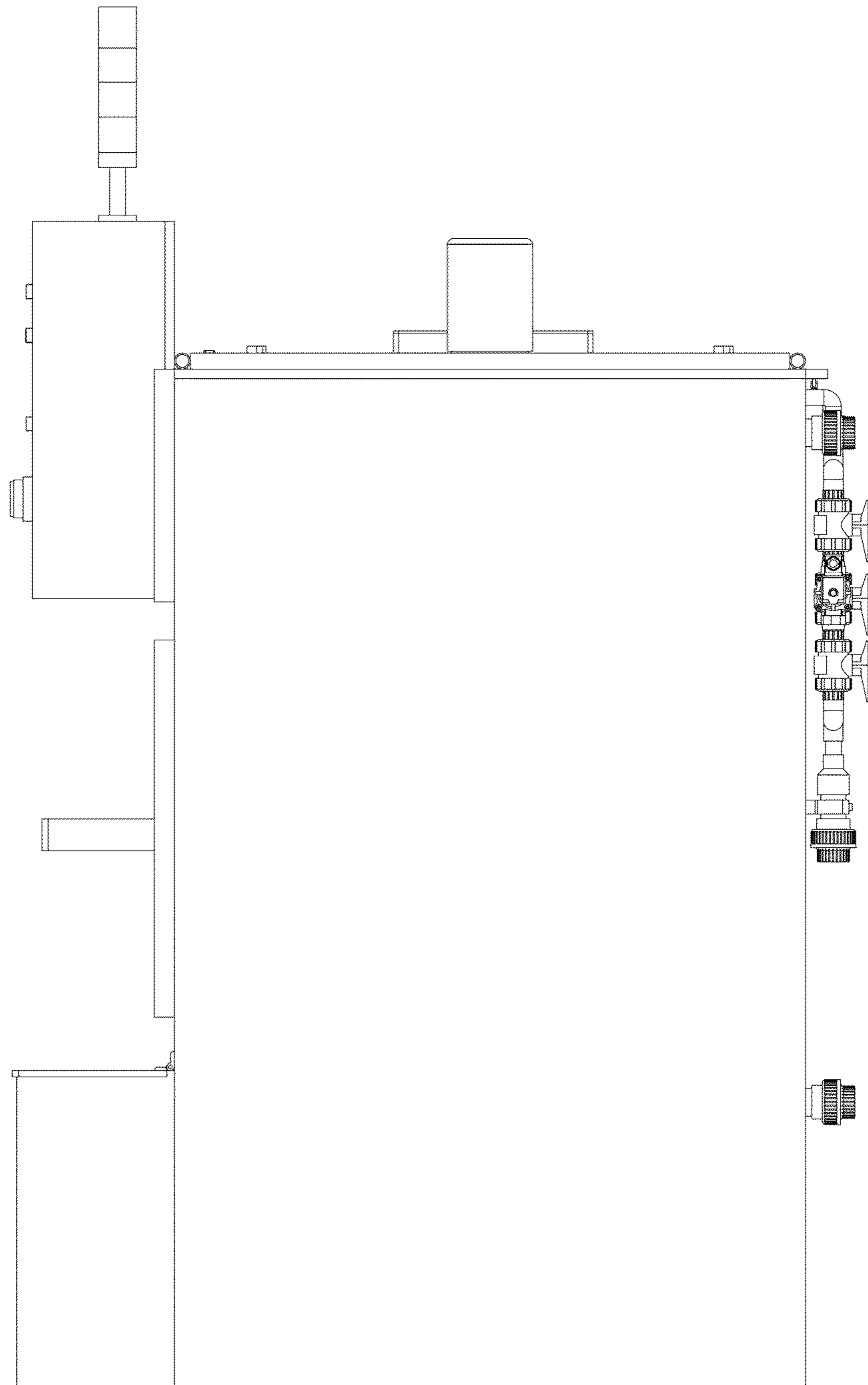


FIG. 3

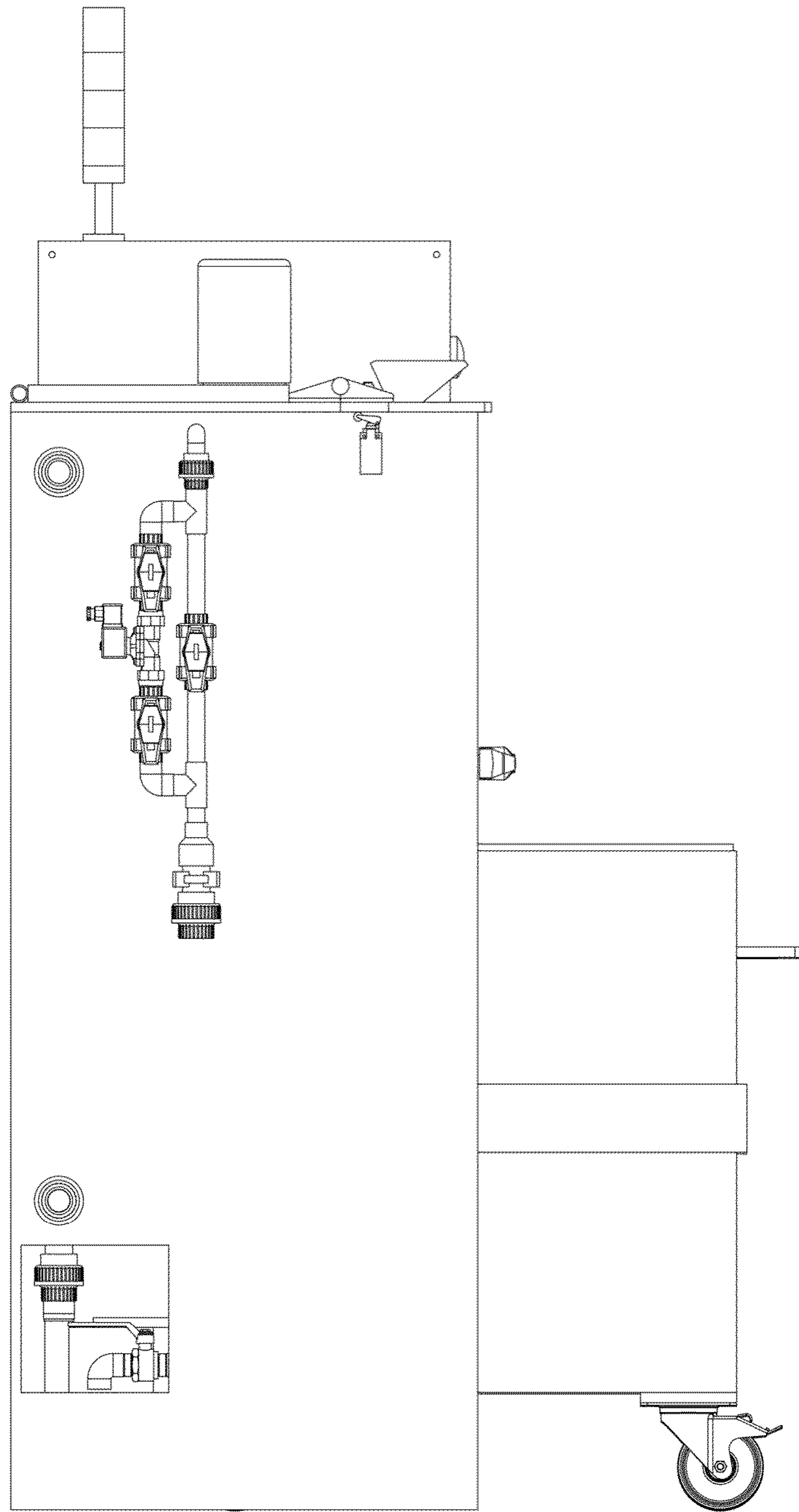


FIG. 4

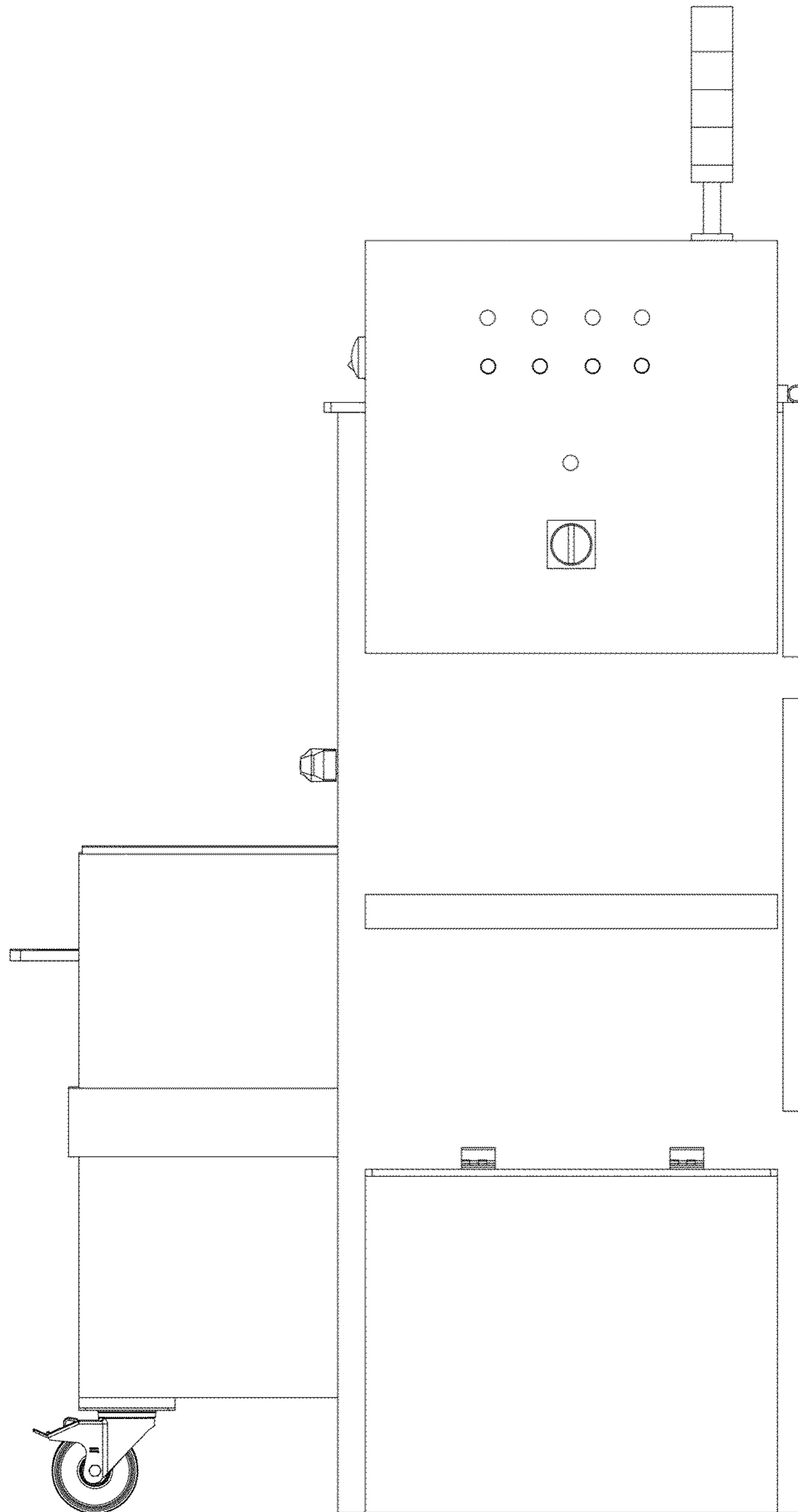


FIG. 5

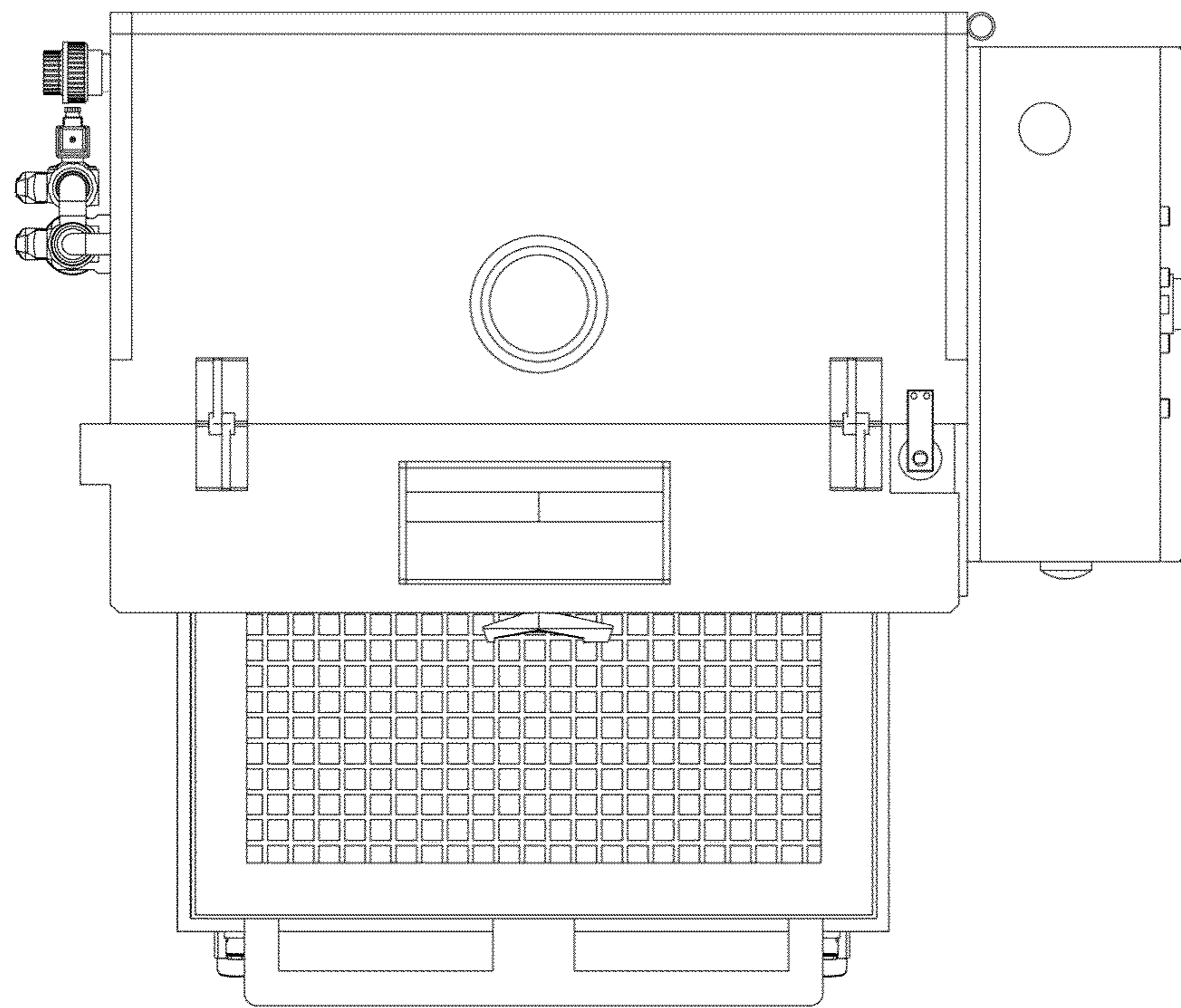


FIG. 6

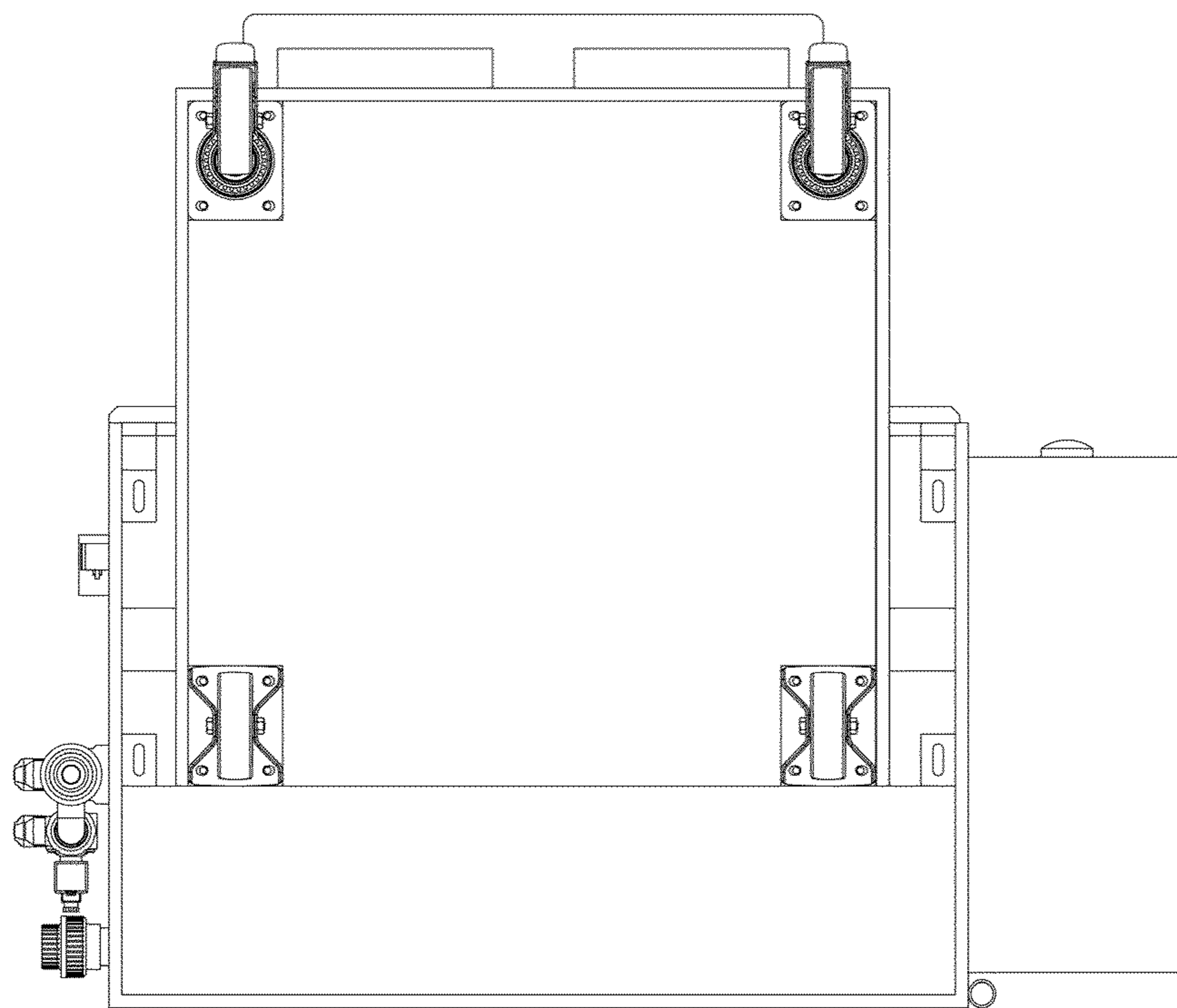


FIG. 7