



US00D758524S

(12) **United States Design Patent**  
**Woller**

(10) **Patent No.:** **US D758,524 S**  
(45) **Date of Patent:** **\*\* Jun. 7, 2016**

(54) **SHOOTING TARGET SUPPORT STAND**

(71) Applicant: **VIKING SOLUTIONS, LLC.**, Decatur, AL (US)

(72) Inventor: **Ronald Ray Woller**, Decatur, AL (US)

(73) Assignee: **VIKING SOLUTIONS, LLC**, Decatur, AL (US)

(\*\*) Term: **15 Years**

(21) Appl. No.: **29/505,153**

(22) Filed: **Jun. 22, 2015**

(51) **LOC (10) Cl.** ..... **22-04**

(52) **U.S. Cl.**  
USPC ..... **D22/113**

(58) **Field of Classification Search**  
USPC ..... D22/113, 199  
CPC ..... F41J 1/10; F41J 5/14; F41J 1/00;  
F41J 3/0004  
See application file for complete search history.

(56) **References Cited**

**U.S. PATENT DOCUMENTS**

4,029,318	A	6/1977	Boss	
4,248,326	A	2/1981	Hansen	
4,298,096	A	11/1981	Prior	
4,496,028	A	1/1985	Peterson	
4,565,263	A	1/1986	Southworth	
D329,502	S	9/1992	Grill	
D341,214	S	11/1993	LeJune	
D349,165	S	7/1994	Jasmund	
5,913,381	A	6/1999	D'Armond	
6,129,180	A	10/2000	Brady	
D647,994	S *	11/2011	Goodman	D22/113
D672,578	S	12/2012	Linder	
8,608,170	B2	12/2013	Ball	
D711,494	S *	8/2014	Bell	D22/113
8,807,498	B1	8/2014	McCoy	

D735,833	S *	8/2015	Winstead	D22/113
2008/0272548	A1	11/2008	Hensley	
2013/0001880	A1	1/2013	Dean	
2015/0330748	A1 *	11/2015	Anzalone	F14J 1/10 278/390
2015/0330749	A1 *	11/2015	Miller	F41J 5/14 340/539.1
2016/0018197	A1 *	1/2016	Dyck	F41J 7/04 273/390

\* cited by examiner

*Primary Examiner* — Michael A Pratt

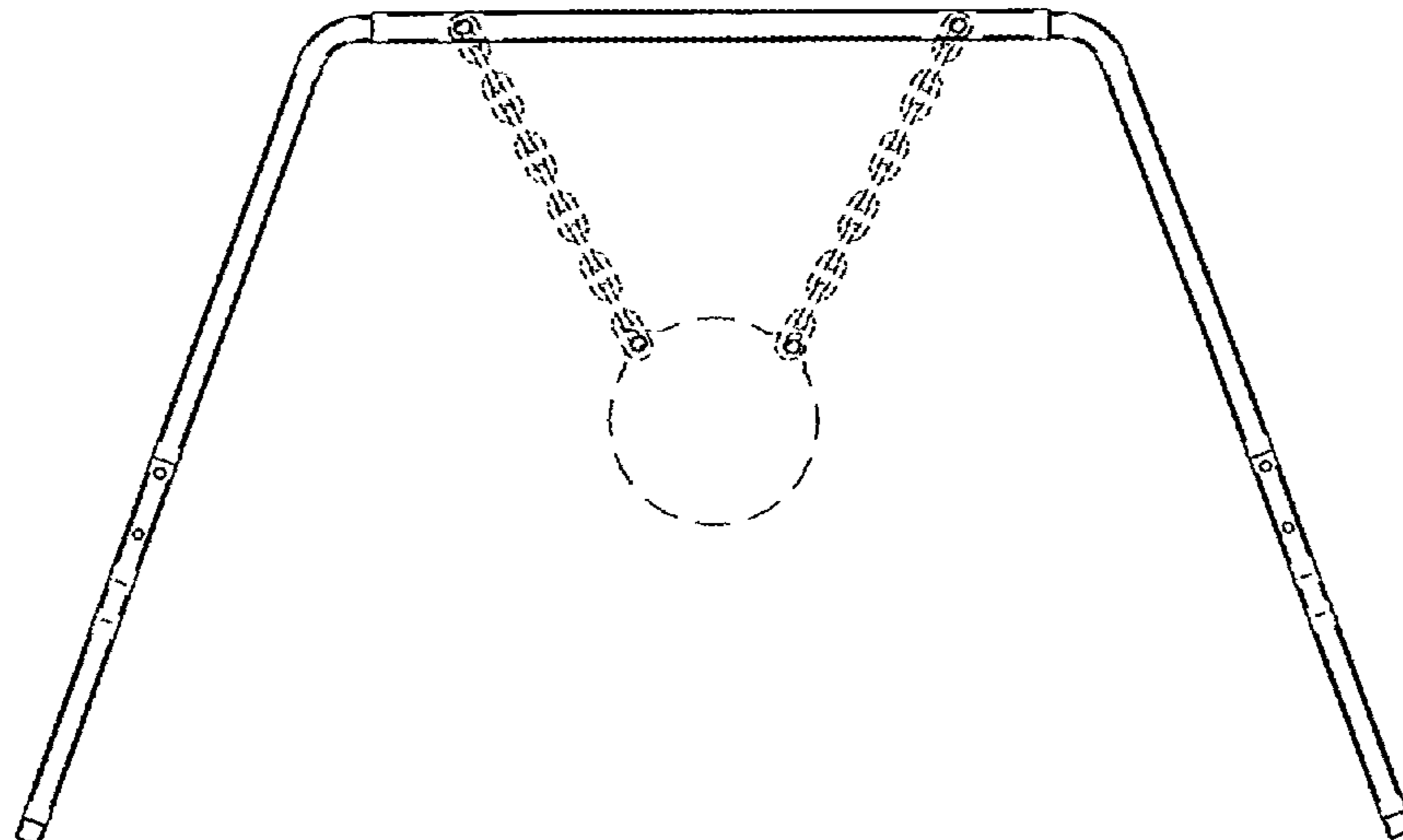
(57) **CLAIM**

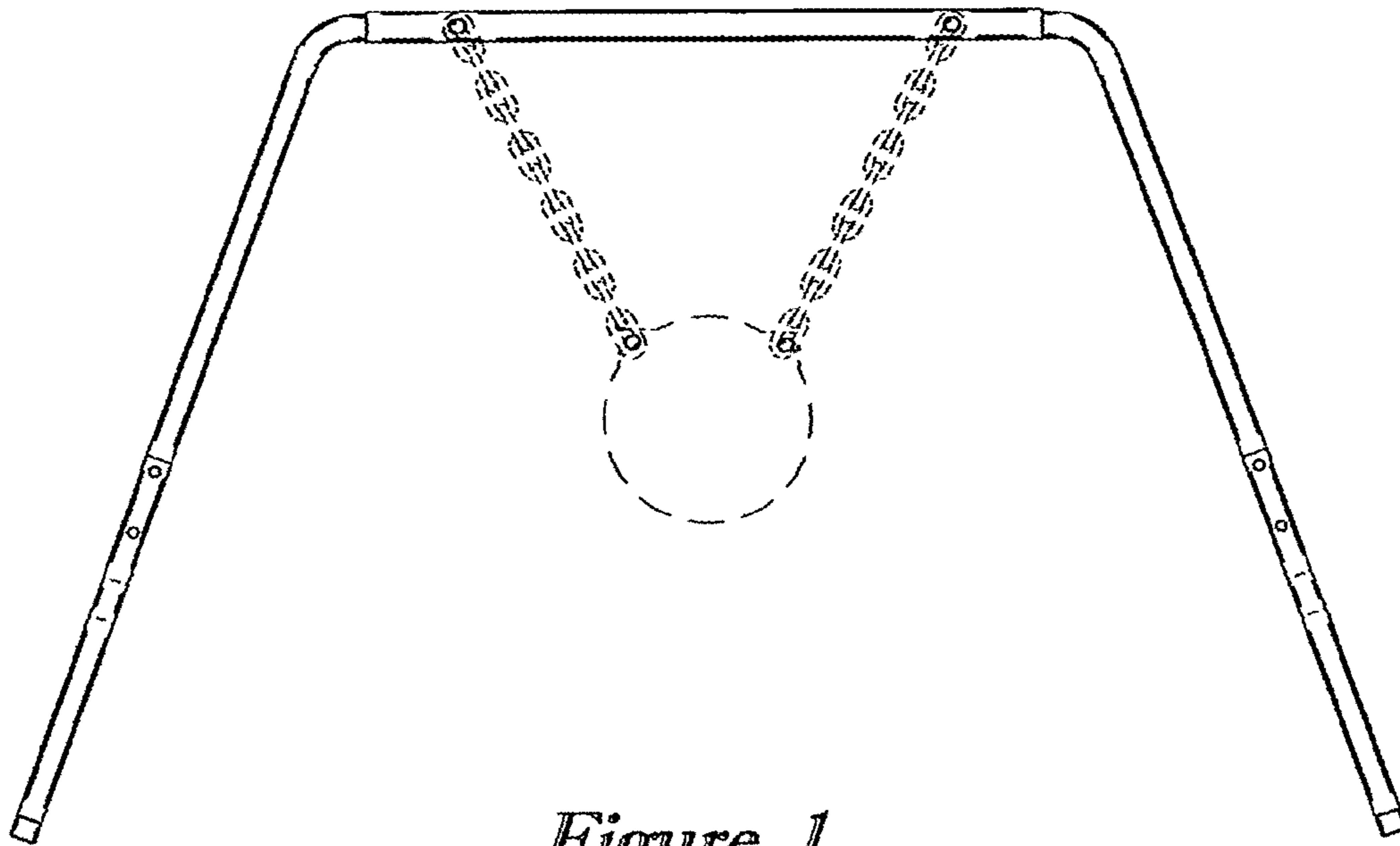
The ornamental design for a shooting target support stand, as shown and described.

**DESCRIPTION**

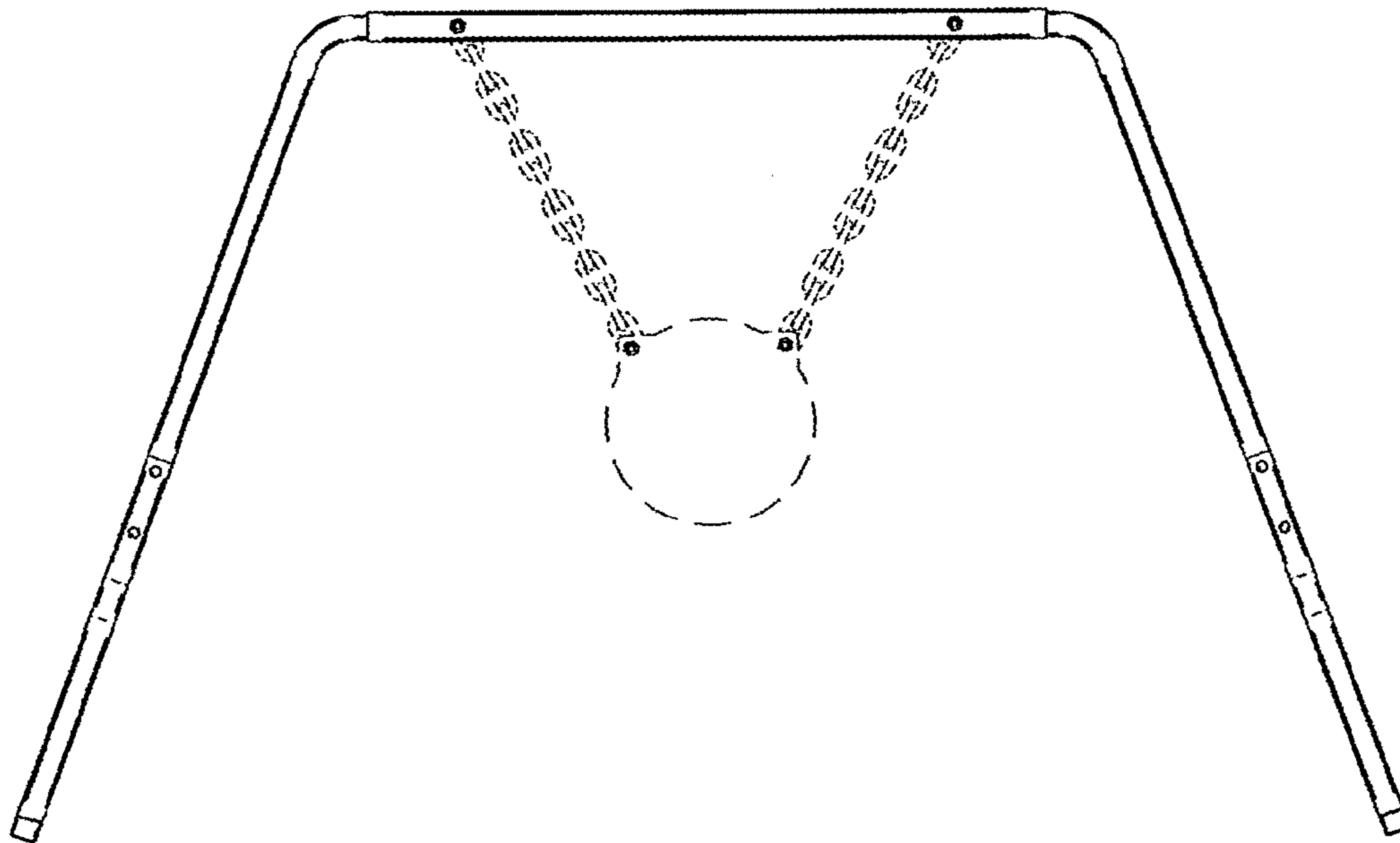
FIG. 1 Front elevation view of the shooting target support stand thereof.  
 FIG. 2 Back elevation view of the shooting target support stand thereof.  
 FIG. 3 Left elevation view of the shooting target support stand thereof.  
 FIG. 4 Right elevation view of the shooting target support stand thereof.  
 FIG. 5 Top plan view of the shooting target support stand thereof.  
 FIG. 6 Bottom plan view of the shooting target support stand thereof.  
 FIG. 7 Front left perspective view of the shooting target support stand thereof; and,  
 FIG. 8 Back left perspective view of the shooting target support stand thereof.  
 The target disk and support chains shown in broken lines for illustrative purposes only and forms no part of the claimed design.  
 A portable shooting target support stand for long range fire-arm practice, easily setup for use without tools.

**1 Claim, 5 Drawing Sheets**

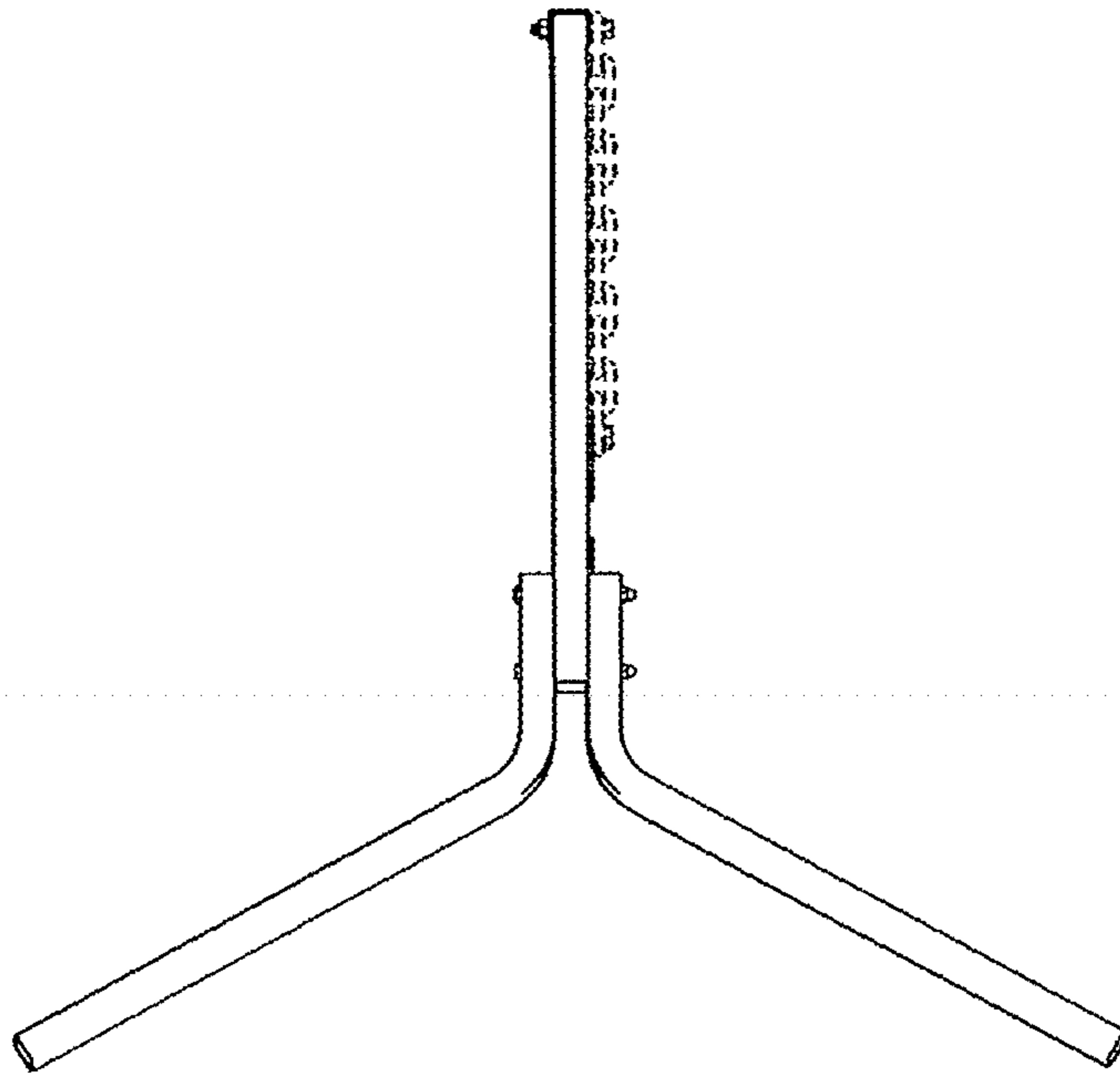




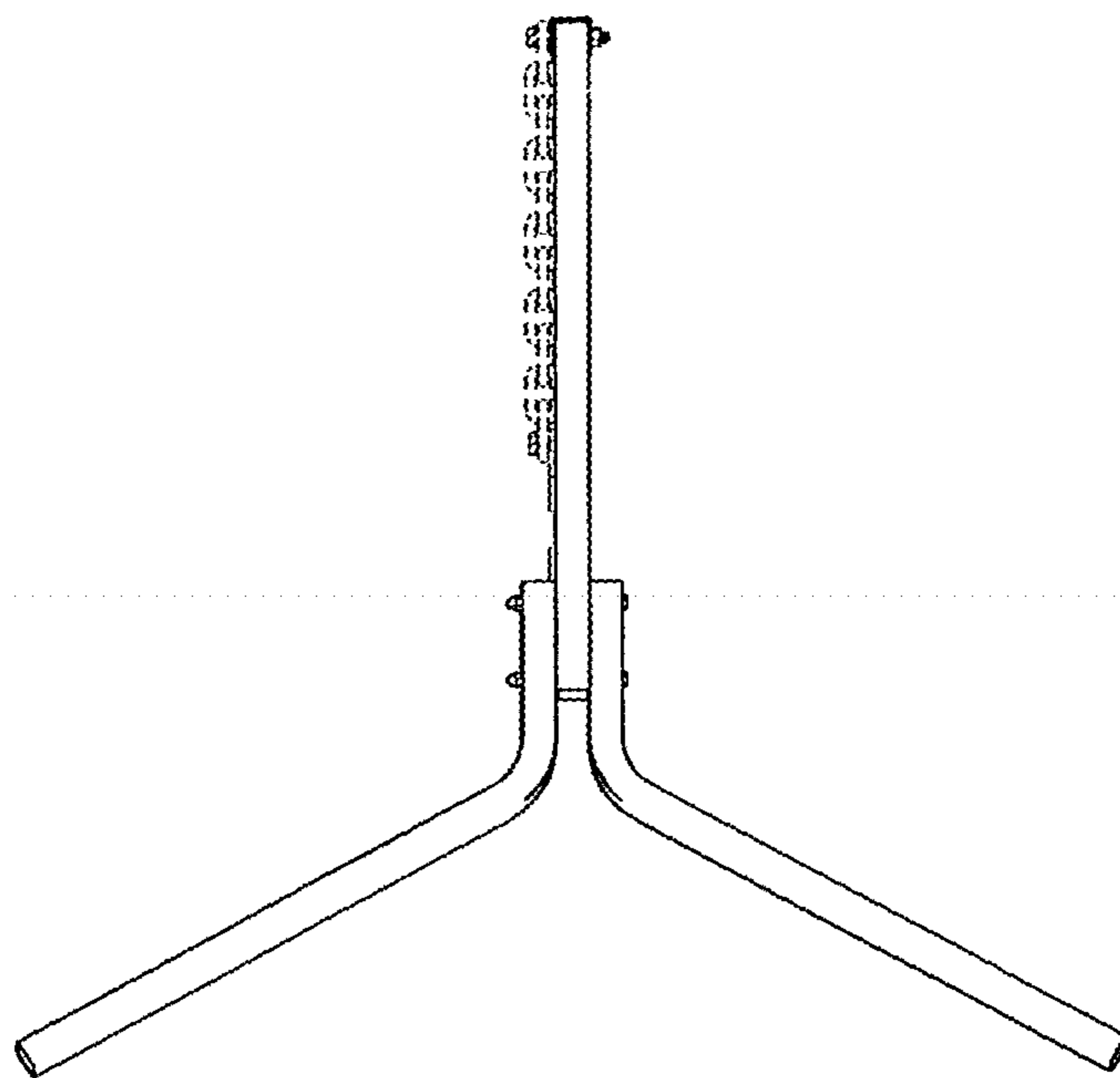
*Figure 1*



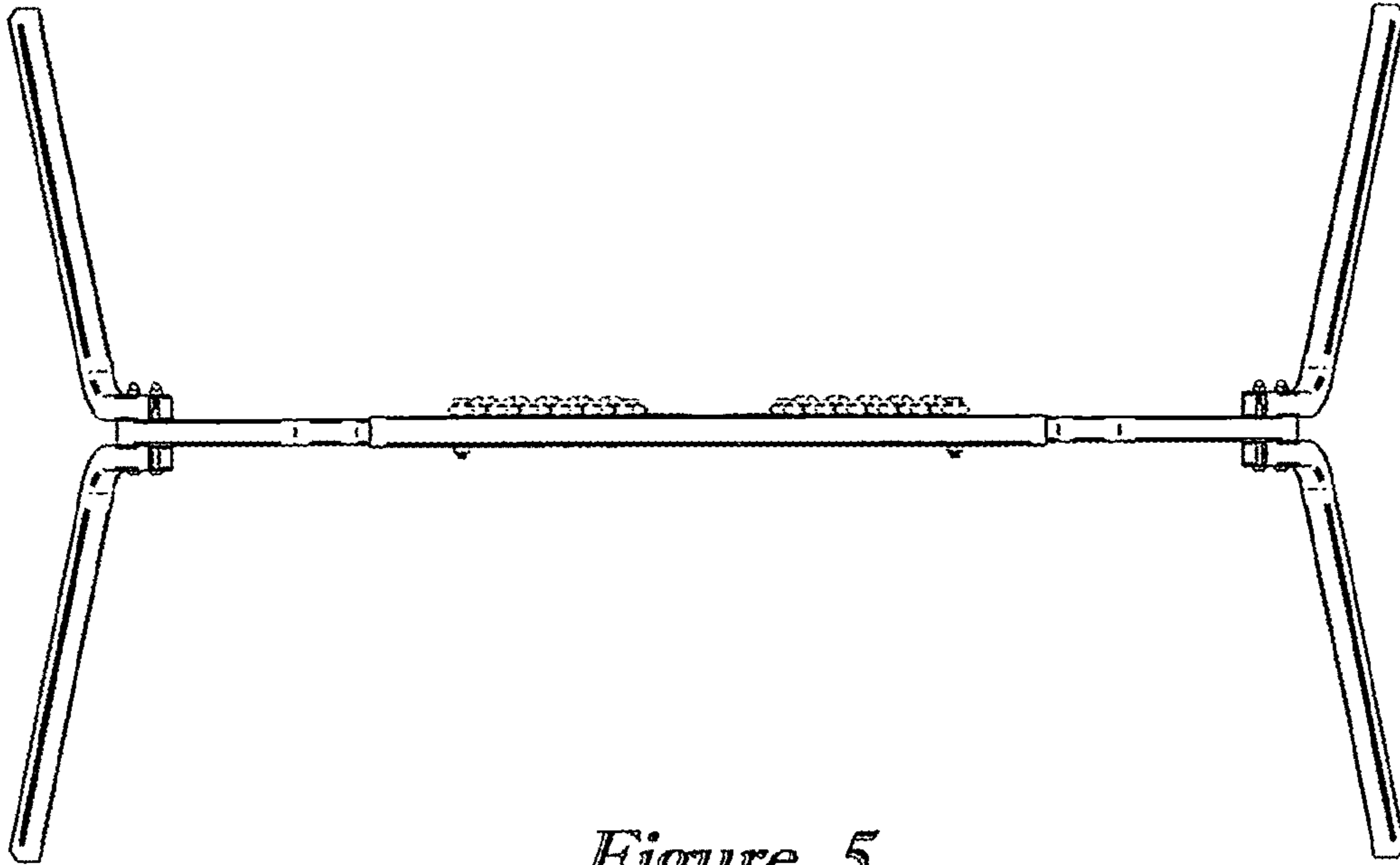
*Figure 2*



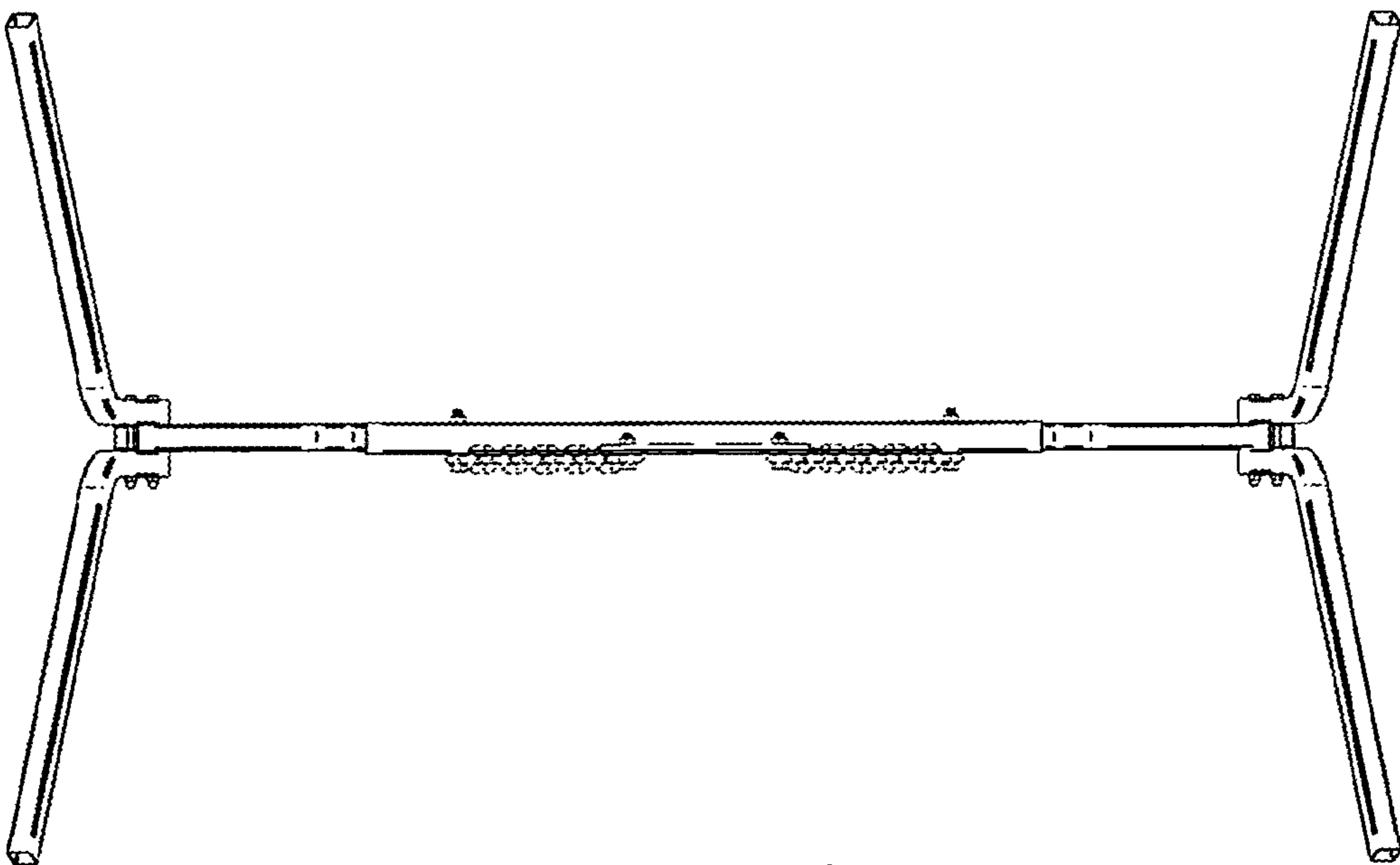
*Figure 3*



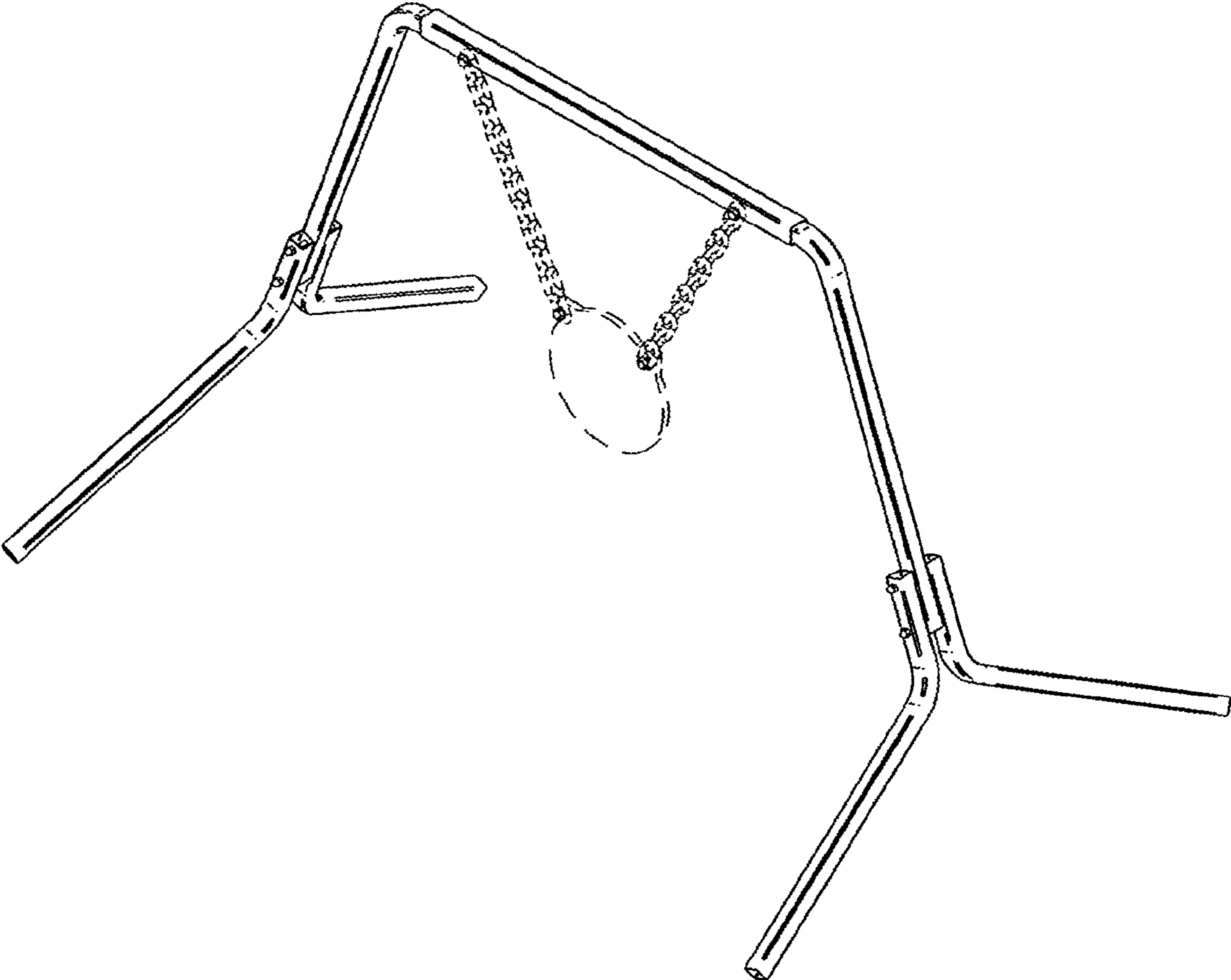
*Figure 4*



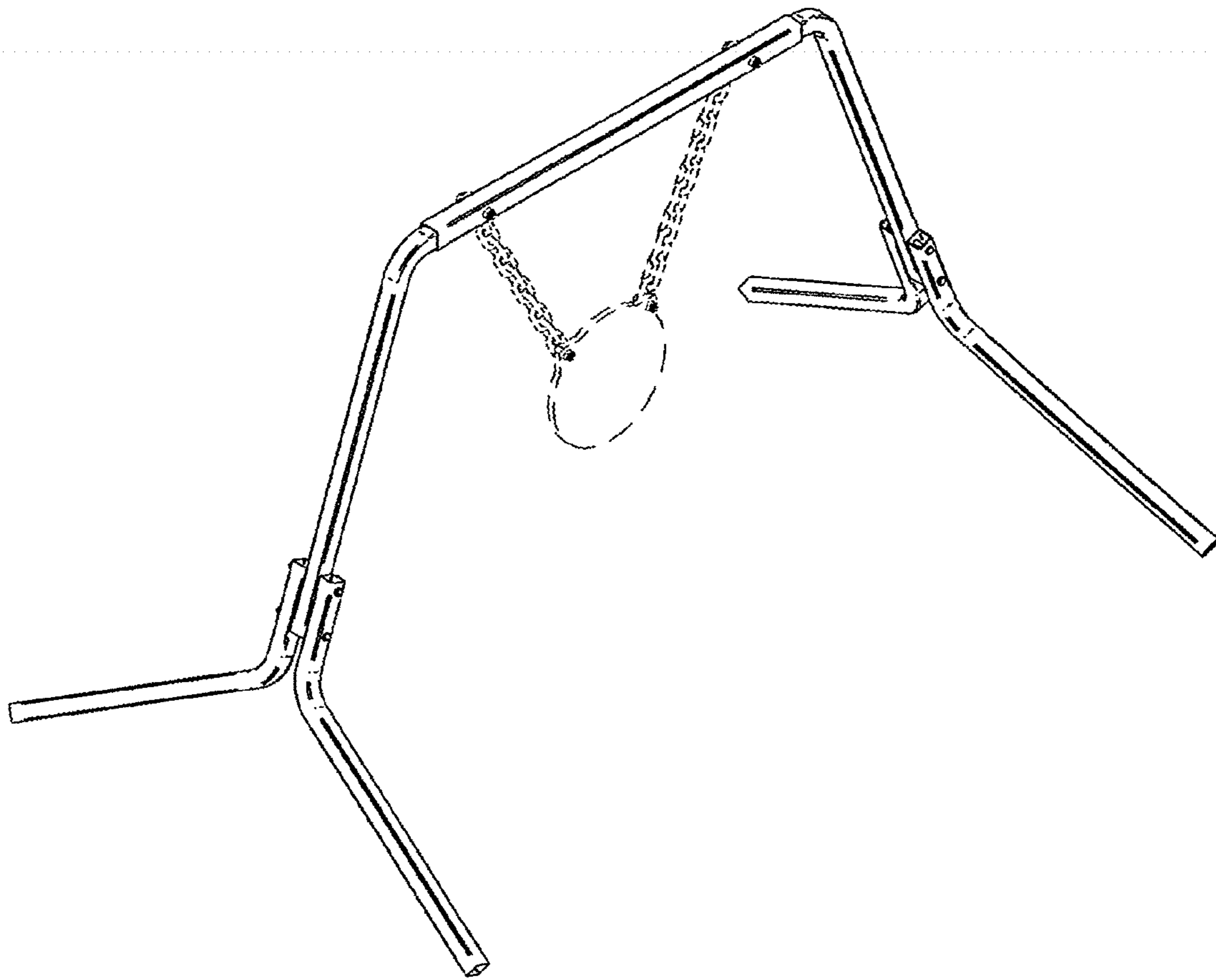
*Figure 5*



*Figure 6*



*Figure 7*



*Figure 8*