



US00D758522S

(12) **United States Design Patent**  
**Ding et al.**

(10) **Patent No.:** **US D758,522 S**  
(45) **Date of Patent:** **\*\* Jun. 7, 2016**

- (54) **BI-POD WITH FLUTED LEG**
- (71) Applicant: **Leapers, Inc.**, Livonia, MI (US)
- (72) Inventors: **Tai-Lai Ding**, Northville, MI (US);  
**Yuedong Yan**, Novi, MI (US); **Tatshing Yu**, Plymouth, MI (US)
- (73) Assignee: **Leapers, Inc.**, Livonia, MI (US)
- (\*\*) Term: **14 Years**
- (21) Appl. No.: **29/514,376**
- (22) Filed: **Jan. 12, 2015**
- (51) **LOC (10) Cl.** ..... **22-01**
- (52) **U.S. Cl.**  
USPC ..... **D22/108**
- (58) **Field of Classification Search**  
USPC ..... D22/108  
CPC ..... F41A 23/08; F41A 23/04  
See application file for complete search history.

- (56) **References Cited**  
U.S. PATENT DOCUMENTS
- |                   |         |                |                          |
|-------------------|---------|----------------|--------------------------|
| D609,768 S *      | 2/2010  | Moody .....    | D22/109                  |
| D650,881 S *      | 12/2011 | Abbott .....   | D22/108                  |
| 2012/0144985 A1 * | 6/2012  | Beville .....  | F41A 3/26<br>89/9        |
| 2012/0186126 A1 * | 7/2012  | Bartak .....   | F41G 11/003<br>42/94     |
| 2013/0104439 A1 * | 5/2013  | Hines .....    | F41C 27/00<br>42/84      |
| 2013/0256475 A1 * | 10/2013 | Warner .....   | F16M 11/041<br>248/176.1 |
| 2015/0020429 A1 * | 1/2015  | Savoy .....    | F41G 11/008<br>42/111    |
| 2015/0077874 A1 * | 3/2015  | Naepflin ..... | G02B 7/1822<br>359/872   |
| 2015/0135577 A1 * | 5/2015  | Poling .....   | F41A 23/08<br>42/94      |

- 2015/0236195 A1 \* 8/2015 Guo ..... H01L 33/0083  
438/47
- 2015/0241160 A1 \* 8/2015 McGinty ..... F41C 23/16  
42/94
- 2015/0362278 A1 \* 12/2015 Genchel ..... F41A 23/10  
42/94
- 2016/0040948 A1 \* 2/2016 Barrett ..... F41A 3/66  
89/136

\* cited by examiner

*Primary Examiner* — Michael A Pratt

(74) *Attorney, Agent, or Firm* — Honigman Miller Schwartz and Cohn LLP

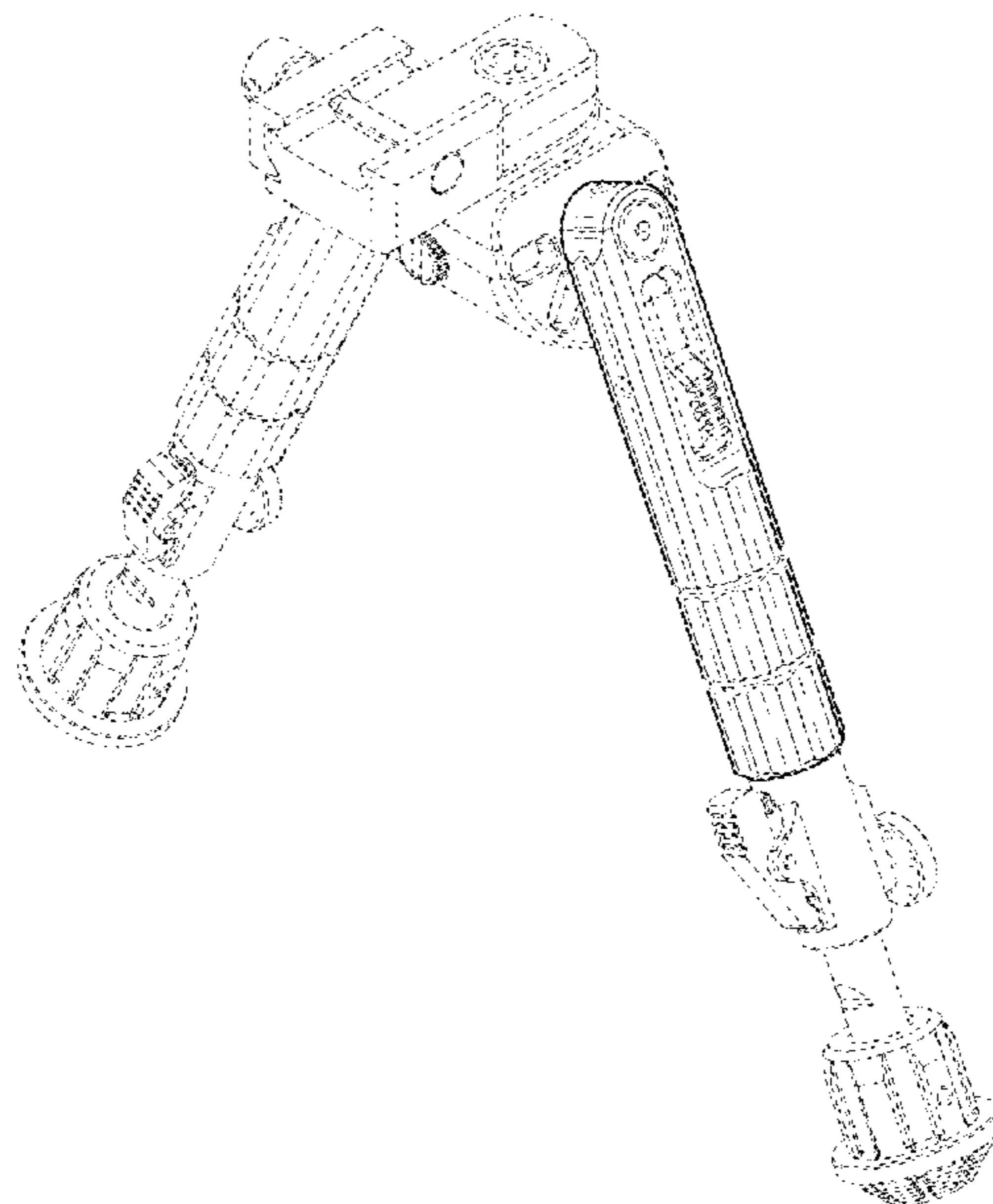
(57) **CLAIM**

The ornamental design for a bi-pod with fluted leg, as shown and described.

**DESCRIPTION**

FIG. 1 is a front/right isometric view of the bi-pod with fluted leg of the present invention;  
 FIG. 2 is a front/left isometric view of the bi-pod with fluted leg of the present invention;  
 FIG. 3 is a front elevational view of the bi-pod with fluted leg of the present invention;  
 FIG. 4 is a rear elevational view of the bi-pod with fluted leg of the present invention;  
 FIG. 5 is a right side elevational view of the bi-pod with fluted leg of the present invention;  
 FIG. 6 is a left side elevational view of the bi-pod with fluted leg of the present invention;  
 FIG. 7 is a top view of the bi-pod with fluted leg of the present invention; and,  
 FIG. 8 is a bottom view of the bi-pod with fluted leg of the present invention.  
 The broken line showing of portions of the bi-pod form no part of the claimed design.

**1 Claim, 6 Drawing Sheets**



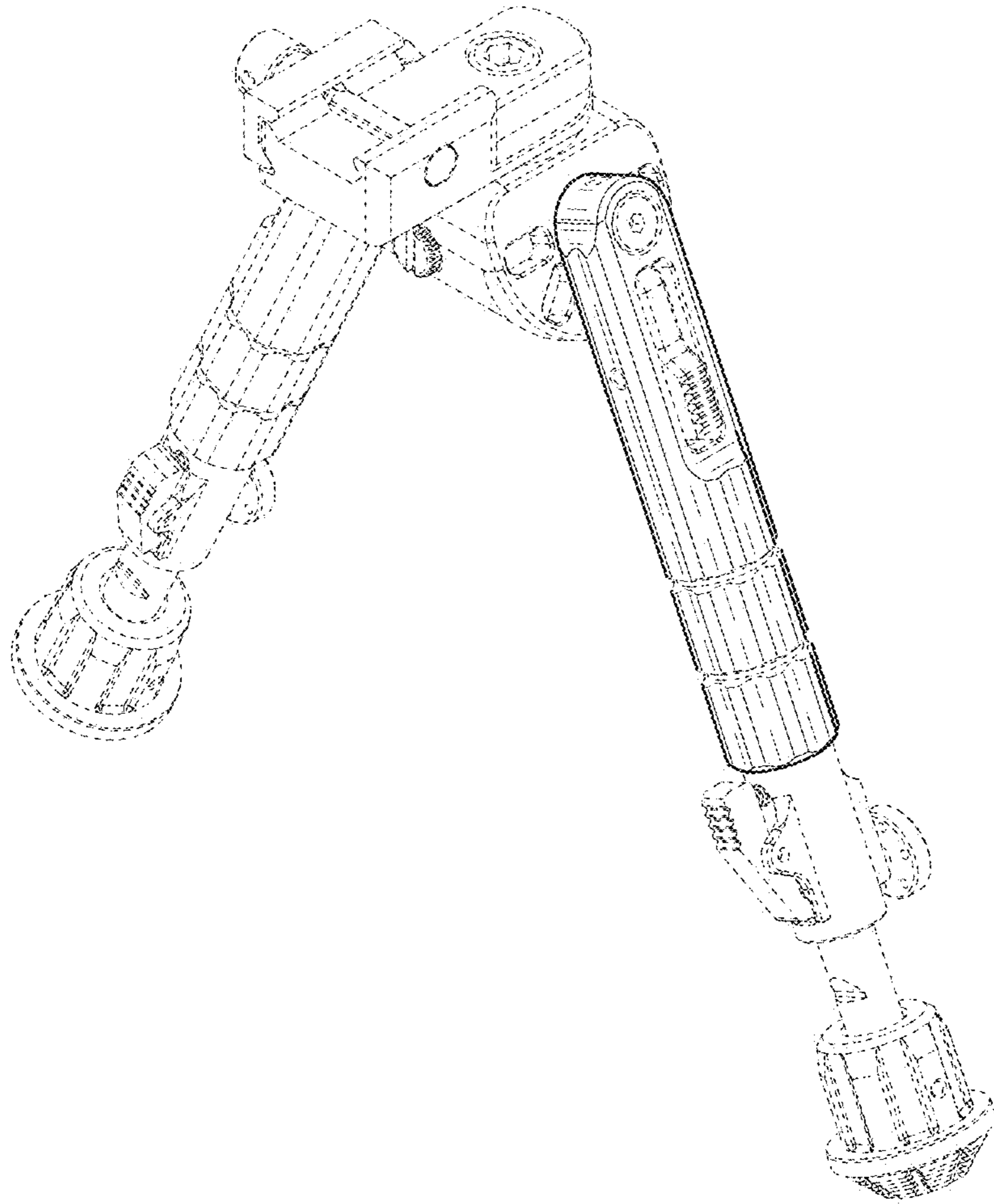


FIG. 1

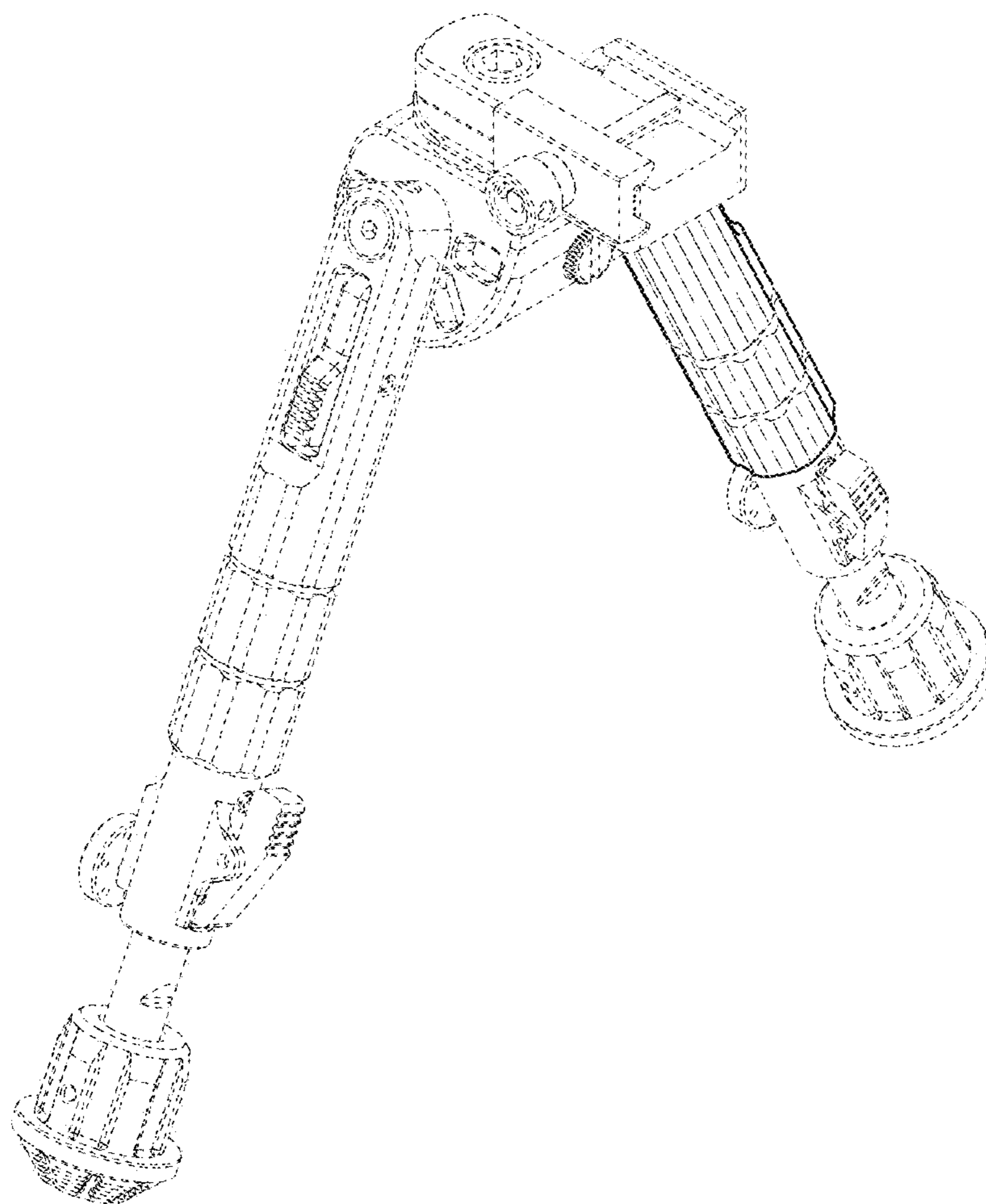


FIG. 2

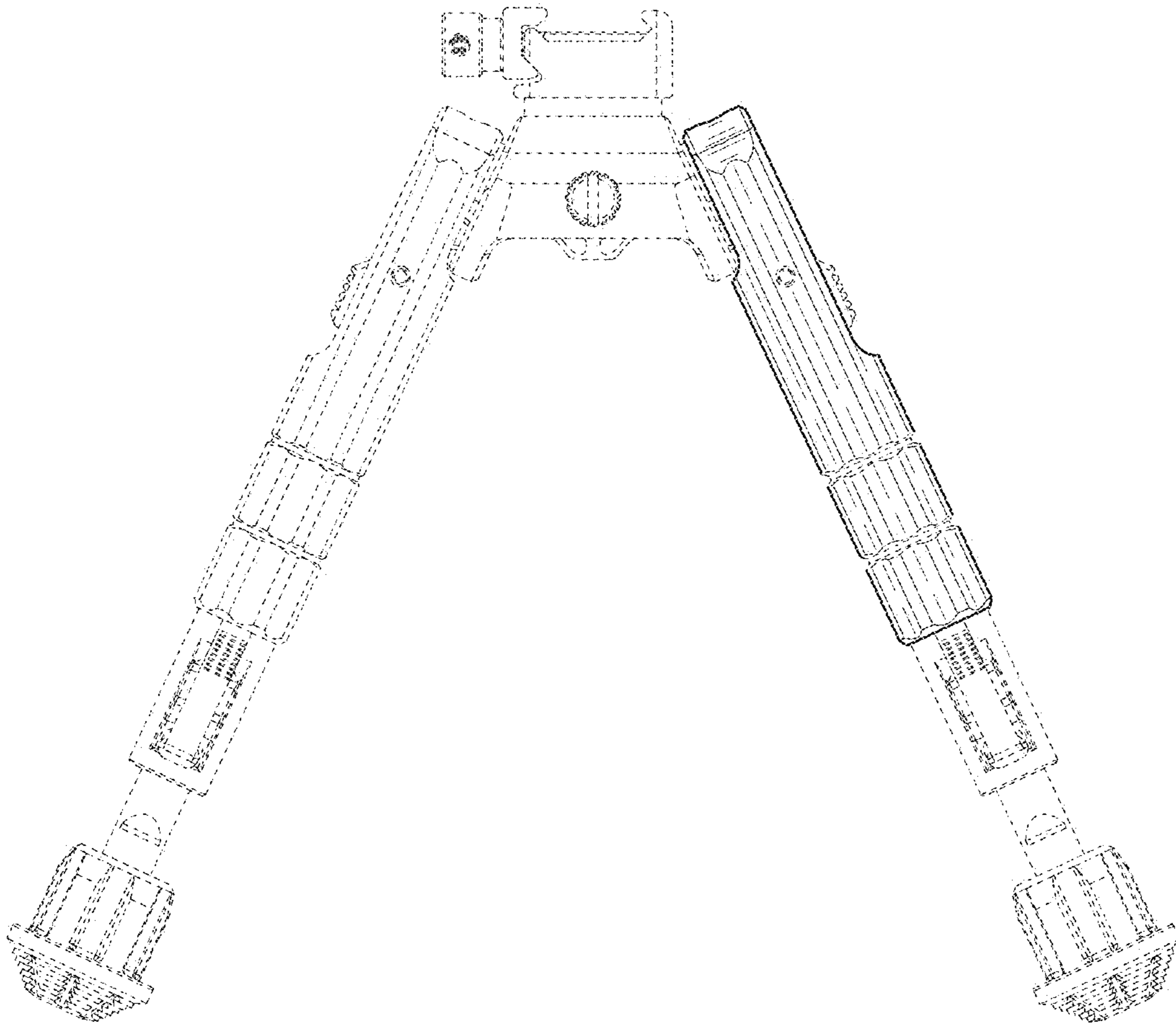


FIG. 3

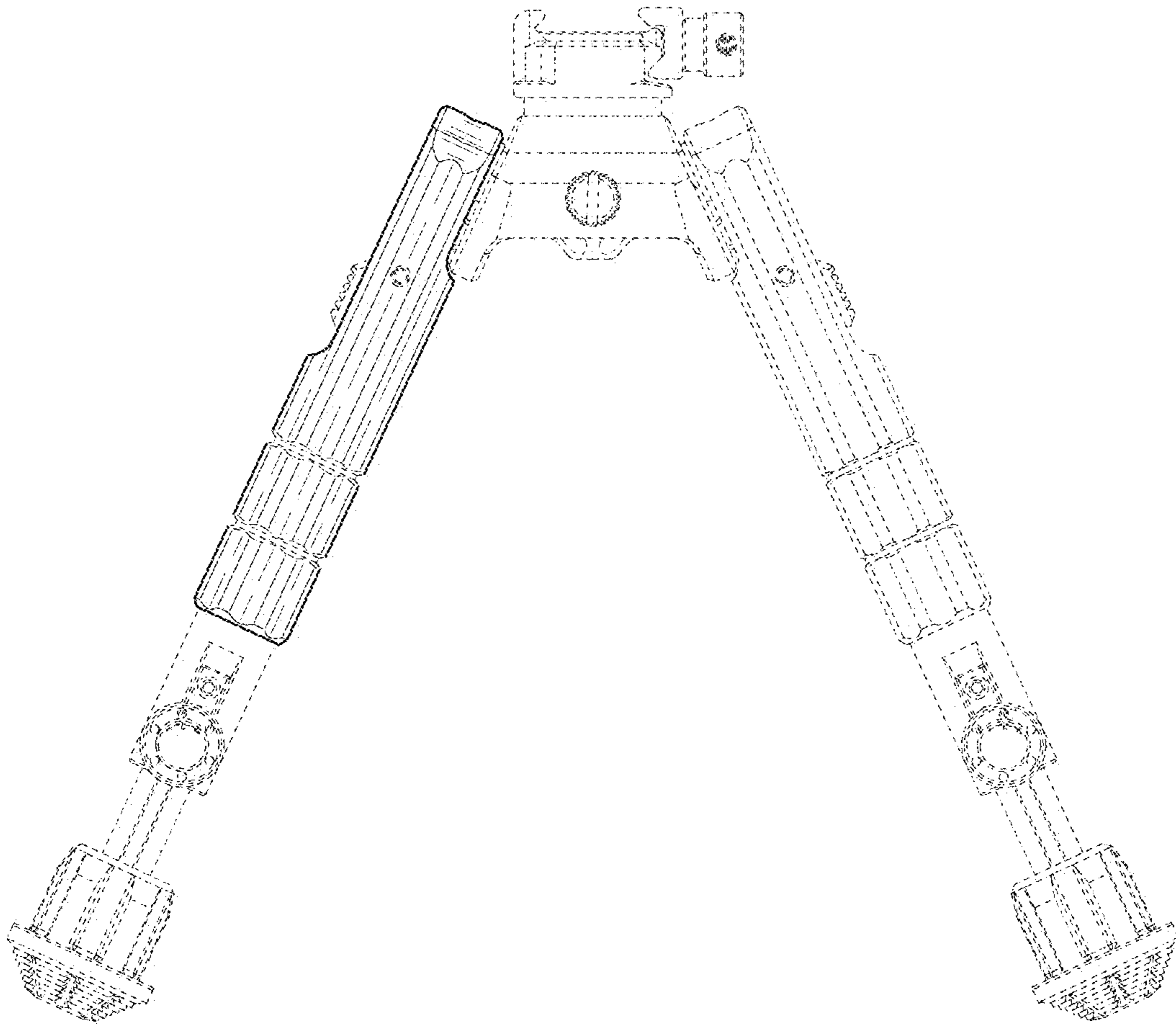


FIG. 4



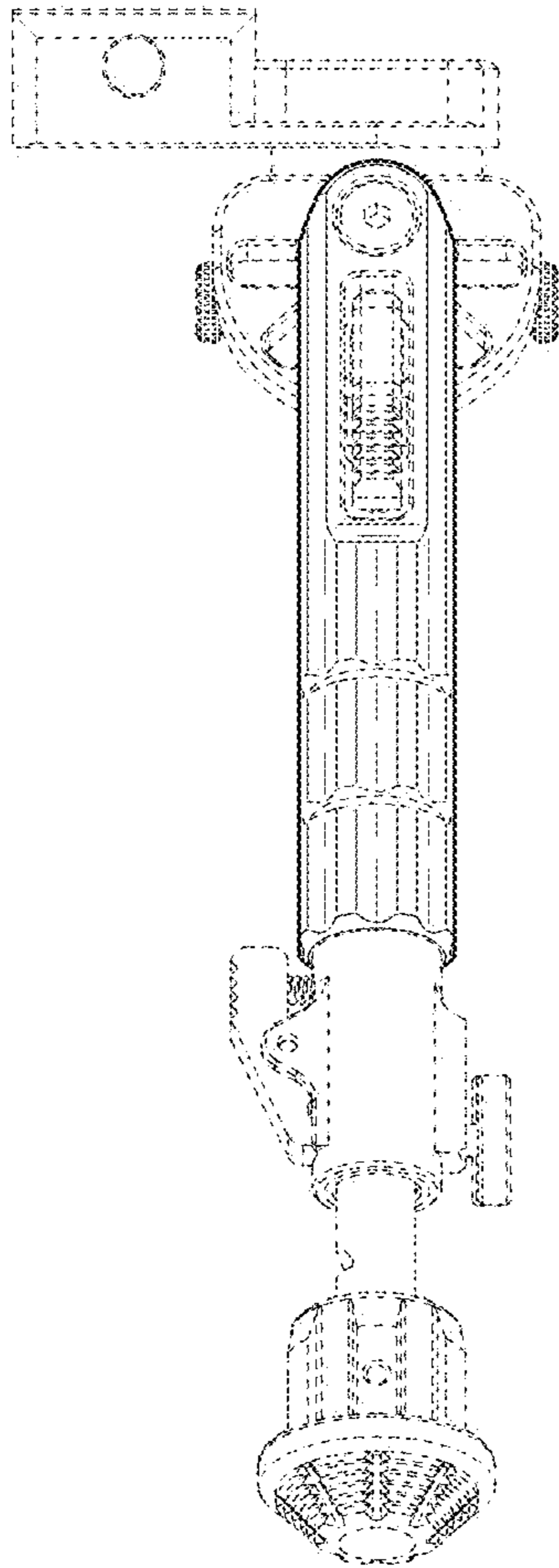


FIG. 5

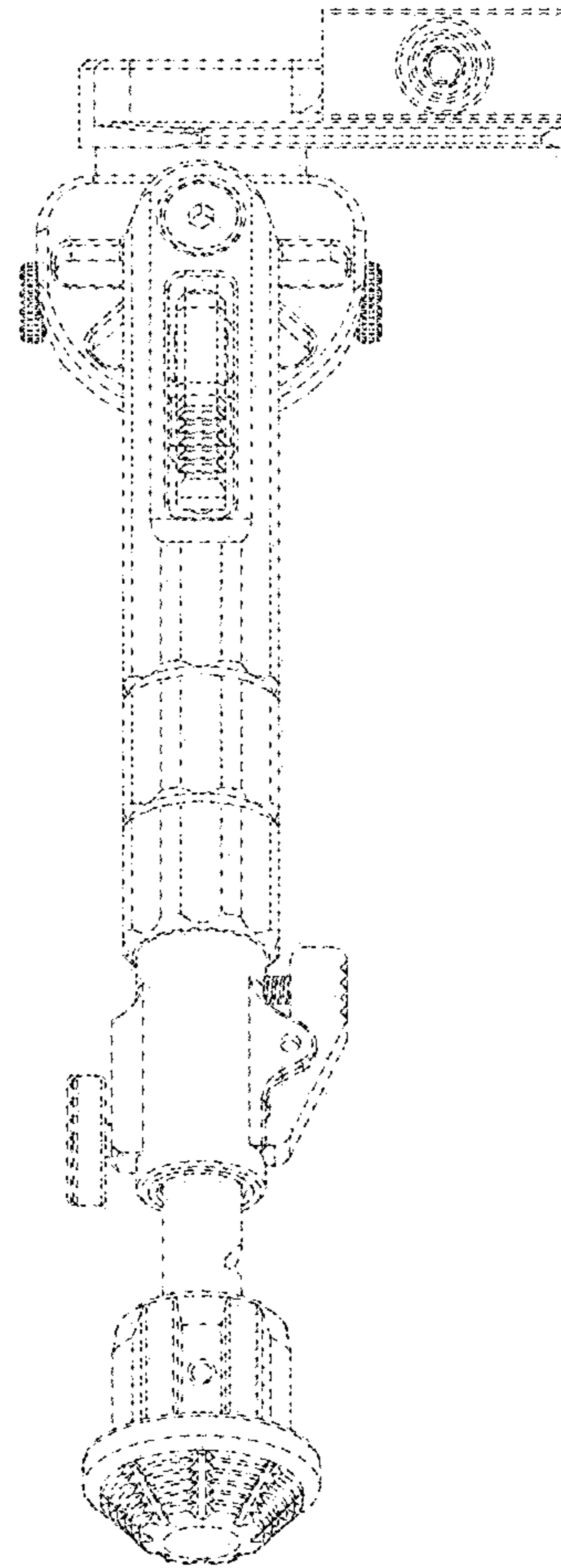


FIG. 6

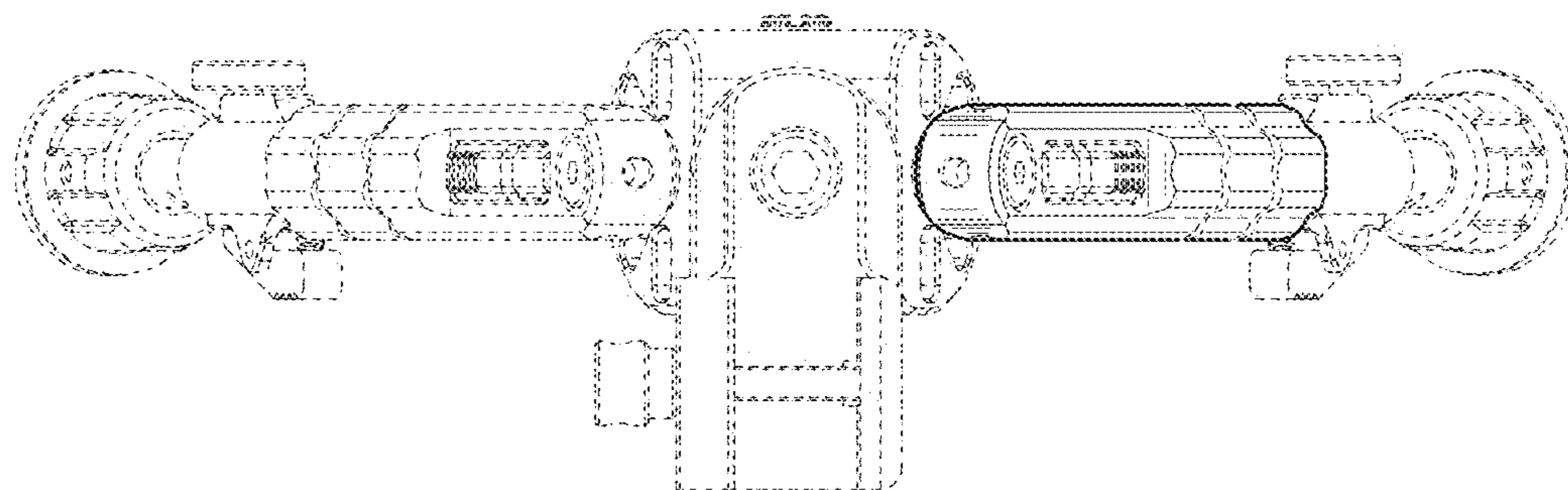


FIG. 7

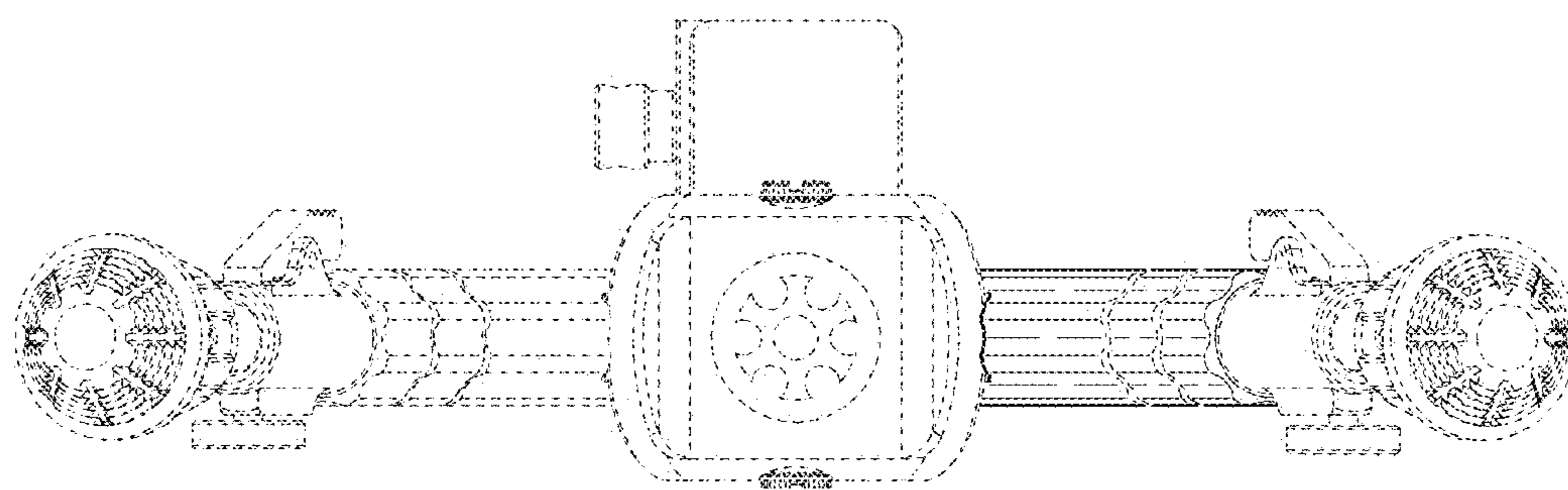


FIG. 8