



US00D758521S

(12) **United States Design Patent**  
**Ding et al.**

(10) **Patent No.:** **US D758,521 S**  
(45) **Date of Patent:** **\*\* Jun. 7, 2016**

(54) **BI-POD HAVING OFFSET PICATINNY MOUNT**

(71) Applicant: **Leapers, Inc.**, Livonia, MI (US)

(72) Inventors: **Tai-Lai Ding**, Northville, MI (US);  
**Yuedong Yan**, Novi, MI (US); **Tatshing Yu**, Plymouth, MI (US)

(73) Assignee: **Leapers, Inc.**, Livonia, MI (US)

(\*\*) Term: **14 Years**

(21) Appl. No.: **29/514,375**

(22) Filed: **Jan. 12, 2015**

(51) **LOC (10) Cl.** ..... **22-01**

(52) **U.S. Cl.**  
USPC ..... **D22/108**

(58) **Field of Classification Search**  
USPC ..... D22/108  
CPC ..... F41A 23/08; F41A 23/04  
See application file for complete search history.

(56) **References Cited**

U.S. PATENT DOCUMENTS

D609,768 S *	2/2010	Moody	.....	D22/109
D650,881 S *	12/2011	Abbott	.....	D22/108
2012/0144985 A1 *	6/2012	Beville	.....	F41A 3/26 89/9
2012/0186126 A1 *	7/2012	Bartak	.....	F41G 11/003 42/94
2013/0104439 A1 *	5/2013	Hines	.....	F41C 27/00 42/84
2013/0256475 A1 *	10/2013	Warner	.....	F16M 11/041 248/176.1
2015/0020429 A1 *	1/2015	Savoy	.....	F41G 11/008 42/111
2015/0077874 A1 *	3/2015	Naepflin	.....	G02B 7/1822 359/872

2015/0135577 A1 *	5/2015	Poling	.....	F41A 23/08 42/94
2015/0236195 A1 *	8/2015	Guo	.....	H01L 33/0083 438/47
2015/0241160 A1 *	8/2015	McGinty	.....	F41C 23/16 42/94
2015/0362278 A1 *	12/2015	Genchel	.....	F41A 23/10 42/94
2016/0040948 A1 *	2/2016	Barrett	.....	F41A 3/66 89/136

\* cited by examiner

*Primary Examiner* — Michael A Pratt

(74) *Attorney, Agent, or Firm* — Honigman Miller Schwartz and Cohn LLP

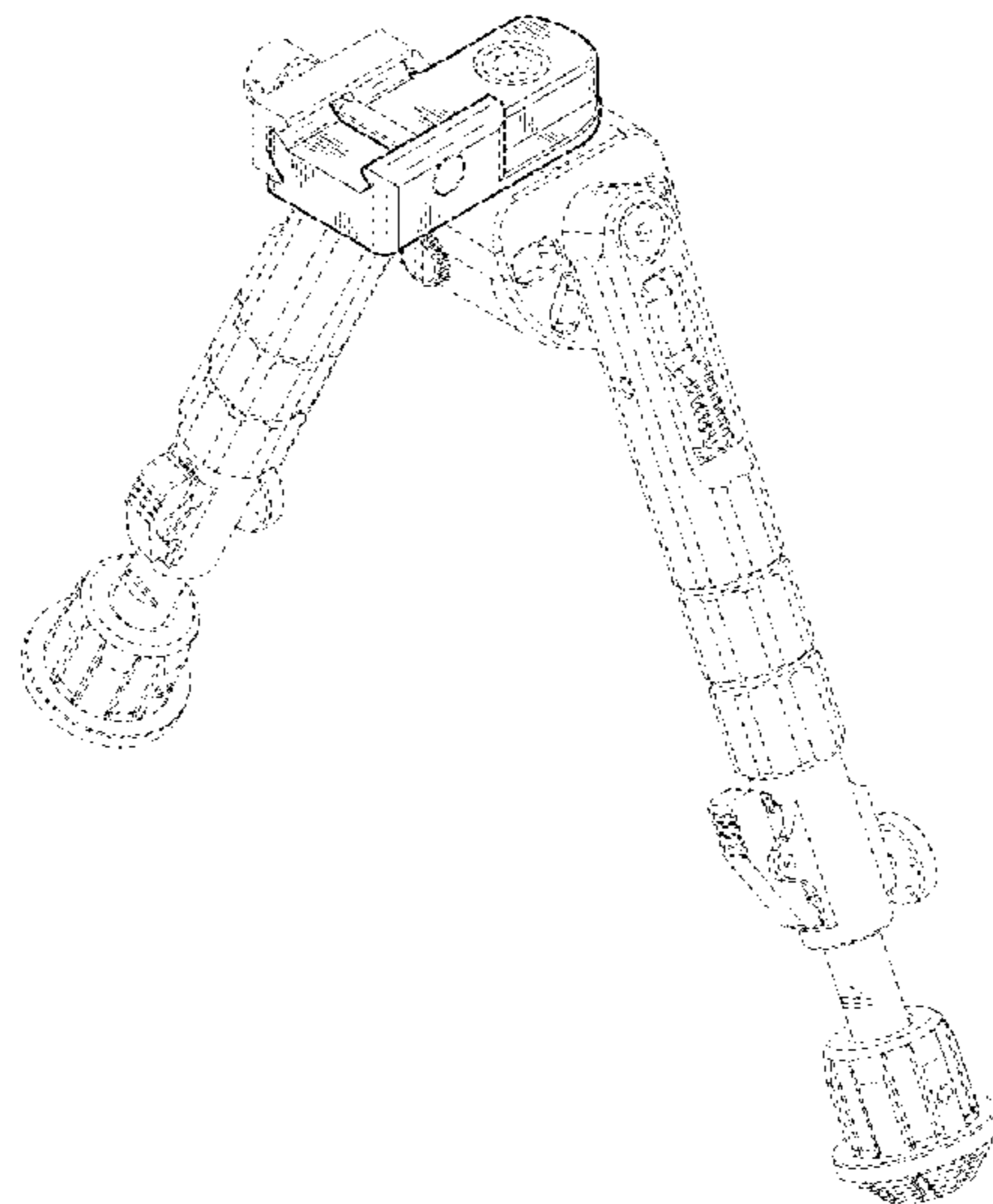
(57) **CLAIM**

The ornamental design for a bi-pod having offset Picatinny mount, as shown and described.

**DESCRIPTION**

FIG. 1 is a front/right isometric view of the bi-pod having offset Picatinny mount of the present invention;  
 FIG. 2 is a front/left isometric view of the bi-pod having offset Picatinny mount of the present invention;  
 FIG. 3 is a front elevational view of the bi-pod having offset Picatinny mount of the present invention;  
 FIG. 4 is a rear elevational view of the bi-pod having offset Picatinny mount of the present invention;  
 FIG. 5 is a right side elevational view of the bi-pod having offset Picatinny mount of the present invention;  
 FIG. 6 is a left side elevational view of the bi-pod having offset Picatinny mount of the present invention;  
 FIG. 7 is a top view of the of the bi-pod having offset Picatinny mount of the present invention; and,  
 FIG. 8 is a bottom view of the bi-pod having offset Picatinny mount of the present invention.  
 The broken line showing of portions of the bi-pod form no part of the claimed design.

**1 Claim, 6 Drawing Sheets**



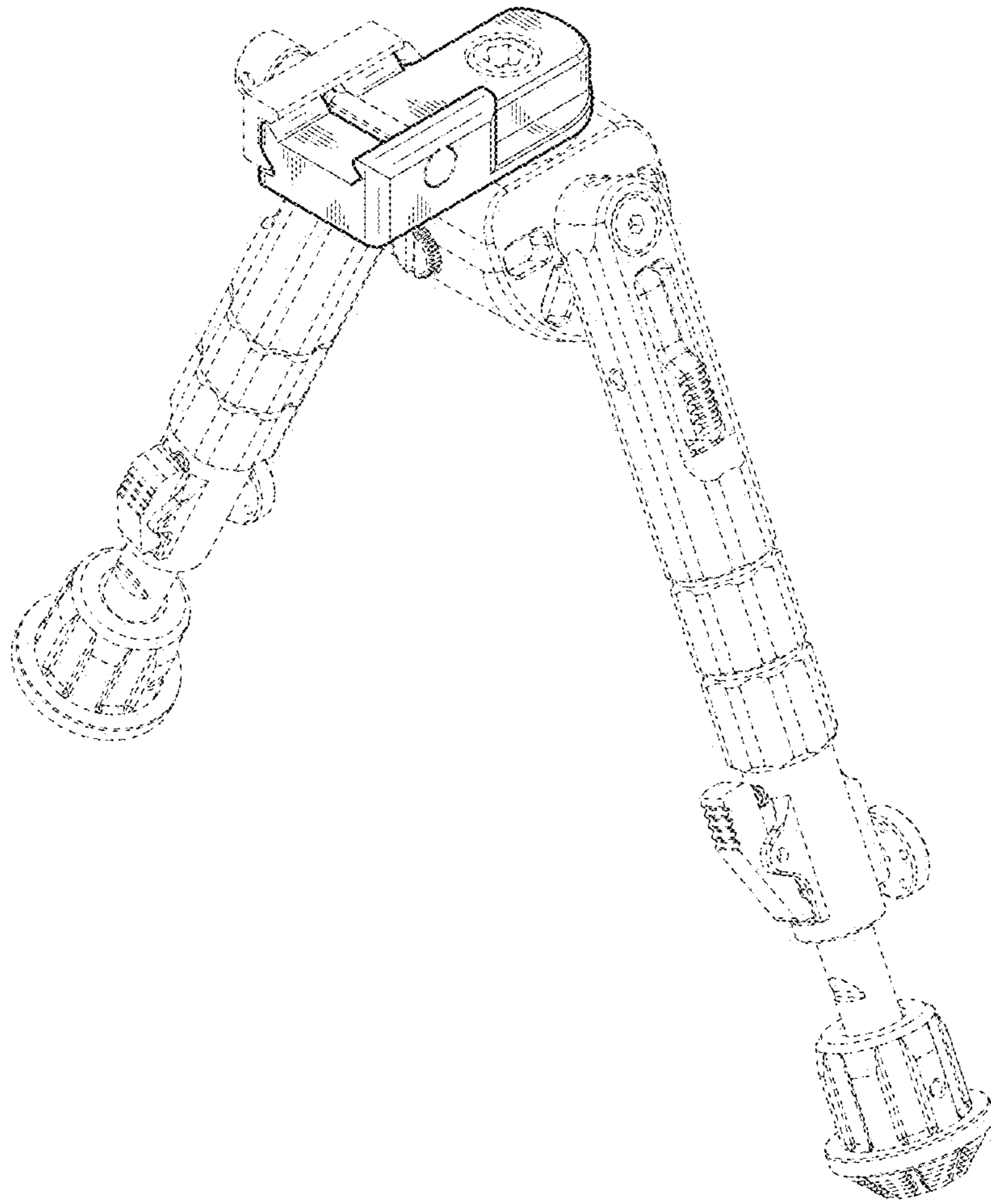


FIG. 1

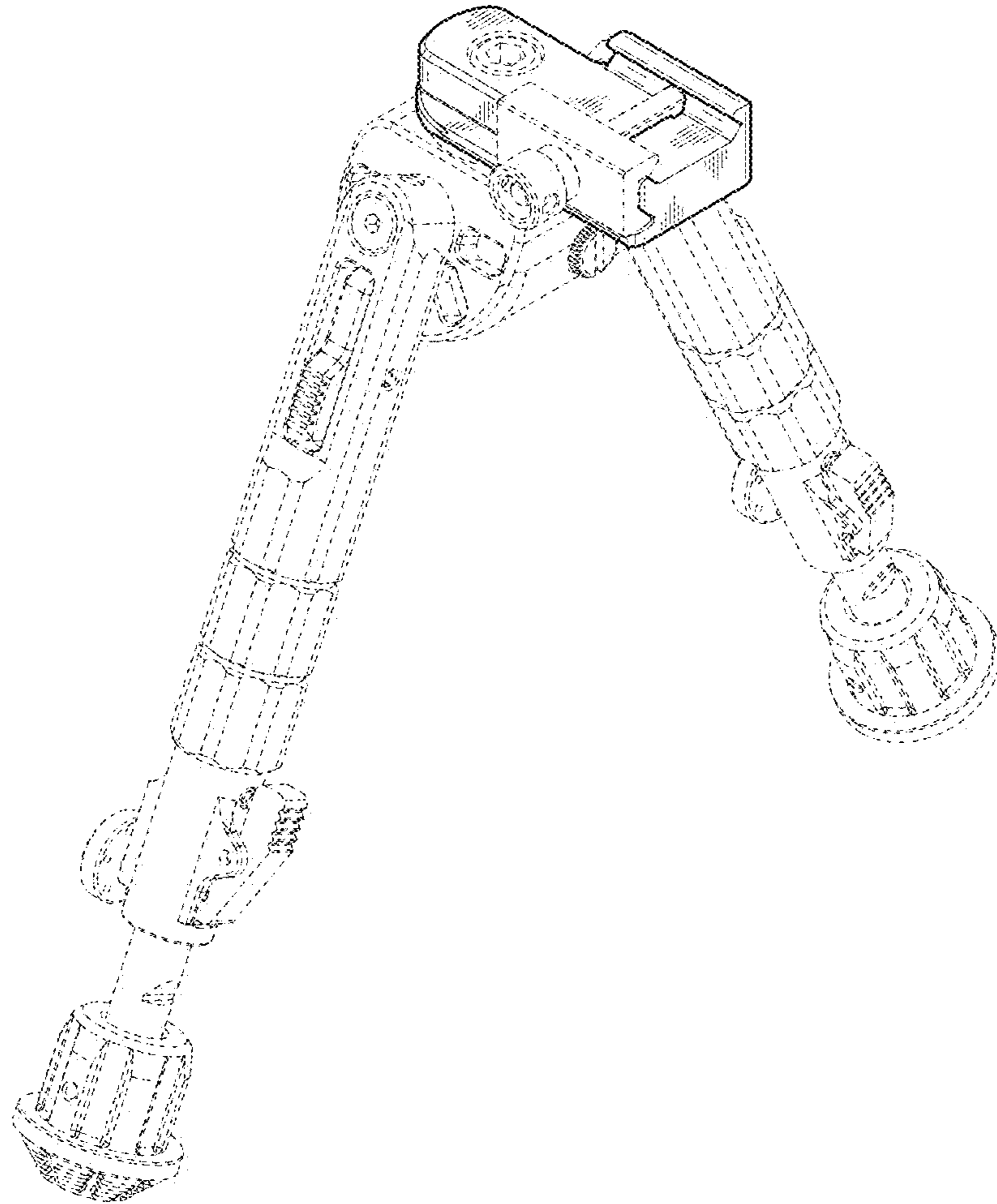


FIG. 2

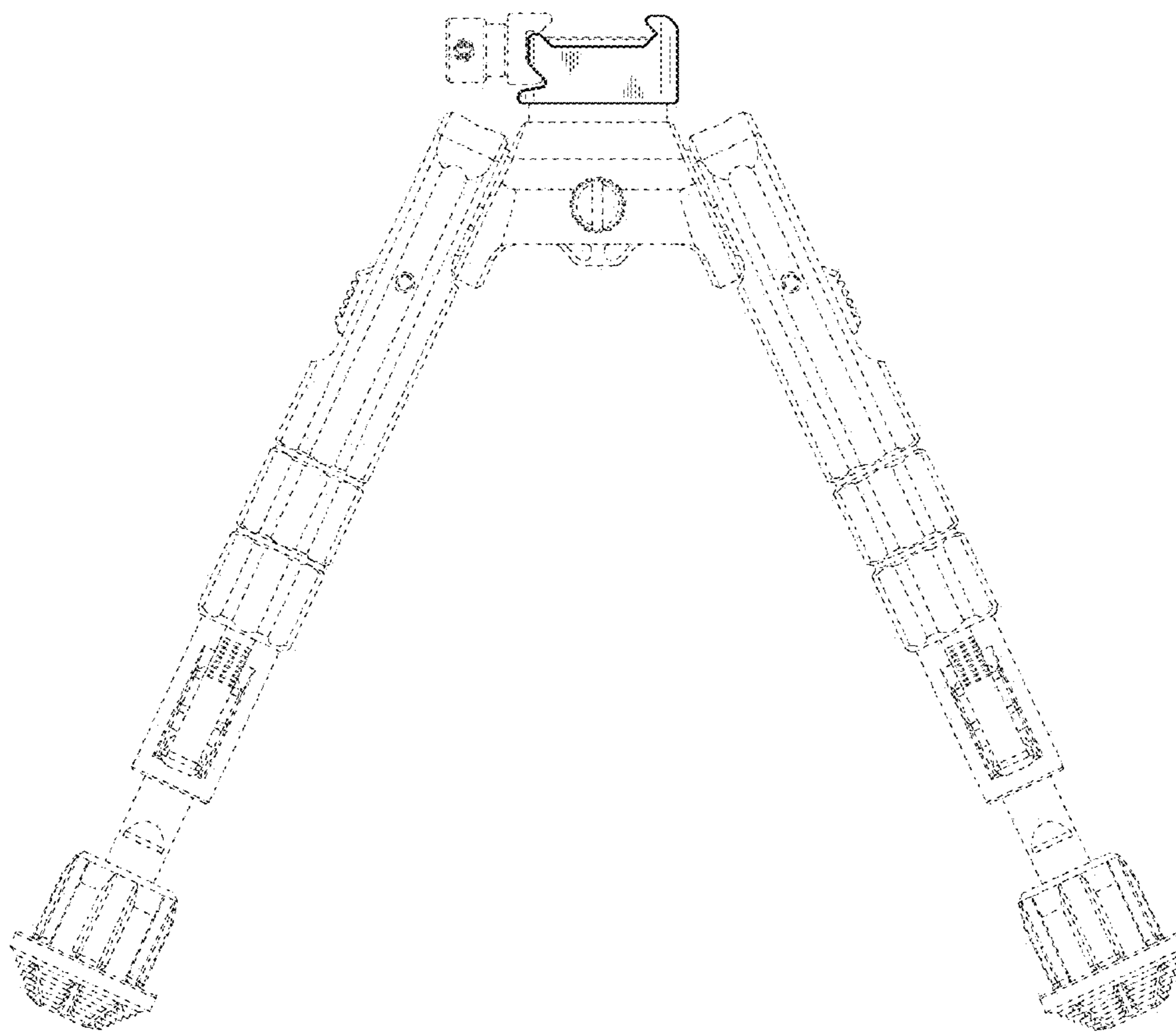


FIG. 3

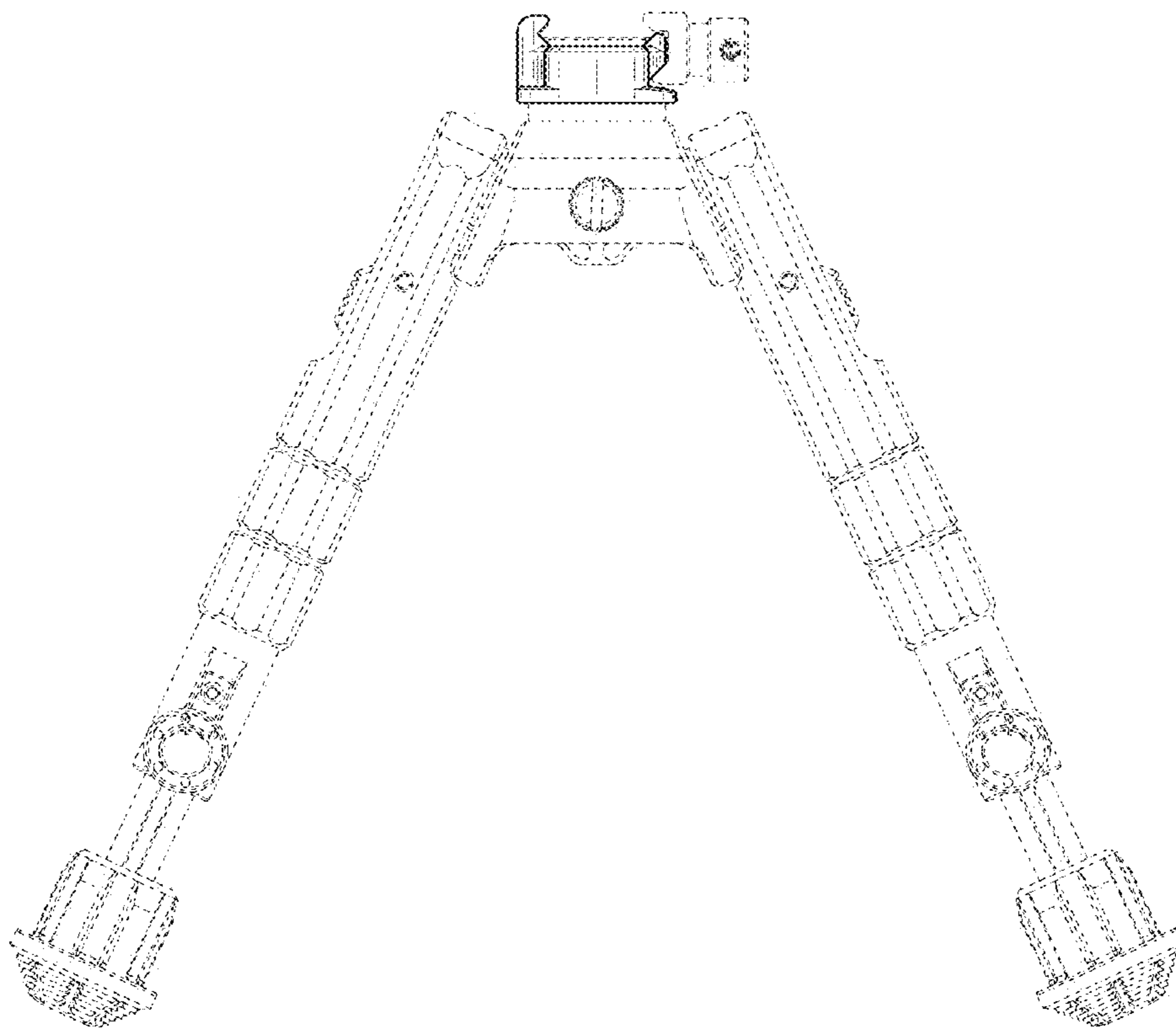


FIG. 4



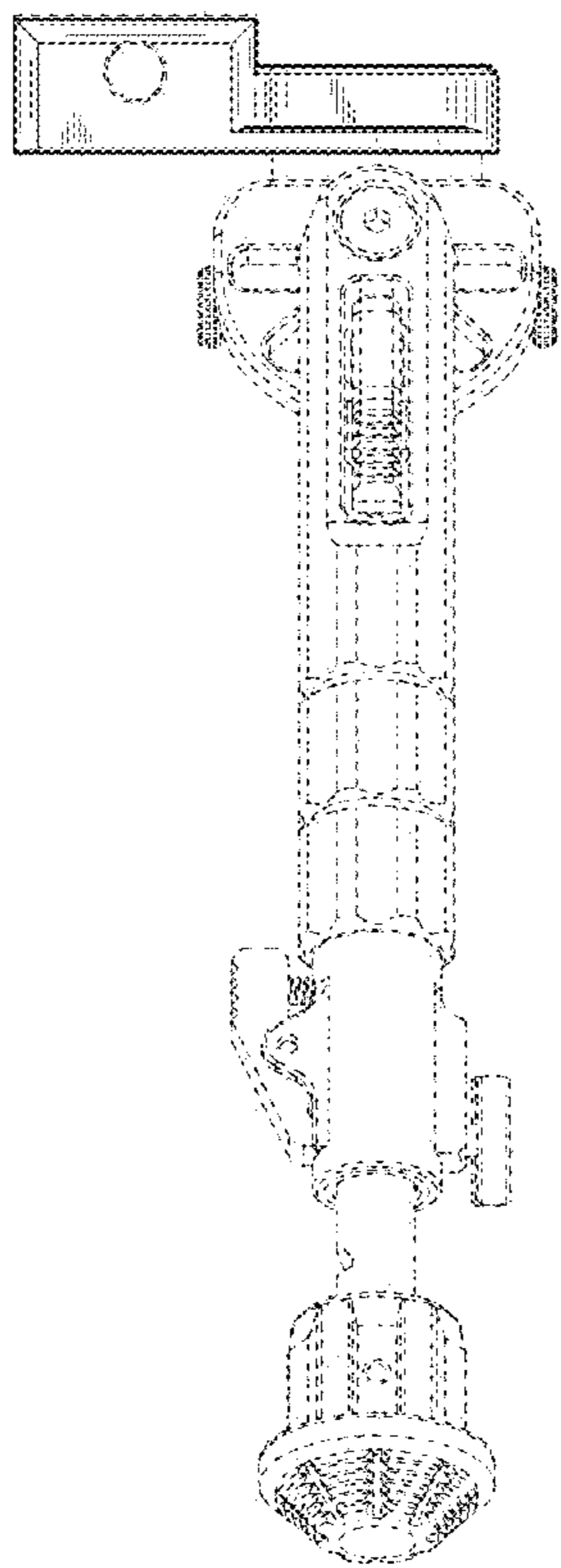


FIG. 5

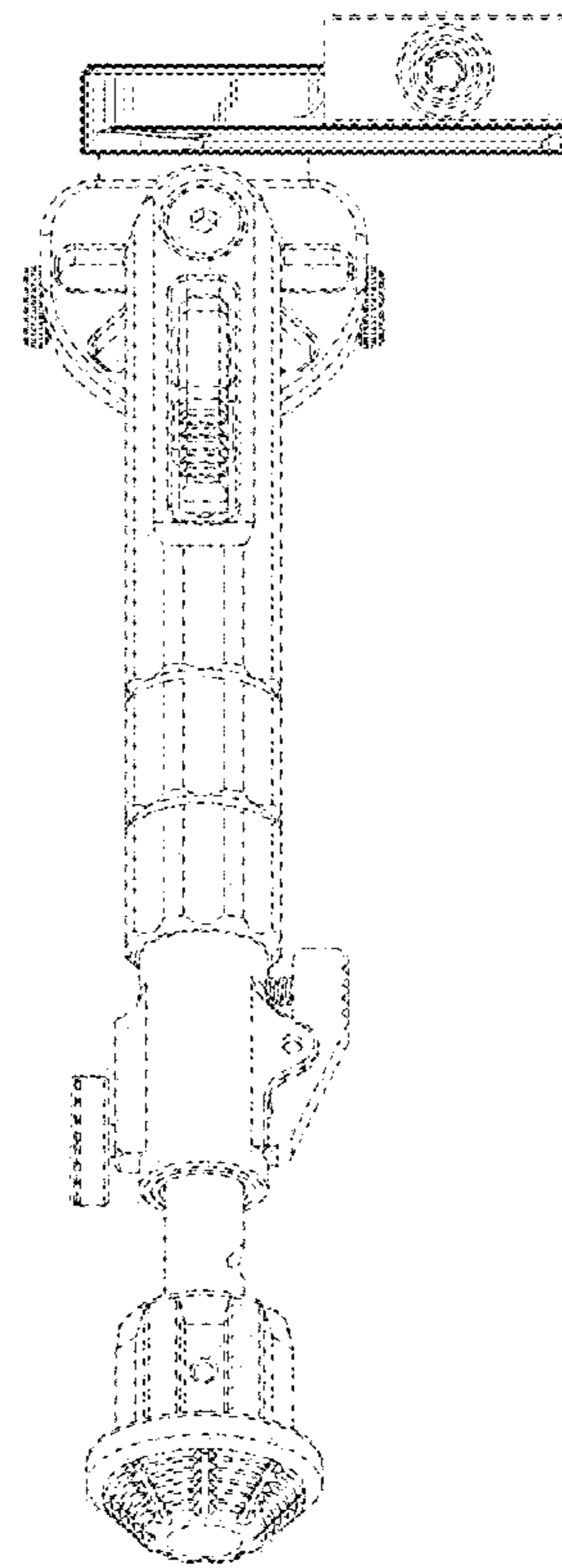


FIG. 6

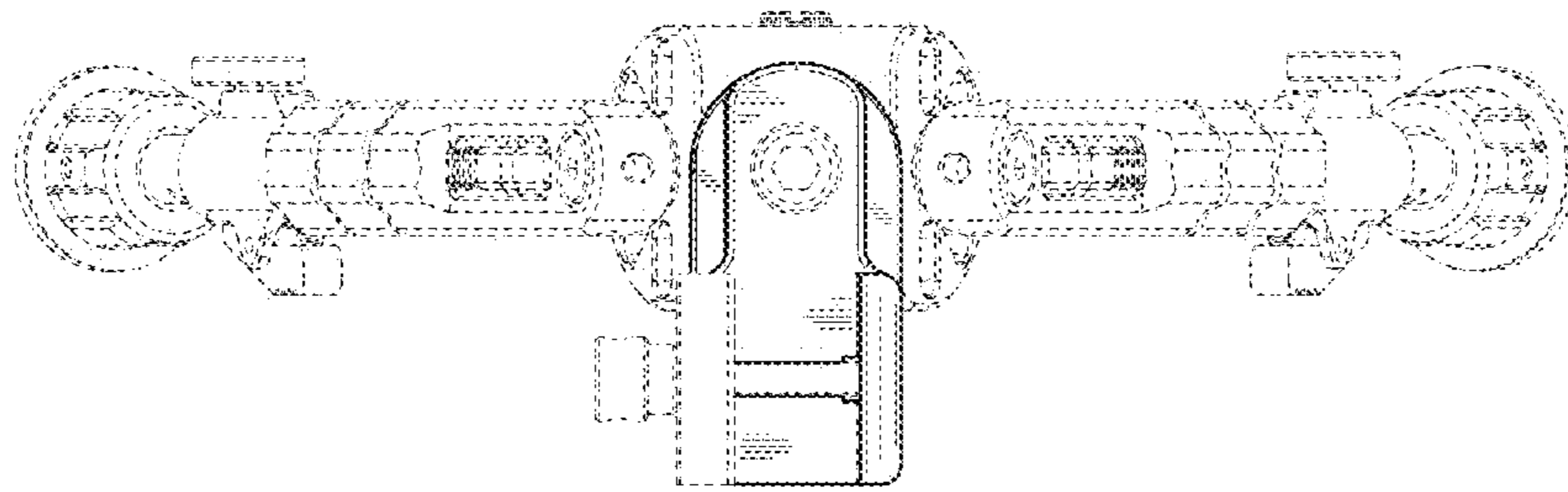


FIG. 7

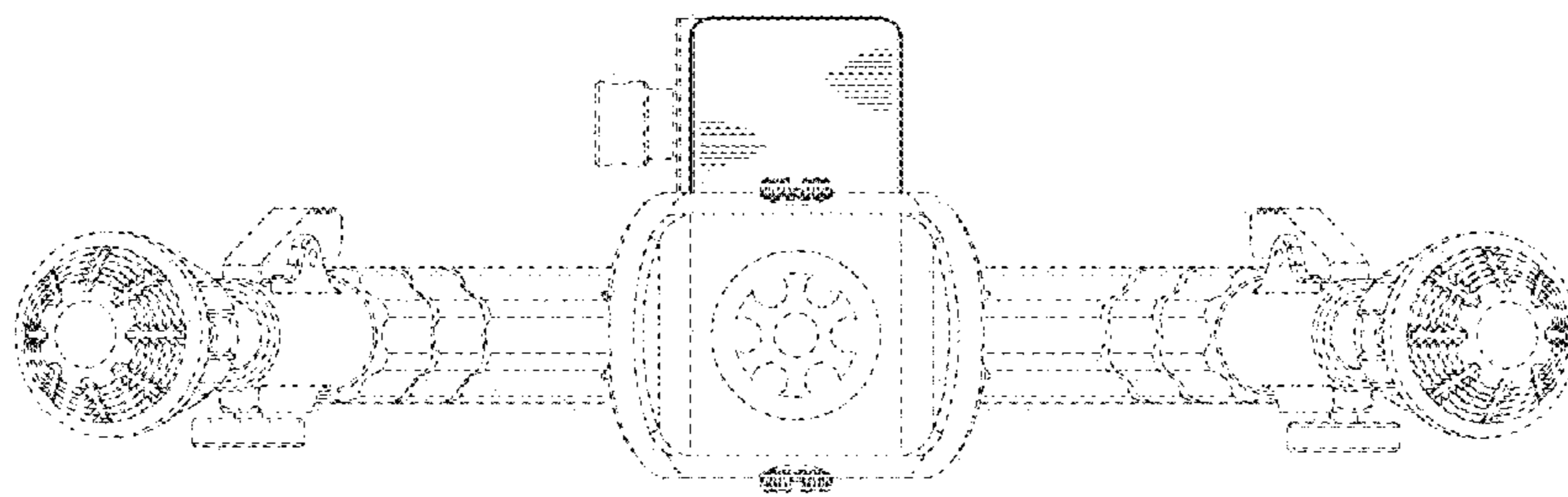


FIG. 8