



US00D758519S

(12) **United States Design Patent**  
**Toner et al.**

(10) **Patent No.:** **US D758,519 S**  
(45) **Date of Patent:** **\*\* Jun. 7, 2016**

- (54) **FIREARM SLIDE**
- (71) Applicant: **Sig Sauer, Inc.**, Newington, NH (US)
- (72) Inventors: **Sean P. Toner**, Merrimack, NH (US);  
**Matthew A. Taylor**, Barrington, NH (US);  
**Jeffrey E. Creamer**, Fremont, NH (US);  
**Timothy B. Butler**, Epping, NH (US)
- (73) Assignee: **Sig Sauer, Inc.**, Newington, NH (US)
- (\*\*) Term: **14 Years**
- (21) Appl. No.: **29/508,468**
- (22) Filed: **Nov. 6, 2014**
- (51) **LOC (10) Cl.** ..... **22-01**
- (52) **U.S. Cl.**  
USPC ..... **D22/108**
- (58) **Field of Classification Search**  
USPC ..... D22/104, 108; D21/572-575  
CPC ..... F41C 3/14; F41C 3/16; F41C 3/04  
See application file for complete search history.

(56) **References Cited**

**U.S. PATENT DOCUMENTS**

5,758,524	A *	6/1998	Yu	.....	E05B 47/0038 292/251.5
8,468,734	B2 *	6/2013	Meller	.....	F41A 3/72 42/71.02
8,881,443	B2 *	11/2014	Westwood	.....	F41A 17/02 42/70.05
8,950,100	B2 *	2/2015	Nebeker	.....	29/426.1
2001/0037596	A1 *	11/2001	Salvitti	.....	F41A 17/64 42/70.08
2007/0199227	A1 *	8/2007	Ertl	.....	F41G 1/26 42/137
2011/0088304	A1 *	4/2011	Lorenzut	.....	F41A 5/12 42/1.06
2011/0088539	A1 *	4/2011	Oz	.....	F41A 19/34 89/1.4

2011/0154710	A1 *	6/2011	Hatfield	.....	F41A 19/34 42/90
2012/0317856	A1 *	12/2012	Burke	.....	F41A 11/02 42/16
2013/0283660	A1 *	10/2013	Matthews	.....	F41G 1/30 42/113
2014/0053445	A1 *	2/2014	Wolf	.....	F41A 3/12 42/14
2014/0298703	A1 *	10/2014	Gale	.....	F41C 27/00 42/71.02
2015/0241175	A1 *	8/2015	Wolf	.....	F41G 1/26 42/124

**OTHER PUBLICATIONS**

Sig Sauer, Inc. 2015 Product Catalog (abridged), P320, downloaded from <http://www.sigsauer.com/Download/CatalogRequest.aspx> on Mar. 24, 2015, 5 pages total.

\* cited by examiner

*Primary Examiner* — Michael A Pratt

(74) *Attorney, Agent, or Firm* — Finch & Maloney PLLC

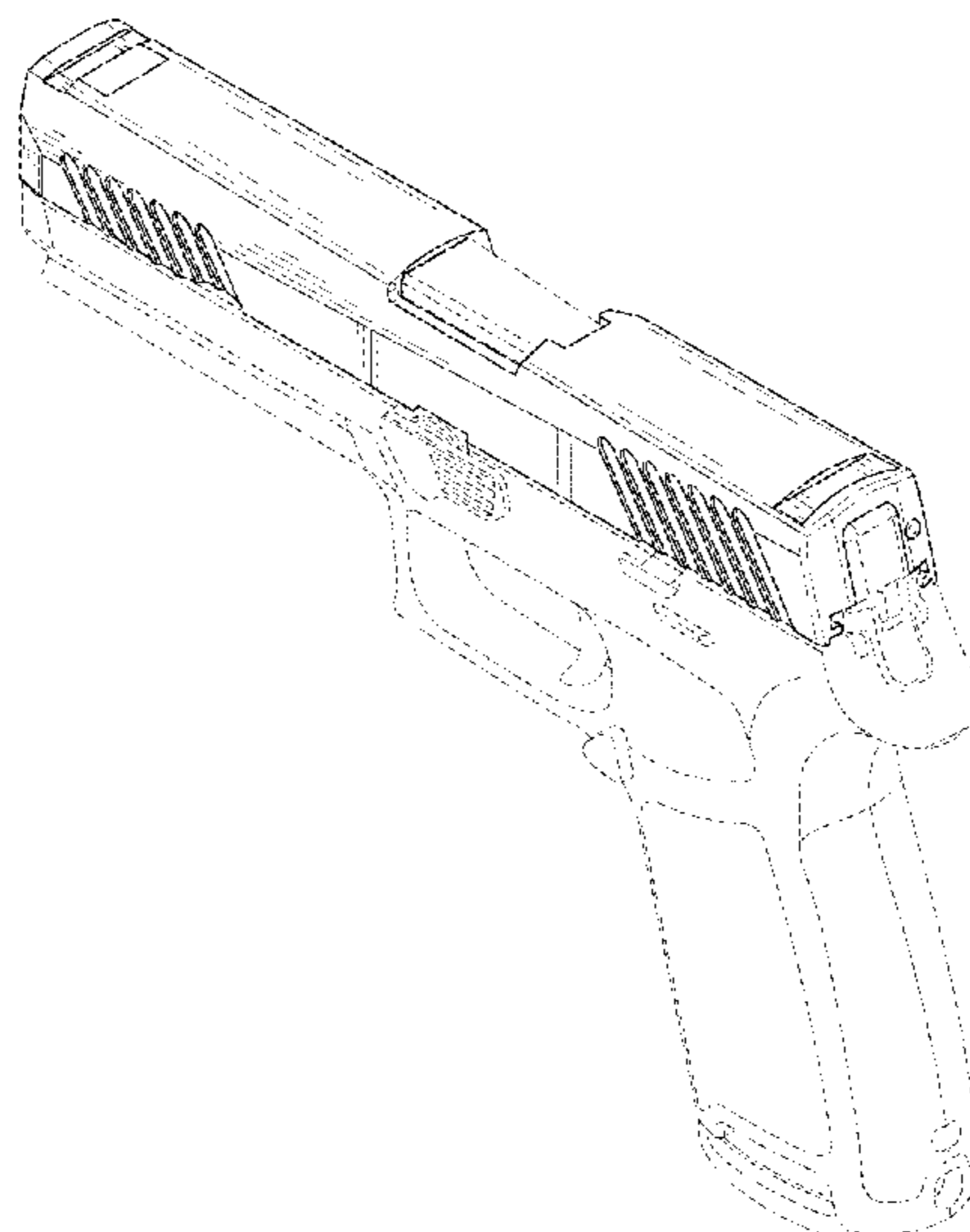
(57) **CLAIM**

The ornamental design for a firearm slide, as shown and described.

**DESCRIPTION**

FIG. 1 is a perspective view of a firearm slide showing our new design;  
FIG. 2 is a front elevation view thereof;  
FIG. 3 is a rear elevation view thereof;  
FIG. 4 is a left elevation view thereof;  
FIG. 5 is a right elevation view thereof;  
FIG. 6 is a top elevation view thereof; and,  
FIG. 7 is a bottom elevation view thereof.  
The broken lines in the figures are for the purpose of illustrating environmental structure only and form no part of the claimed design. Any surface or portion of our design not shown in the figures or otherwise described herein forms no part of the claimed design.

**1 Claim, 5 Drawing Sheets**



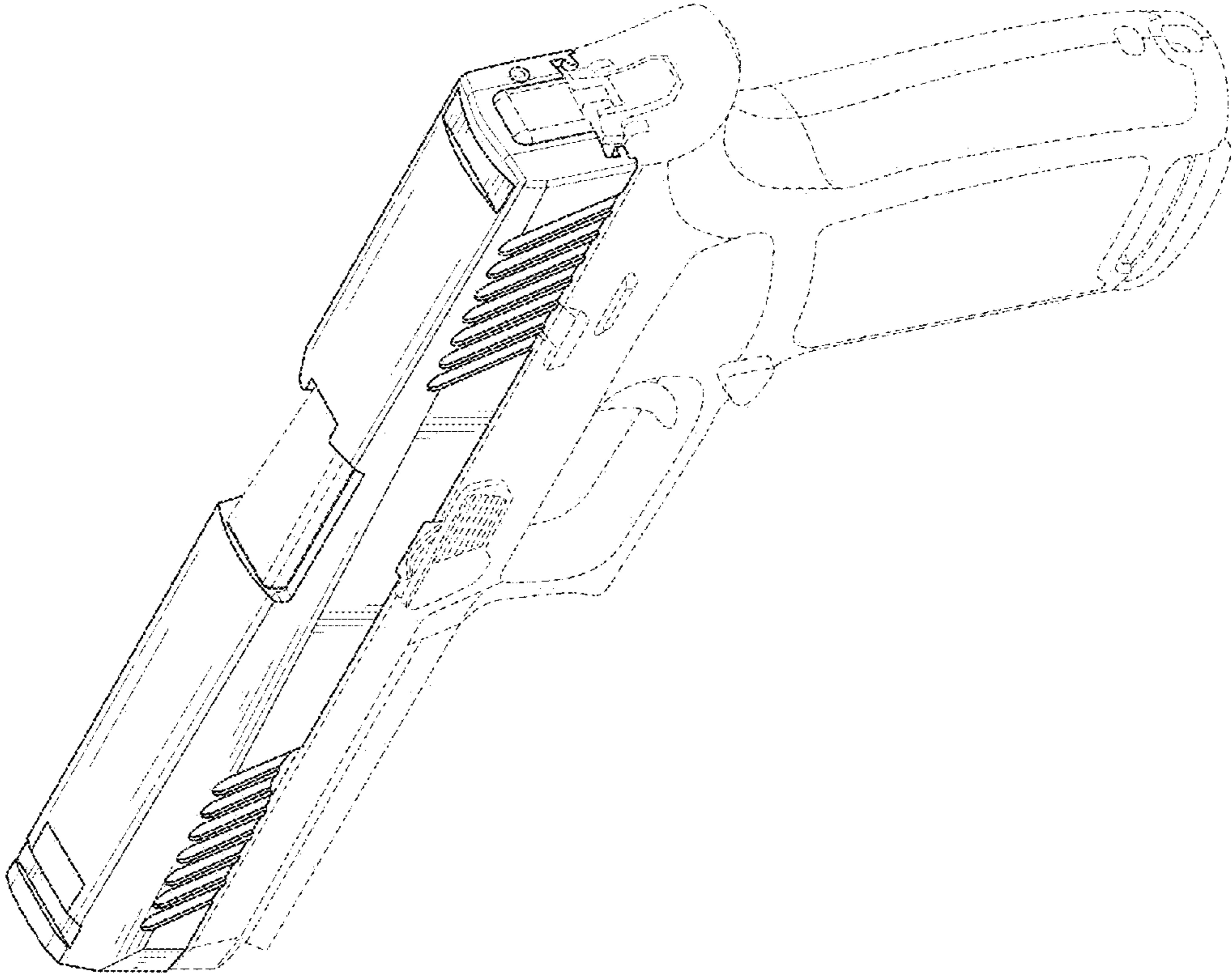


FIG. 1

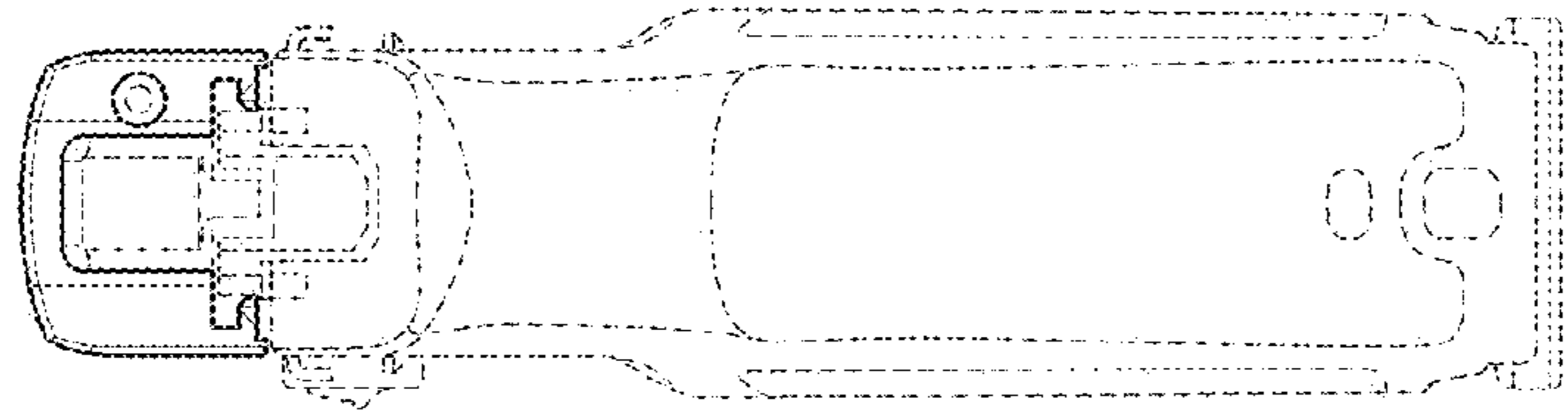


FIG. 3

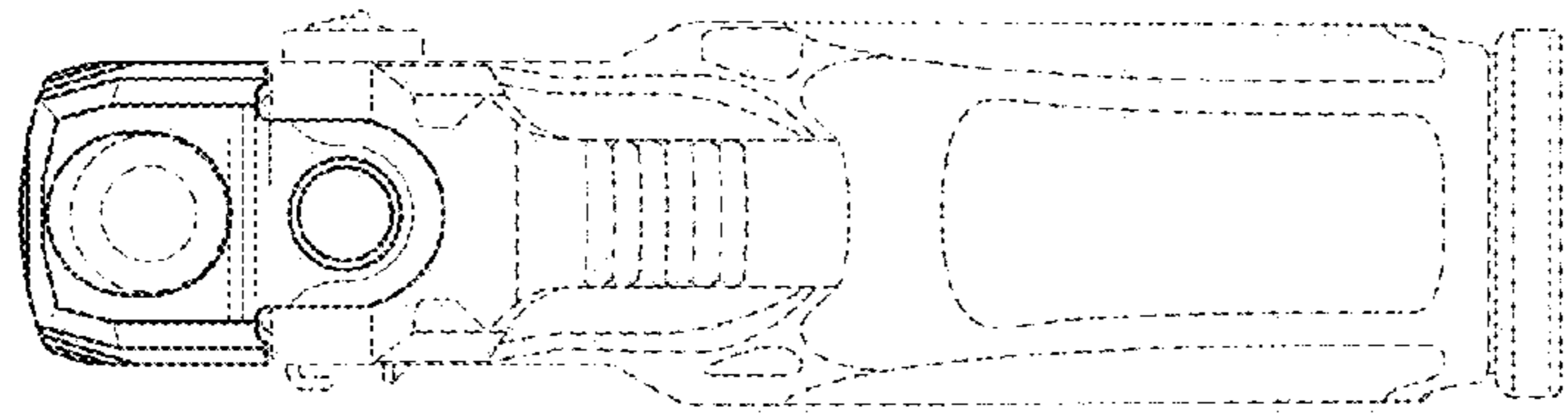


FIG. 2

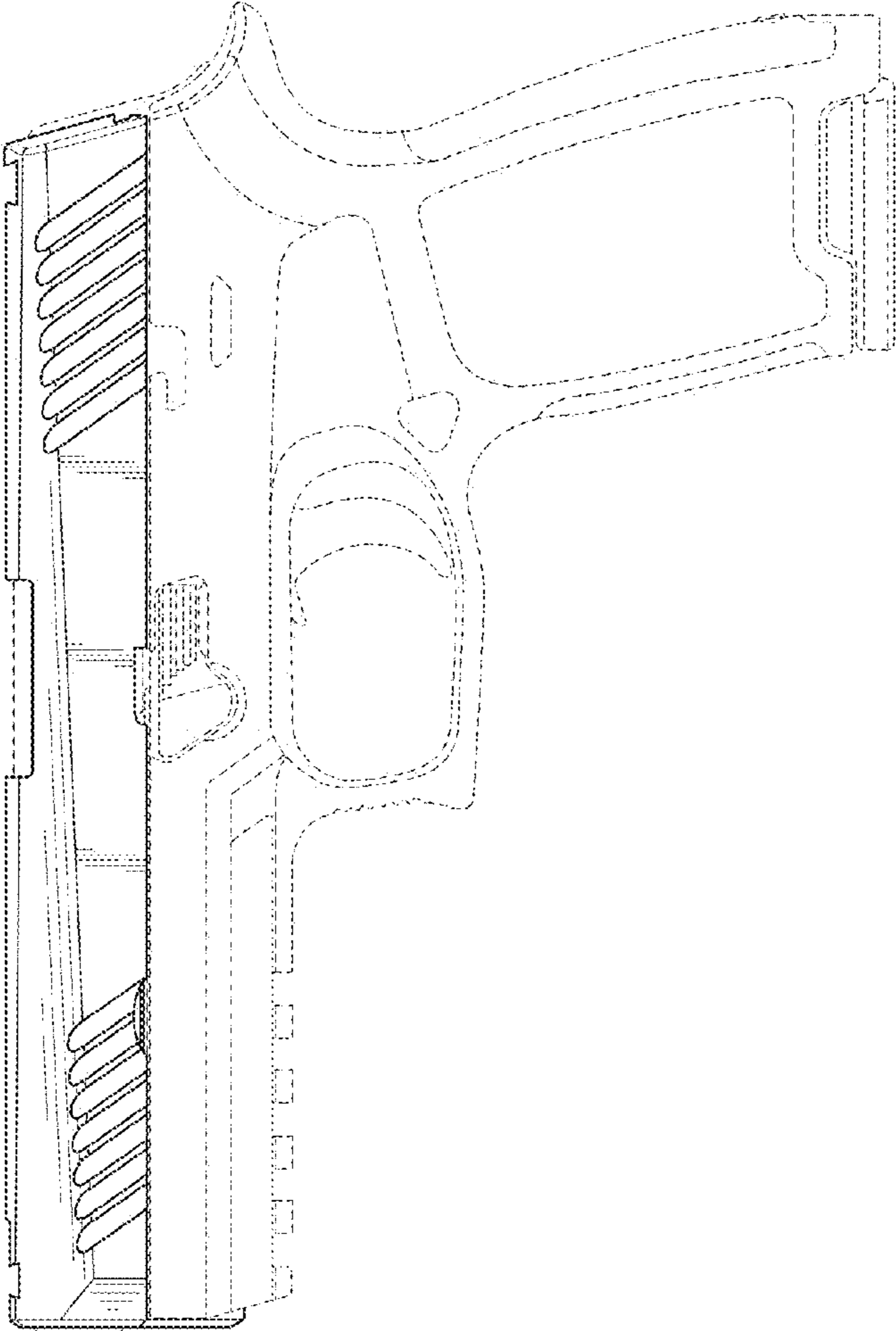


FIG. 4

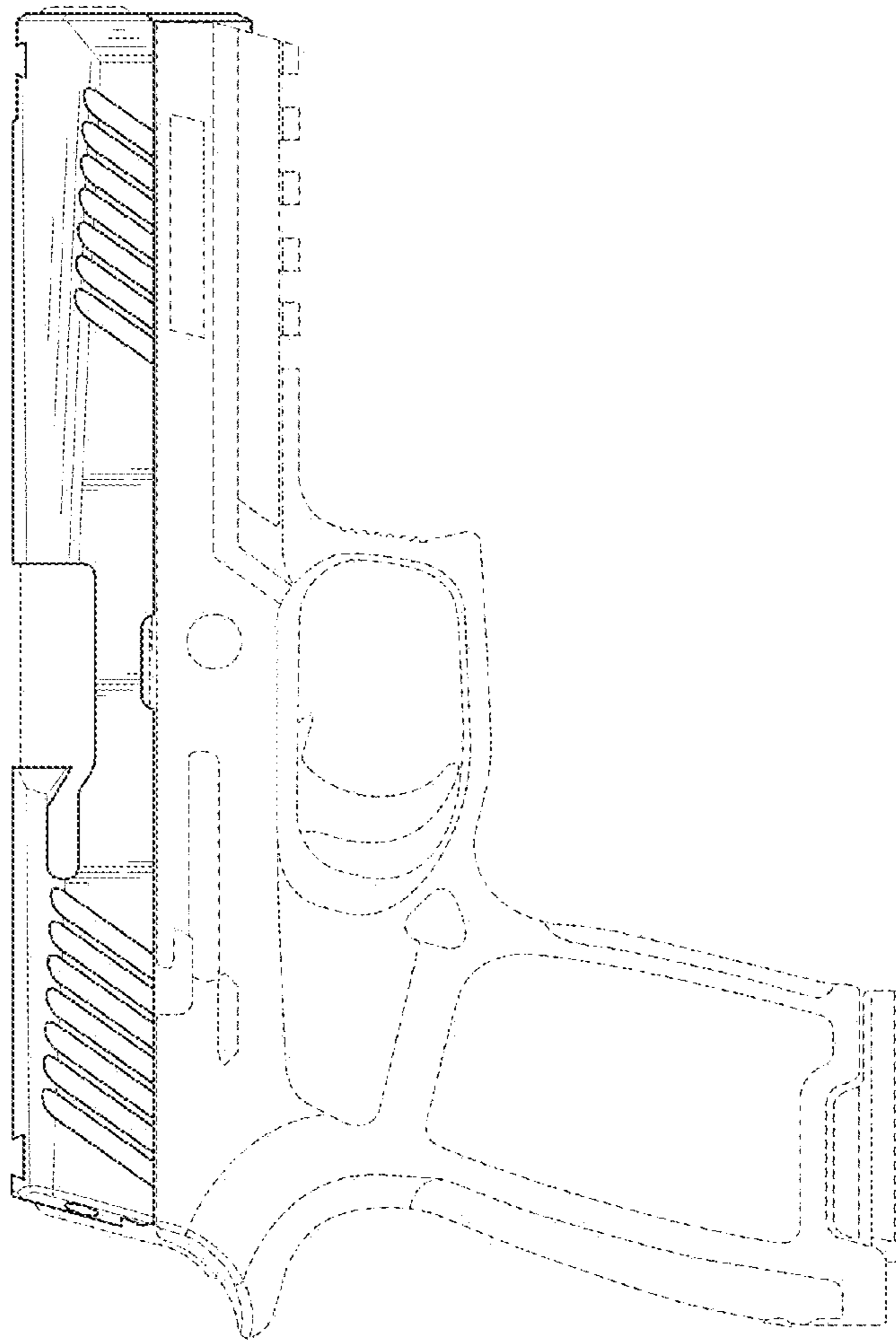


FIG. 5

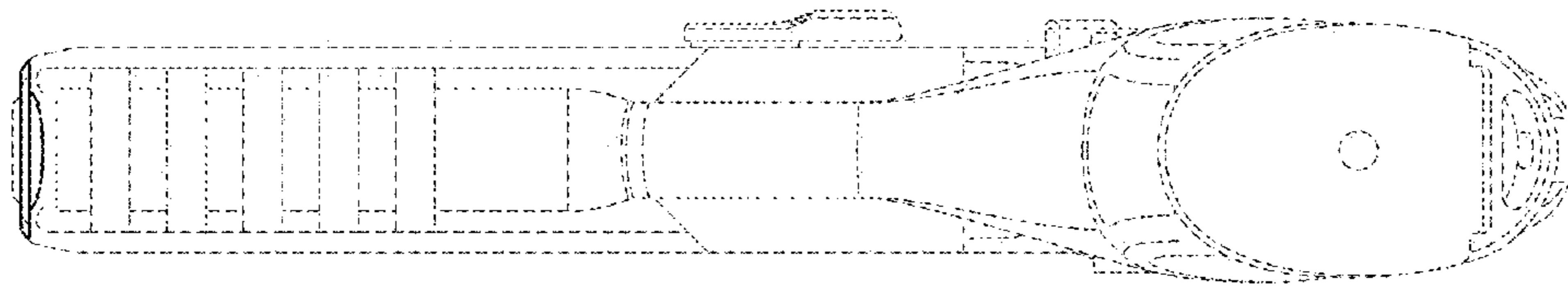


FIG. 7

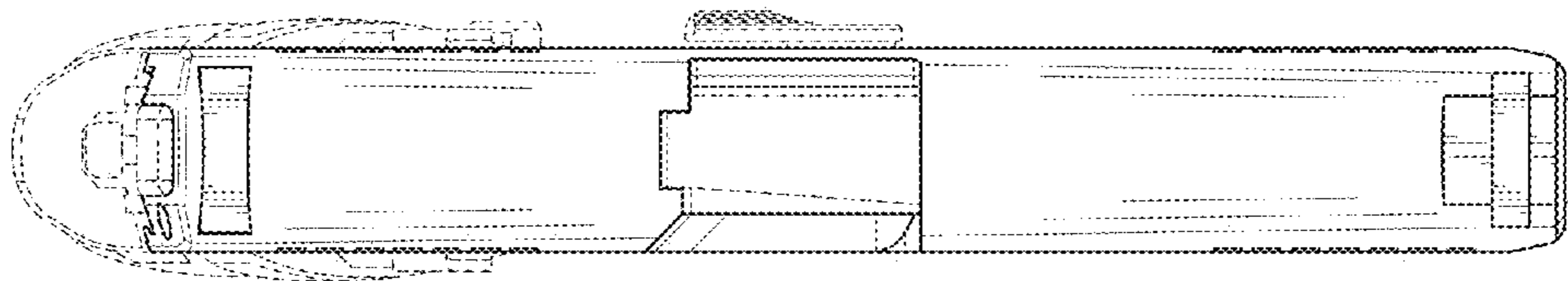


FIG. 6