

US00D758518S

(12) **United States Design Patent**
Daniel et al.

(10) **Patent No.:** **US D758,518 S**
(45) **Date of Patent:** **** Jun. 7, 2016**

- (54) **KEY SLOT RAIL COVER**
- (71) Applicant: **Daniel Defense, Inc.**, Black Creek, GA (US)
- (72) Inventors: **Marvin C. Daniel**, Pooler, GA (US);
Larry JR Jones, Monroe, GA (US)
- (73) Assignee: **DANIEL DEFENSE, INC.**, Black Creek, GA (US)
- (**) Term: **14 Years**
- (21) Appl. No.: **29/507,365**
- (22) Filed: **Oct. 27, 2014**
- (51) **LOC (10) Cl.** **22-01**
- (52) **U.S. Cl.**
USPC **D22/108**
- (58) **Field of Classification Search**
USPC D22/108
CPC F41C 23/16
See application file for complete search history.

- 2012/0085013 A1* 4/2012 Cahill F41A 35/02
42/96
- 2013/0326925 A1* 12/2013 Power F41C 23/16
42/71.01
- 2015/0128470 A1* 5/2015 Troy, Jr. F41C 23/16
42/90

* cited by examiner

Primary Examiner — Michael A Pratt

(74) *Attorney, Agent, or Firm* — Sutherland Asbill & Brennan LLP

(57) **CLAIM**

The ornamental design for a key slot rail cover, as shown and described.

DESCRIPTION

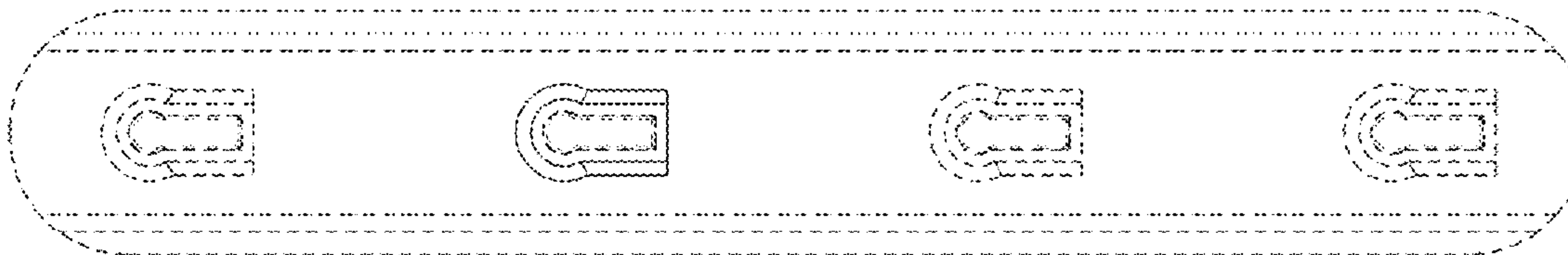
FIG. 1 is a left elevation view of the key slot rail cover for use with a firearm key slot rail system;
 FIG. 2 is a left side top rear perspective view of the key slot rail cover for use with a firearm key slot rail system;
 FIG. 3 is a left side top front perspective view of the key slot rail cover for use with a firearm key slot rail system;
 FIG. 4 is a right side top rear perspective view of the key slot rail cover for use with a firearm key slot rail system;
 FIG. 5 is a front right elevation view of the key slot rail cover for use with a firearm key slot rail system;
 FIG. 6 is a rear left elevation view of the key slot rail cover for use with a firearm key slot rail system; and,
 FIG. 7 is a top side elevation view of the key slot rail cover for use with a firearm key slot rail system.
 The broken lines shown in FIGS. 1-7 are included for the purpose of illustrating portions of the key slot rail cover that form no part of the claimed design.

1 Claim, 3 Drawing Sheets

(56) **References Cited**

U.S. PATENT DOCUMENTS

- 6,782,652 B1* 8/2004 Erickson F41A 35/02
42/124
- 2003/0106252 A1* 6/2003 Hines F41A 35/02
42/90
- 2009/0241397 A1* 10/2009 Fitzpatrick F41C 23/16
42/90
- 2010/0236124 A1* 9/2010 Troy F41A 35/02
42/90



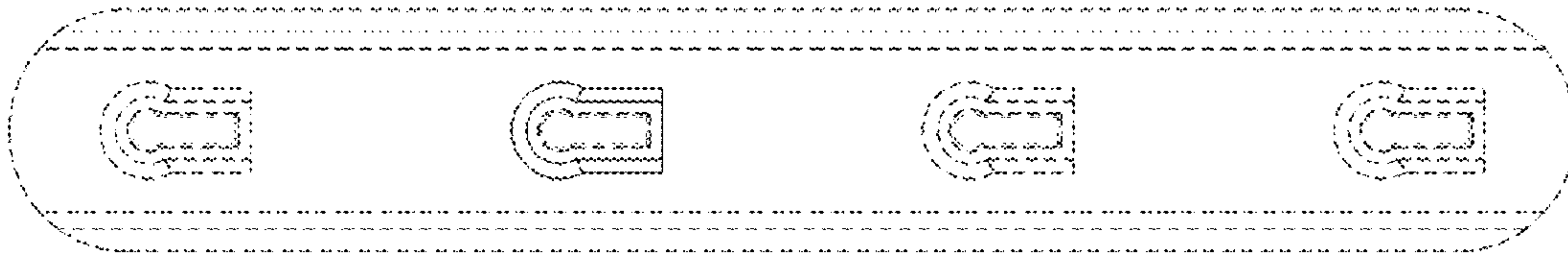


Fig. 1

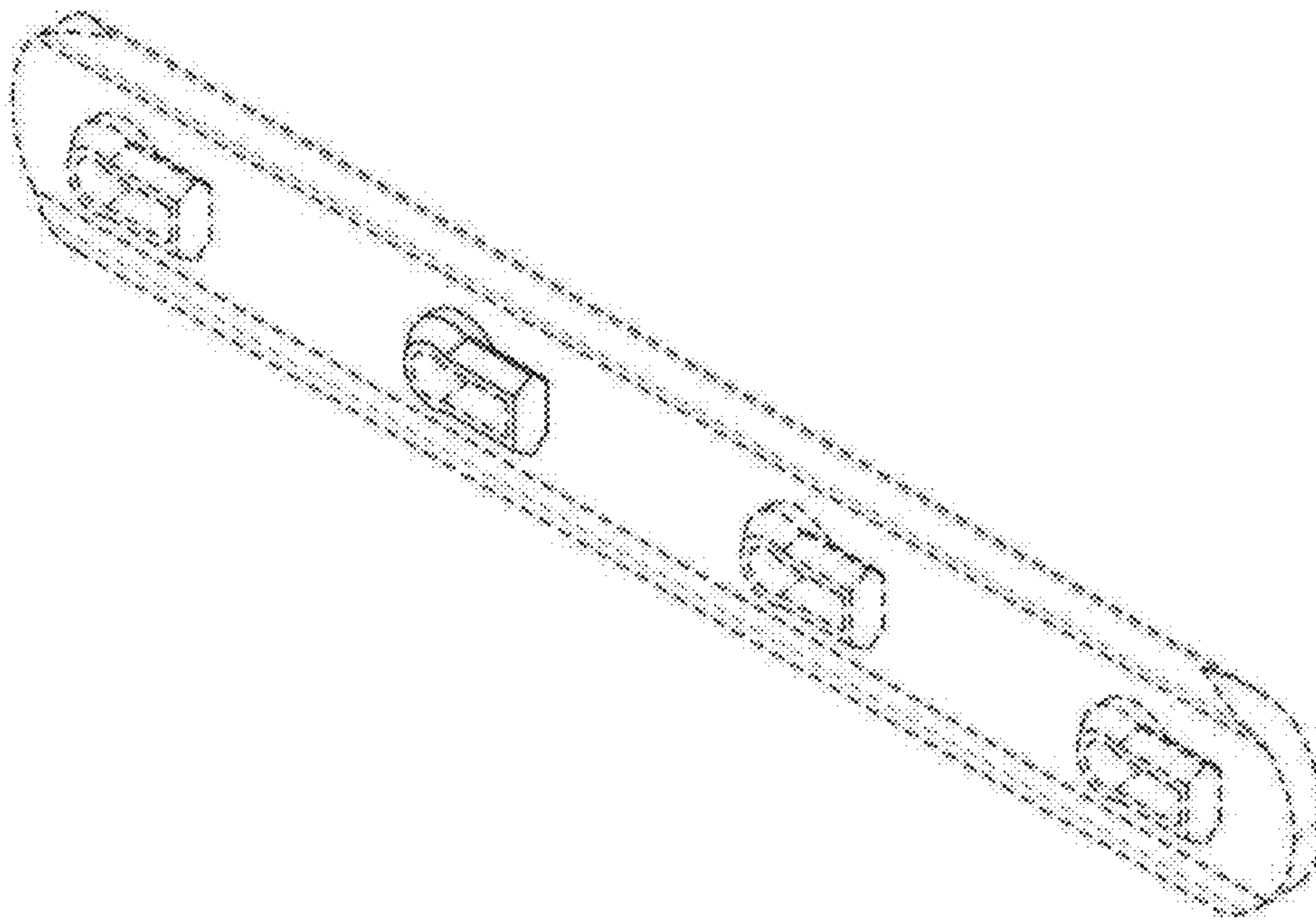


Fig. 2

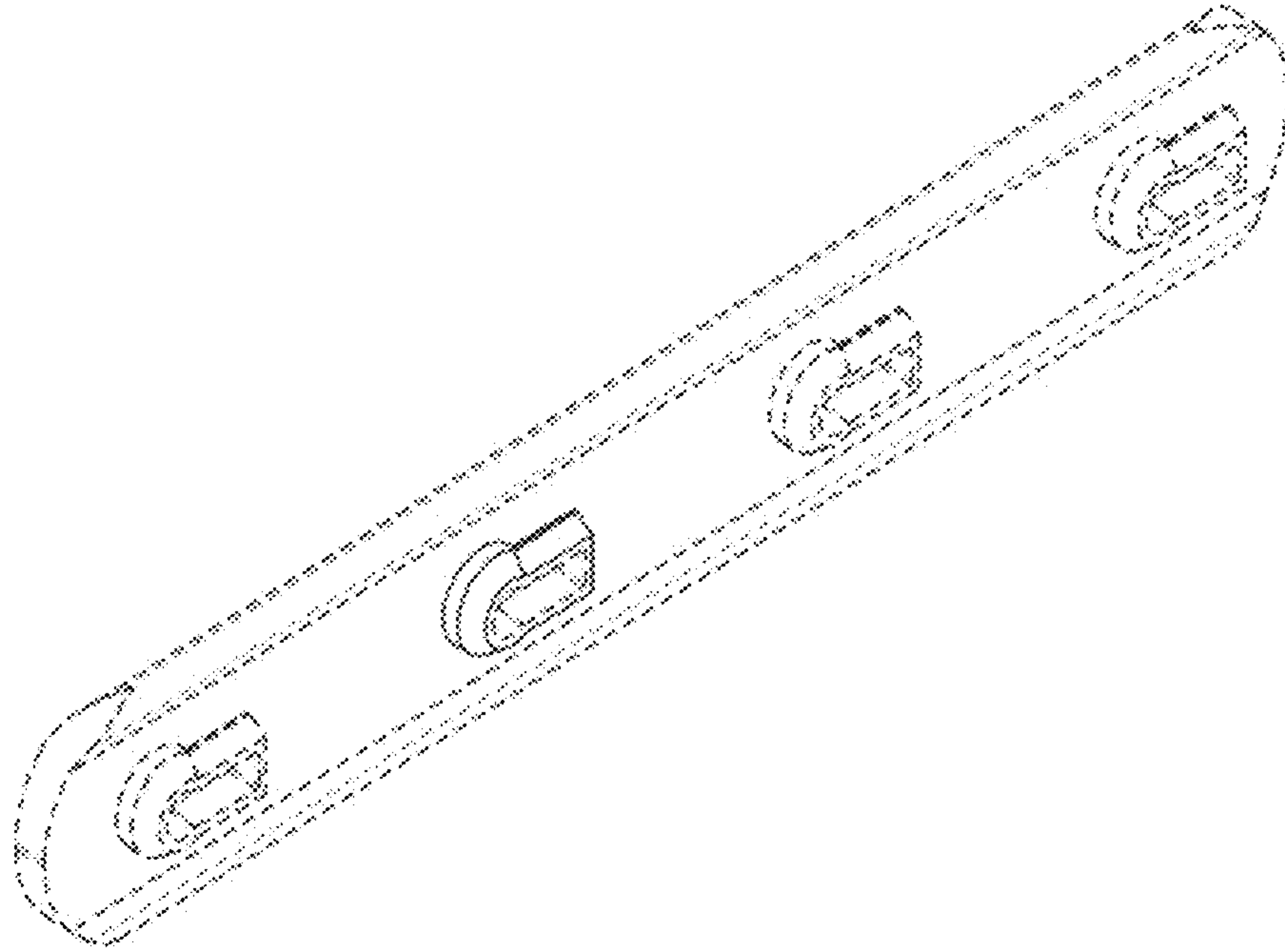


Fig. 3

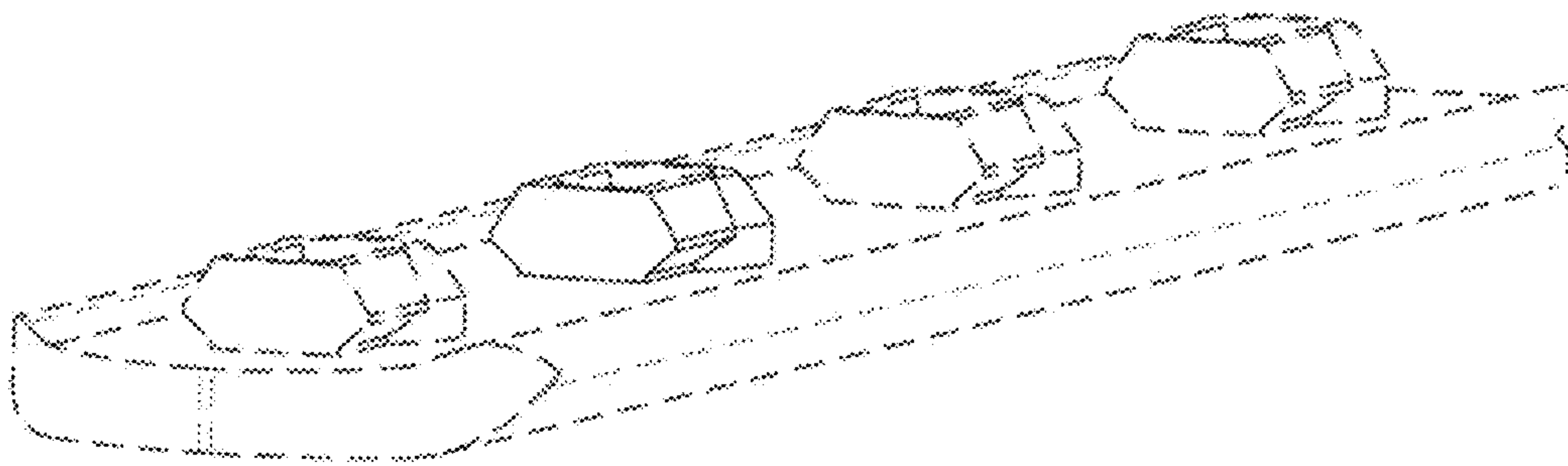


Fig. 4

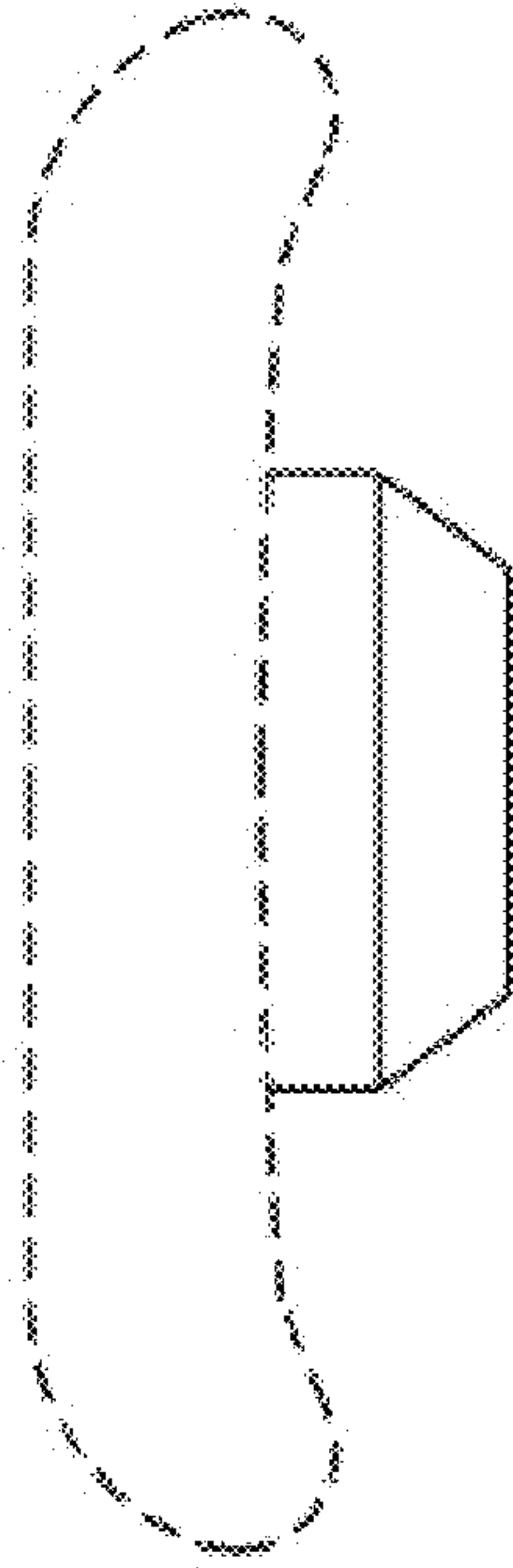


Fig. 5

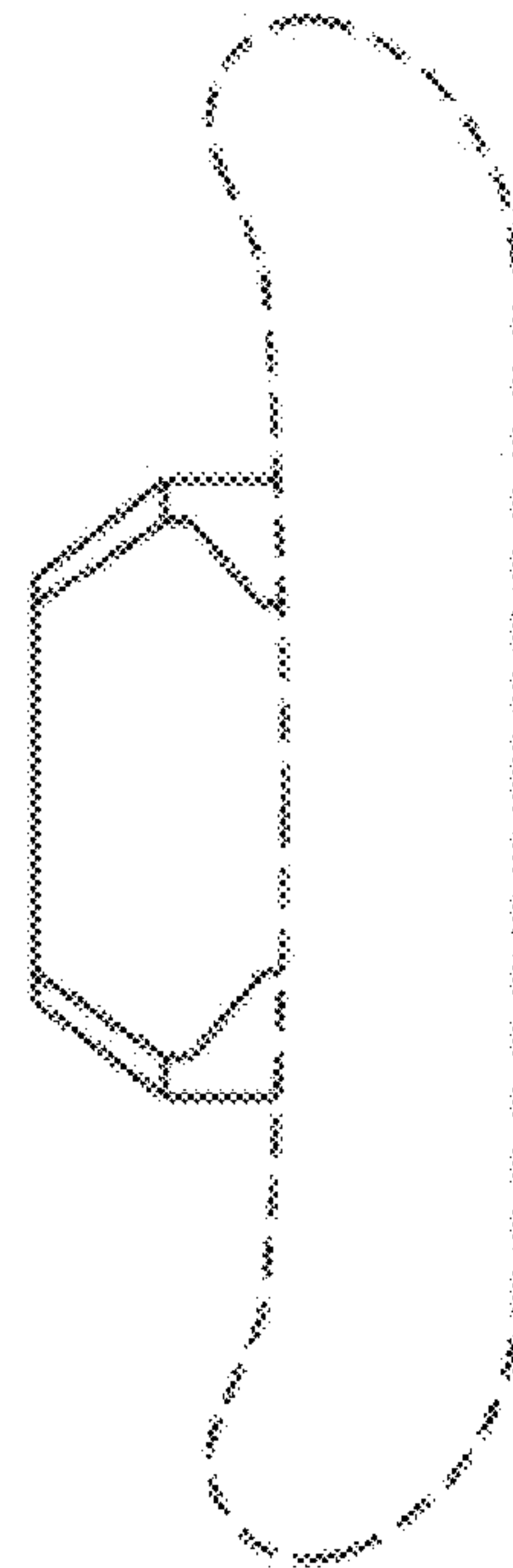


Fig. 6

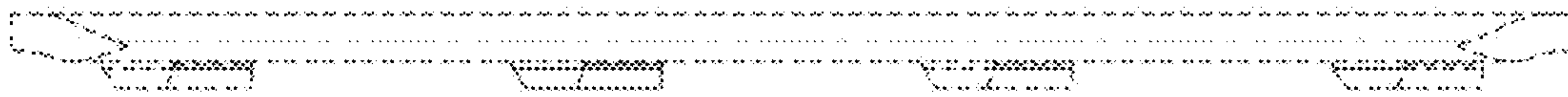


Fig. 7