



US00D758516S

(12) **United States Design Patent**
Radford

(10) **Patent No.:** **US D758,516 S**
(45) **Date of Patent:** **** Jun. 7, 2016**

(54) **PLAY EQUIPMENT**

(71) Applicant: **Honey-Bee Adventures Limited**,
Mapperley, Nottingham (GB)

(72) Inventor: **John Radford**, Woodborough (GB)

(73) Assignee: **Honey-Bee Adventures Limited**,
Mapperley, Nottingham (GB)

(**) Term: **14 Years**

(21) Appl. No.: **29/508,443**

(22) Filed: **Nov. 6, 2014**

(30) **Foreign Application Priority Data**

May 7, 2014 (EM) 002459719

(51) **LOC (10) CL.** **21-03**

(52) **U.S. CL.**
USPC **D21/814**

(58) **Field of Classification Search**

USPC D21/811, 814, 818-827
CPC A63B 9/00; A63G 21/00-21/22
See application file for complete search history.

(56) **References Cited**

U.S. PATENT DOCUMENTS

D218,455 S *	8/1970	Dattner	D21/826
D218,456 S *	8/1970	Dattner	D21/826
D218,460 S *	8/1970	Dattner	D21/826
D218,765 S *	9/1970	Dattner	D21/818
3,632,109 A	1/1972	Dattner		
3,666,266 A	5/1972	Noguchi		
D238,889 S *	2/1976	Holmquist	D21/818
D244,556 S *	5/1977	Burgess et al.	D21/826
4,369,965 A *	1/1983	Ahrens	482/35
4,629,182 A *	12/1986	Rader et al.	482/35
D328,939 S *	8/1992	Matsch	D21/826
5,167,595 A *	12/1992	Gleeson et al.	482/35
D340,498 S *	10/1993	Warren et al.	D21/826

D374,700 S *	10/1996	van Huystee	D21/818
5,618,246 A *	4/1997	Zheng	482/35
D393,685 S *	4/1998	Peritz	D21/814
D413,370 S *	8/1999	Kirn et al.	D21/814
D597,264 S *	7/2009	Hsieh	D30/160

FOREIGN PATENT DOCUMENTS

EM	002145250-0001	4/2012
EM	002145250-0003	4/2012
GB	1486243	9/1977

OTHER PUBLICATIONS

Gametime, a Playcore company website: <http://www.gametime.com/product/Honeycomb-Set-of-6-38008/> Honeycomb set of 6, model No. 38008 GameTime® 150 PlayCore Drive SE Fort Payne, Alabama 35967.

* cited by examiner

Primary Examiner — Mitchell Siegel

(74) *Attorney, Agent, or Firm* — James Marc Leas

(57) **CLAIM**

The ornamental design for play equipment, as shown and described.

DESCRIPTION

FIG. 1 is a top, front, left side perspective view of a play equipment;
FIG. 2 is a left side view thereof;
FIG. 3 is a right side view thereof;
FIG. 4 is a top plan view thereof;
FIG. 5 is a bottom plan view thereof;
FIG. 6 is a front view thereof;
FIG. 7 is a reduced top, front, right side perspective view thereof;
FIG. 8 is a reduced top, front, left side perspective view thereof;
FIG. 9 is a perspective view shown in an alternate position; and,
FIG. 10 is a perspective view of FIG. 9.
The broken line showing is included for the purpose of illustrating and forms no part of the claimed design.

1 Claim, 6 Drawing Sheets

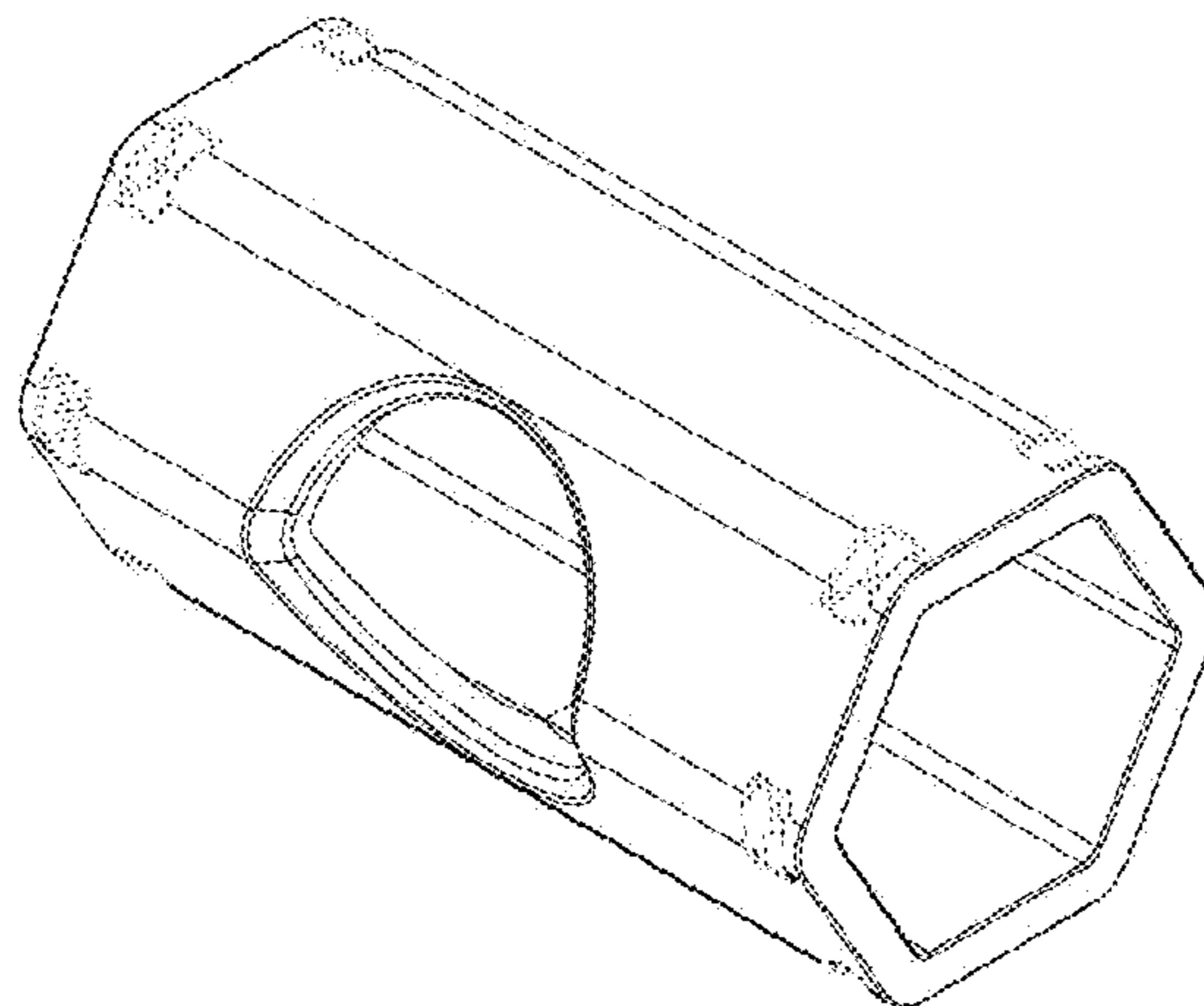


FIGURE 1

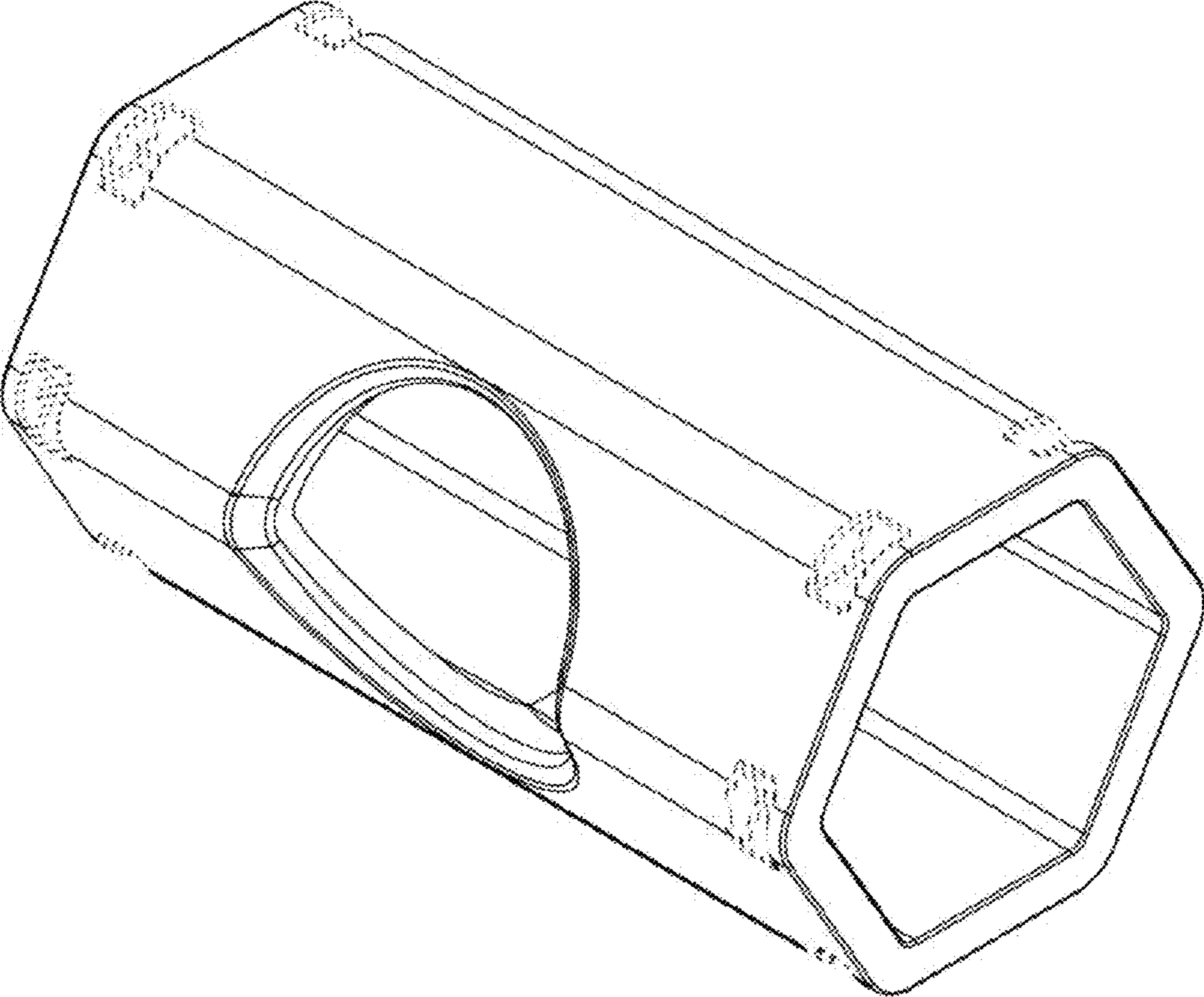


FIGURE 2

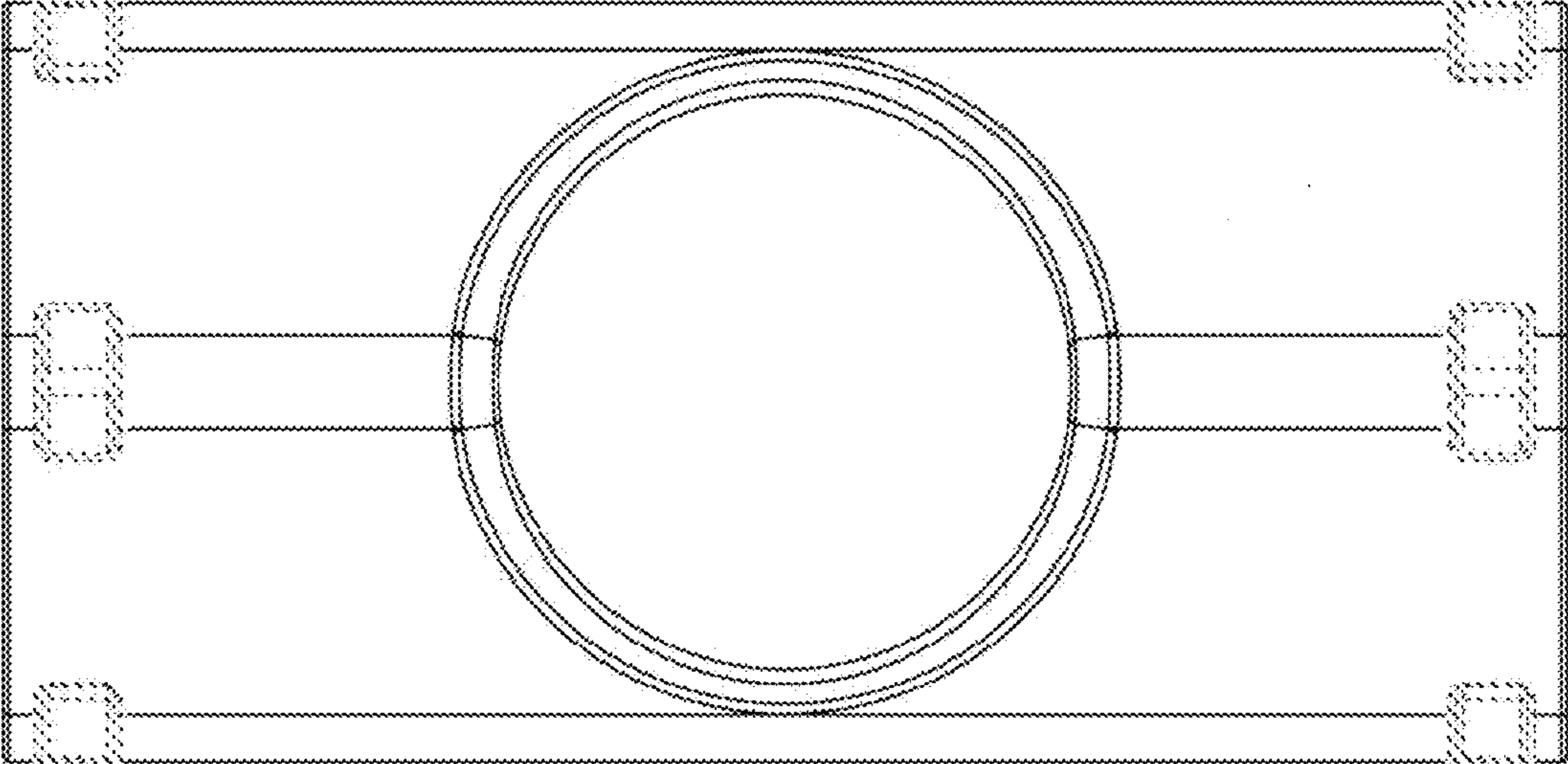


FIGURE 3

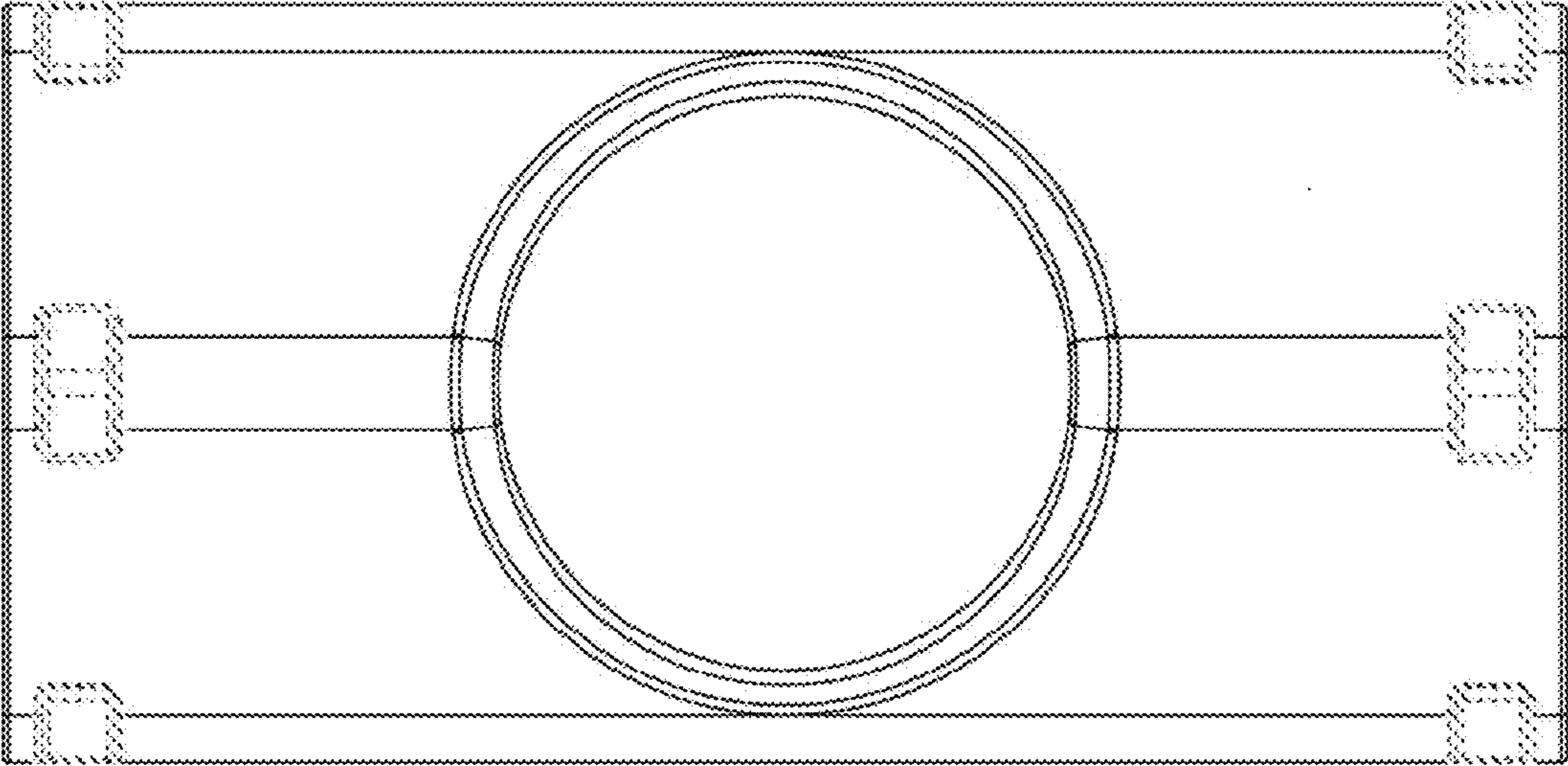


FIGURE 4

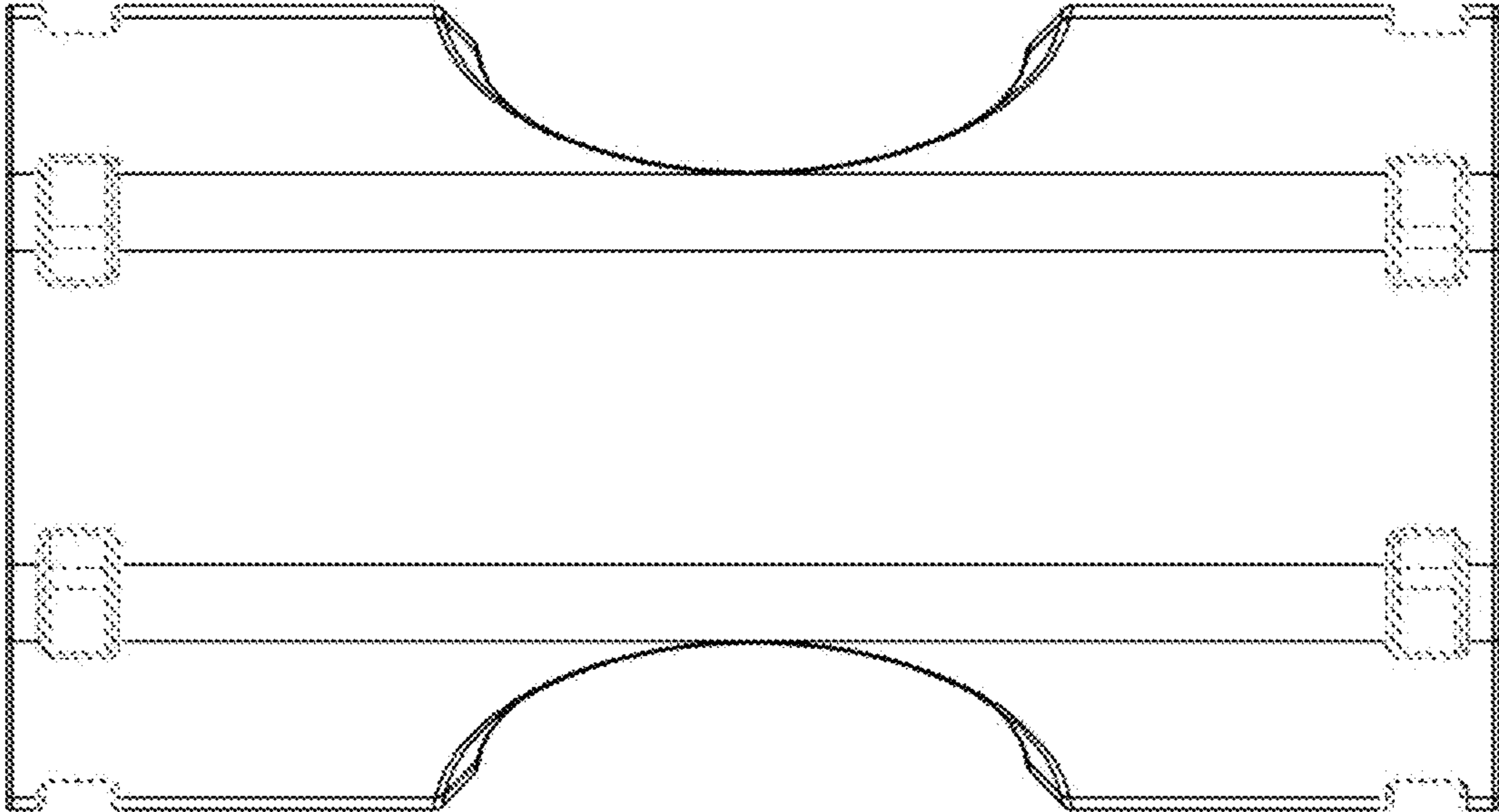


FIGURE 5

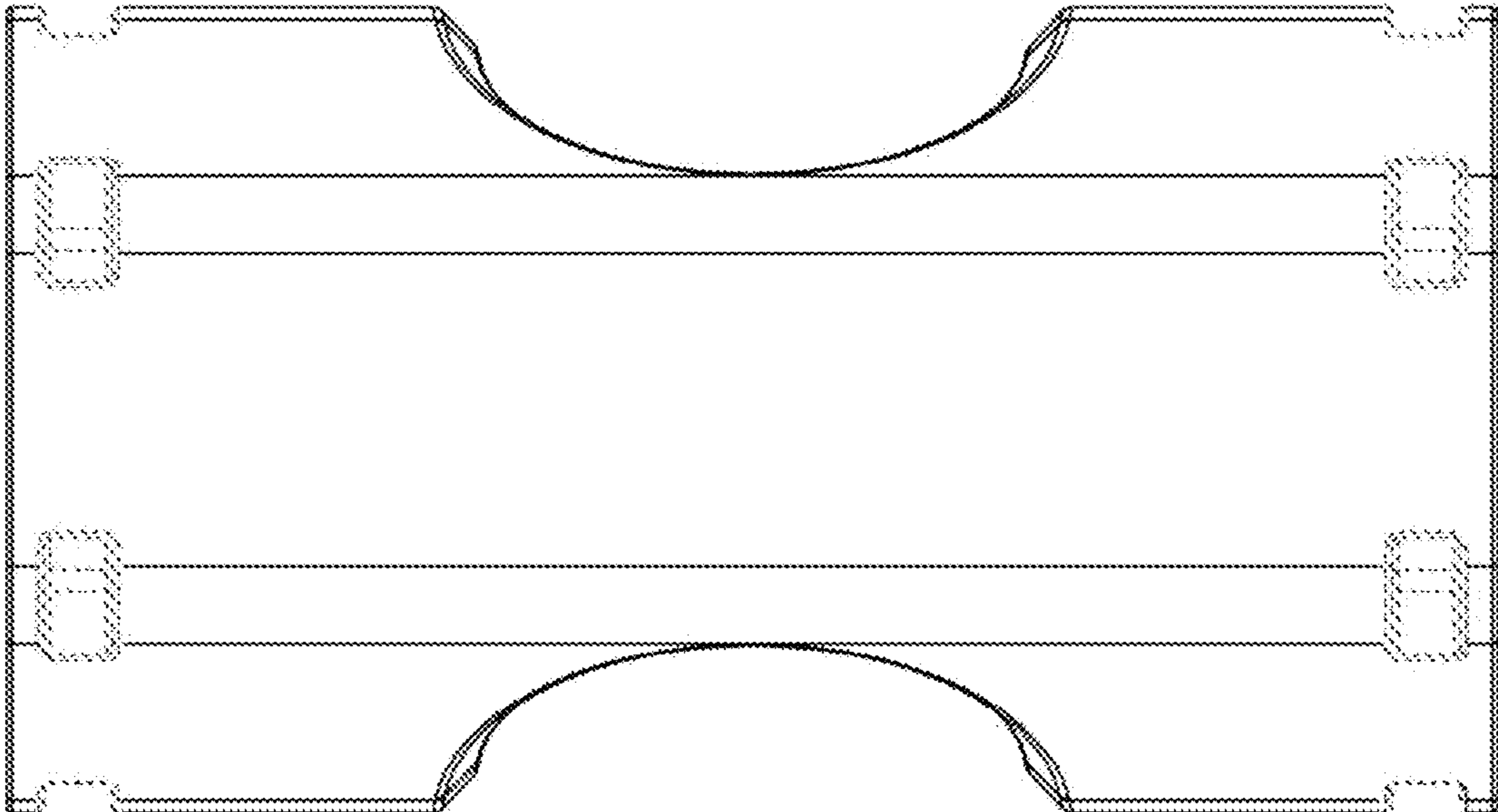


FIGURE 6

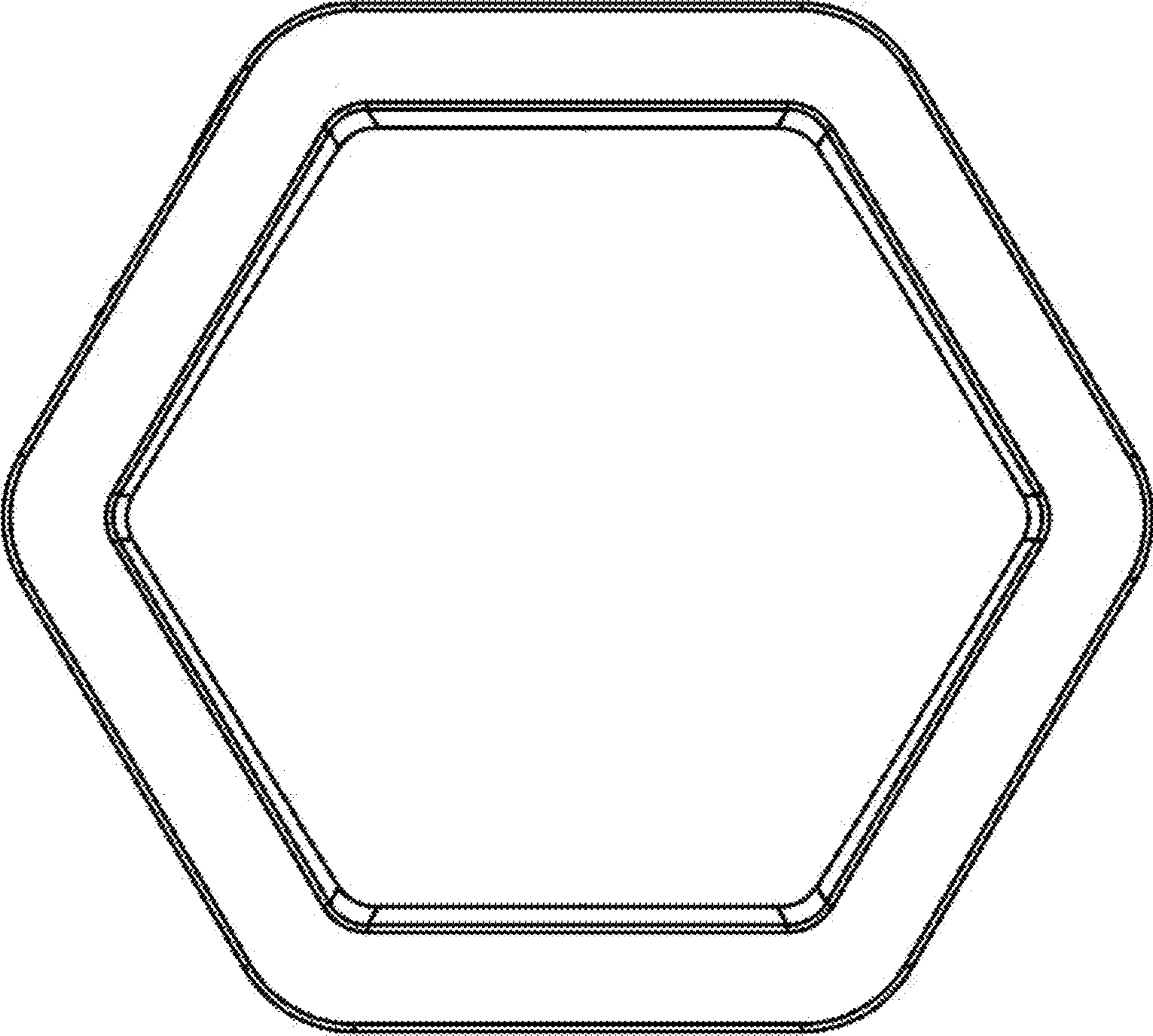


FIGURE 7

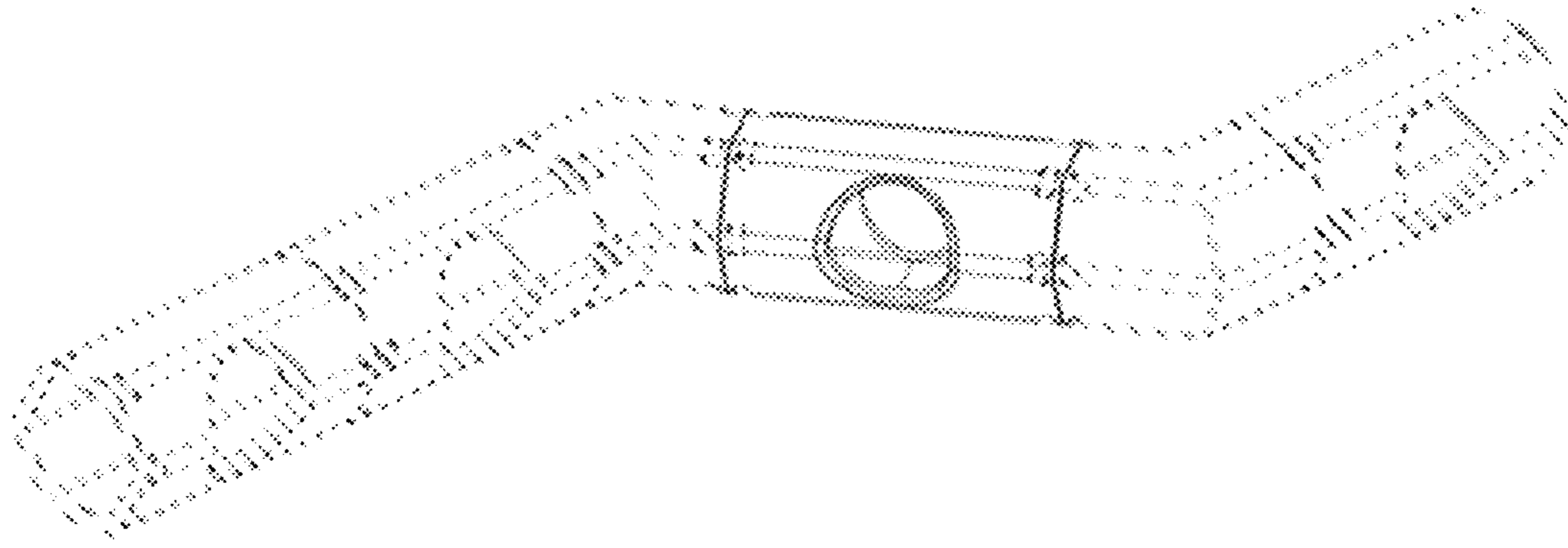


FIGURE 8

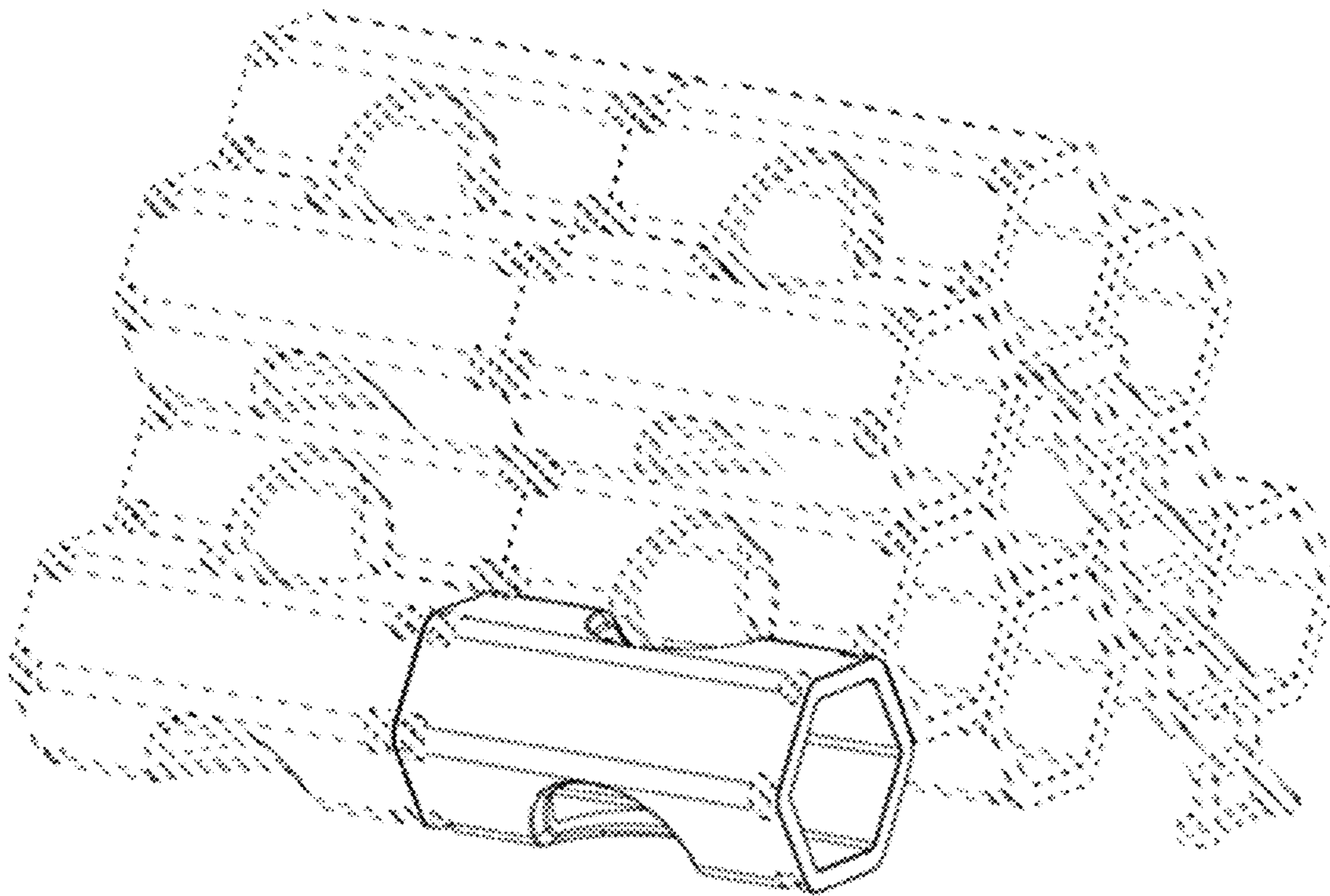


FIGURE 9

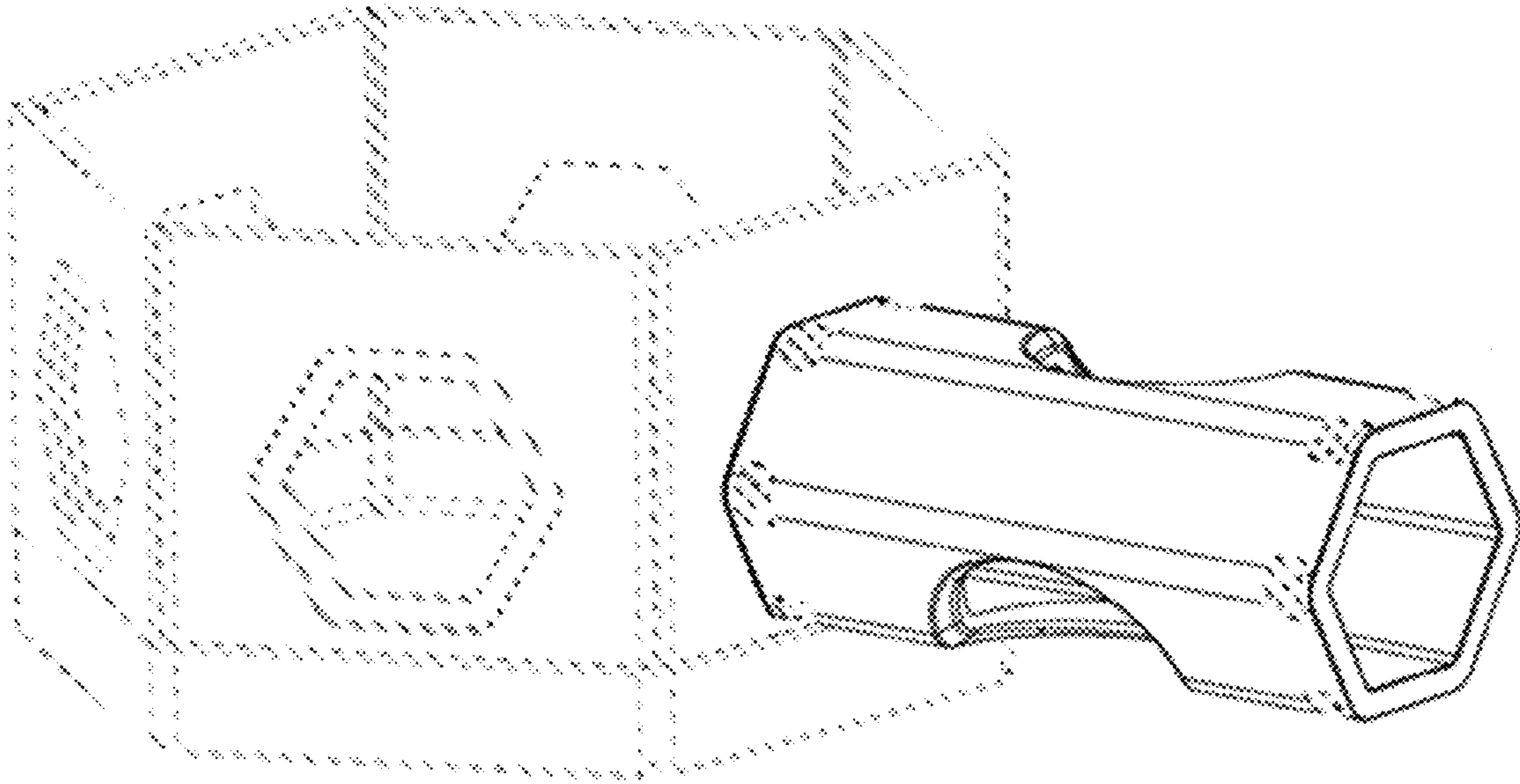


FIGURE 10

