



US00D758515S

(12) **United States Design Patent**
Tsai

(10) **Patent No.:** **US D758,515 S**
(45) **Date of Patent:** **** Jun. 7, 2016**

- (54) **TRAMPOLINE**
- (71) Applicant: **Guang'an Zeng**, Shenzhen (CN)
- (72) Inventor: **Mo-Tsan Tsai**, Shenzhen (CN)
- (73) Assignee: **GUANG'AN ZENG**, Shenzhen (CN)
- (**) Term: **14 Years**
- (21) Appl. No.: **29/513,991**
- (22) Filed: **Jan. 7, 2015**
- (51) **LOC (10) Cl.** **21-02**
- (52) **U.S. Cl.**
USPC **D21/797**
- (58) **Field of Classification Search**
USPC D21/797, 668, 669, 834, 826; D6/716;
482/27, 35, 29, 112, 33, 110, 148, 28,
482/77, 147, 51; 297/452.18; 135/96, 117;
D30/112; D25/1, 16, 22, 56; 446/220;
473/469; 182/139, 224; 273/395, 402
CPC A63B 5/11; A63B 21/023; A63B 2208/12;
A63B 71/022; A63B 2210/50
See application file for complete search history.

(56) **References Cited**

U.S. PATENT DOCUMENTS

- 3,195,890 A * 7/1965 Salls A63B 25/08
482/128
- 3,256,021 A * 6/1966 Nissen A63B 5/11
182/139
- 3,765,673 A * 10/1973 Daw A63B 5/11
482/26
- D270,557 S * 9/1983 Williams D21/797
- 4,477,070 A * 10/1984 Appelbaum A63B 69/0035
482/28
- 4,489,933 A * 12/1984 Fisher A63B 5/11
482/147
- 4,598,905 A * 7/1986 Vrana A63B 5/11
482/27
- 4,730,826 A * 3/1988 Sudmeier A63B 5/11
482/28
- D304,850 S * 11/1989 Chambers D21/669
- D325,951 S * 5/1992 Johnson D21/669
- D362,478 S * 9/1995 Wilkinson D21/797
- D363,325 S * 10/1995 Wilkinson D21/797
- D384,115 S * 9/1997 Wilkinson D21/668
- 6,001,045 A * 12/1999 Gift A63B 5/11
482/27

- 6,053,845 A * 4/2000 Publicover A63B 5/11
482/27
- D496,422 S * 9/2004 Rota D21/780
- D570,947 S * 6/2008 Horne D21/797
- 8,246,521 B2 * 8/2012 Alexander A63B 5/00
482/142
- D680,609 S * 4/2013 Publicover D21/797
- D712,497 S * 9/2014 Yang D21/797
- D716,574 S * 11/2014 Akkad D6/368
- D720,550 S * 1/2015 Akkad D6/368
- 9,033,853 B1 * 5/2015 McMurtrey A63B 5/00
482/112
- 2002/0137598 A1 * 9/2002 Publicover A63B 5/11
482/27
- 2002/0160884 A1 * 10/2002 Hall A63B 5/11
482/23
- 2005/0113213 A1 * 5/2005 Alexander A63B 5/11
482/27
- 2006/0172861 A1 * 8/2006 Wang A63B 5/11
482/27
- 2006/0223676 A1 * 10/2006 Rote A63B 5/11
482/27
- 2007/0004559 A1 * 1/2007 Alexander A63B 5/11
482/27
- 2008/0314427 A1 * 12/2008 Lai A63H 33/008
135/96
- 2009/0280961 A1 * 11/2009 Ikegami A63B 5/11
482/27
- 2011/0021322 A1 * 1/2011 Schaffer A63B 5/11
482/29

(Continued)

Primary Examiner — Robert M Spear
Assistant Examiner — Ryan Harvey
(74) *Attorney, Agent, or Firm* — Alston & Bird LLP

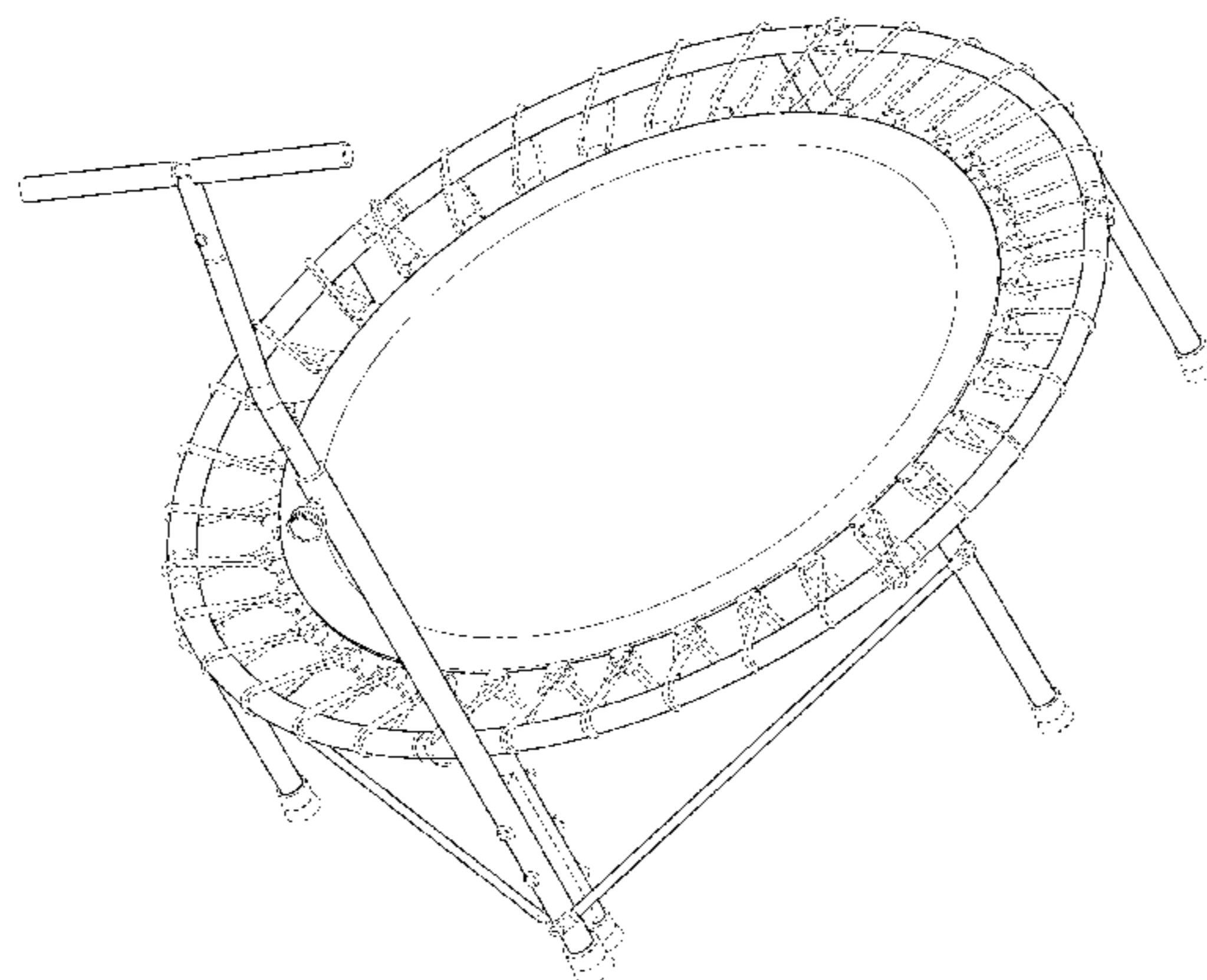
(57) **CLAIM**

I claim the ornamental design for a trampoline, as shown and described.

DESCRIPTION

FIG. 1 is a perspective view of a trampoline showing the new design;
FIG. 2 is a front elevation view thereof;
FIG. 3 is a rear elevation view thereof;
FIG. 4 is a left side elevation view thereof;
FIG. 5 is a right side elevation view thereof;
FIG. 6 is a top plan view thereof; and,
FIG. 7 is a bottom plan view thereof.
Broken lines are directed to unclaimed features. The broken lines form no part of the claimed design.

1 Claim, 7 Drawing Sheets



(56)

References Cited

U.S. PATENT DOCUMENTS

2013/0210590	A1*	8/2013	Publicover	A63B 5/11	482/110
2014/0228176	A1*	8/2014	Miller	A63B 5/11	482/27
2014/0315691	A1*	10/2014	Turner	A63B 26/003	482/27
2014/0336005	A1*	11/2014	Miller	A63B 5/11	482/27
2014/0342880	A1*	11/2014	Nelson	A63B 5/11	482/27
2015/0076888	A1*	3/2015	Xu	A63G 9/14	297/452.18
2015/0080186	A1*	3/2015	Carlin	A63B 5/11	482/27
2015/0157889	A1*	6/2015	Miller	A63B 5/11	482/27

* cited by examiner

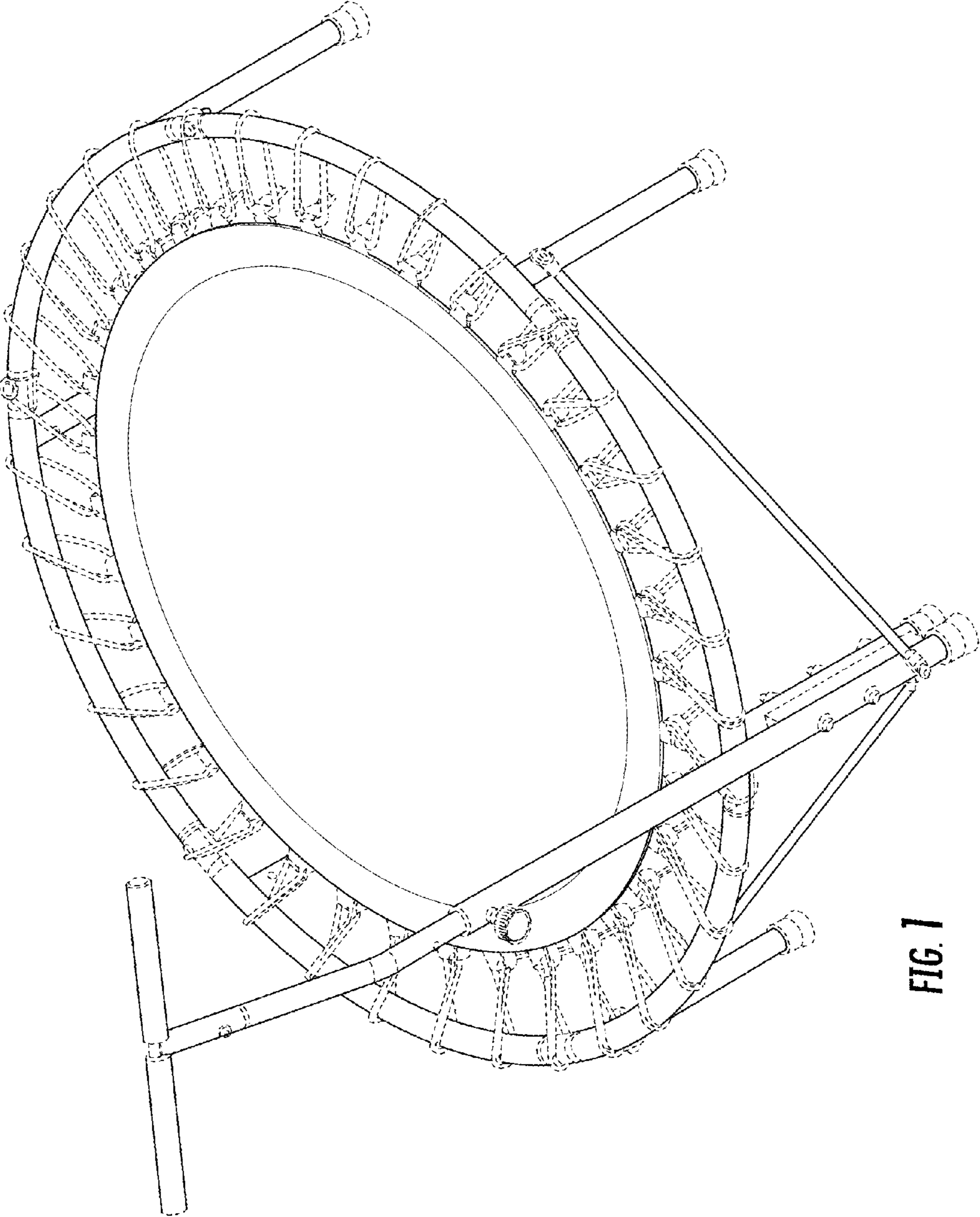


FIG. 1

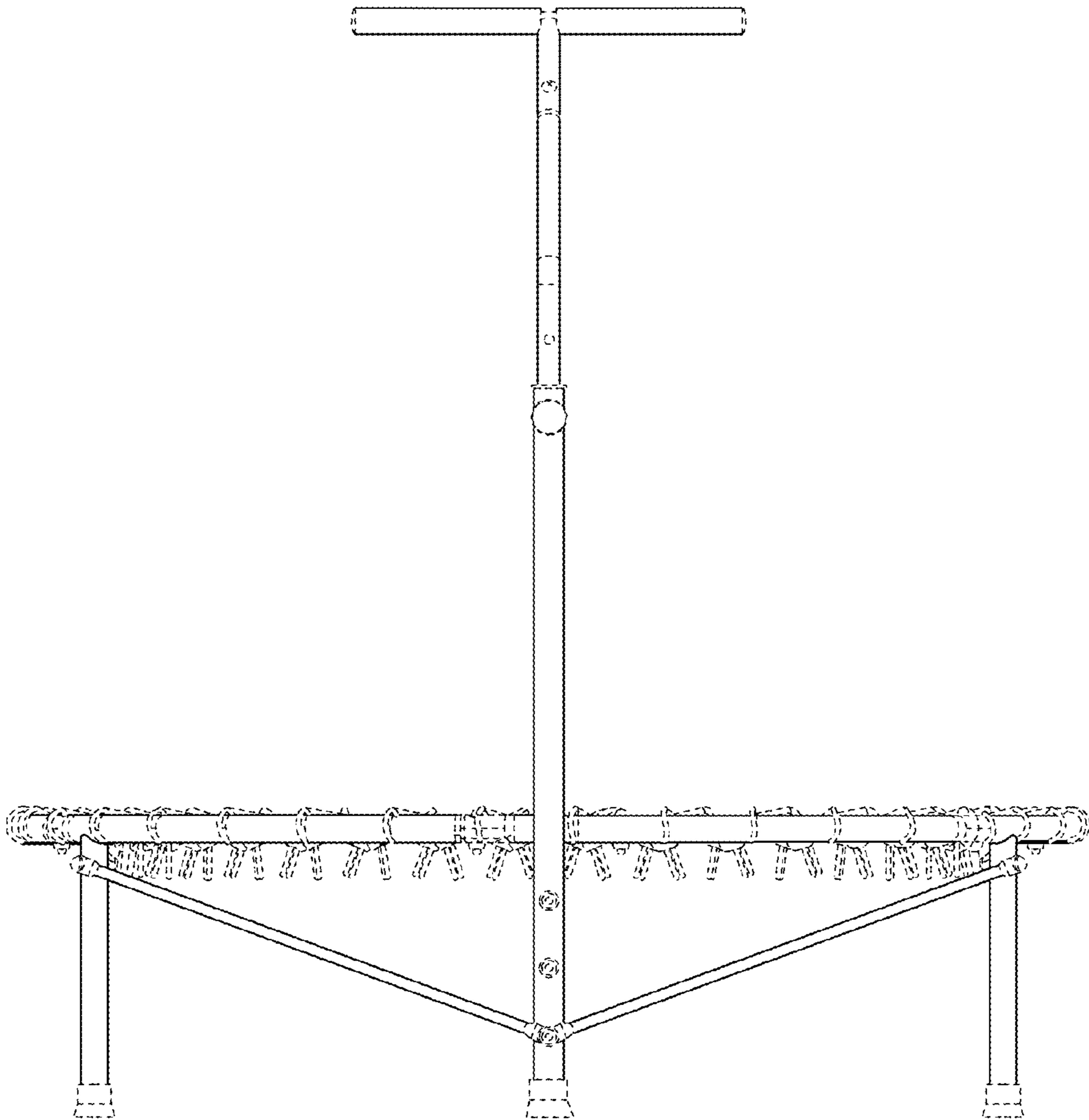


FIG. 2

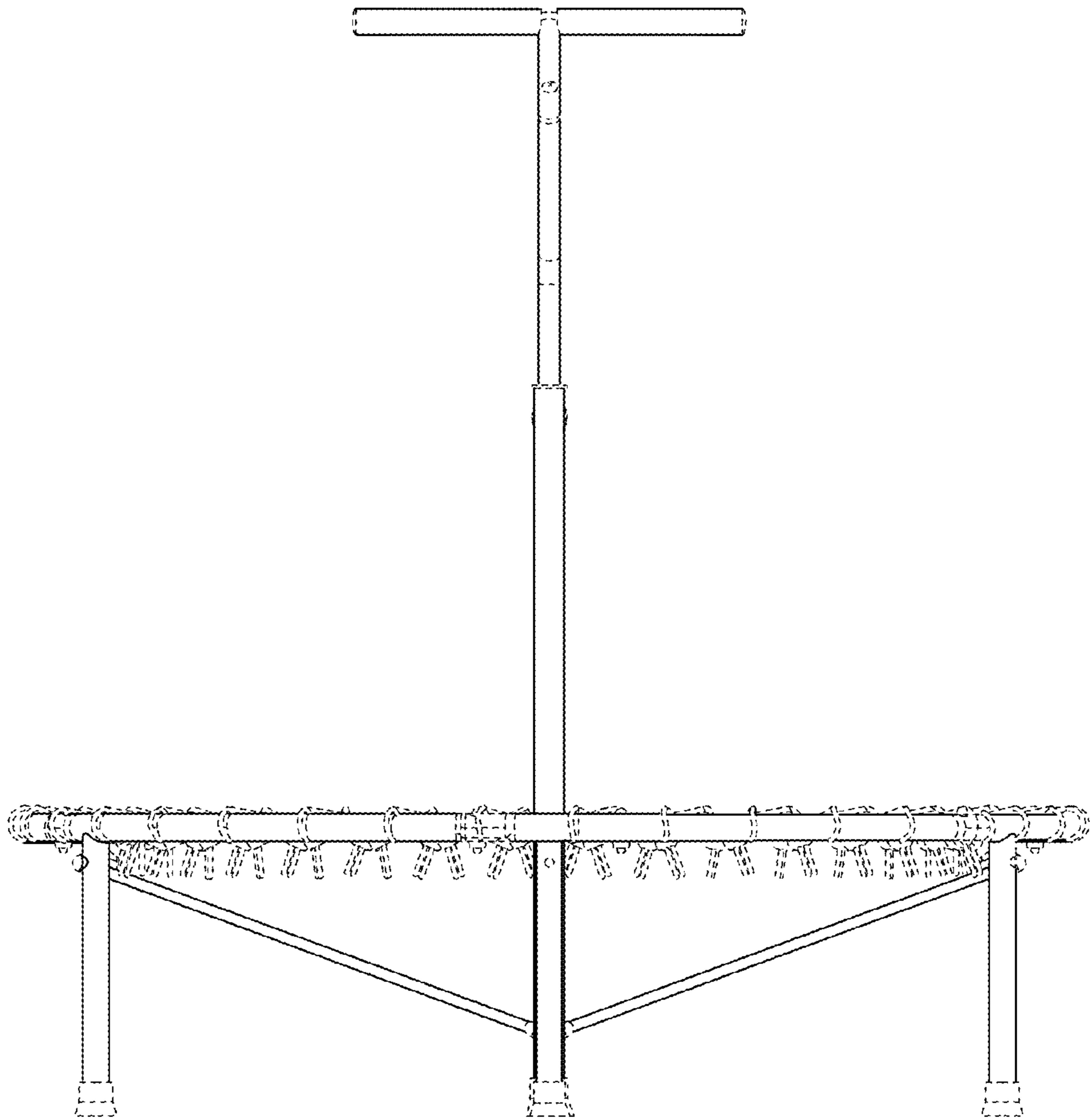


FIG. 3

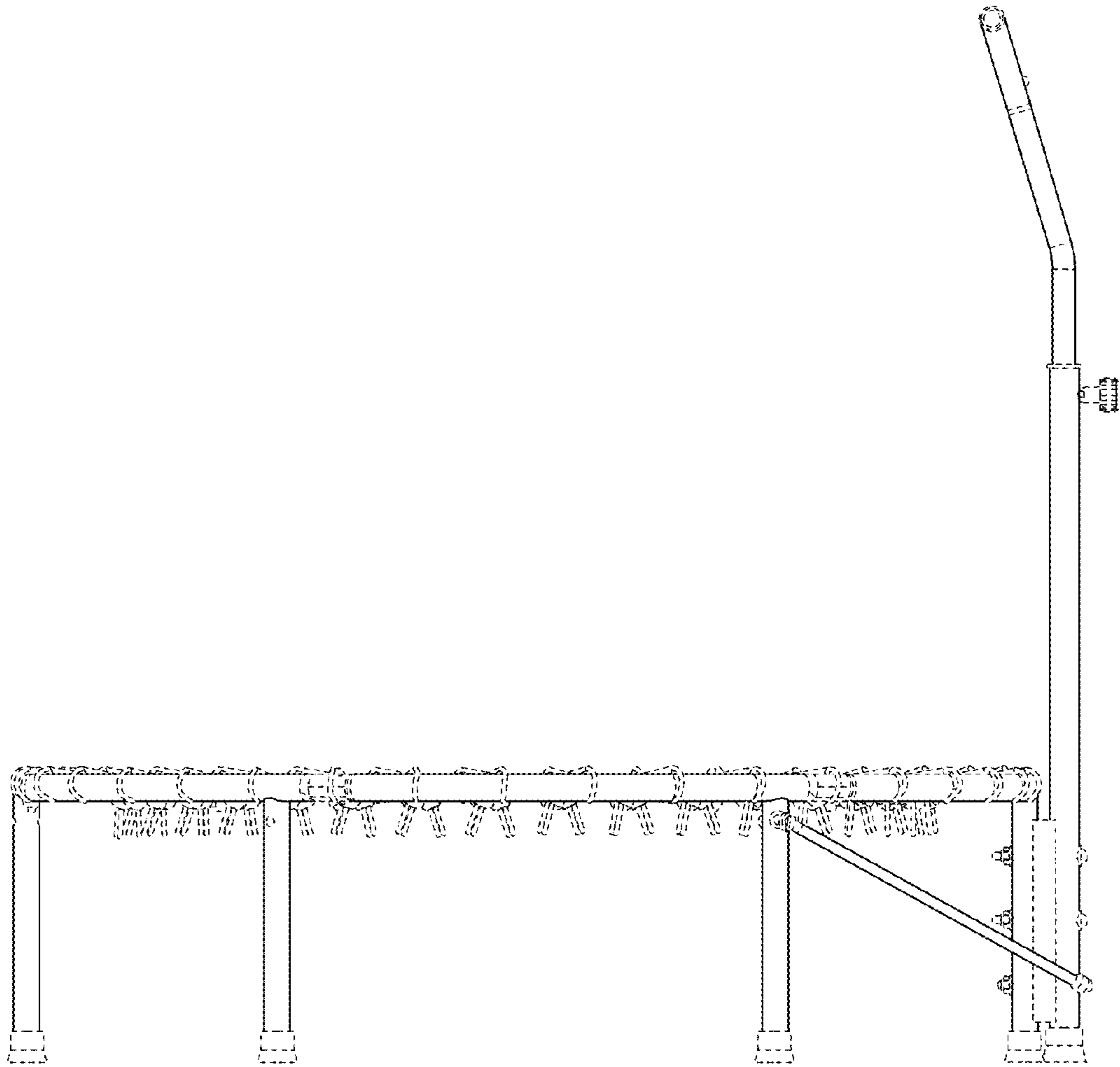


FIG. 4

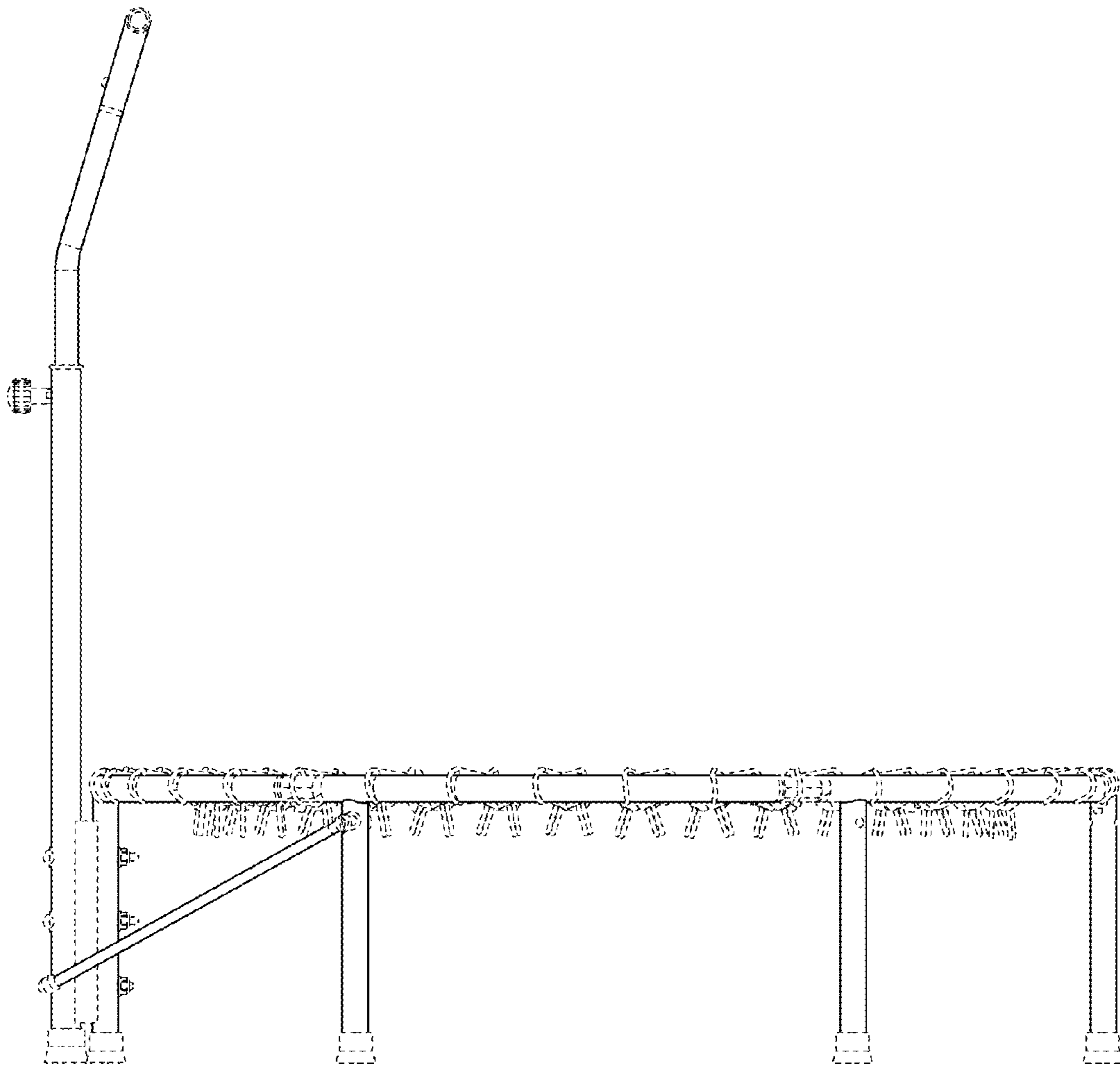


FIG. 5

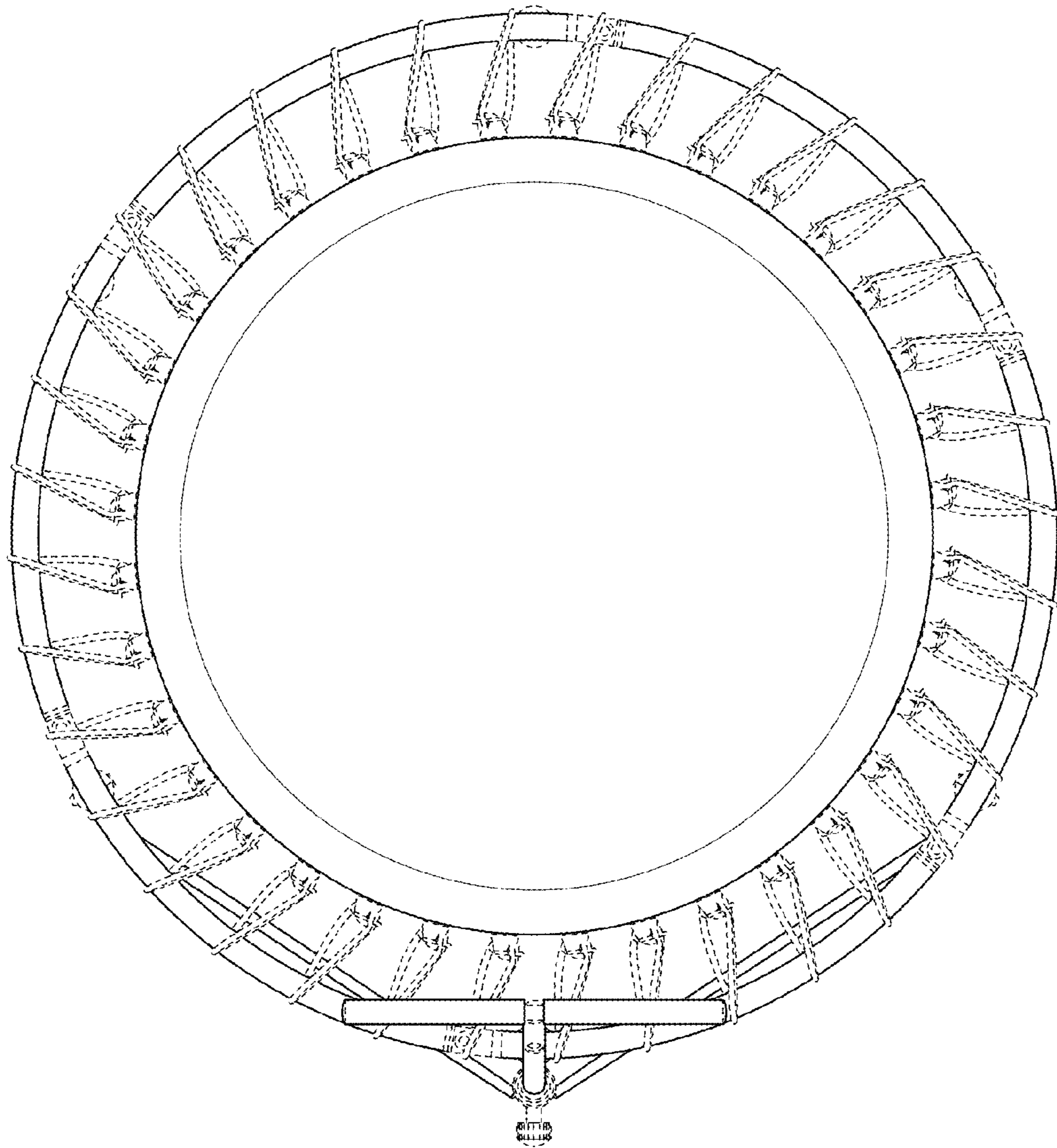


FIG. 6

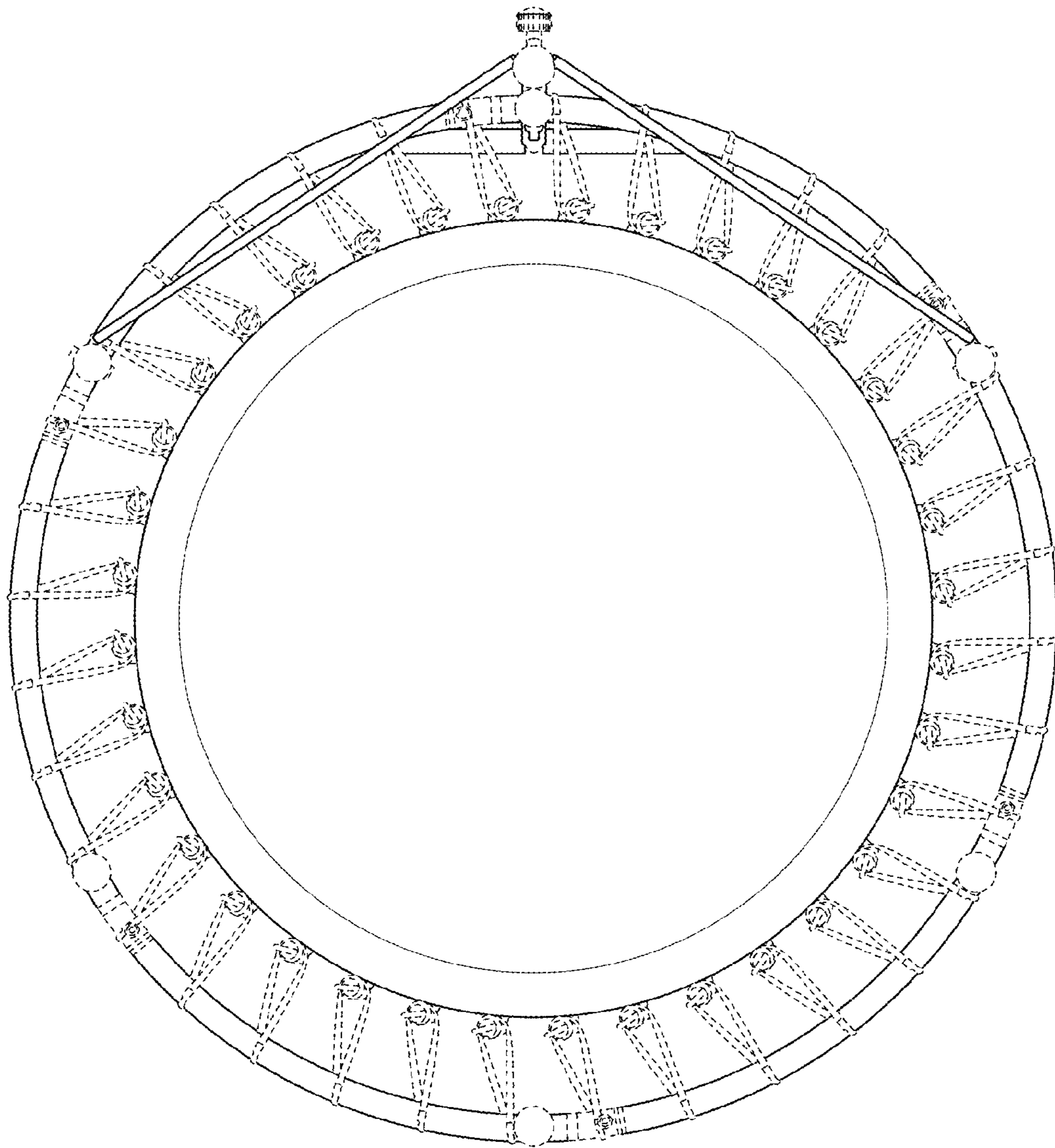


FIG. 7