



US00D758514S

(12) **United States Design Patent**
Mandel et al.

(10) **Patent No.:** **US D758,514 S**
(45) **Date of Patent:** **** Jun. 7, 2016**

- (54) **GOLF CLUB FERRULE HAVING TRANSPARENT WINDOW**
- (71) Applicant: **VATTACA, LLC**, Addison, TX (US)
- (72) Inventors: **Ross Mandel**, Plano, TX (US); **Eric M. Smith**, Carrollton, TX (US); **Christian Bauer**, Frisco, TX (US)
- (73) Assignee: **Vattaca, LLC**, Addison, TX (US)
- (**) Term: **14 Years**
- (21) Appl. No.: **29/523,513**
- (22) Filed: **Apr. 10, 2015**
- (51) **LOC (10) Cl.** **21-02**
- (52) **U.S. Cl.**
USPC **D21/759**
- (58) **Field of Classification Search**
USPC D21/747-751, 753, 759
CPC .. A63B 53/00; A63B 53/047; A63B 53/0475;
A63B 23/0445; A63B 2053/0479; A63B 53/02
See application file for complete search history.

- (56) **References Cited**
U.S. PATENT DOCUMENTS
- 3,455,301 A * 7/1969 Clark A61F 5/41
600/41
- 5,362,311 A * 11/1994 Amino A61F 2/3609
623/22.45
- 5,688,188 A * 11/1997 Chappell A63B 53/02
473/309
- 5,711,721 A * 1/1998 Johnson A63B 53/02
473/308
- D393,678 S * 4/1998 Jones D21/759
- D401,653 S * 11/1998 Burrows D21/753
- D401,654 S * 11/1998 Burrows D21/753
- D401,655 S * 11/1998 Burrows D21/753
- D401,656 S * 11/1998 Burrows D21/753

- 5,910,056 A * 6/1999 Nagamoto A63B 53/02
473/305
- D434,822 S * 12/2000 Jacobson D21/759
- 7,144,332 B2 * 12/2006 Sugimae A63B 53/02
473/308
- 7,258,623 B2 * 8/2007 Halleck A63B 53/02
473/308
- 8,124,205 B2 * 2/2012 Watanabe A63B 53/02
428/35.7
- D682,378 S * 5/2013 Holt D21/759
- D687,502 S * 8/2013 Oldknow D21/759
- D687,504 S * 8/2013 Stokke D21/759
- D689,575 S * 9/2013 Oldknow D21/759
- D689,576 S * 9/2013 Oldknow D21/759
- D689,577 S * 9/2013 Oldknow D21/759
- D740,382 S * 10/2015 Koo D21/759

* cited by examiner

Primary Examiner — Mitchell Siegel

(74) *Attorney, Agent, or Firm* — Conley Rose, P.C.; Rodney B. Carroll

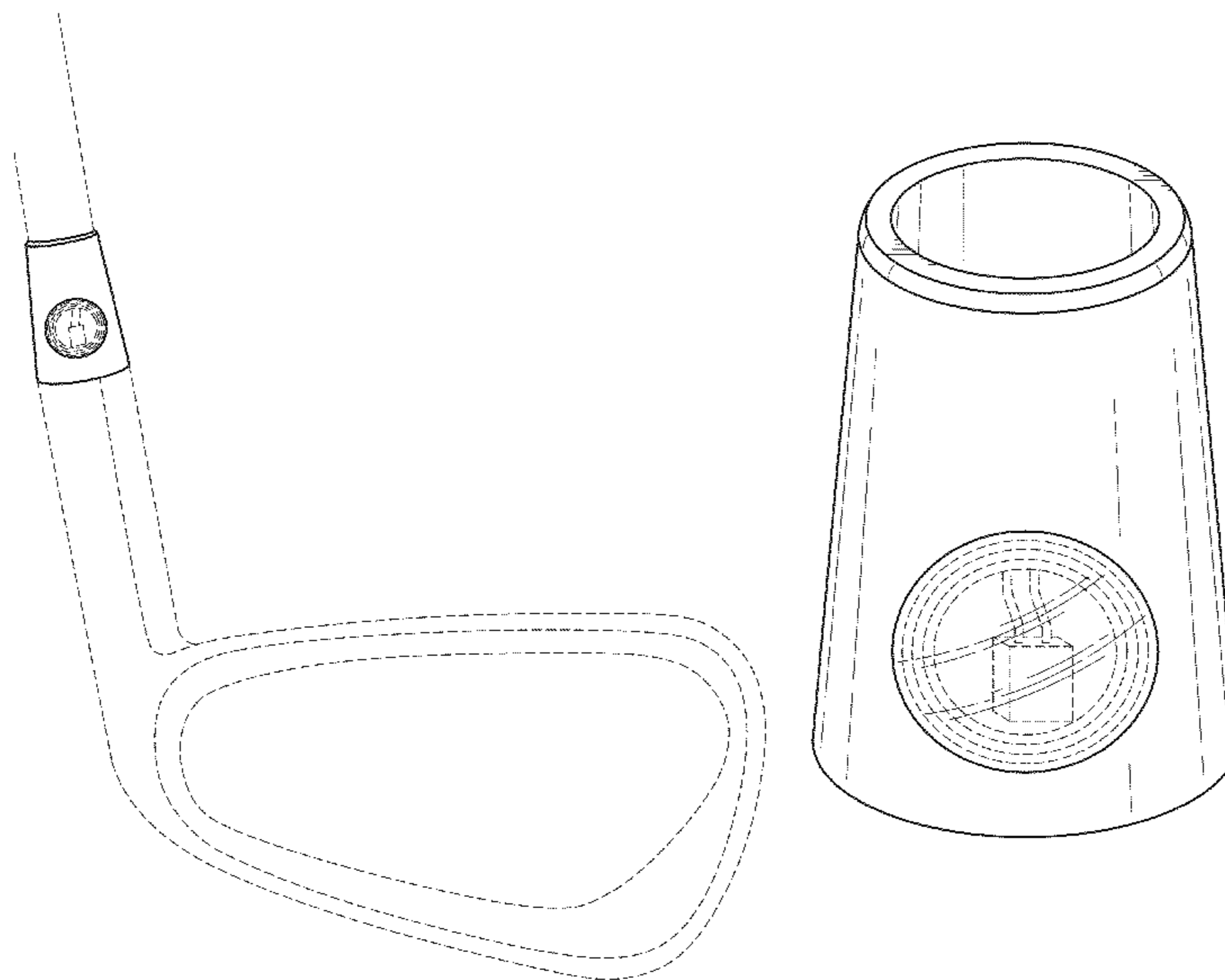
(57) **CLAIM**

The ornamental design for a golf club ferrule having transparent window, as shown and described.

DESCRIPTION

FIG. 1 is a perspective view of a golf club ferrule having transparent window;
 FIG. 2 is an enlarged perspective view thereof;
 FIG. 3 is a further enlarged front elevational view;
 FIG. 4 is a rear elevational view of FIG. 3;
 FIG. 5 is a right side elevational view of FIG. 3;
 FIG. 6 is a left side elevational view of FIG. 3;
 FIG. 7 is a top plan view of FIG. 3;
 FIG. 8 is a bottom plan view of FIG. 3;
 FIG. 9 is a perspective view of FIG. 3; and,
 FIG. 10 is a bottom perspective view of FIG. 3.
 The broken lines are shown for illustrative purposes only and form no part of the claimed design.

1 Claim, 7 Drawing Sheets



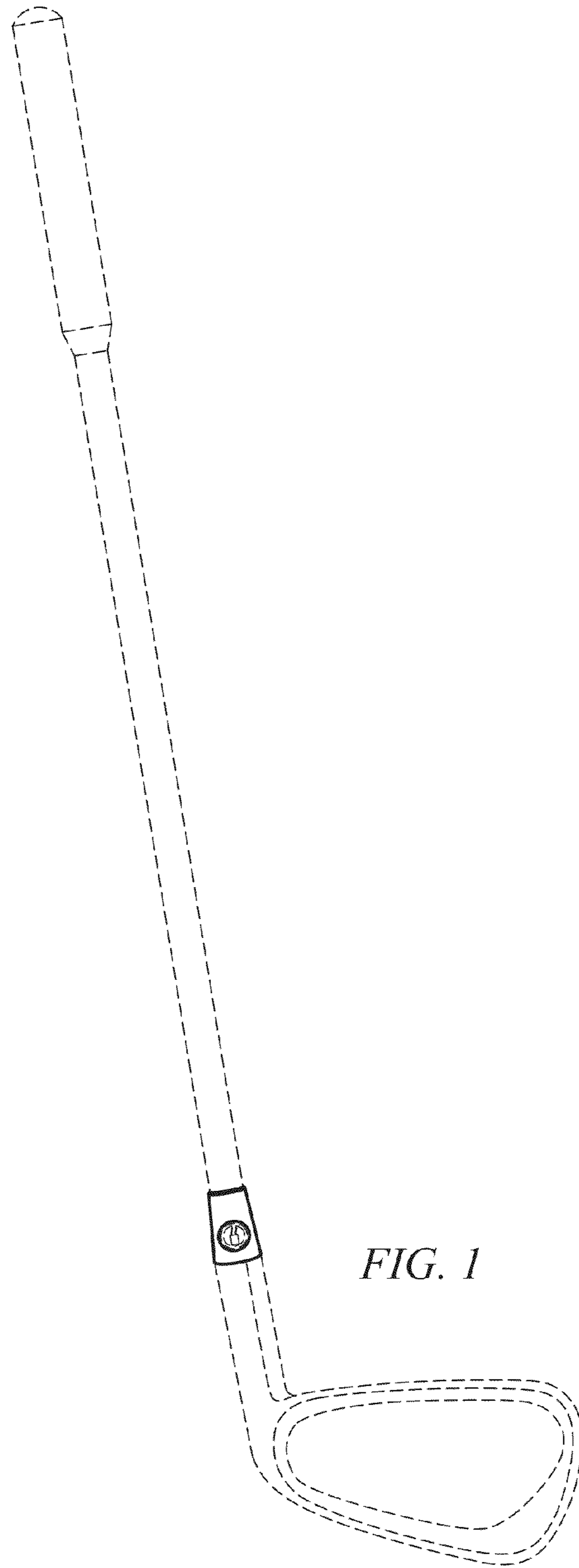


FIG. 1

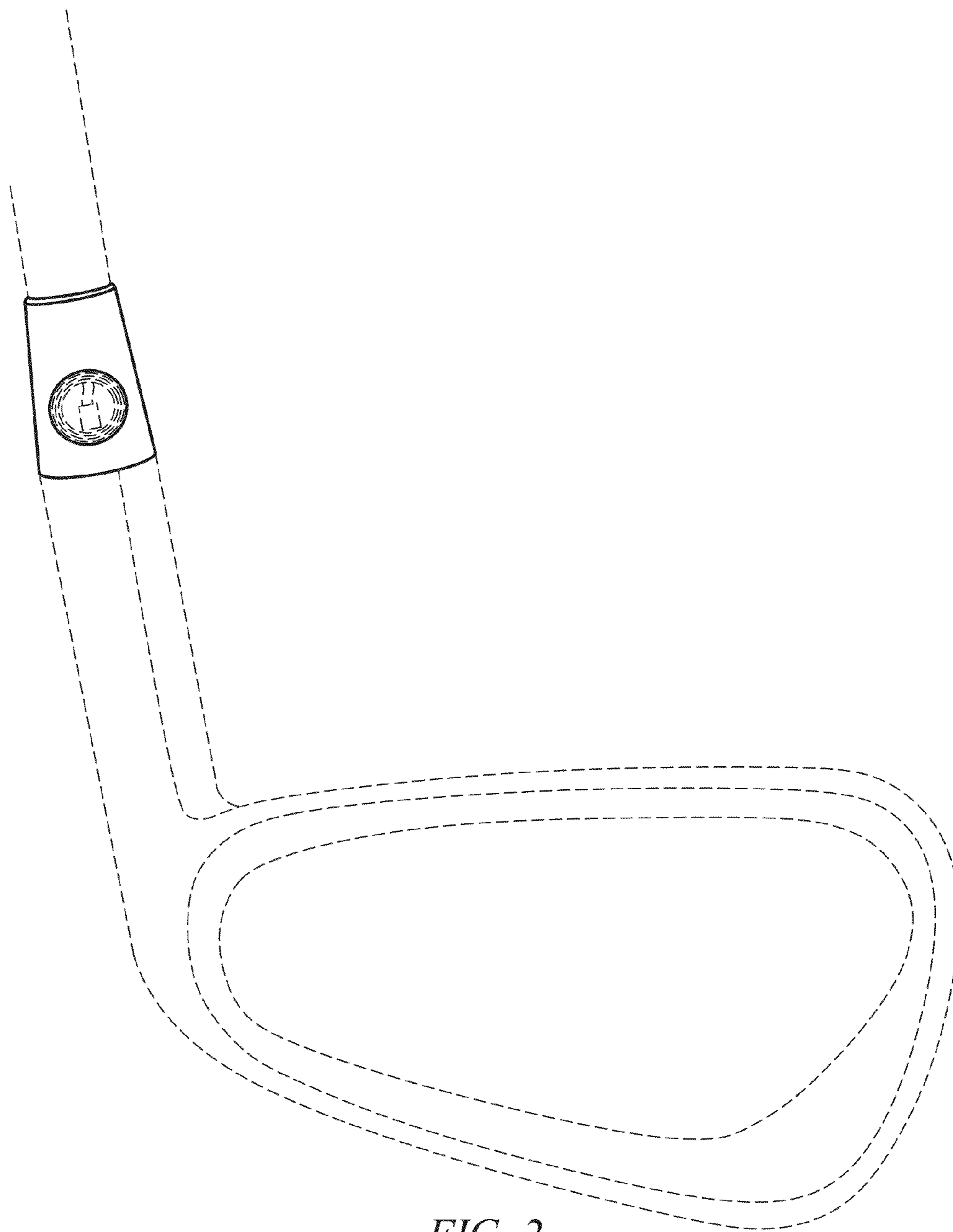


FIG. 2

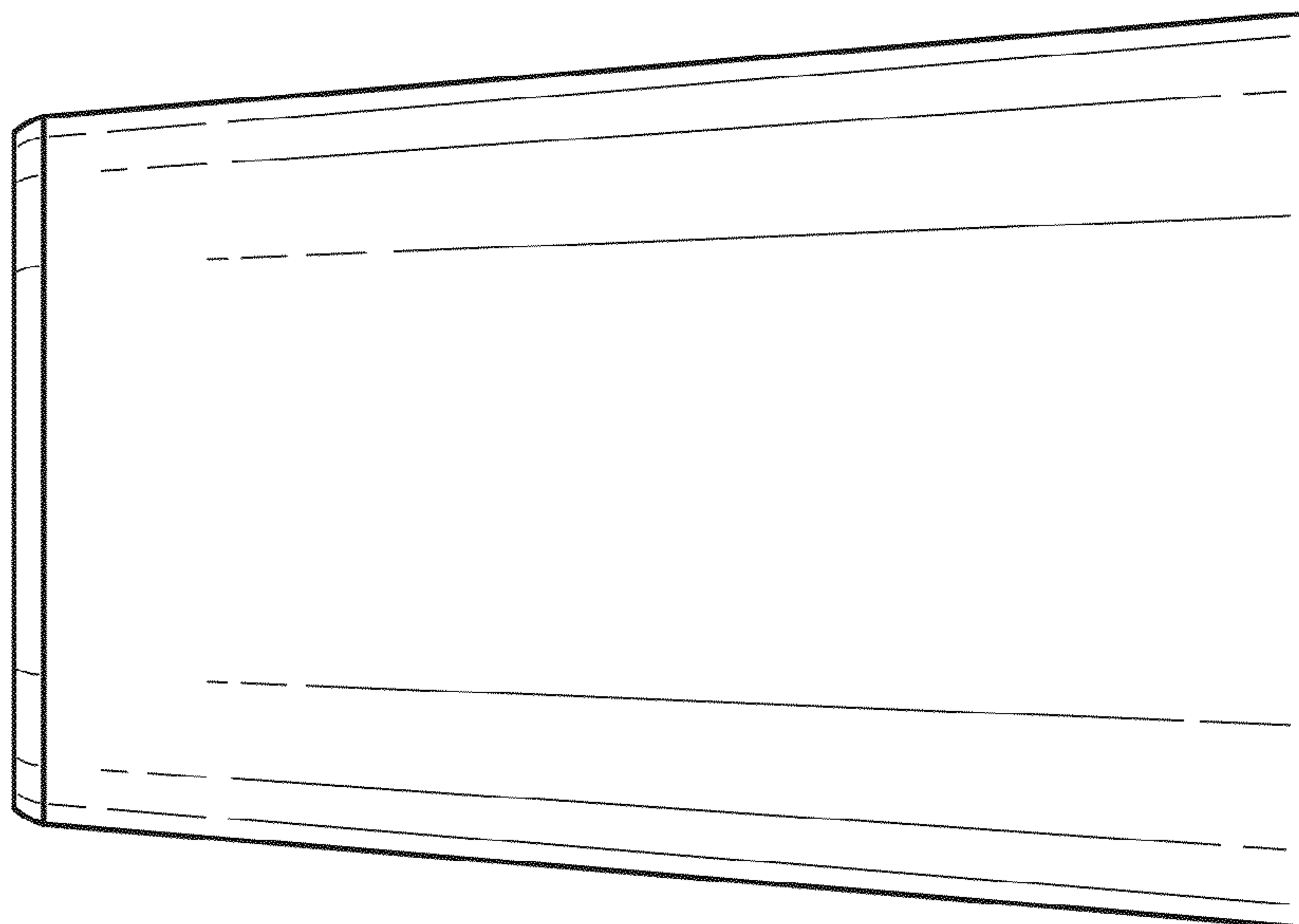


FIG. 4

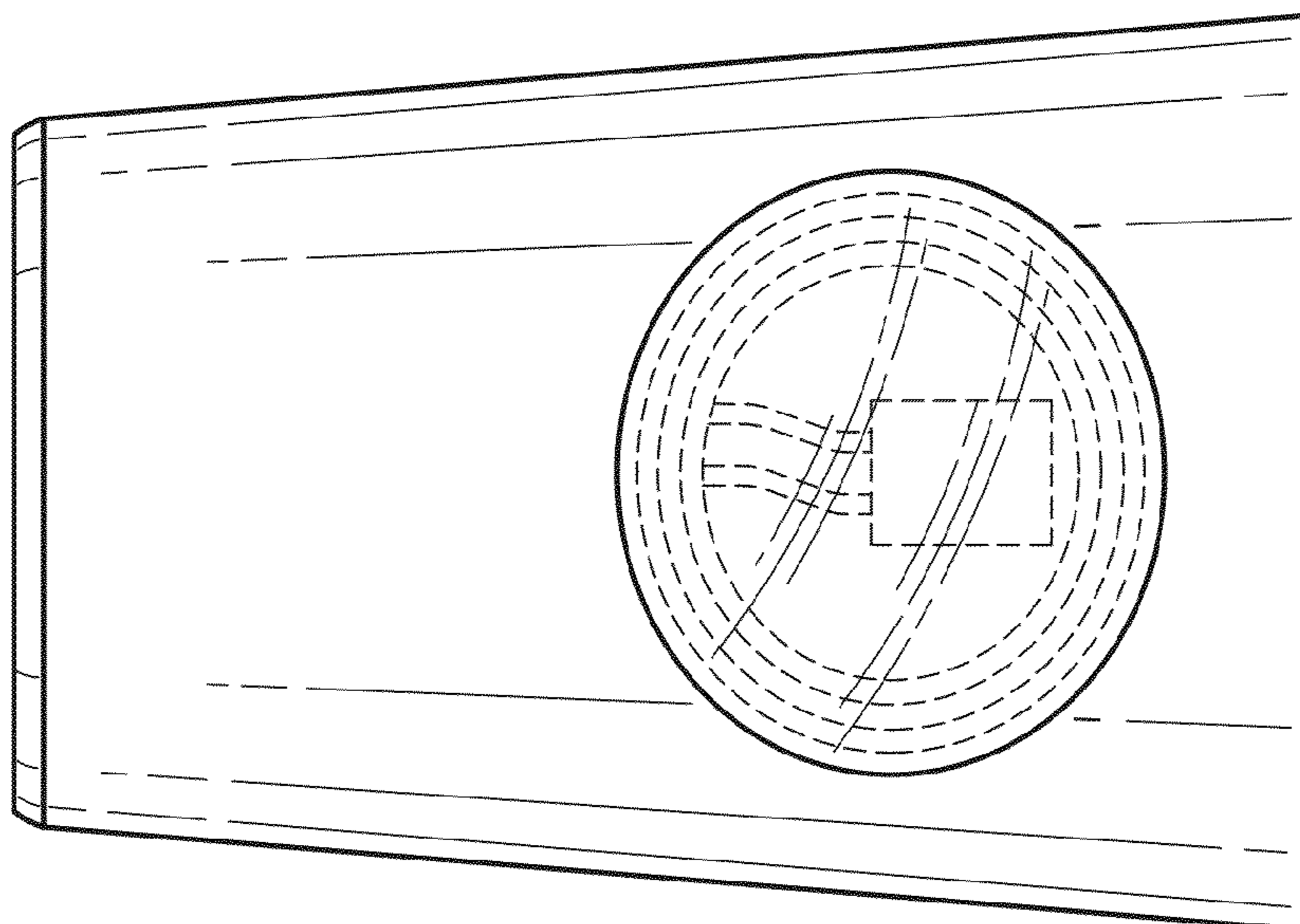


FIG. 3

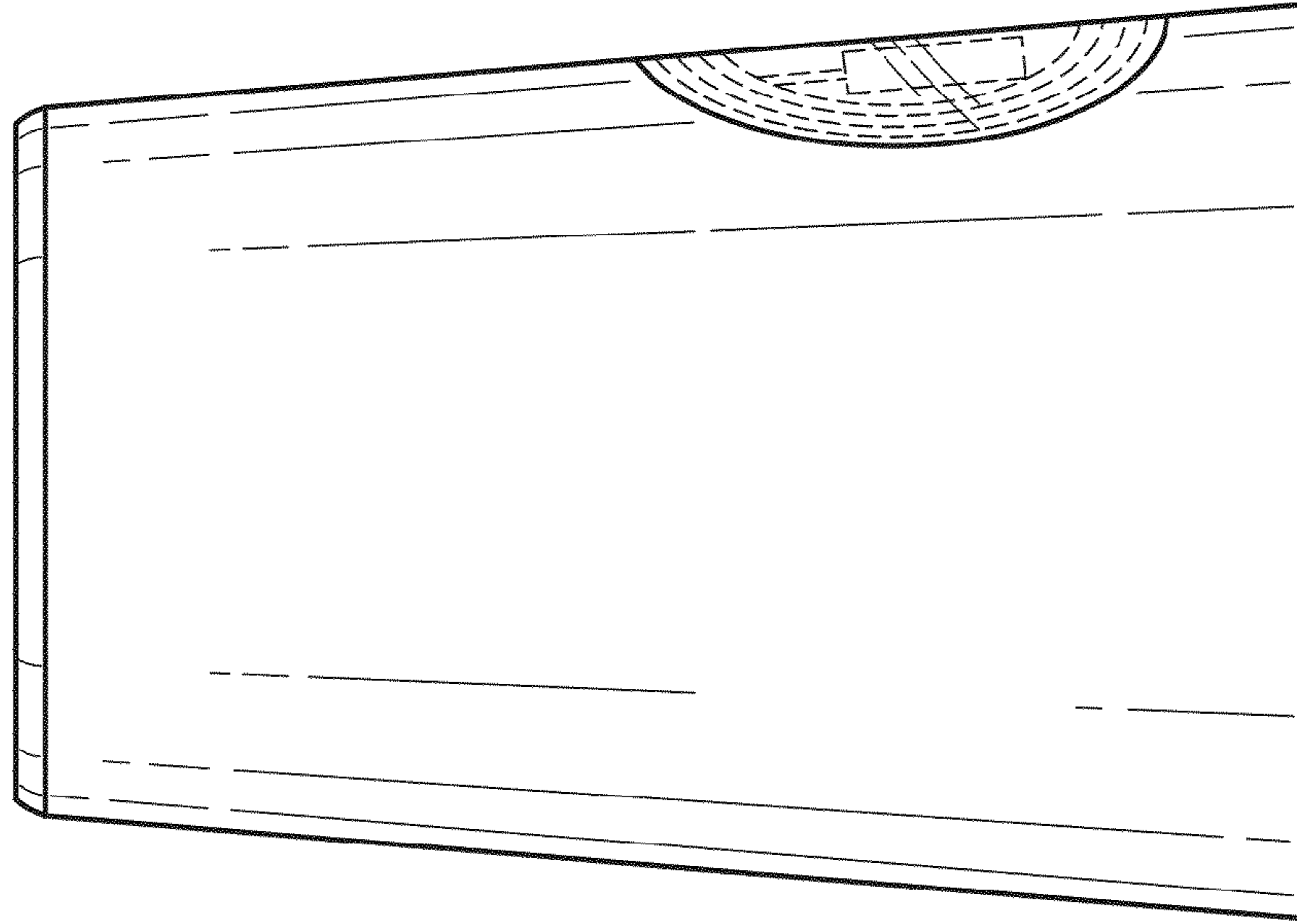


FIG. 6

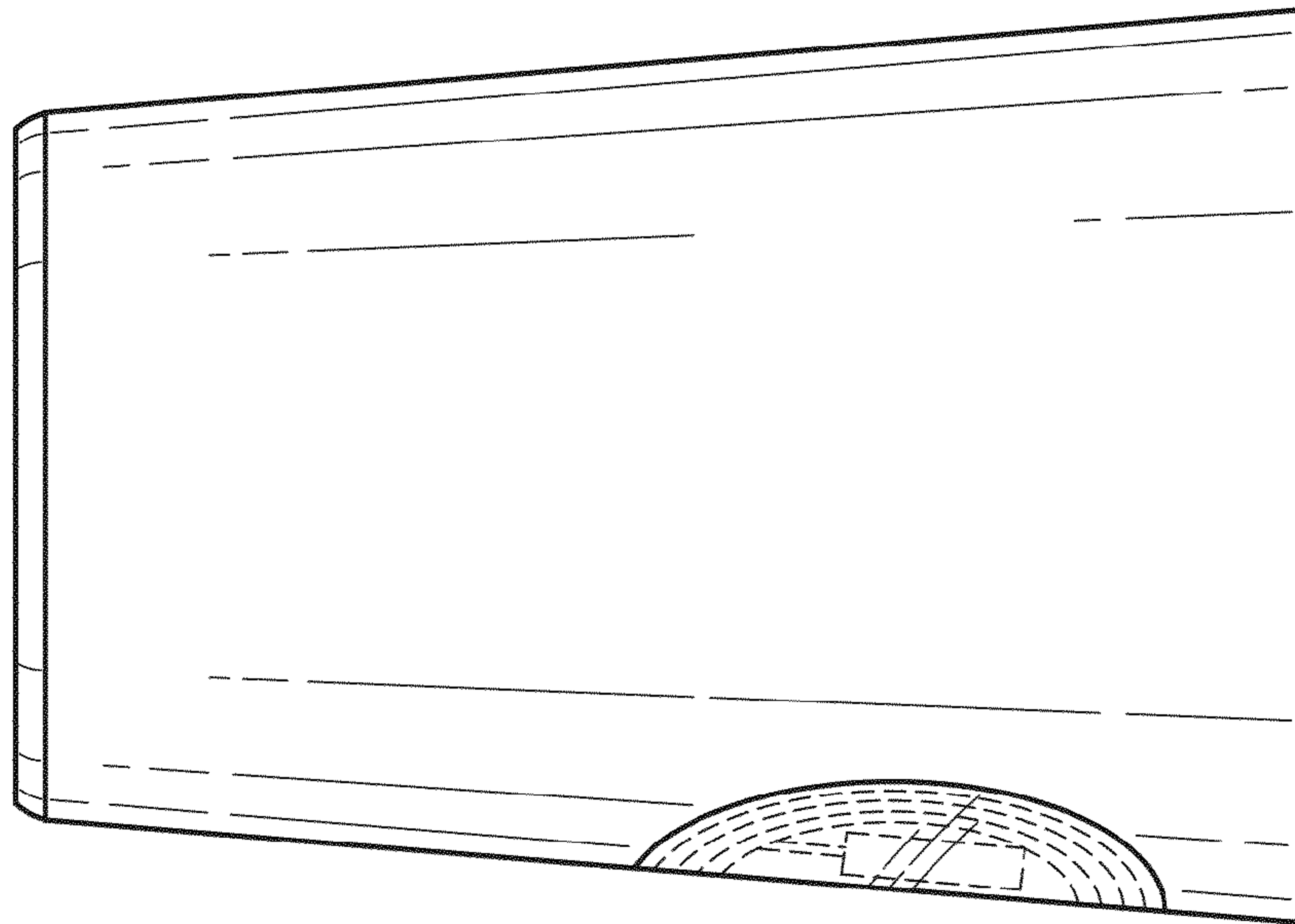


FIG. 5

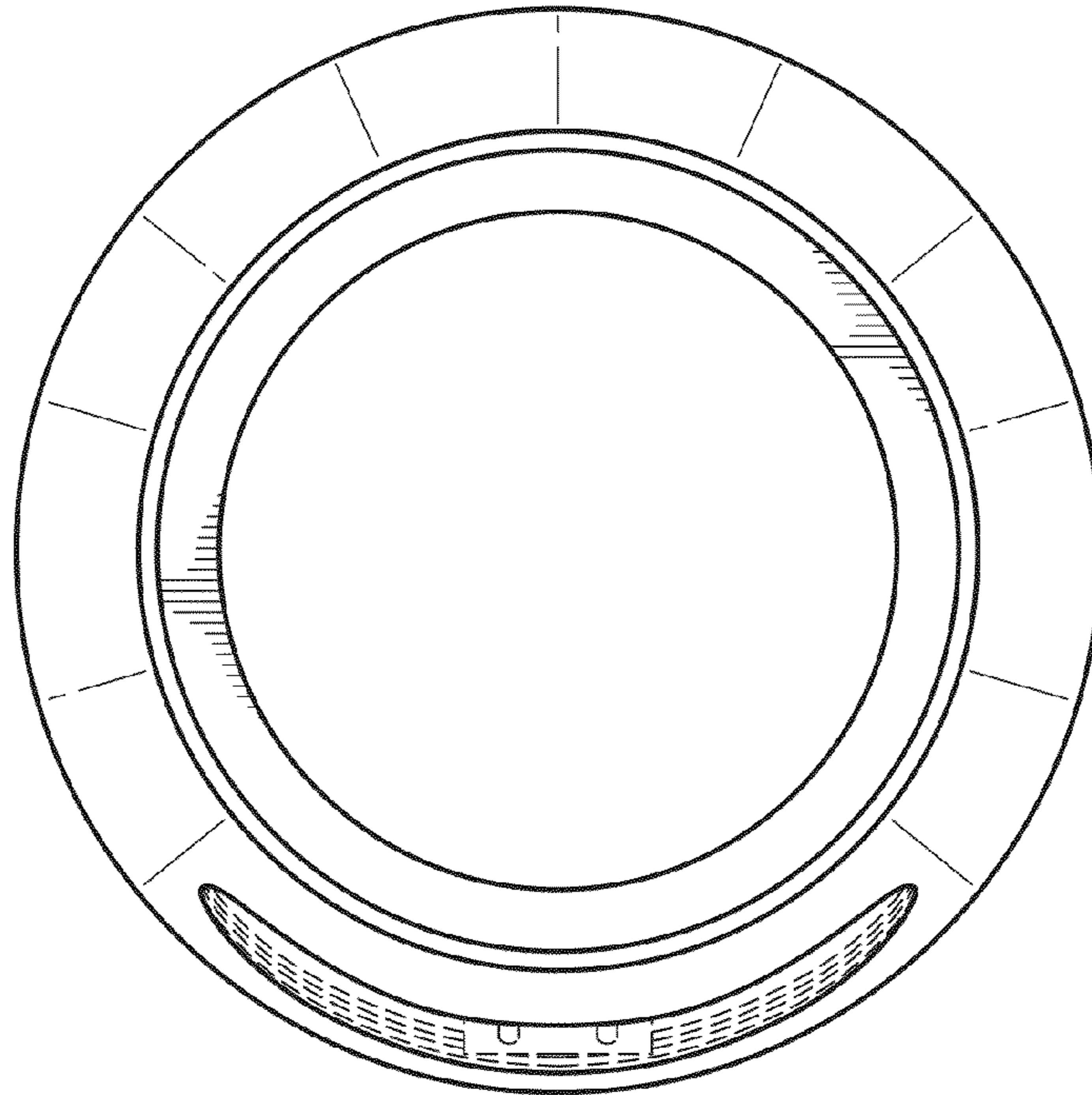


FIG. 7

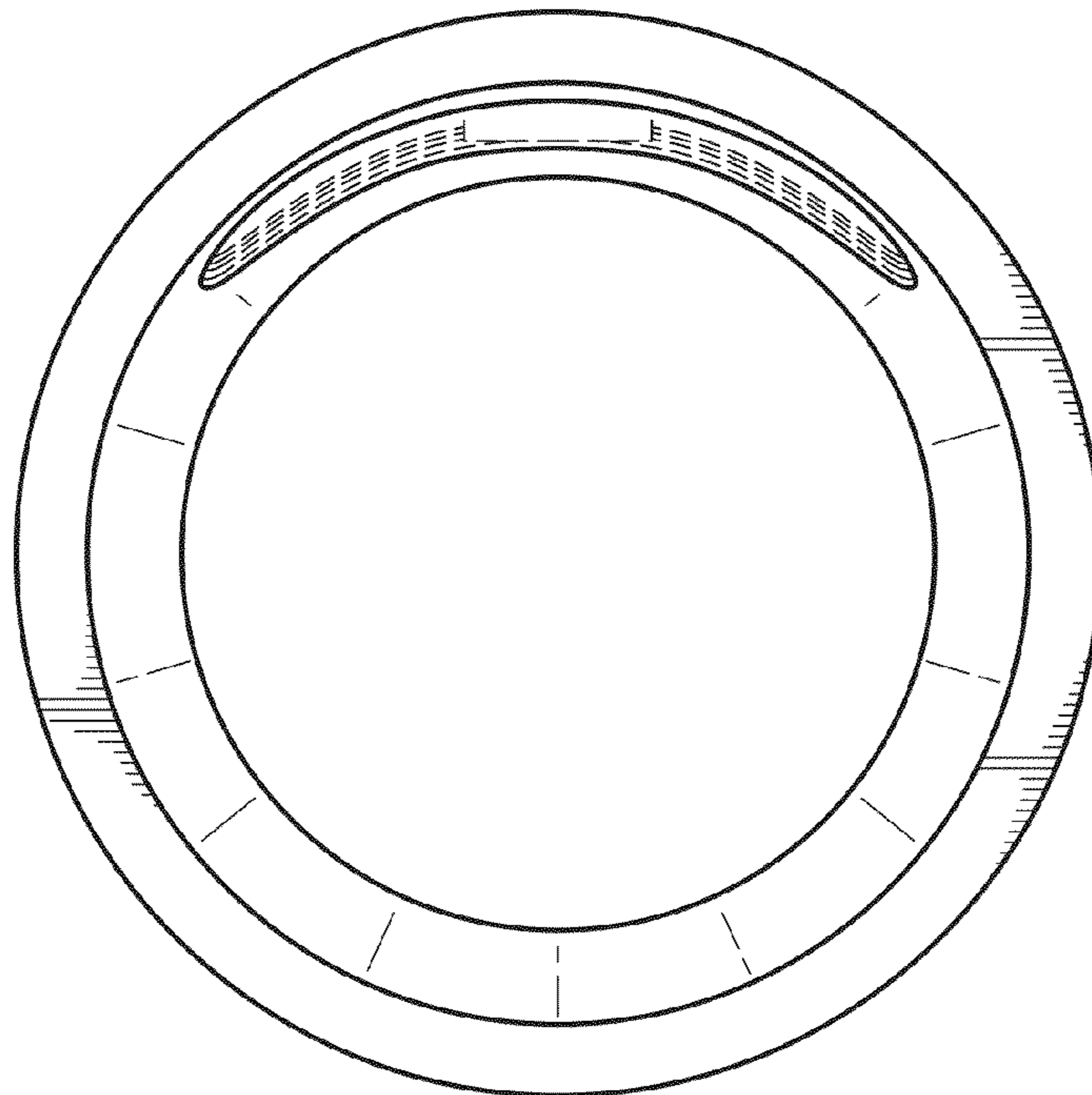


FIG. 8

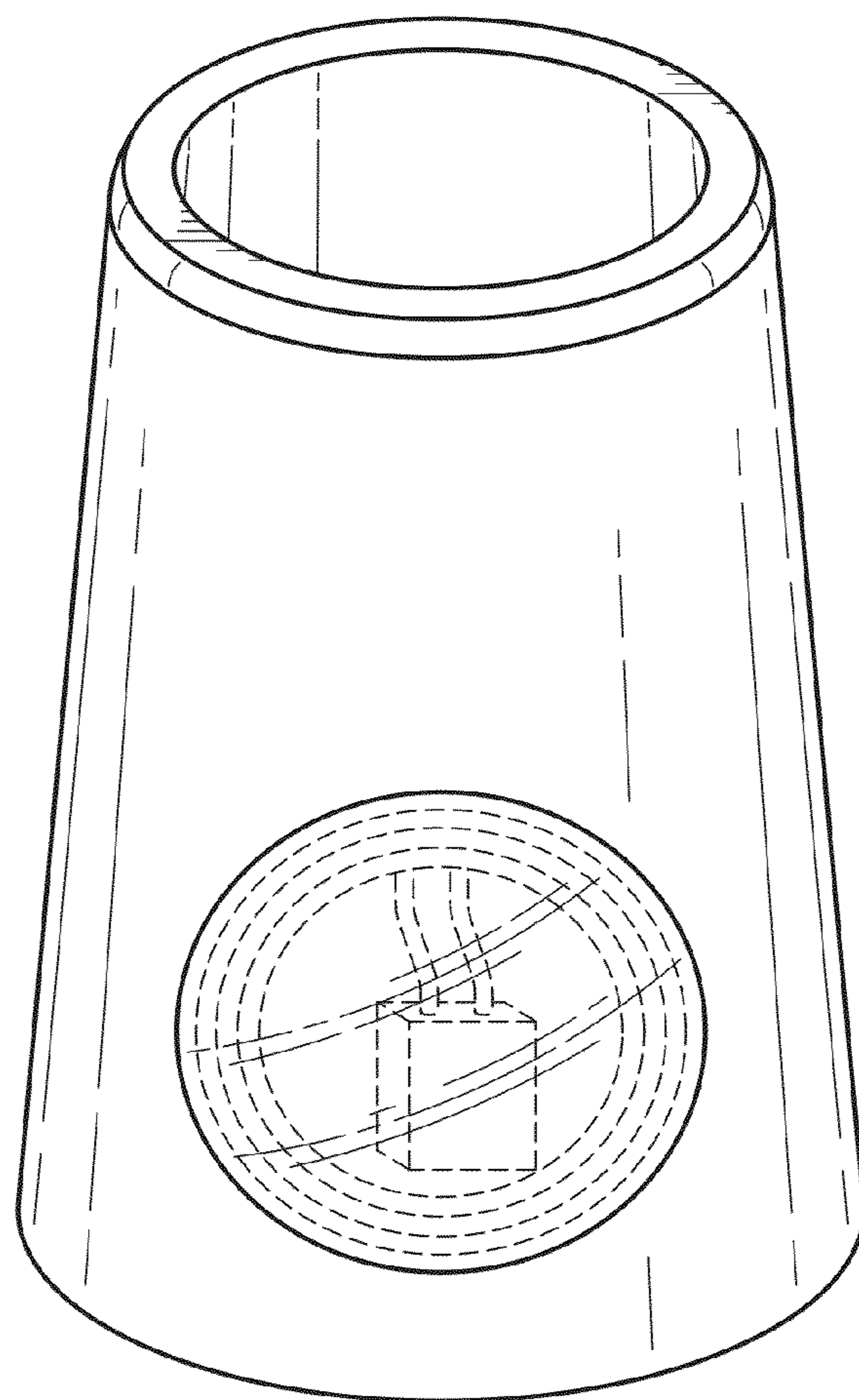


FIG. 9

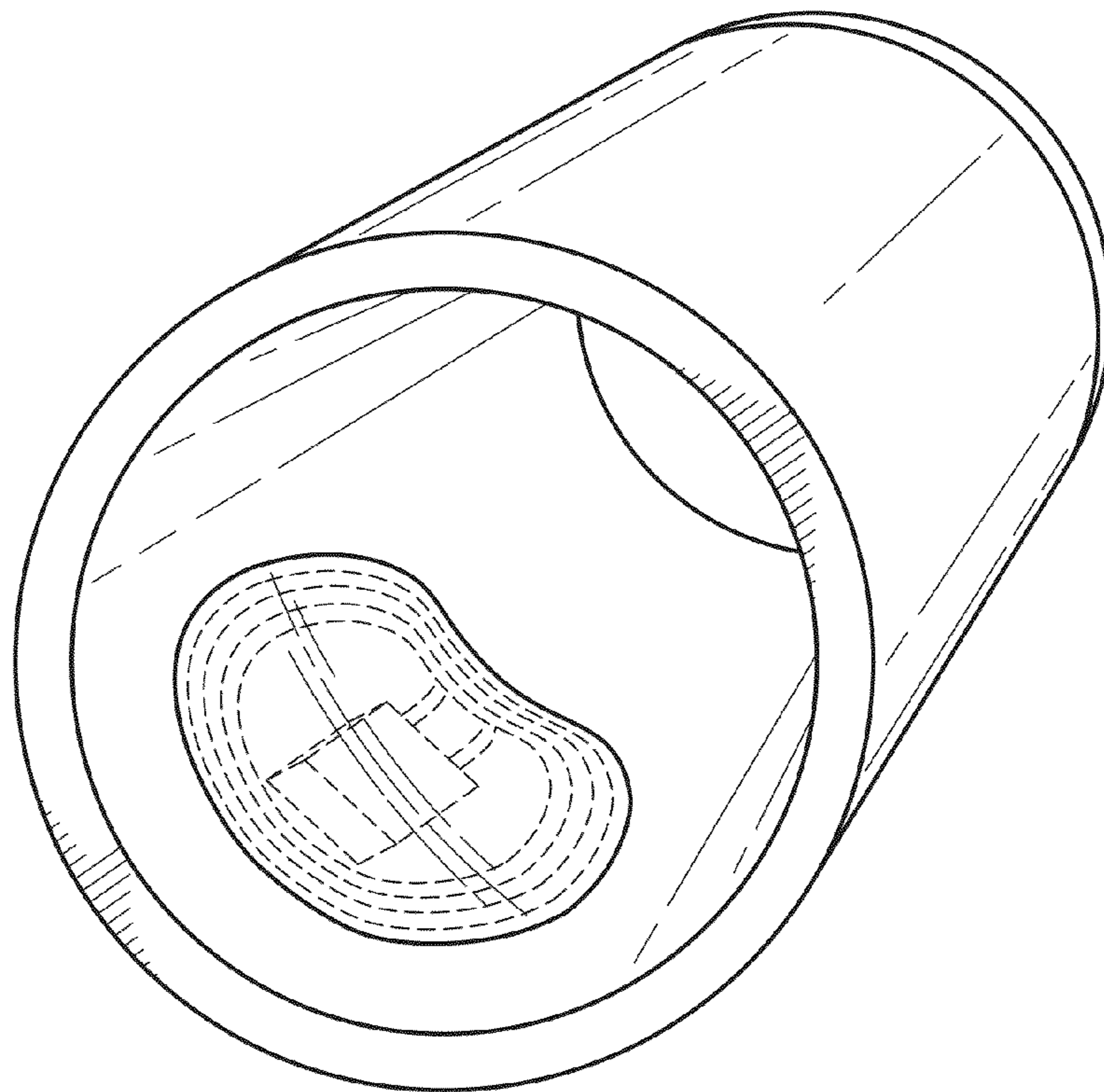


FIG. 10