



US00D758511S

(12) **United States Design Patent**
Williams

(10) **Patent No.:** **US D758,511 S**
(45) **Date of Patent:** **** Jun. 7, 2016**

(54) **PET TOY THROWER**

(71) Applicant: **OgoSport LLC**, Brooklyn, NY (US)

(72) Inventor: **Kevin Williams**, Sprakers, NY (US)

(73) Assignee: **Ogosport LLC**, Brooklyn, NY (US)

(**) Term: **14 Years**

(21) Appl. No.: **29/519,312**

(22) Filed: **Mar. 4, 2015**

(51) **LOC (10) Cl.** **21-02**

(52) **U.S. Cl.**
USPC **D21/722; D30/160**

(58) **Field of Classification Search**
USPC D21/722; D30/160
CPC A63B 65/122; A63B 59/20; A01K 15/02
See application file for complete search history.

(56) **References Cited**

U.S. PATENT DOCUMENTS

1,585,446	A *	5/1926	Warwick	A63B 59/20	124/5
1,785,876	A *	12/1930	Pilates	A63B 65/122	124/29
D249,815	S *	10/1978	Huelskamp	D21/722	
4,974,574	A *	12/1990	Cutlip	F41J 9/28	124/43
5,390,652	A *	2/1995	Minneman	F41J 9/28	12/43
D424,640	S *	5/2000	Oblack	D21/722	
6,076,829	A *	6/2000	Oblack	A63B 59/20	124/5
6,477,745	B2 *	11/2002	Strebl	A63B 59/20	24/11 R
D554,717	S *	11/2007	McKinnell	D21/722	
D630,277	S *	1/2011	McKinnell	D21/722	
D634,489	S *	3/2011	Page	D21/722	
D637,248	S *	5/2011	Levin	D21/722	
D640,338	S *	6/2011	Oblack	D21/722	
D655,359	S *	3/2012	Thorogood	D21/722	
D666,686	S *	9/2012	Burger	D21/722	
D674,851	S *	1/2013	Osborne	D21/722	
8,857,419	B2 *	10/2014	Hansen	A63B 65/122	124/5

D729,329	S *	5/2015	Williams	D21/722	
2012/0006309	A1 *	1/2012	Levin	A01K 15/025	124/5
2012/0048251	A1 *	3/2012	Oblack	F41B 3/04	124/5
2012/0227721	A1 *	9/2012	Geller	A01K 15/025	124/5

* cited by examiner

Primary Examiner — Mitchell Siegel

(74) *Attorney, Agent, or Firm* — Kane Kessler, P.C.; Barry E. Negrin

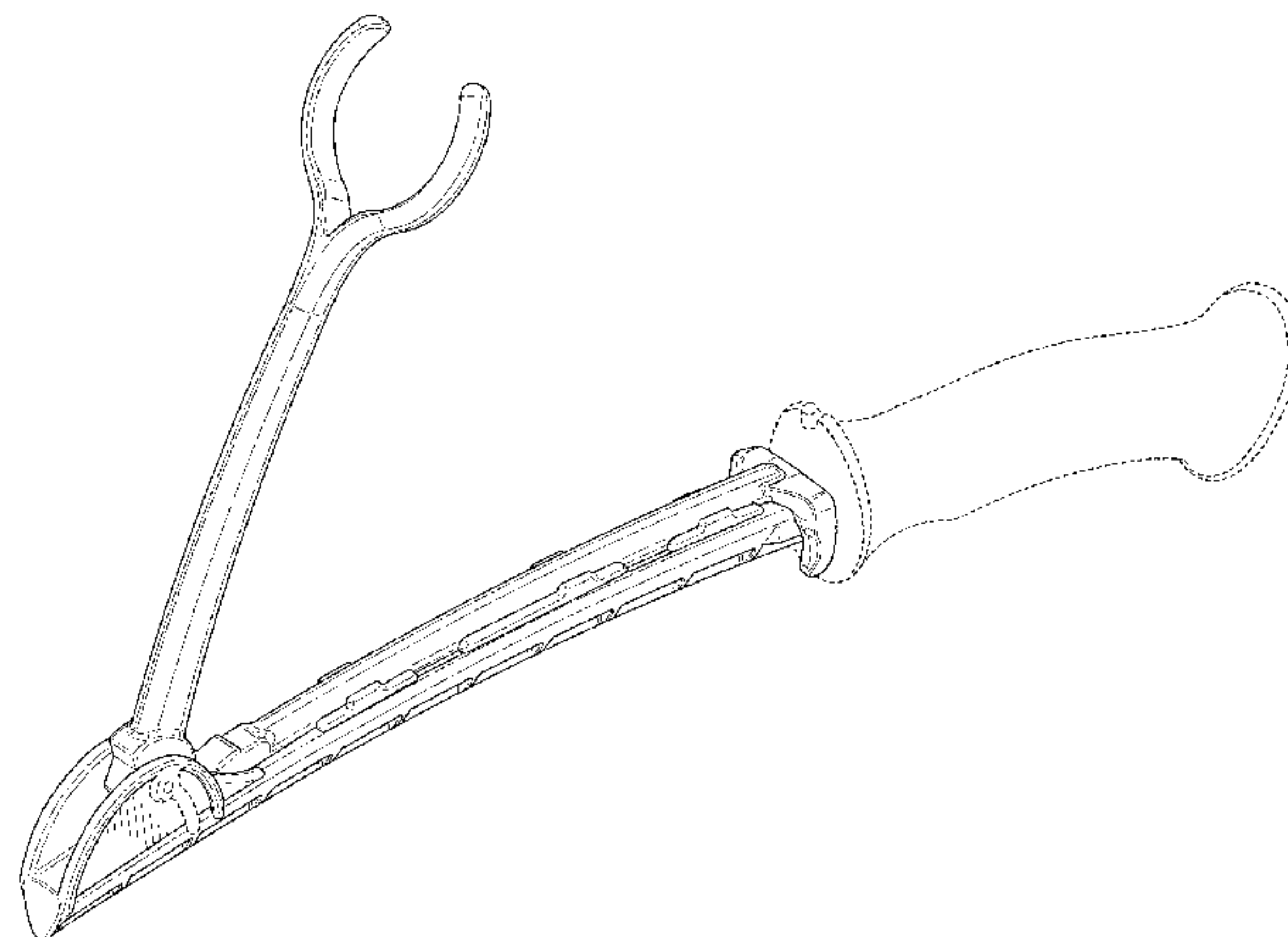
(57) **CLAIM**

The ornamental design for a pet toy thrower, as shown and described.

DESCRIPTION

FIG. 1 is a front perspective view of a pet toy thrower, showing my new design, illustrated in a throwing configuration. FIG. 2 is a rear perspective view of the pet toy thrower of FIG. 1, illustrated in a throwing configuration. FIG. 3 is a front elevational view of the pet toy thrower of FIG. 1, illustrated in a throwing configuration. FIG. 4 is a rear elevational view of the pet toy thrower of FIG. 1, illustrated in a throwing configuration. FIG. 5 is a left elevational view of the pet toy thrower of FIG. 1, illustrated in a throwing configuration. FIG. 6 is a right elevational view of the pet toy thrower of FIG. 1, illustrated in a throwing configuration. FIG. 7 is a top elevational view of the pet toy thrower of FIG. 1, illustrated in a throwing configuration. FIG. 8 is a bottom elevational view of the pet toy thrower of FIG. 1, illustrated in a throwing configuration. FIG. 9 is a perspective view of the pet toy thrower of FIG. 1, illustrated in an extended configuration. FIG. 10 is a perspective view of the pet toy thrower of FIG. 1, illustrated in a collapsed configuration. FIG. 11 is a front elevational view of the pet toy thrower of FIG. 1, illustrated in a collapsed configuration. FIG. 12 is a rear elevational view of the pet toy thrower of FIG. 1, illustrated in a collapsed configuration. FIG. 13 is a left elevational view of the pet toy thrower of FIG. 1, illustrated in a collapsed configuration. FIG. 14 is a right elevational view of the pet toy thrower of FIG. 1, illustrated in a collapsed configuration. FIG. 15 is a top elevational view of the pet toy thrower of FIG. 1, illustrated in a collapsed configuration; and, FIG. 16 is a bottom elevational view of the pet toy thrower of FIG. 1, illustrated in a collapsed configuration. The portions of the drawings that are shown in dashed lines are environmental elements and are not part of the claimed design.

1 Claim, 12 Drawing Sheets



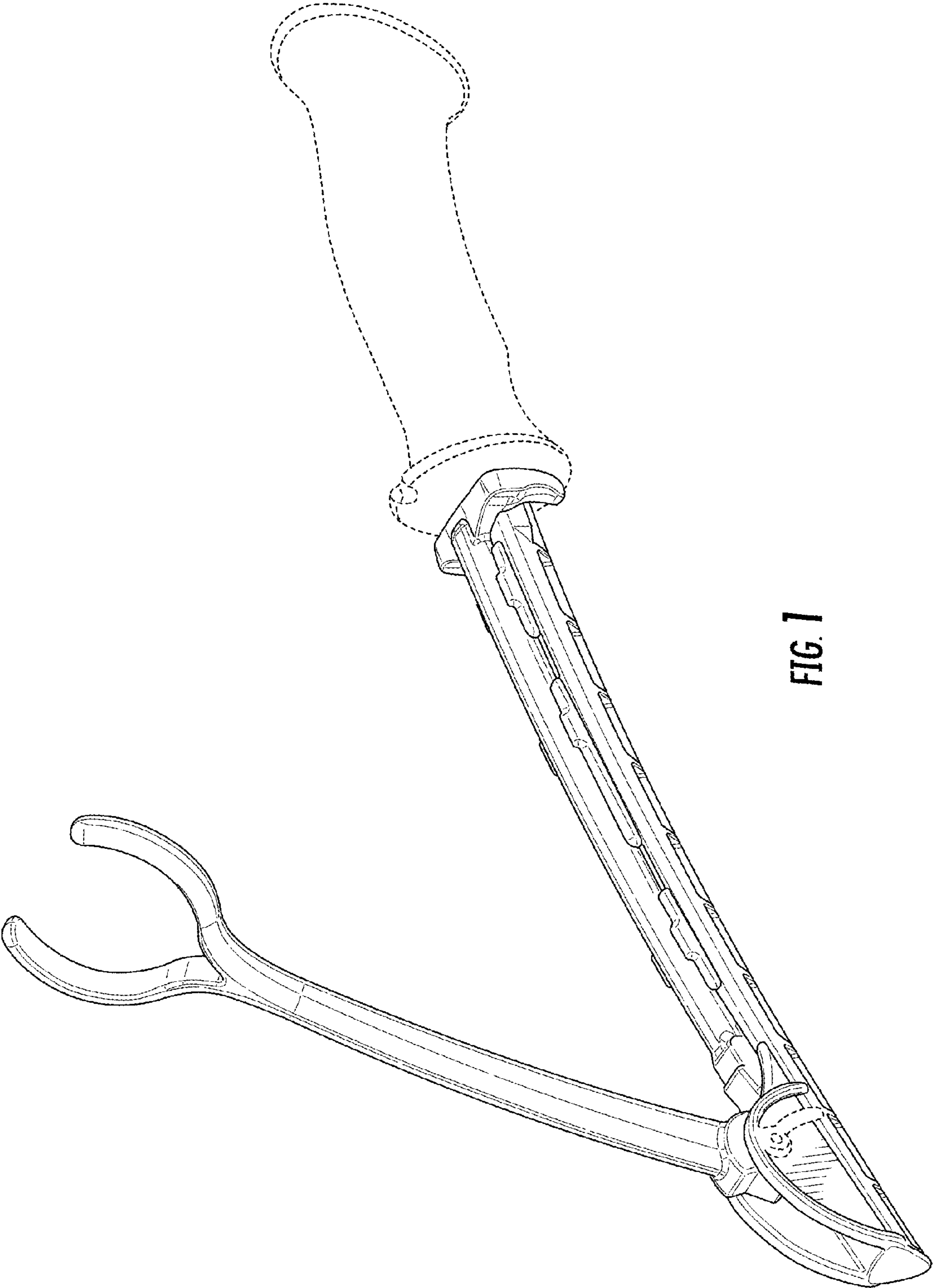


FIG. 1

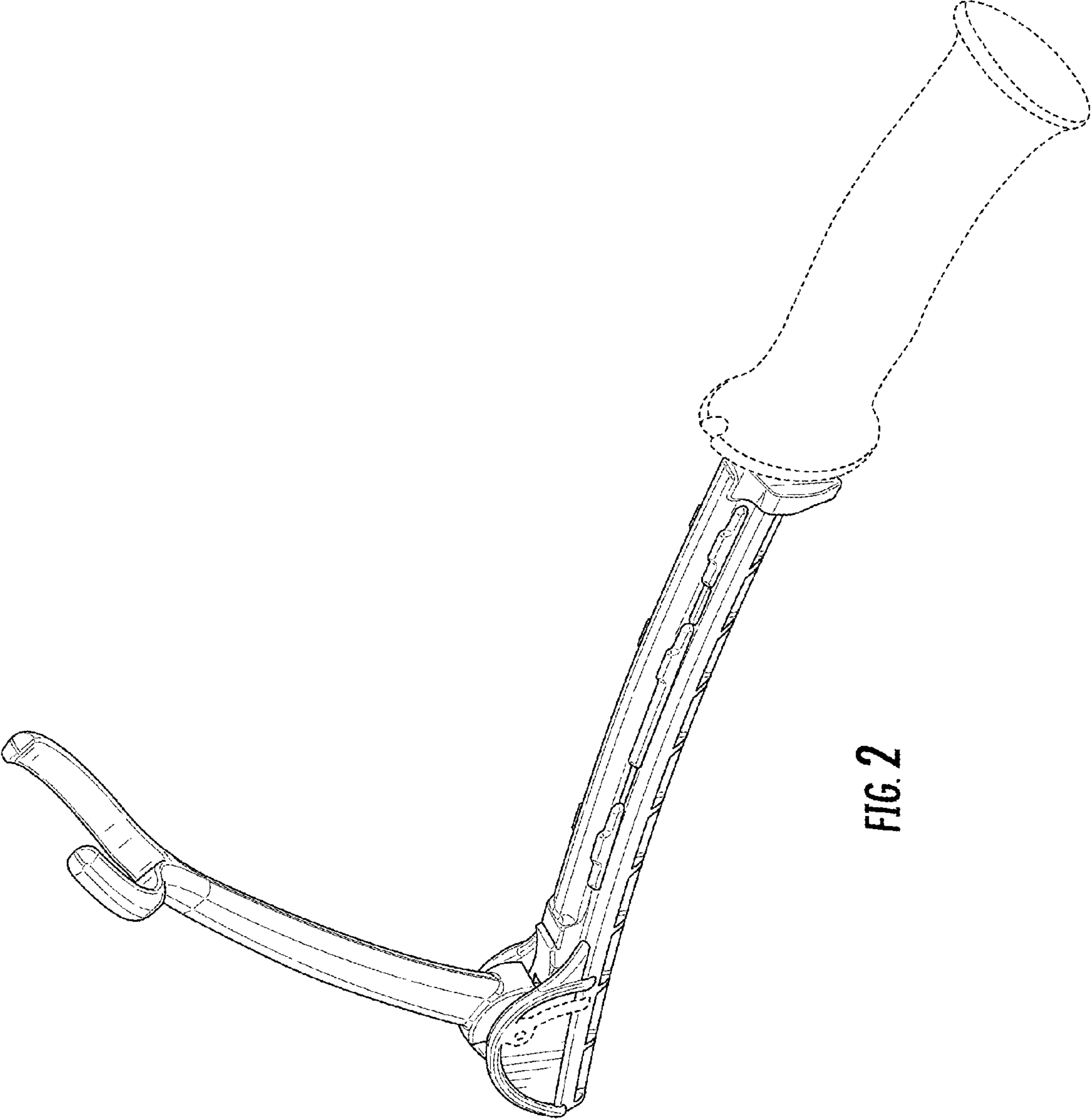


FIG. 2

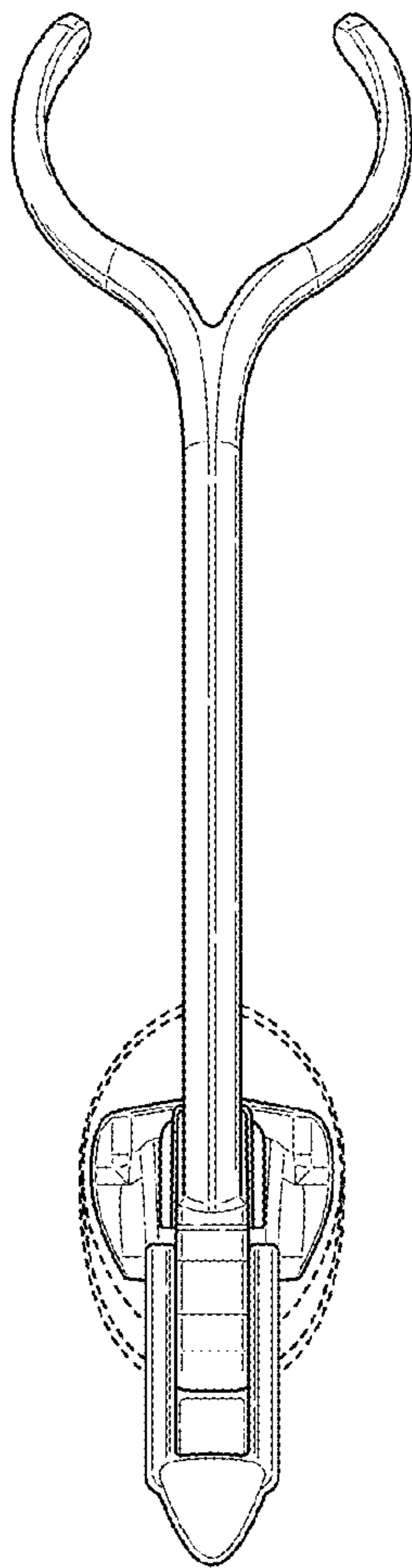


FIG. 3

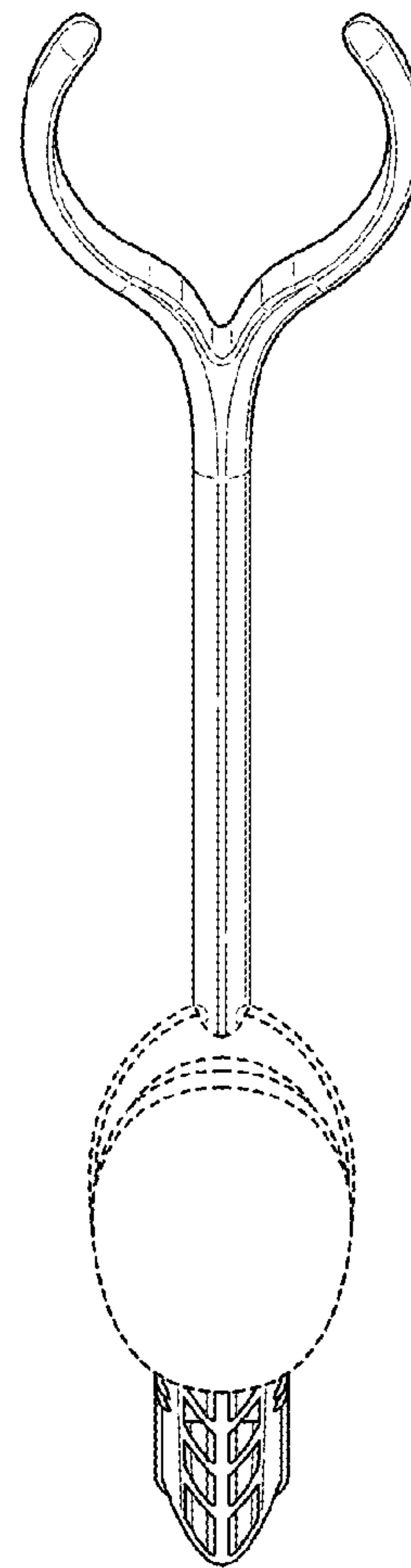


FIG. 4

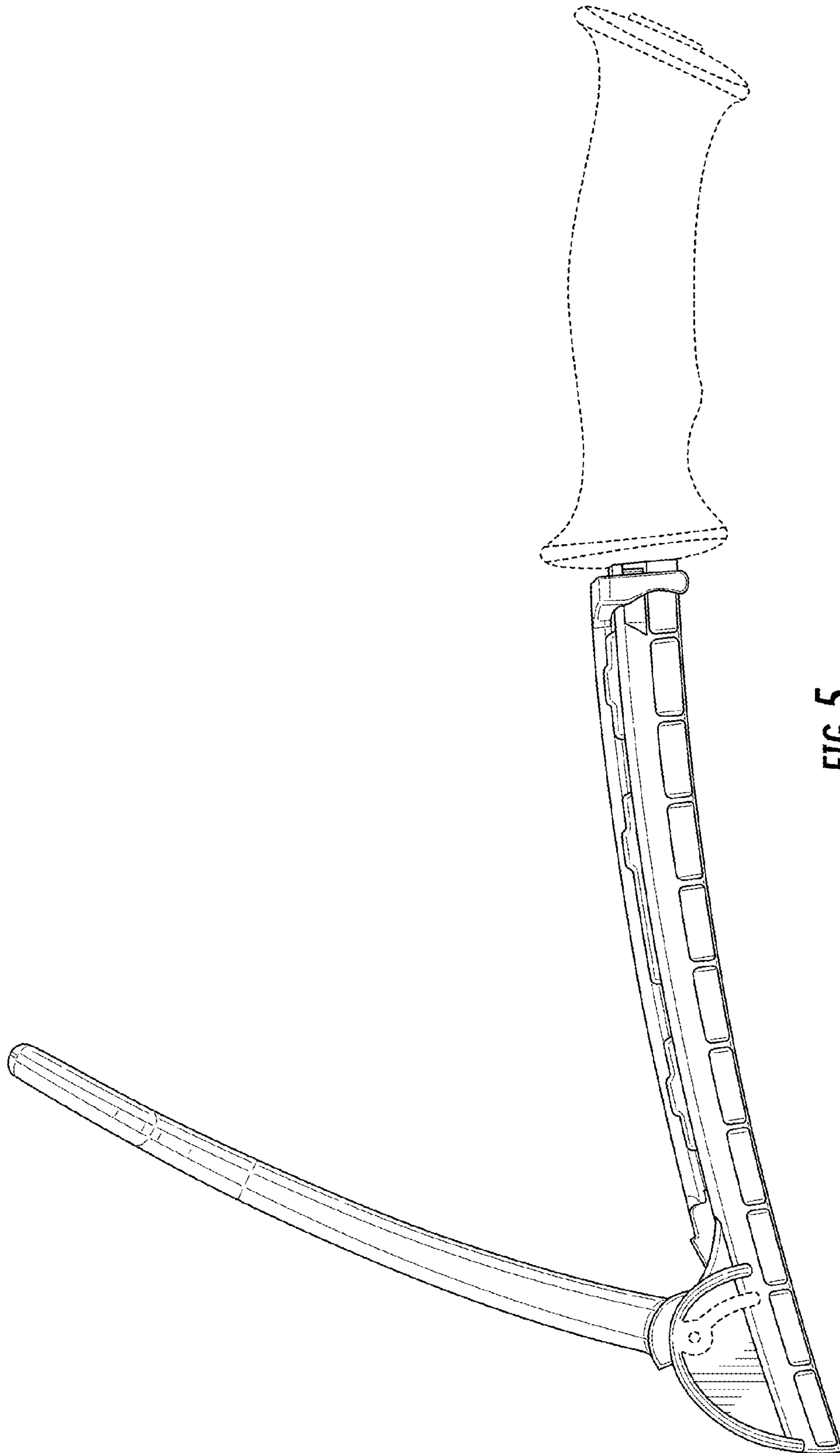


FIG. 5

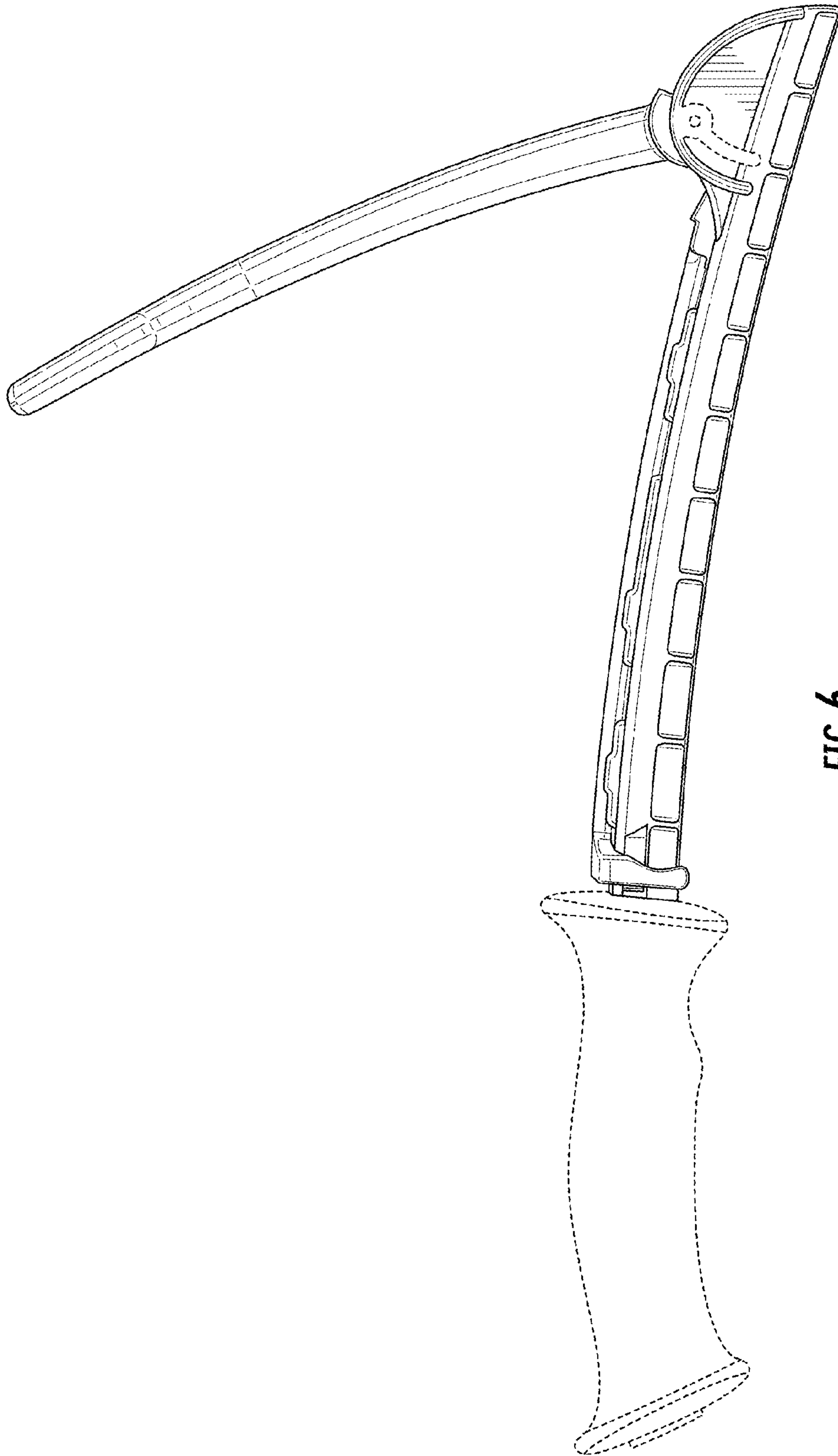


FIG. 6

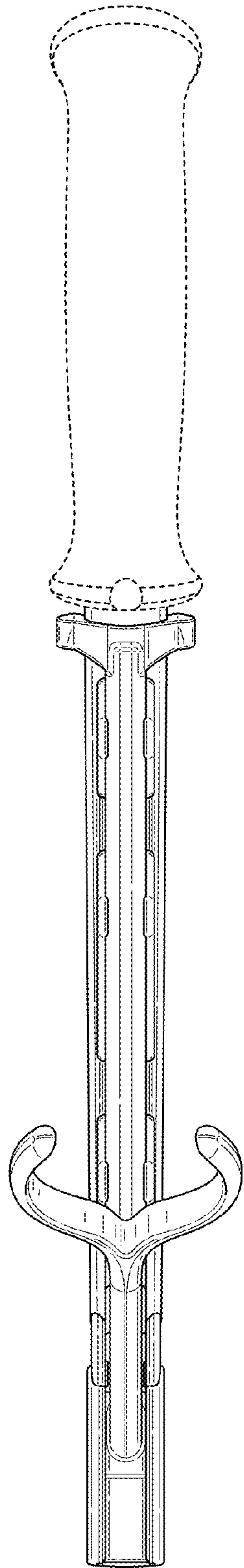


FIG. 7

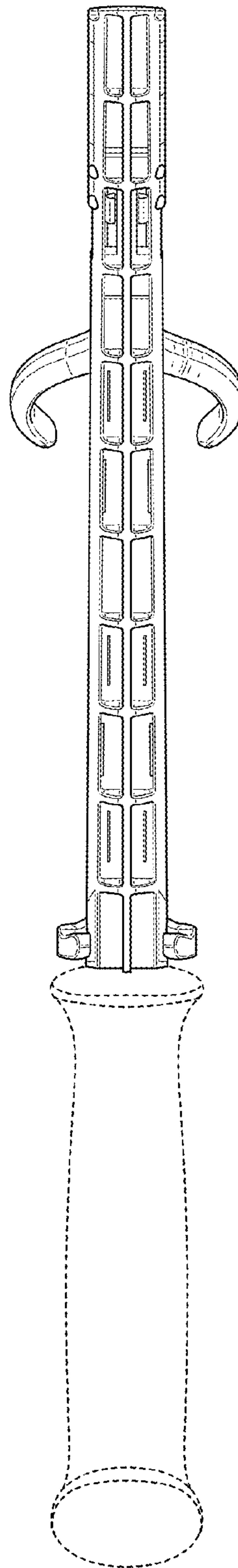


FIG. 8

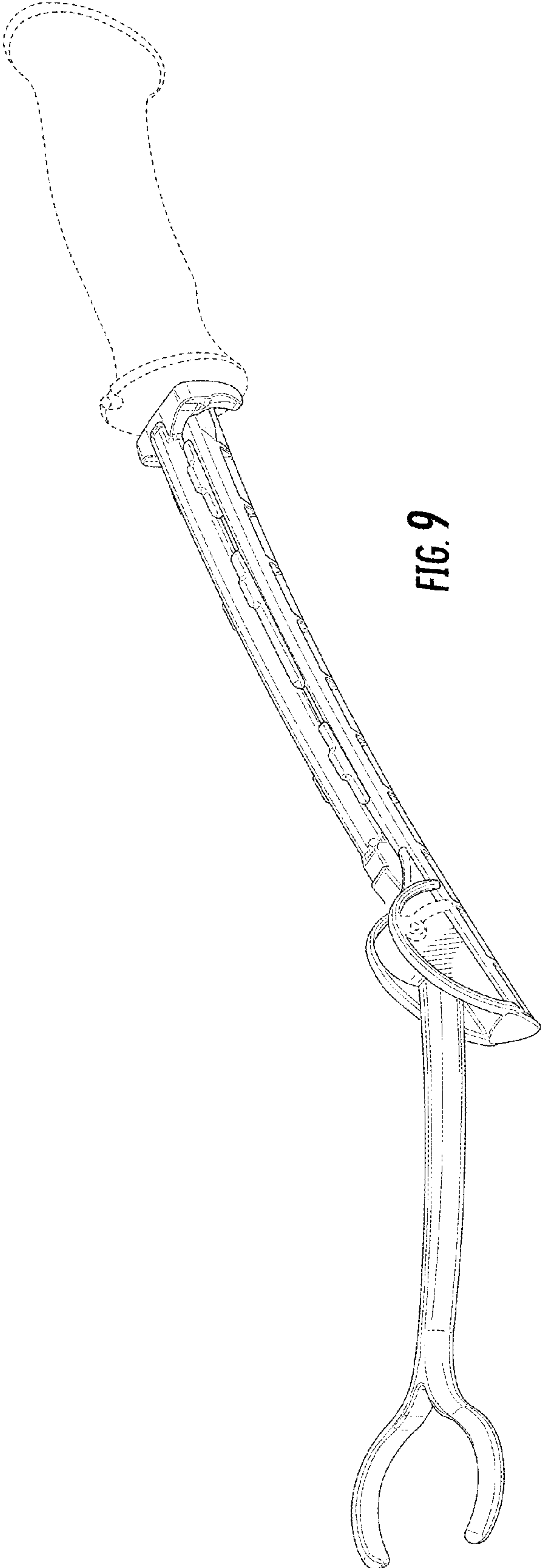


FIG. 9

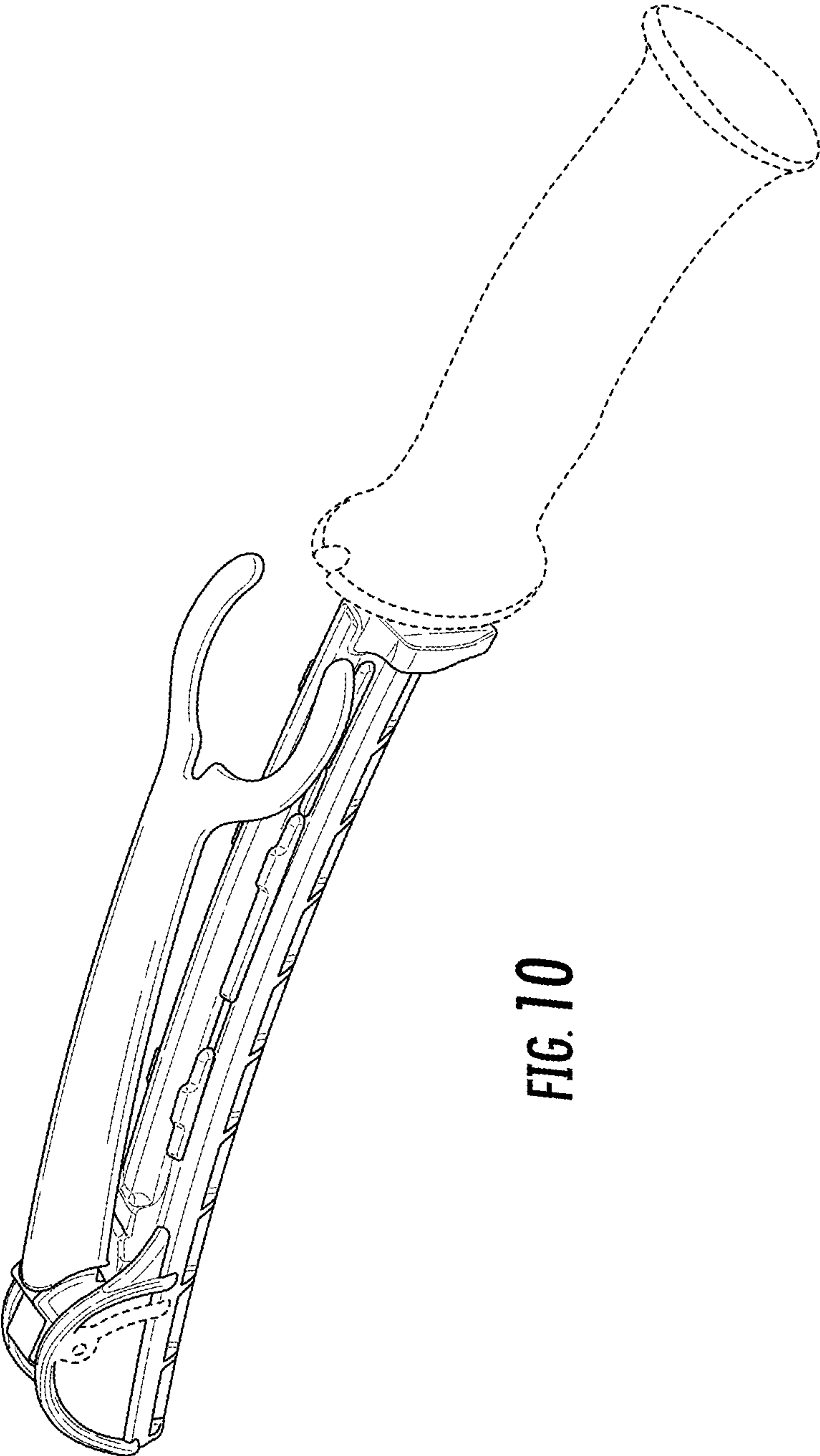


FIG. 10

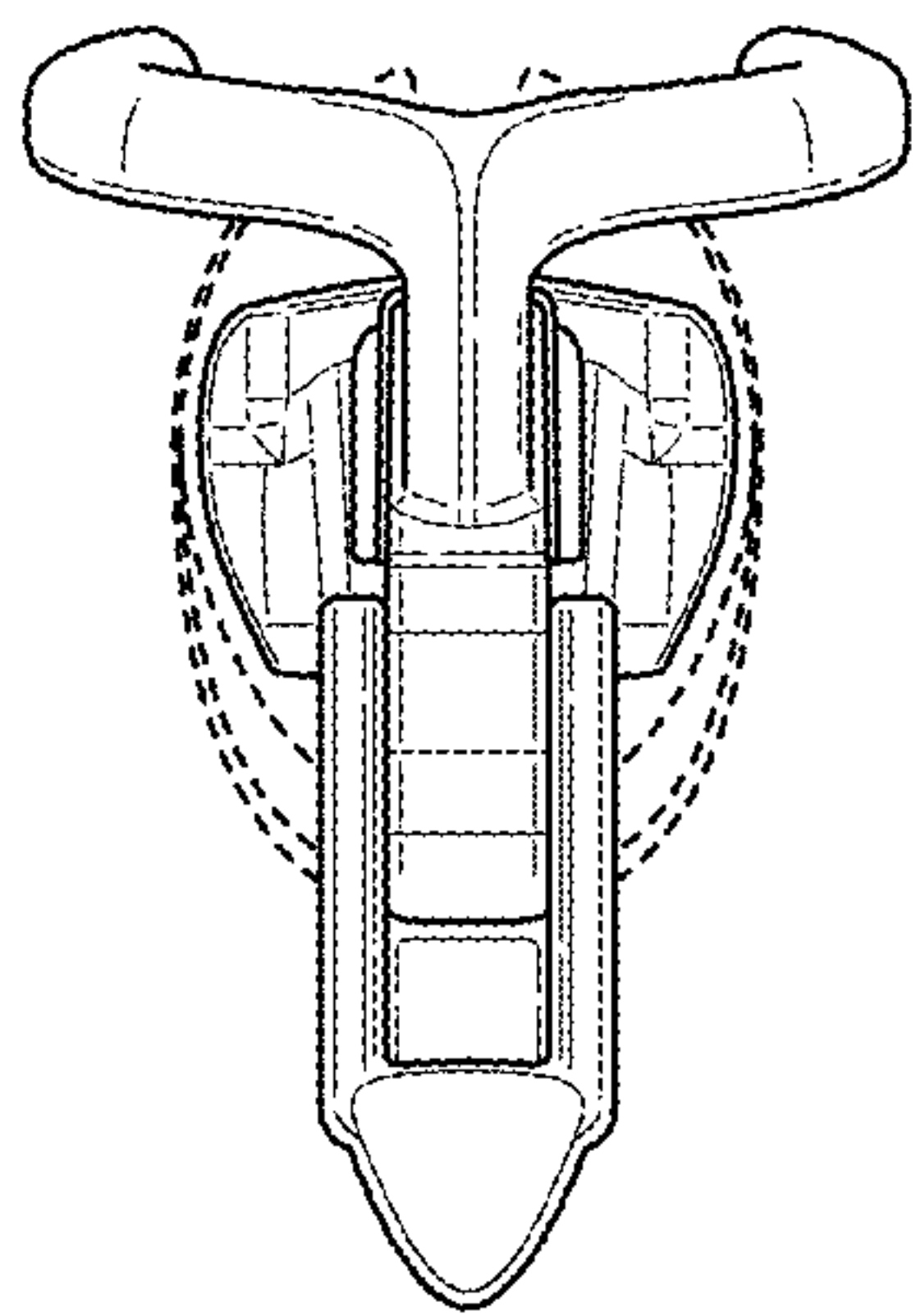


FIG. 11

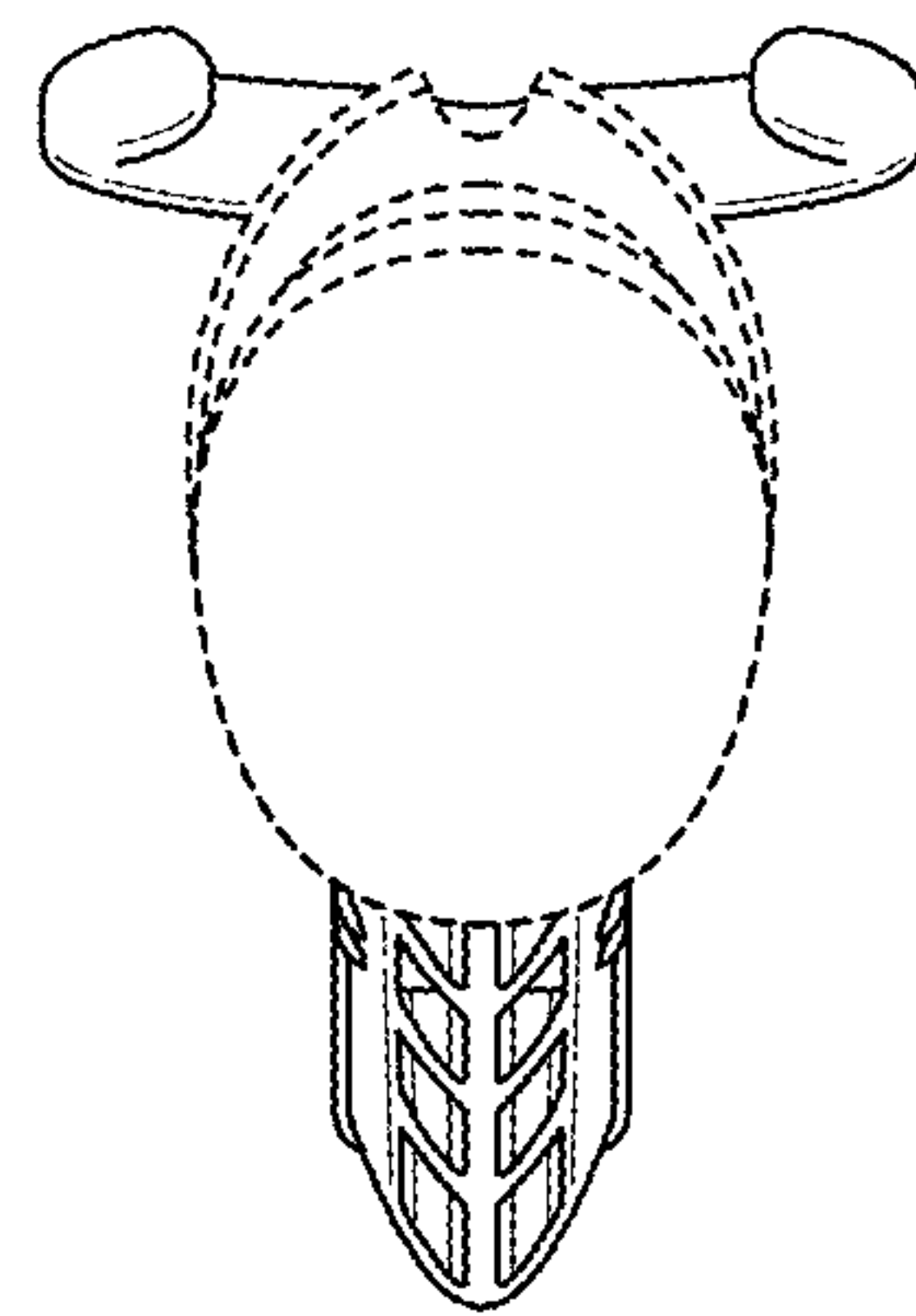


FIG. 12

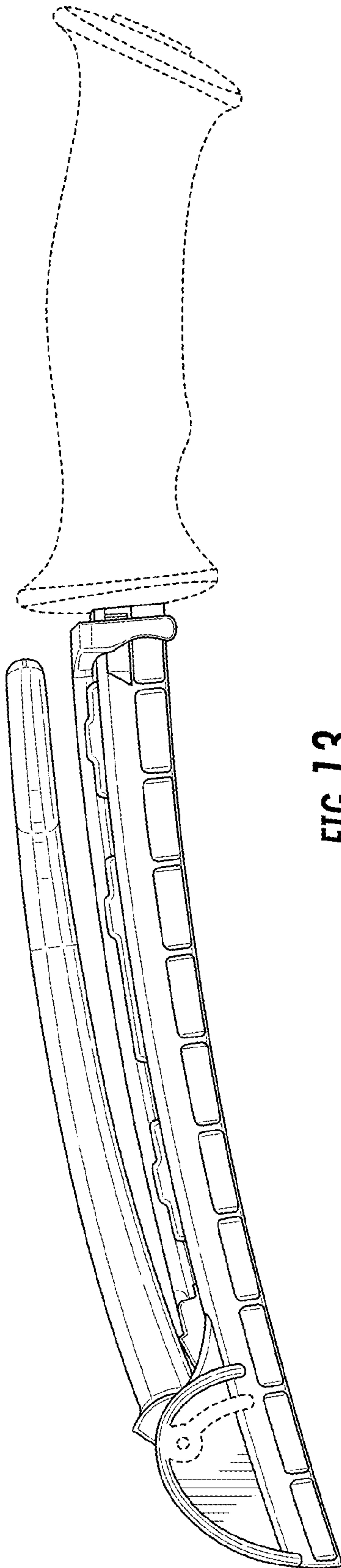


FIG. 13

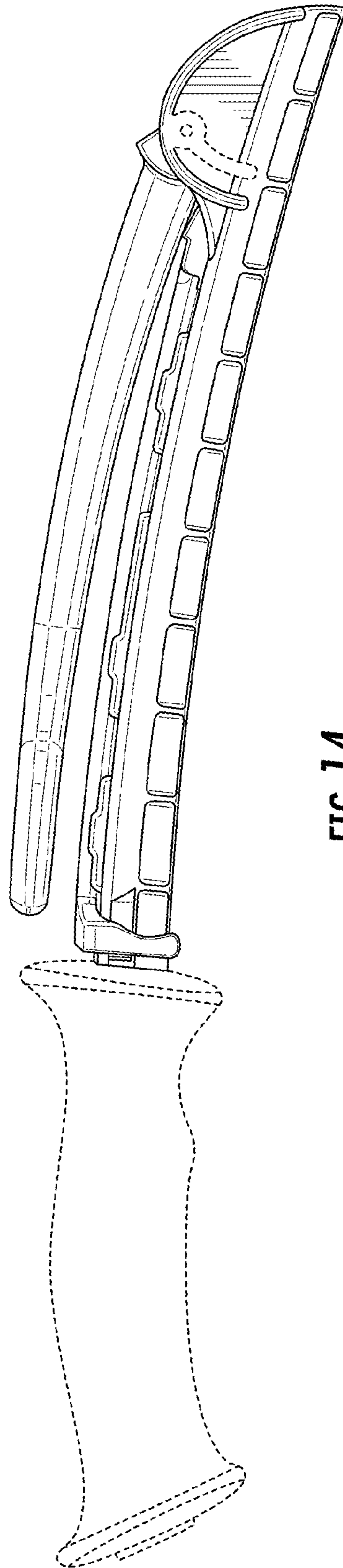


FIG. 14

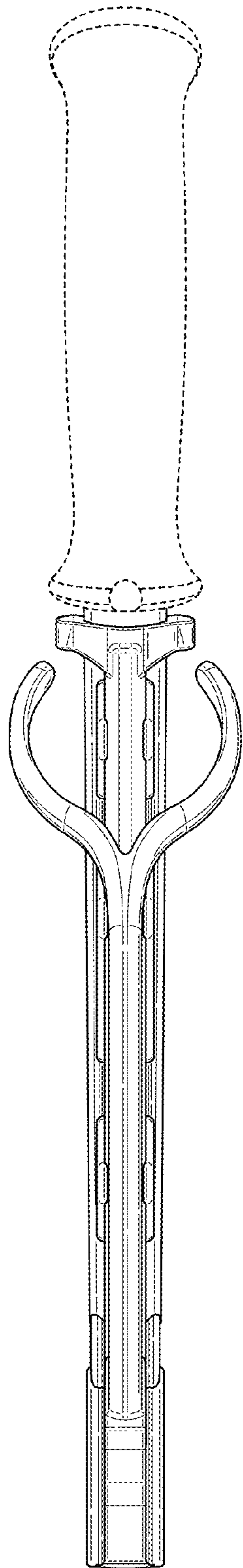


FIG. 15

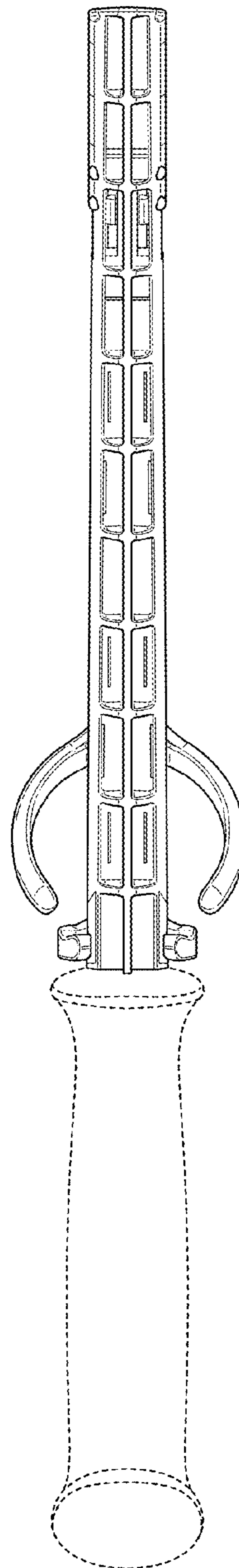


FIG. 16