

US00D758510S

(12) **United States Design Patent**  
**Hsieh**

(10) **Patent No.:** **US D758,510 S**  
(45) **Date of Patent:** **\*\* Jun. 7, 2016**

(54) **STATIONARY EXERCISE BICYCLE  
HANDLEBAR**

(71) Applicant: **Paradigm Health and Wellness**, City of Industry, CA (US)

(72) Inventor: **Jackson Hsieh**, City of Industry, CA (US)

(73) Assignee: **Paradigm Health & Wellness, Inc.**, City of Industry, CA (US)

(\*\*) Term: **14 Years**

(21) Appl. No.: **29/503,265**

(22) Filed: **Sep. 24, 2014**

(51) **LOC (10) Cl.** ..... **21-02**

(52) **U.S. Cl.**  
USPC ..... **D21/694**

(58) **Field of Classification Search**  
USPC ..... D21/663, 667, 666, 697, 694, 665, 668, D21/664; 482/61, 57, 58, 127, 133, 51, 9, 482/60, 904, 8, 1, 900, 63, 908; 188/24.11; 74/502.4, 502.6, 551.1, 551.8; D8/303; D12/178, 411  
CPC .. A63B 22/0605; A63B 69/16; A63B 21/225; Y10T 74/2078; Y10T 74/20822  
See application file for complete search history.

(56) **References Cited**

**U.S. PATENT DOCUMENTS**

D315,328 S *	3/1991	Giard, Jr.	.....	D12/178
D323,805 S *	2/1992	Giard, Jr.	.....	D12/178
D332,768 S *	1/1993	Giard, Jr.	.....	D12/178
D334,164 S *	3/1993	Klieber	.....	D12/178
D346,145 S *	4/1994	Jeshurun et al.	.....	D12/178
D449,808 S *	10/2001	Soto	.....	D12/178

D571,417 S *	6/2008	Su	.....	D21/667
D586,409 S *	2/2009	Keiser	.....	D21/667
D624,612 S *	9/2010	Watt	.....	D21/667
D636,449 S *	4/2011	Wu	.....	D21/667
D675,687 S *	2/2013	Fischer	.....	D21/663
D725,558 S *	3/2015	Klieber	.....	D12/178
2004/0060382 A1 *	4/2004	McColligan et al.	.....	74/551.8
2007/0151403 A1 *	7/2007	Andrews et al.	.....	74/551.1
2008/0168857 A1 *	7/2008	Chiang	.....	74/551.1
2011/0105282 A1 *	5/2011	Pinzon	.....	482/57

\* cited by examiner

*Primary Examiner* — Robert M Spear

*Assistant Examiner* — Ryan Harvey

(74) *Attorney, Agent, or Firm* — Fox Rothschild LLP

(57) **CLAIM**

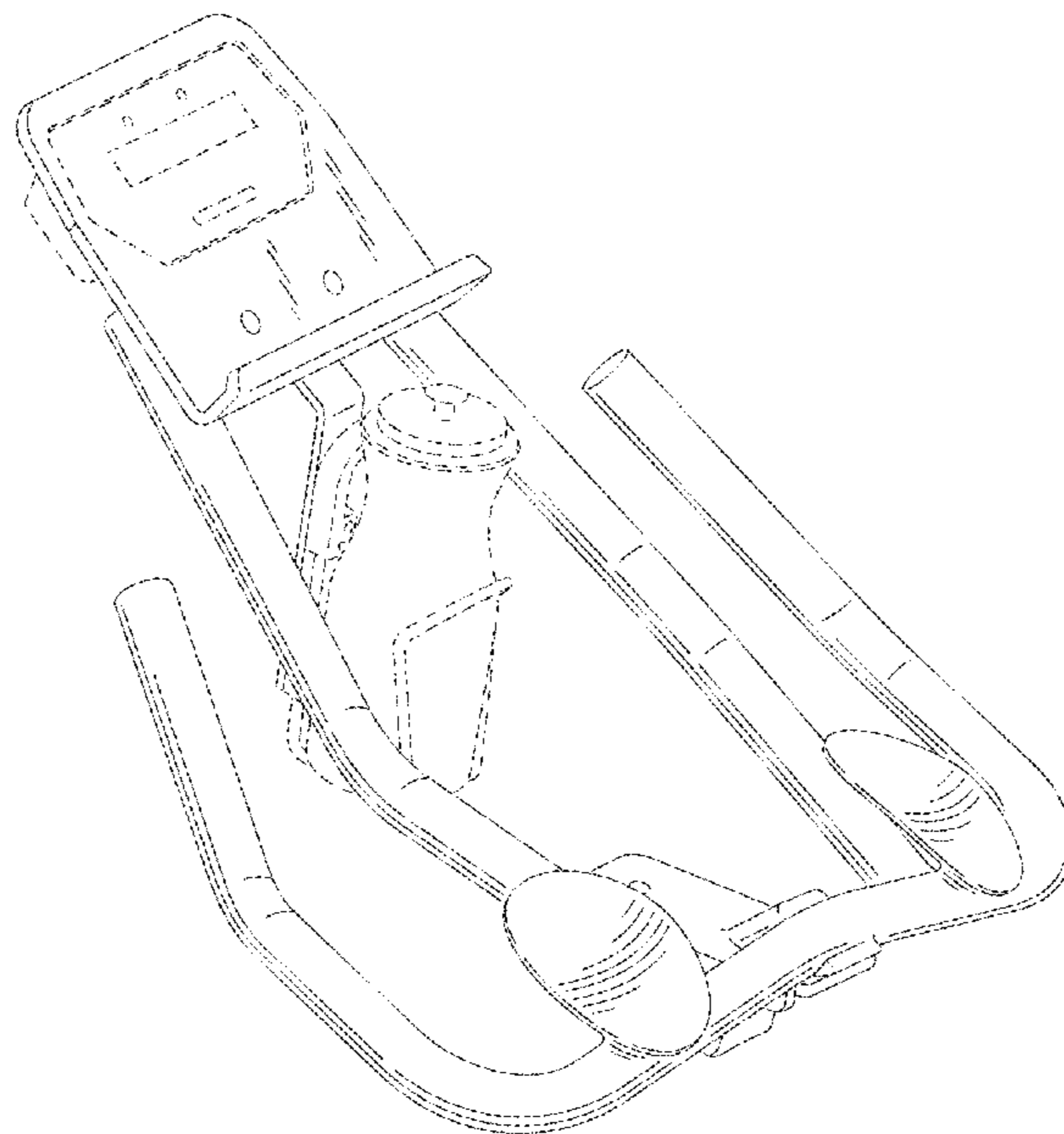
The ornamental design for a stationary exercise bicycle handlebar, as shown and described.

**DESCRIPTION**

FIG. 1 is a perspective view of a stationary exercise bicycle handlebar showing my new design;  
FIG. 2 is a front view of the stationary exercise bicycle handlebar of FIG. 1;  
FIG. 3 is a rear view of the stationary exercise bicycle handlebar of FIG. 1;  
FIG. 4 is a right side view of the stationary exercise bicycle handlebar of FIG. 1, the left side view being a mirror image thereof;  
FIG. 5 is a top view of the stationary exercise bicycle handlebar of FIG. 1; and,  
FIG. 6 is a bottom view of the stationary exercise bicycle handlebar of FIG. 1.

The broken lines illustrate portions of the stationary exercise bicycle handlebar and are environmental and form no part of the claimed design.

**1 Claim, 6 Drawing Sheets**



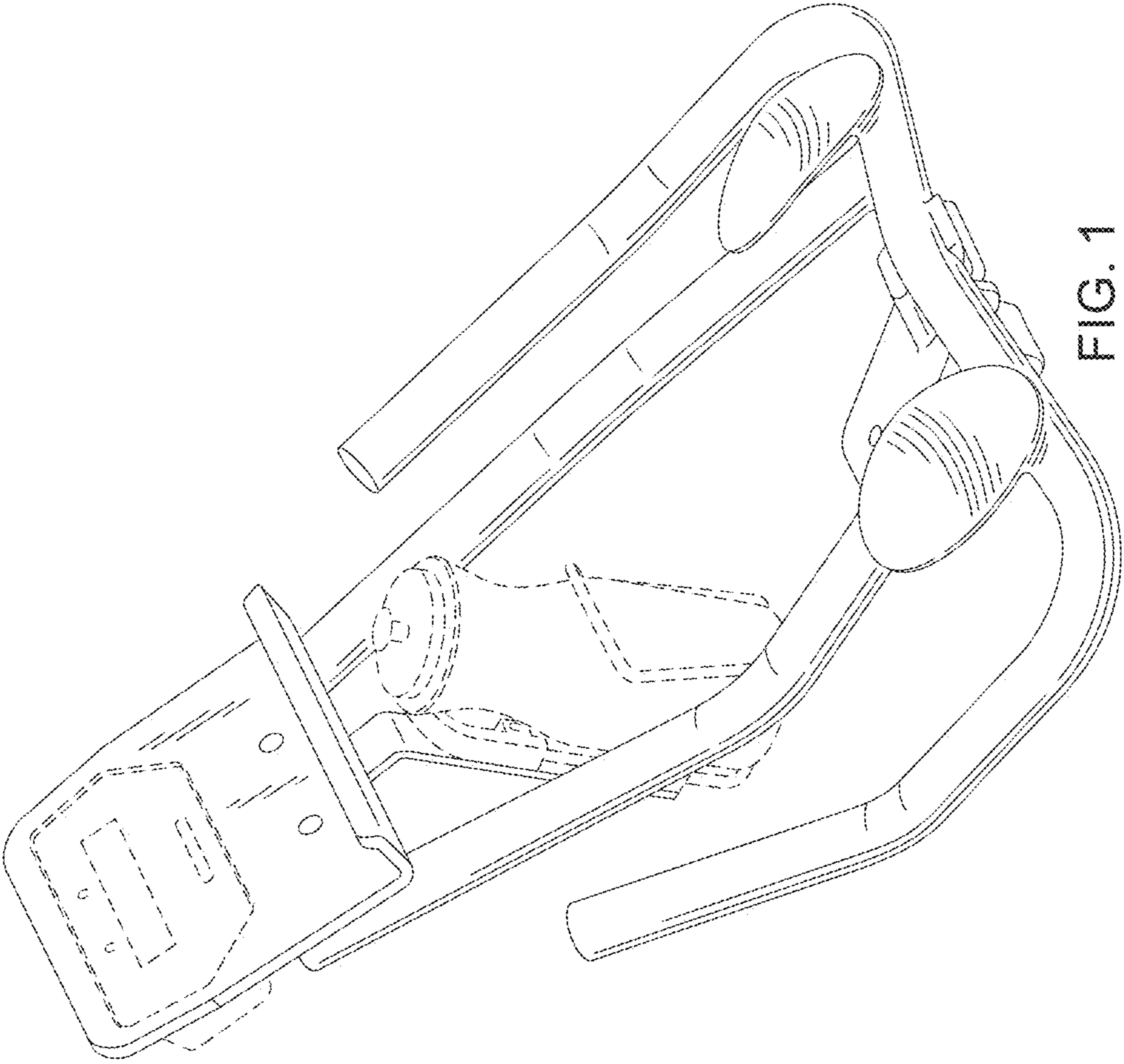


FIG. 1

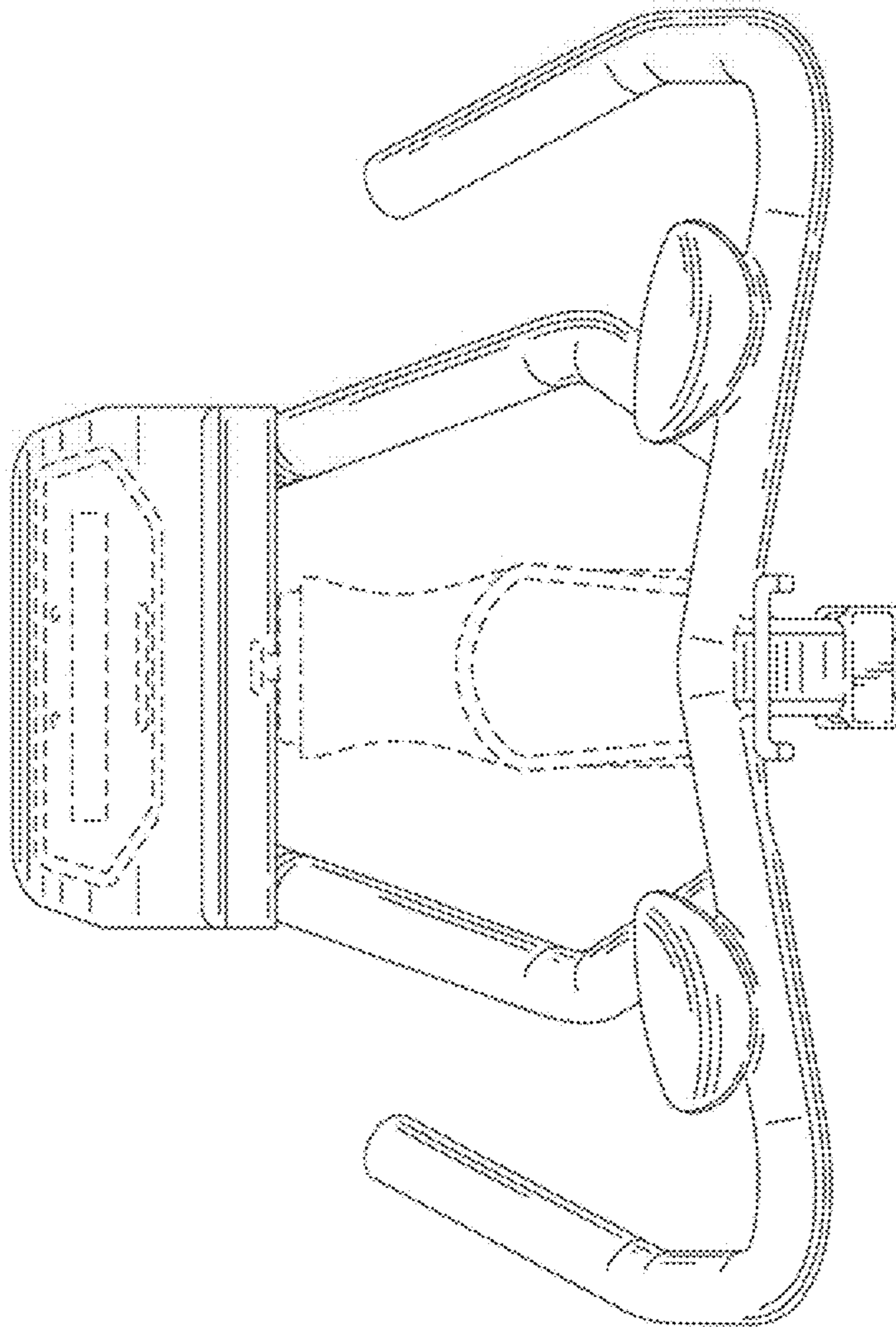


FIG. 2

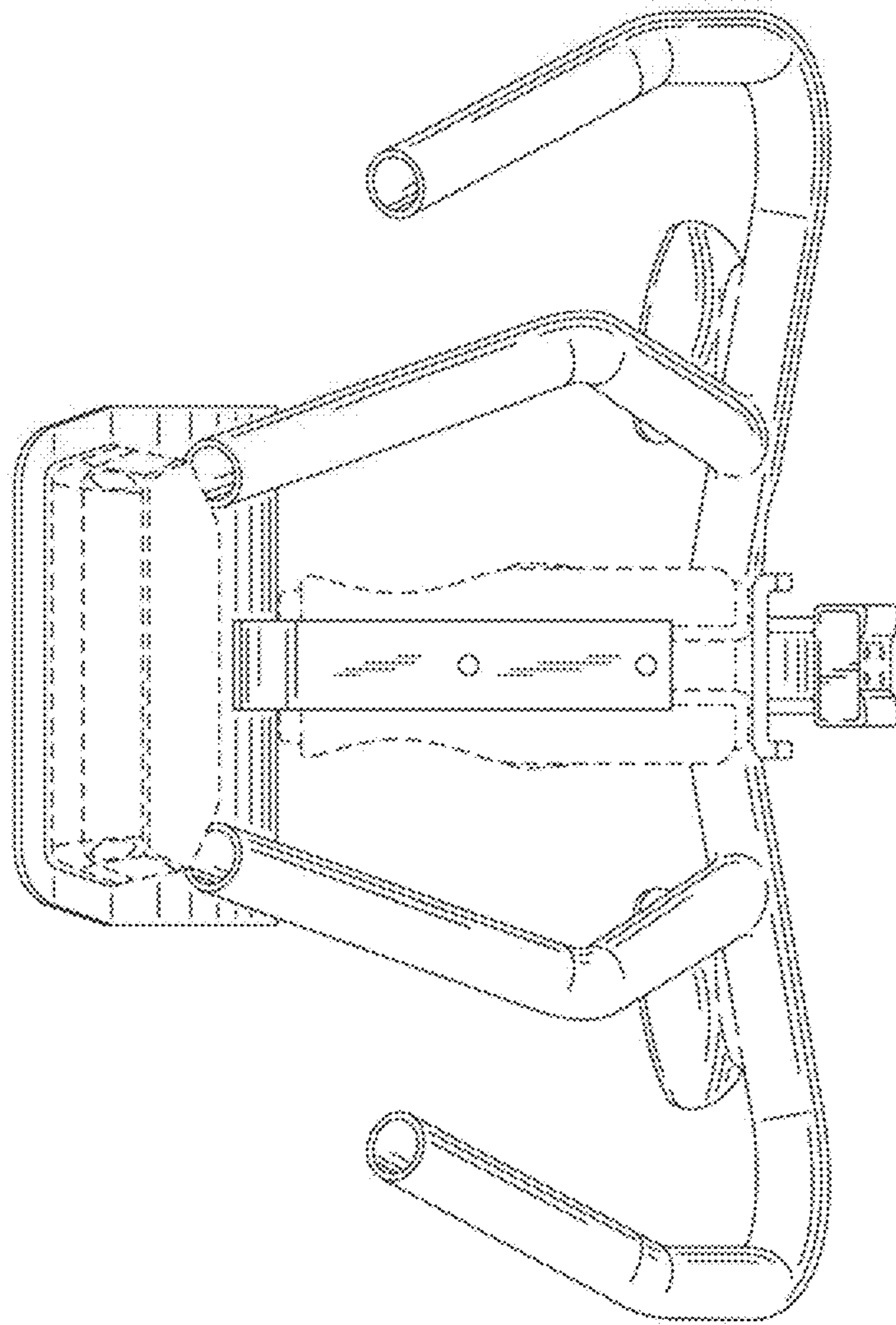


FIG. 3

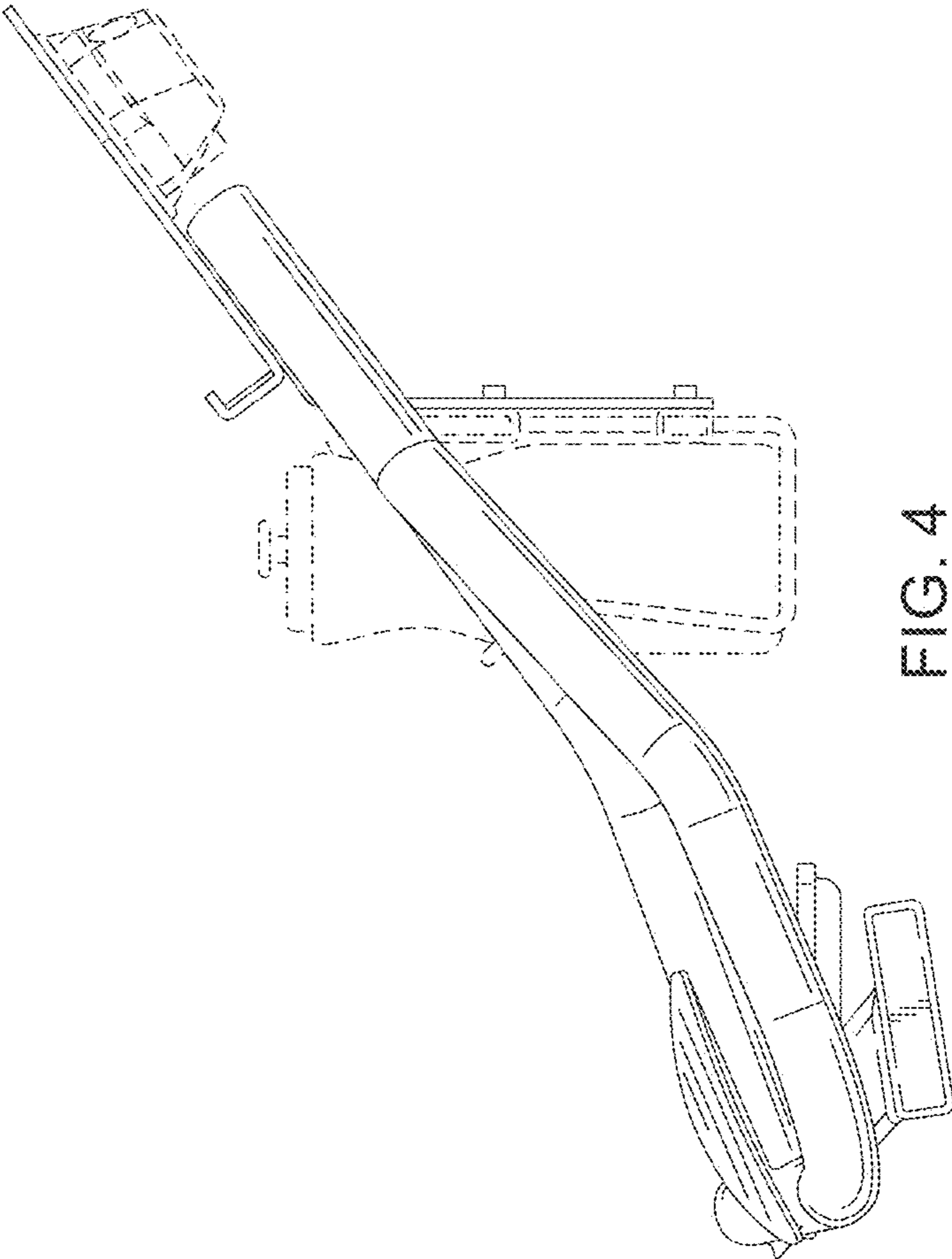


FIG. 4

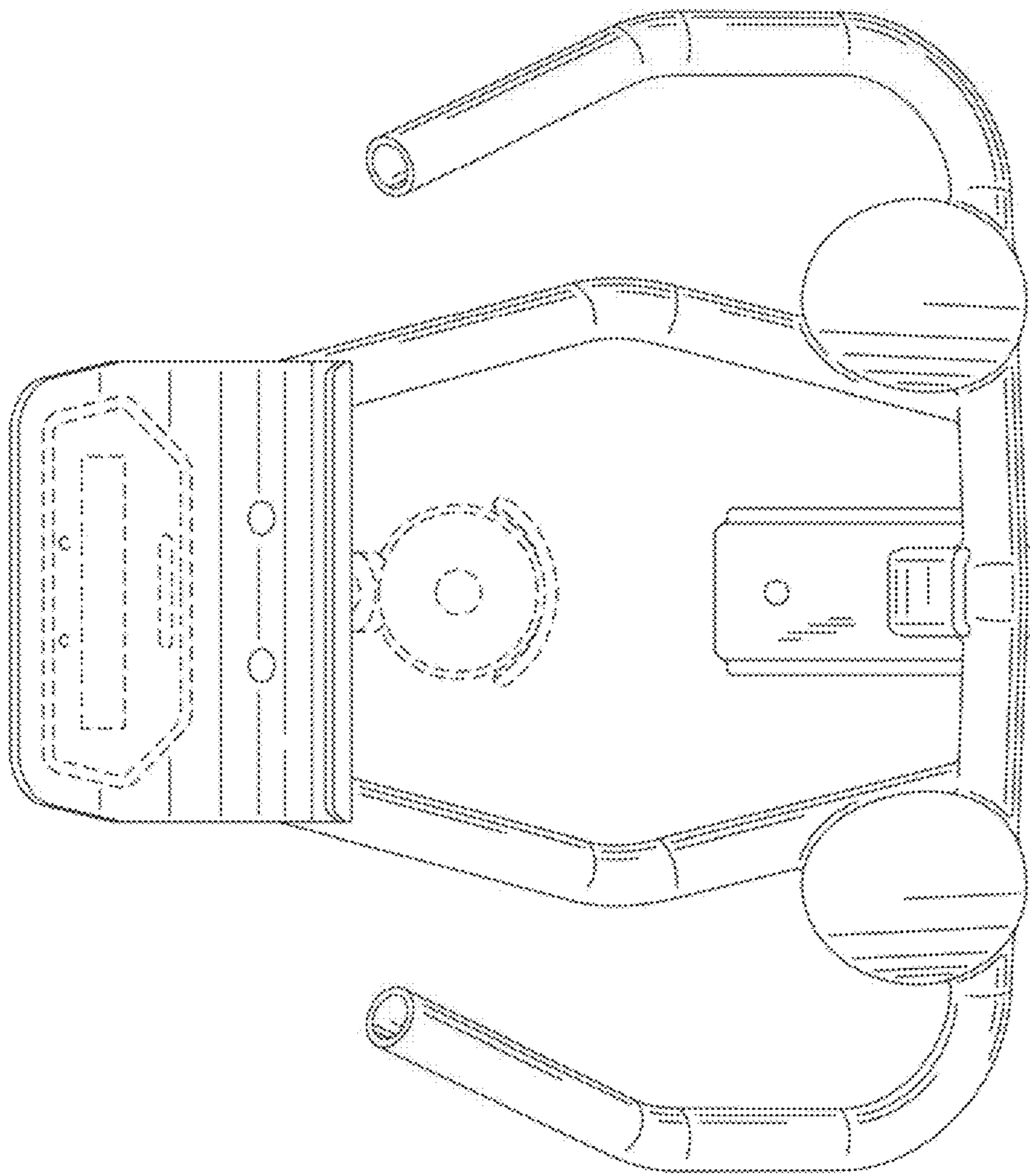


FIG. 5

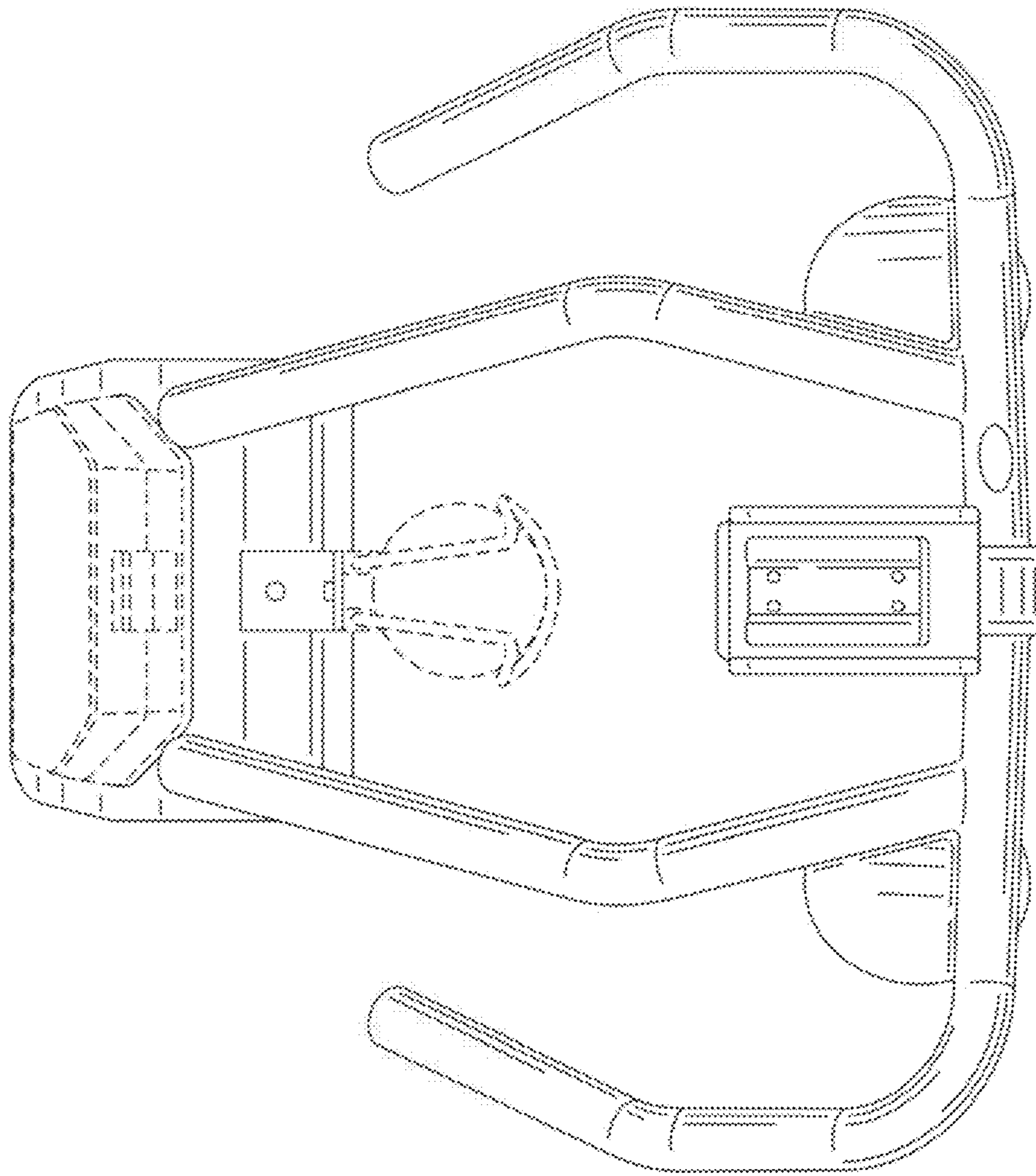


FIG. 6