



US00D758505S

(12) **United States Design Patent**
Evans

(10) **Patent No.:** **US D758,505 S**
(45) **Date of Patent:** **** Jun. 7, 2016**

- (54) **GUN BARREL COVER**
- (71) Applicant: **HTR Development, LLC**, Gotha, FL
(US)
- (72) Inventor: **Edward Evans**, Whitby (CA)
- (73) Assignee: **HTR Development, LLC**, Gotha, FL
(US)
- (**) Term: **14 Years**
- (21) Appl. No.: **29/506,588**
- (22) Filed: **Oct. 17, 2014**
- (51) **LOC (10) Cl.** **21-01**
- (52) **U.S. Cl.**
USPC **D21/573**
- (58) **Field of Classification Search**
USPC D21/570–575; D22/108, 109; D24/130;
89/30, 31; 124/80, 83; 47/70.01, 70.11,
47/96; 42/96
CPC F41A 21/00; F41A 21/26; F41A 17/00;
F41A 17/44; F41A 27/00
See application file for complete search history.

(56) **References Cited**

U.S. PATENT DOCUMENTS

- 2,385,051 A * 9/1945 Berlin F41A 35/04
42/96
- D271,126 S * 10/1983 Doak 42/96
- 6,176,032 B1 * 1/2001 Cohen F41A 17/44
42/96
- 6,289,623 B1 * 9/2001 Cohen F41A 21/26
102/485
- 7,210,389 B2 * 5/2007 Ho F41B 11/00
124/83
- 7,421,935 B2 * 9/2008 Ho F41A 17/44
124/80
- 7,451,681 B2 * 11/2008 Ho F41A 17/44
124/80

- D596,289 S * 7/2009 Kawamura D24/130
- D596,290 S * 7/2009 Kawamura D24/130
- 7,963,063 B2 * 6/2011 Camarillo F41A 35/04
42/96
- D687,906 S * 8/2013 Riley D21/573
- 2005/0183321 A1 * 8/2005 Brown F41F 3/077
42/96
- 2006/0277812 A1 * 12/2006 Cole F41A 35/04
42/96

* cited by examiner

Primary Examiner — Cynthia M Chin

(74) *Attorney, Agent, or Firm* — Woodard, Emhardt,
Moriarty, McNett & Henry LLP

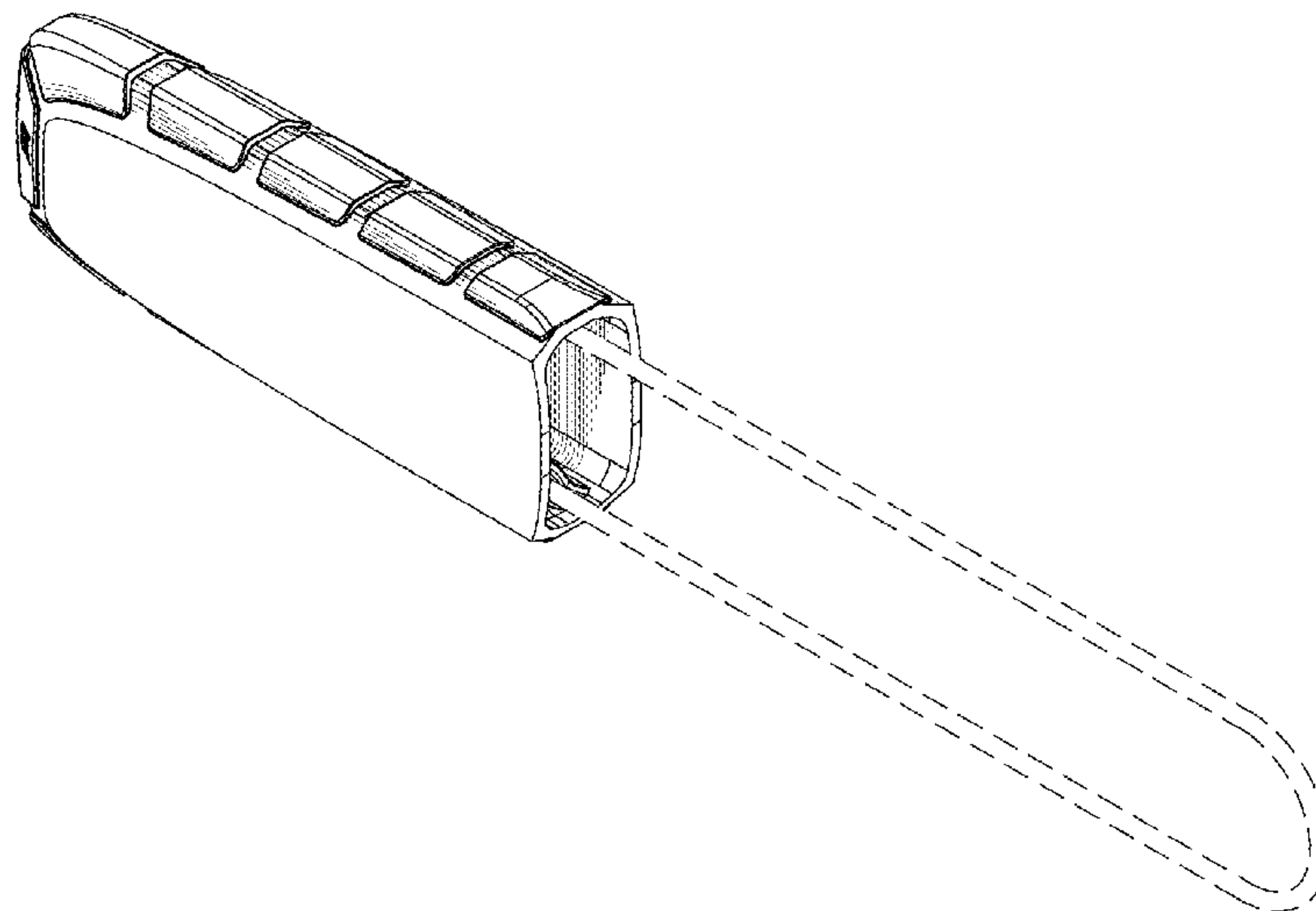
(57) **CLAIM**

The ornamental design for a gun barrel cover, as shown and described.

DESCRIPTION

FIG. 1 is a perspective view of a gun barrel cover, with the extending string in phantom lines.
 FIG. 2 is another perspective view of the barrel cover of FIG. 1.
 FIG. 3 is a top plan view of the barrel cover of FIG. 1.
 FIG. 4 is a right side elevational view of the barrel cover of FIG. 1.
 FIG. 5 is a bottom plan view of the barrel cover of FIG. 1.
 FIG. 6 is a left side elevational view of the barrel cover of FIG. 1.
 FIG. 7 is a rear view of the barrel cover of FIG. 1, e.g. viewed from the left side of FIG. 3.
 FIG. 8 is a front view of the barrel cover of FIG. 1, e.g. viewed from the right side of FIG. 3; and,
 FIG. 9 is the front view of FIG. 8 with the extending string removed so as to more clearly show the visible inner end surface of the barrel cover of FIG. 1.
 The broken lines represent portions of the article that form no part of the claim.

1 Claim, 3 Drawing Sheets



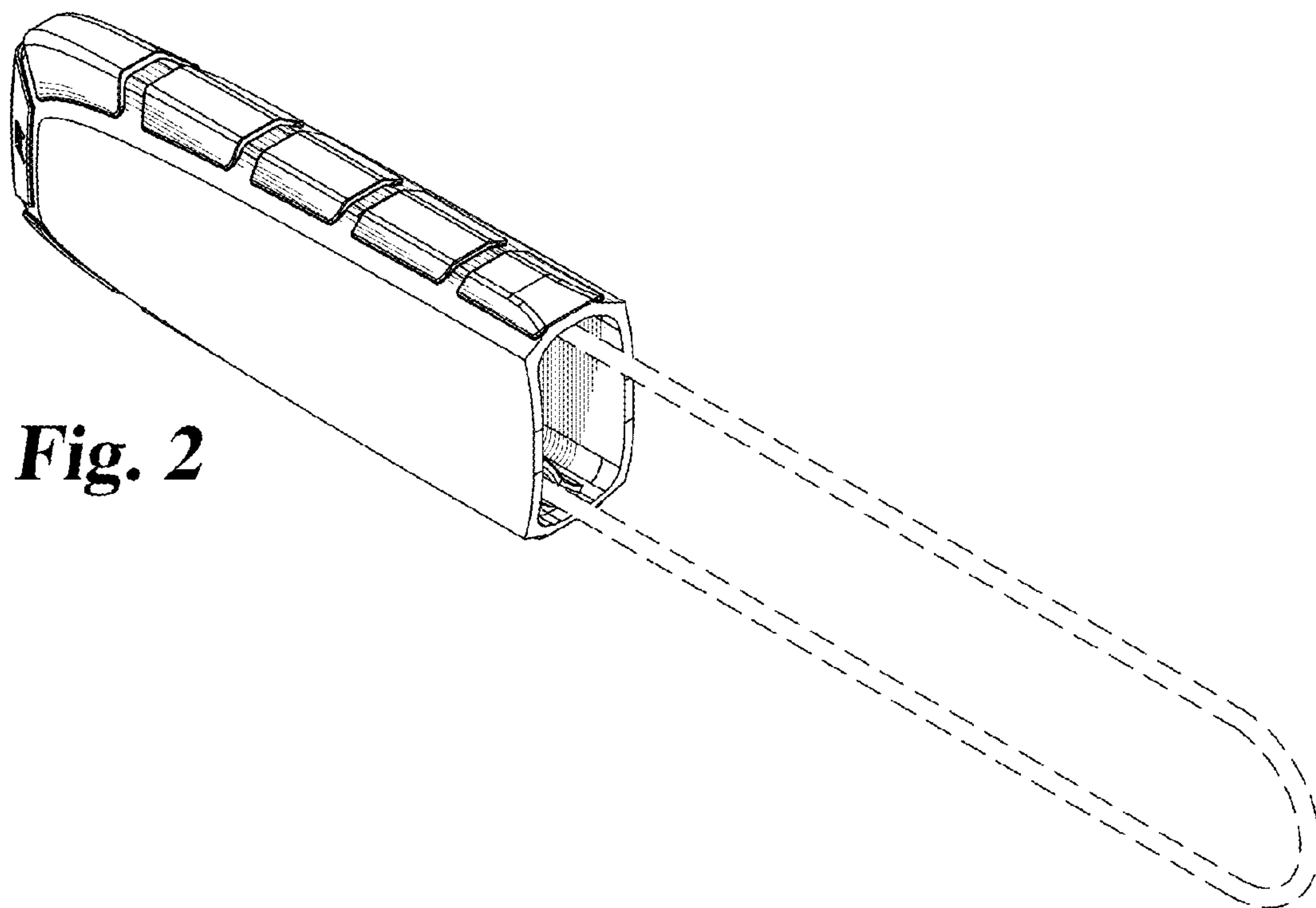
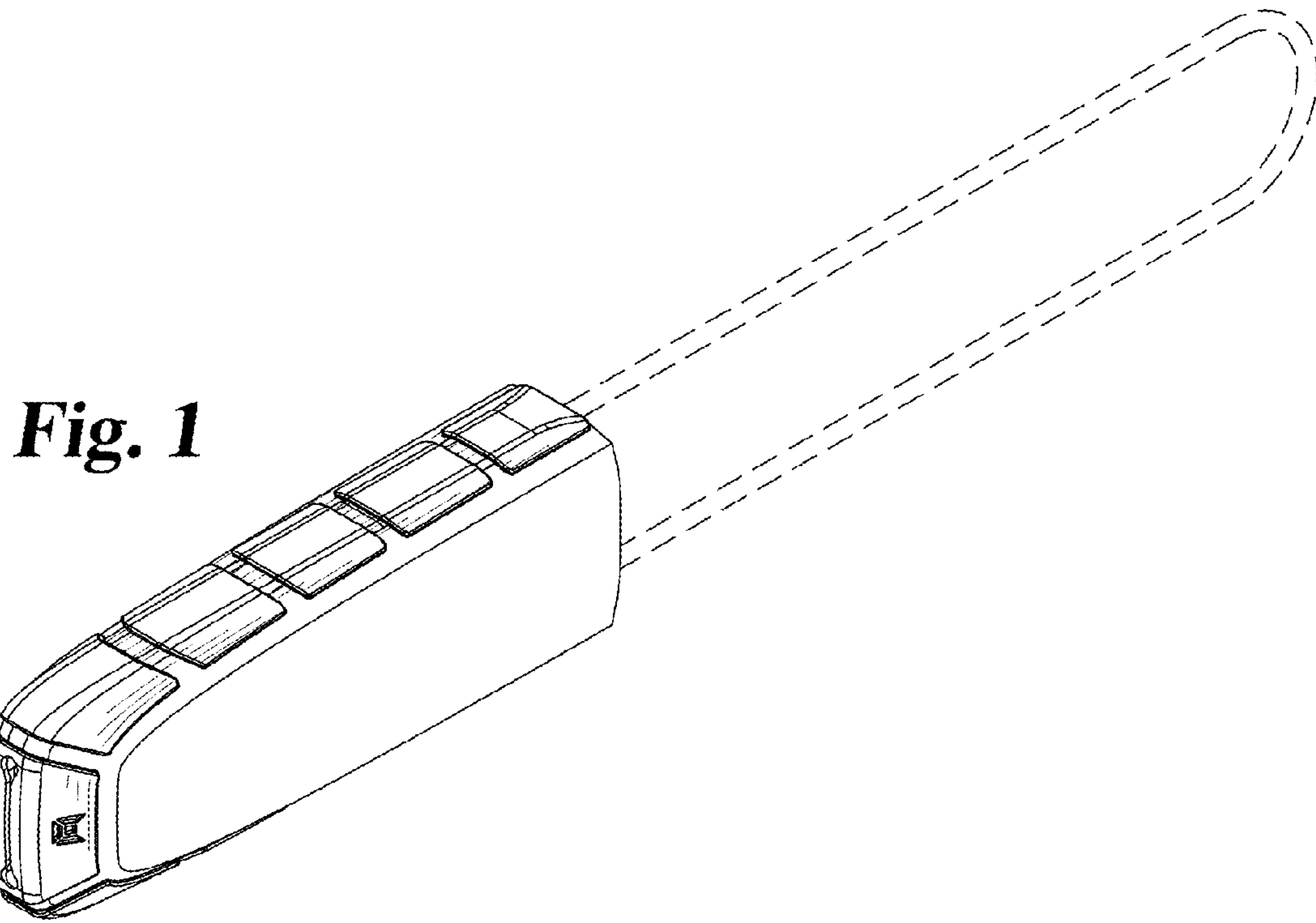


Fig. 3

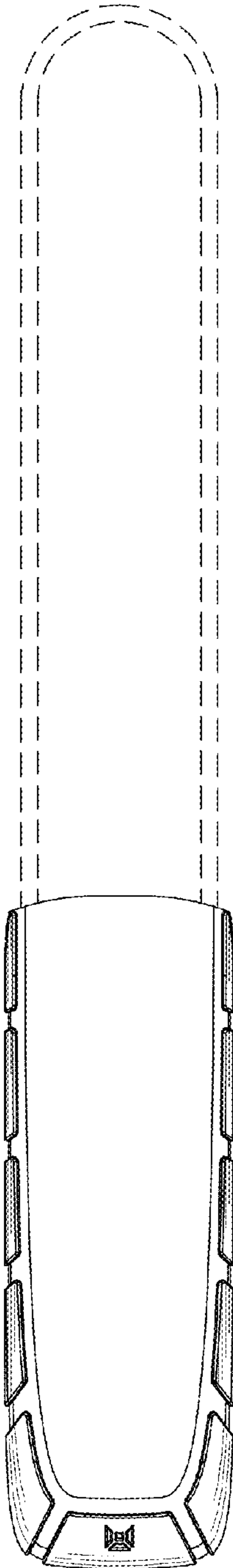


Fig. 4

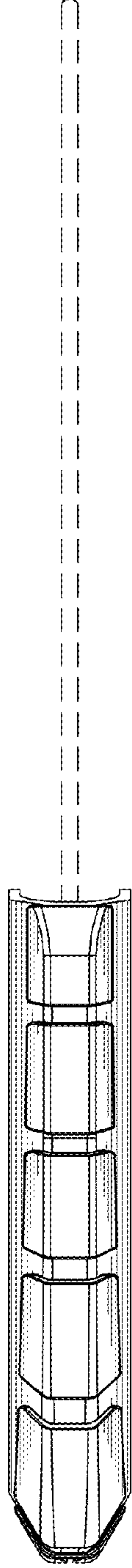


Fig. 5

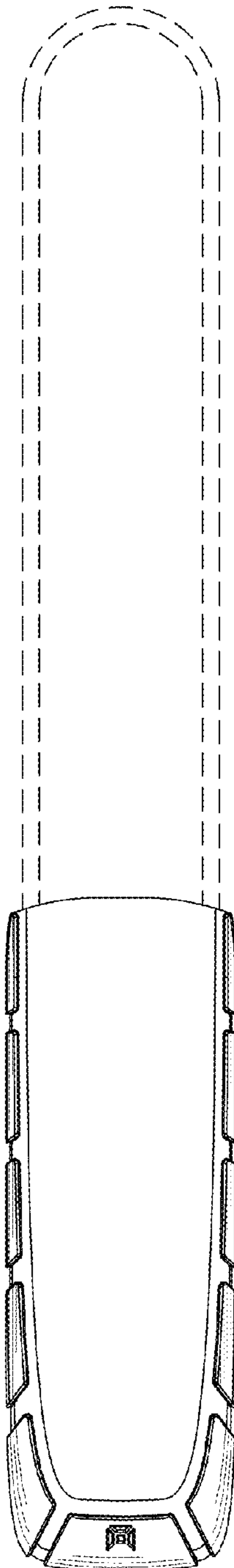


Fig. 6

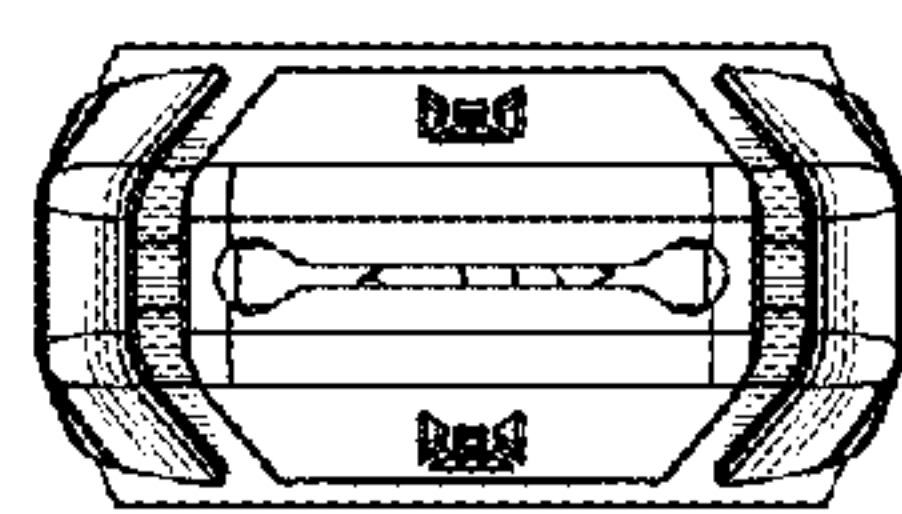
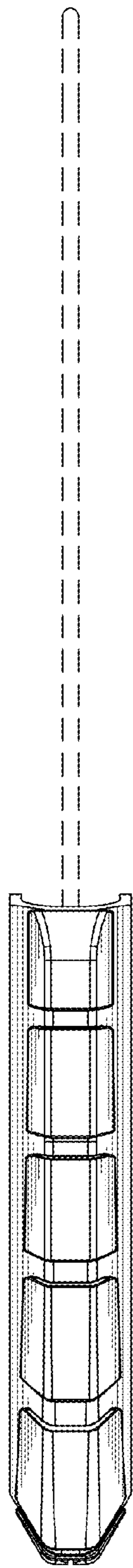


Fig. 7

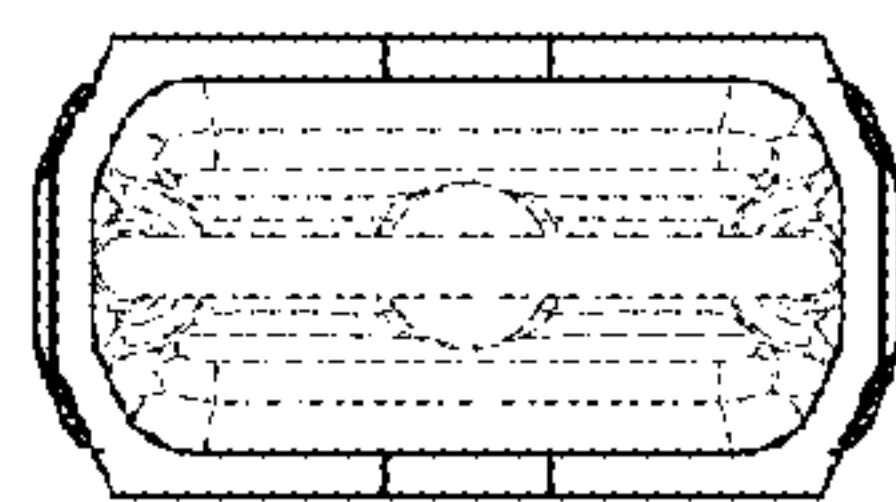


Fig. 8

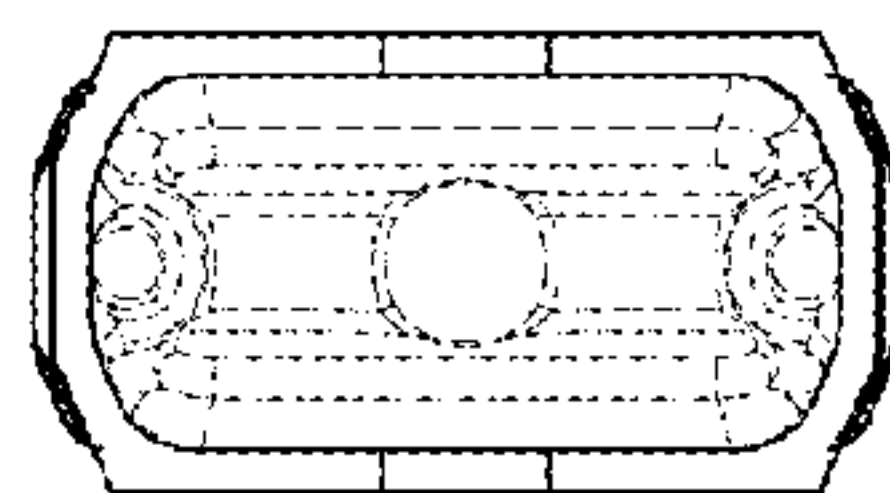


Fig. 9