



US00D758504S

(12) **United States Design Patent**
Shimoda et al.

(10) **Patent No.:** **US D758,504 S**
(45) **Date of Patent:** **** Jun. 7, 2016**

(54) **WATCH SHAPED TOY**

(56) **References Cited**

(71) Applicant: **BANDAI CO., LTD.**, Tokyo (JP)

U.S. PATENT DOCUMENTS

(72) Inventors: **Tatsuhiko Shimoda**, Tokyo (JP); **Hiroki Matsui**, Tokyo (JP); **Shinnosuke Terai**, Tokyo (JP)

4,396,296	A *	8/1983	Stodden	G04B 37/1486 368/101
D275,586	S *	9/1984	Matsuda	446/376
D288,343	S *	2/1987	Ogawa	D21/531
D326,124	S *	5/1992	Thomson	D21/531
D434,334	S *	11/2000	Wunderman	D10/30
D722,653	S *	2/2015	Nishizawa	D21/398
D740,138	S *	10/2015	Goto	D10/39
D741,202	S *	10/2015	Goto	D10/30
D742,762	S *	11/2015	Syoubayashi	D10/126
D742,763	S *	11/2015	Hashimoto	D10/126
9,202,090	B2 *	12/2015	Matsui	G06K 7/047

(73) Assignee: **BANDAI CO., LTD.**, Tokyo (JP)

(**) Term: **14 Years**

* cited by examiner

(21) Appl. No.: **29/504,011**

Primary Examiner — George D Kirschbaum

(22) Filed: **Oct. 1, 2014**

Assistant Examiner — Jennifer Watkins

(30) **Foreign Application Priority Data**

(74) *Attorney, Agent, or Firm* — Rabin & Berdo, P.C.

Apr. 1, 2014 (JP) 2014-007185

(57) **CLAIM**

(51) **LOC (10) Cl.** **21-01**

The ornamental design for watch-shaped toy, as shown and described.

(52) **U.S. Cl.**

DESCRIPTION

USPC **D21/531**

FIG. 1 is a perspective view of a watch-shaped toy;
FIG. 2 is a front view thereof;
FIG. 3 is a rear view thereof;
FIG. 4 is a top view thereof;
FIG. 5 is a bottom view thereof;
FIG. 6 is a right side view thereof; and,
FIG. 7 is a left side view thereof.
The broken lines in the drawings are for the purpose of illustrating portions of a watch-shaped toy that form no part of the claim.

(58) **Field of Classification Search**

USPC D21/398, 531; D10/30, 31, 32, 38, 39

CPC A63H 13/00; G04B 19/23; G04B 37/14;

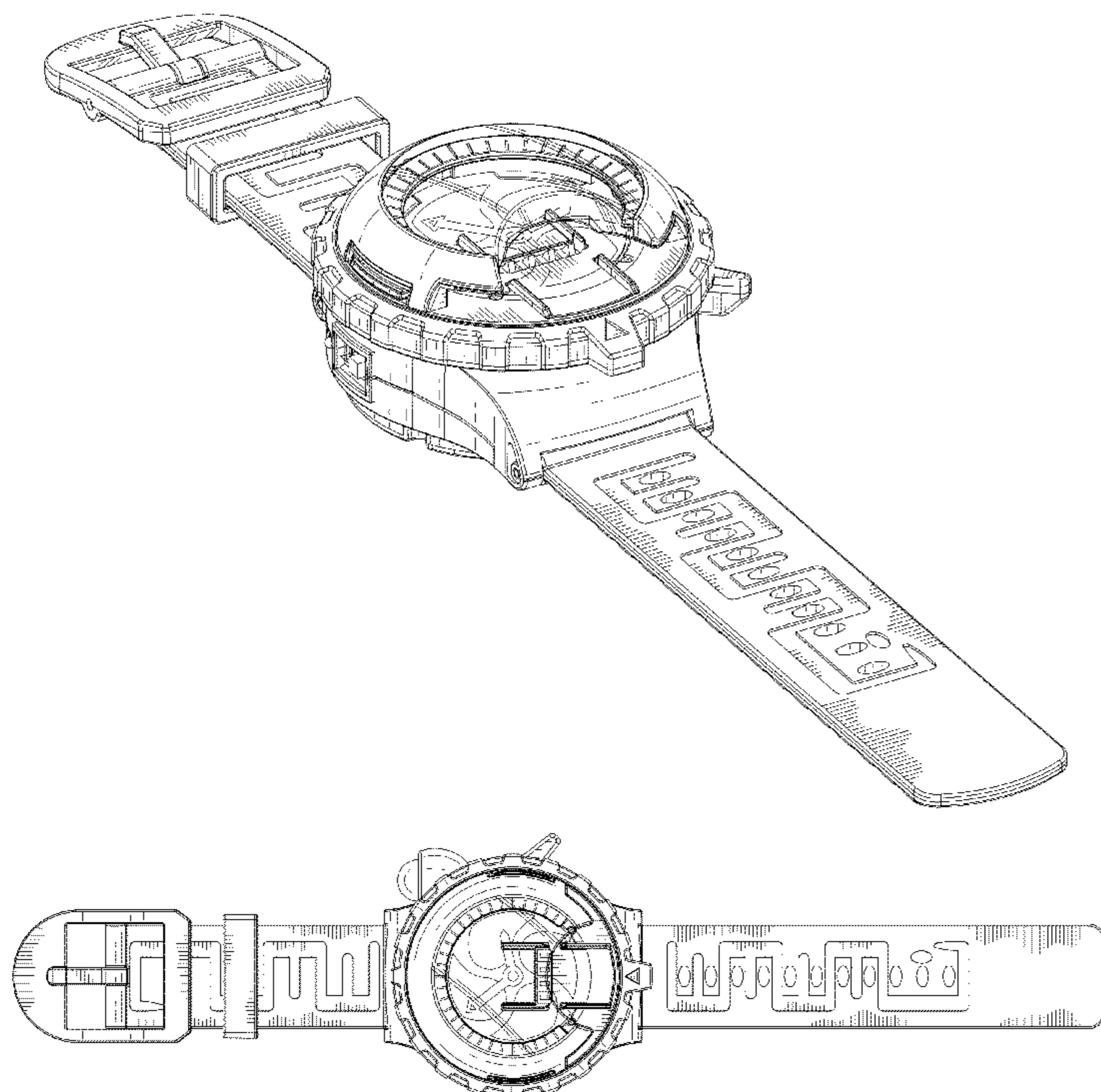
G04B 37/1486; G04B 19/00; G04B 37/0008;

G04B 37/084; G04G 17/08; G04R 60/12;

G04R 60/08; G04R 60/10; G04F 7/08

See application file for complete search history.

1 Claim, 4 Drawing Sheets



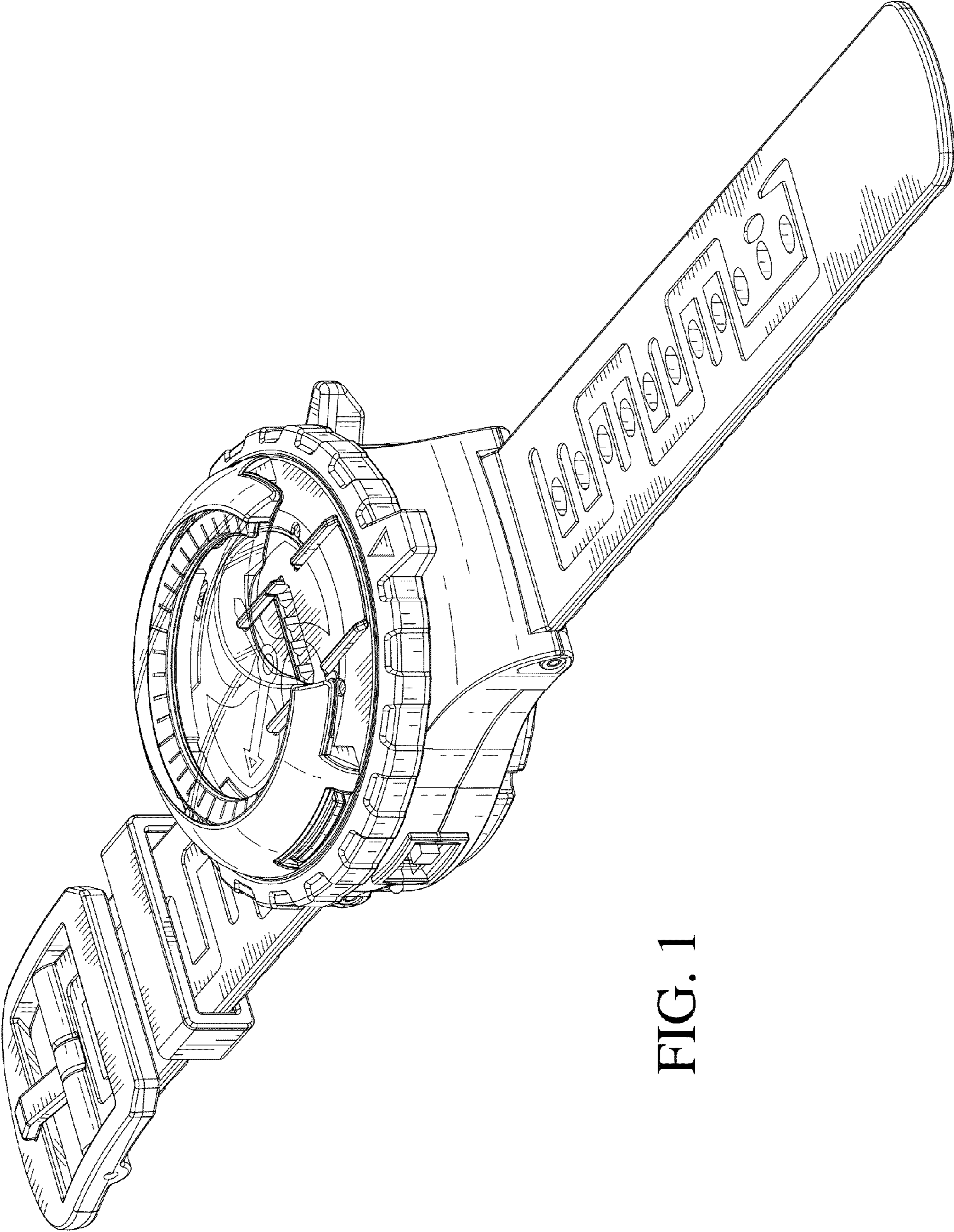


FIG. 1

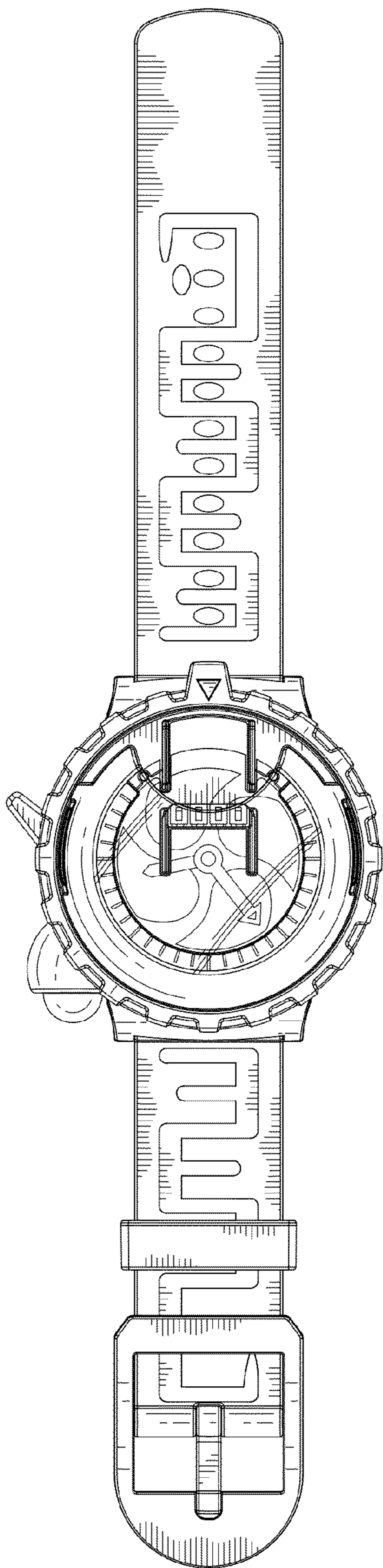


FIG. 2

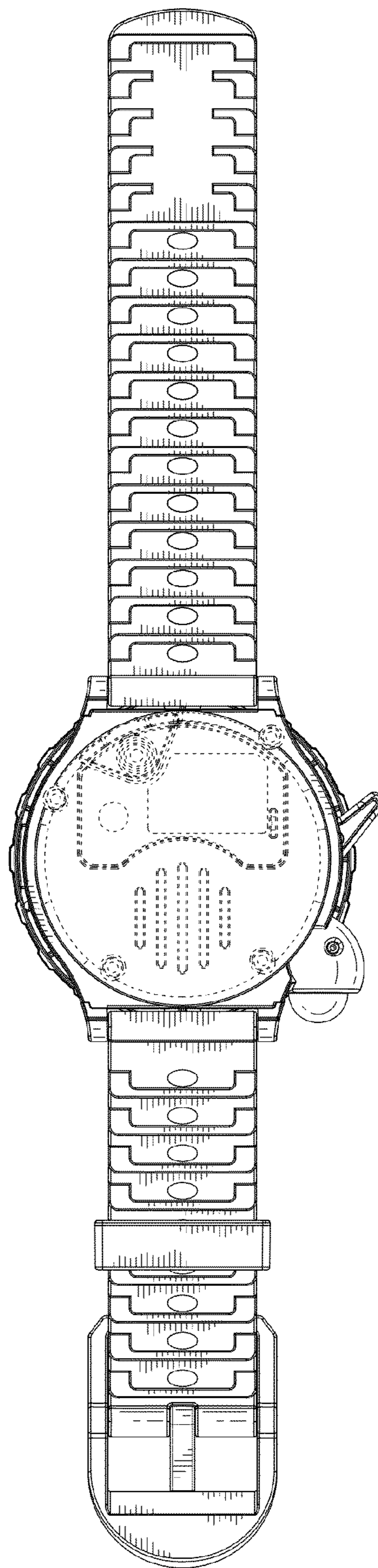


FIG. 3

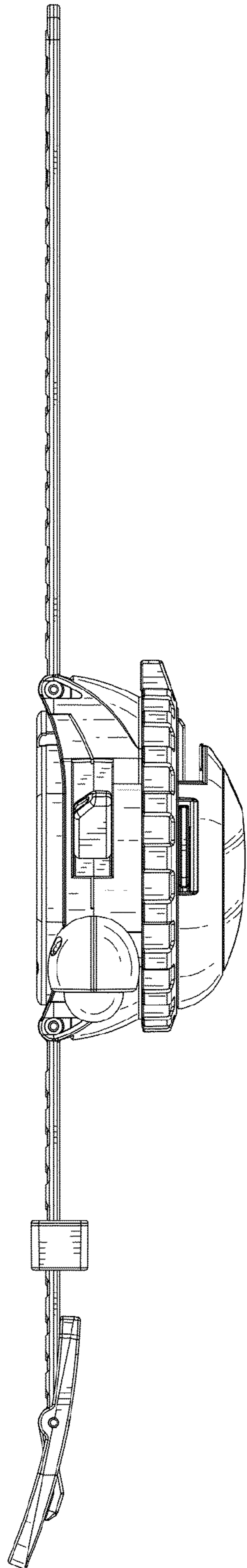


FIG. 4

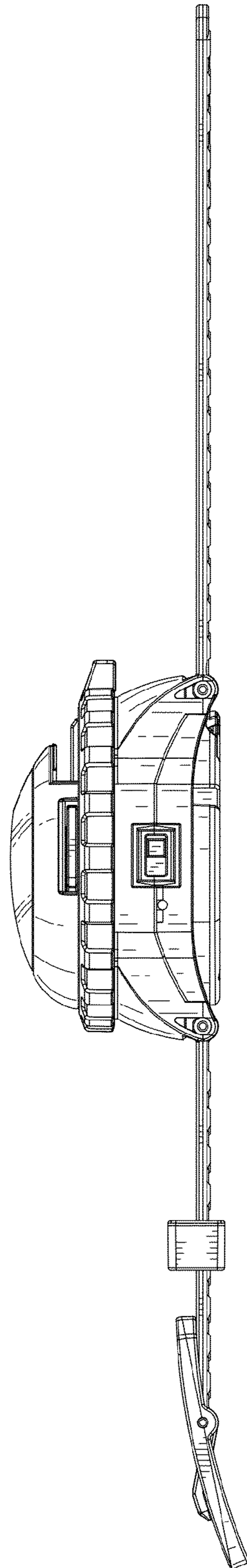


FIG. 5

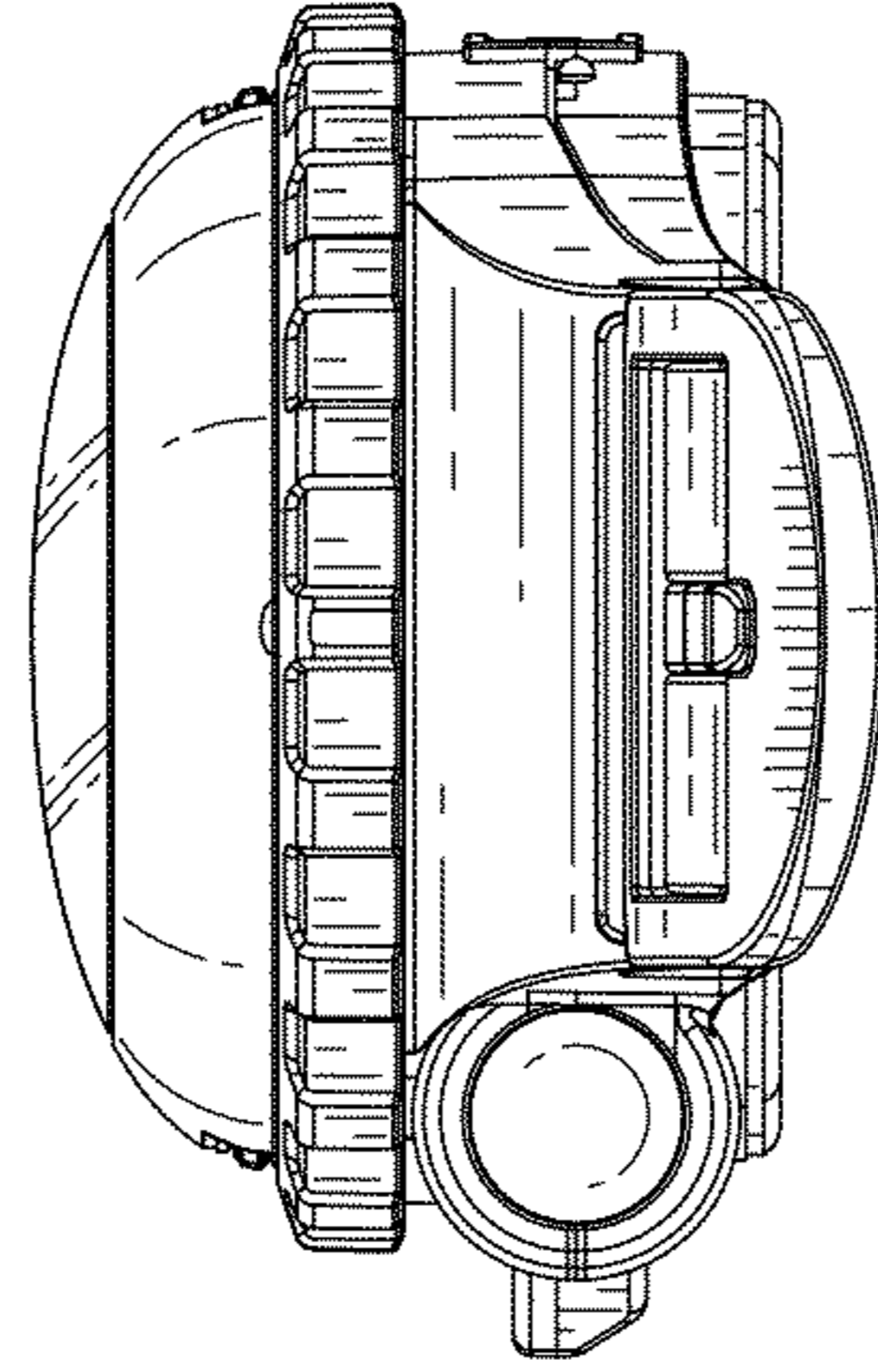


FIG. 7

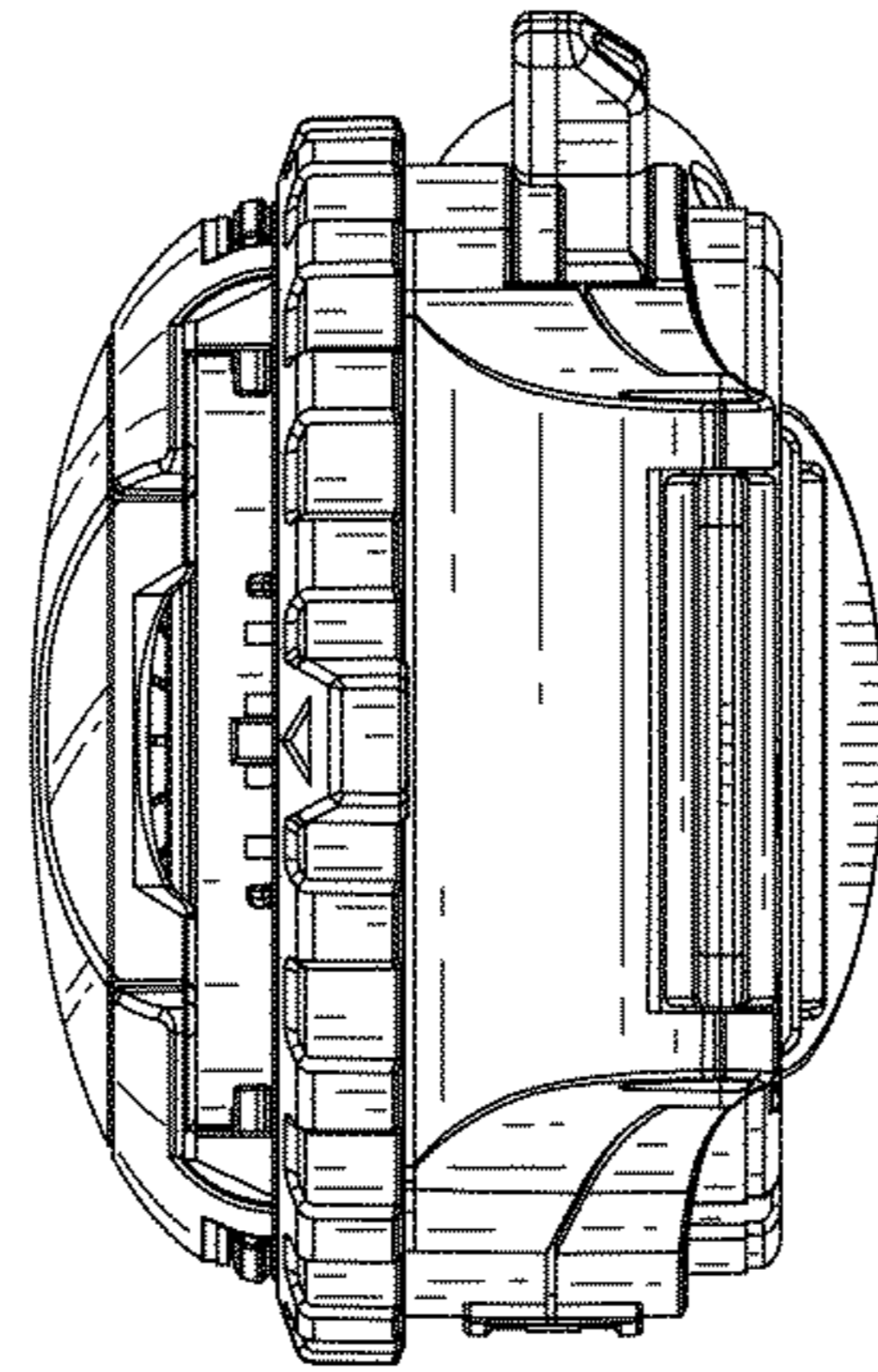


FIG. 6