



US00D758503S

(12) **United States Design Patent**
Sorensen

(10) **Patent No.:** **US D758,503 S**
(45) **Date of Patent:** **** Jun. 7, 2016**

(54) **TRIANGULAR TOY BUILDING ELEMENT**

(71) Applicant: **Soren Christian Sorensen**, San Diego,
CA (US)

(72) Inventor: **Soren Christian Sorensen**, San Diego,
CA (US)

(**) Term: **15 Years**

(21) Appl. No.: **29/527,432**

(22) Filed: **May 19, 2015**

(51) **LOC (10) Cl.** **21-01**

(52) **U.S. Cl.**
USPC **D21/505**

(58) **Field of Classification Search**
USPC D21/386, 389, 404, 468, 470, 471,
D21/484-505; 446/69, 85, 102-128;
434/208, 259, 403; 273/153, 156, 160;
D25/113-116, 118

CPC A63H 33/00; A63H 33/04; A63H 33/06;
A63H 33/08; A63H 33/084; A63H 33/086;
A63H 33/088; A63H 33/10; A63H 33/105;
A63H 33/108; A63H 33/52

See application file for complete search history.

(56) **References Cited**

U.S. PATENT DOCUMENTS

D212,267 S *	9/1968	Dreyfuss	D6/680
D234,706 S *	4/1975	Harvey	D21/489
4,385,467 A *	5/1983	Samuels	A63F 9/1011 273/157 R
4,964,834 A *	10/1990	Myller	A63H 33/086 446/118
D311,939 S *	11/1990	Andersen	D21/505
D313,438 S *	1/1991	Andersen	D21/503
D327,511 S *	6/1992	Castillo	D21/386
D350,791 S *	9/1994	Refsing	D21/504
D380,787 S *	7/1997	Gabriel	D21/489
D380,790 S *	7/1997	Gabriel	D21/489
D380,792 S *	7/1997	Gabriel	D21/489
6,186,856 B1 *	2/2001	Chen	A63H 33/04 446/117

* cited by examiner

Primary Examiner — Cynthia M Chin

(74) *Attorney, Agent, or Firm* — Edward W. Callan

(57) **CLAIM**

I claim the ornamental design for a triangular toy building element, as shown.

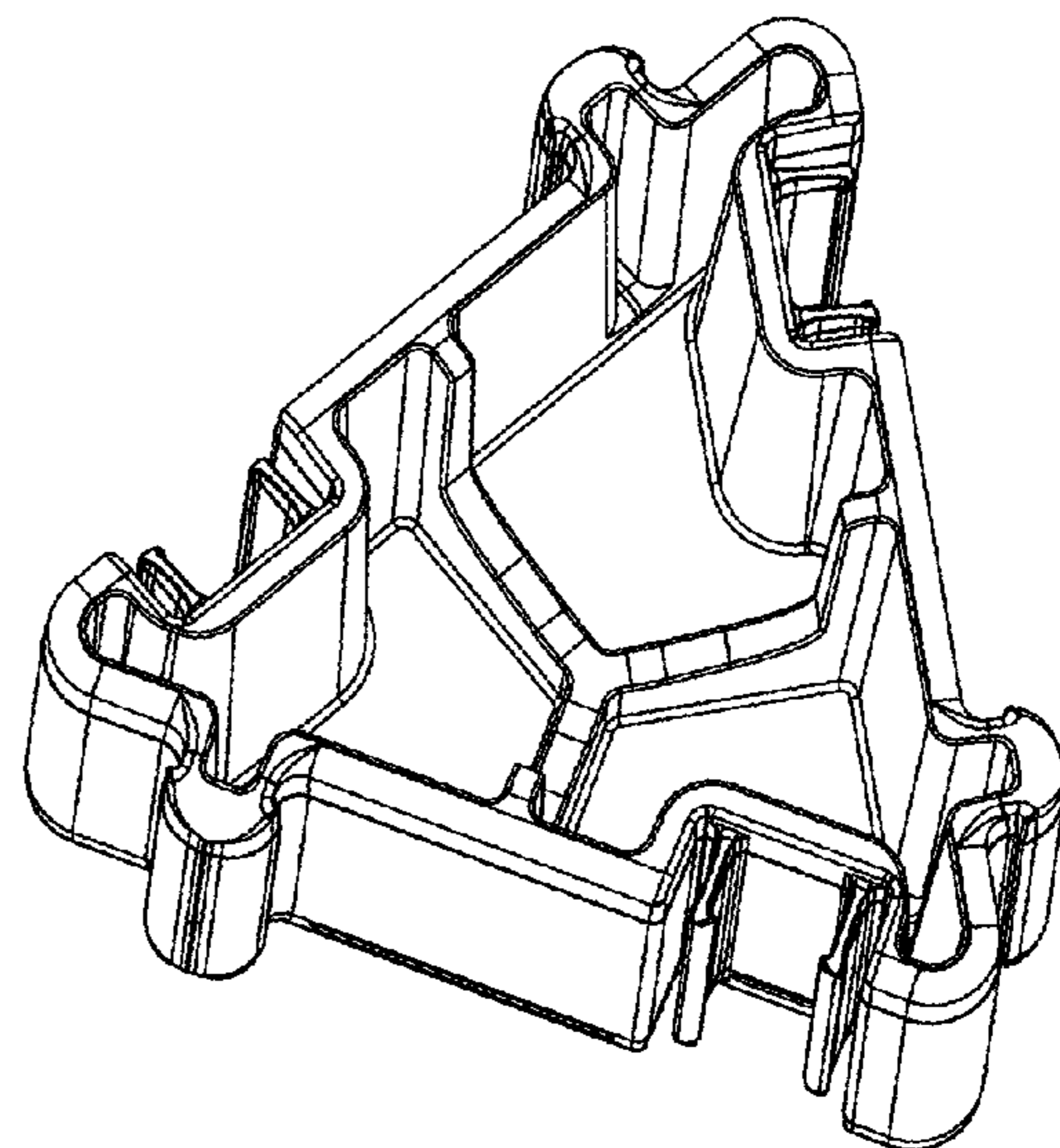
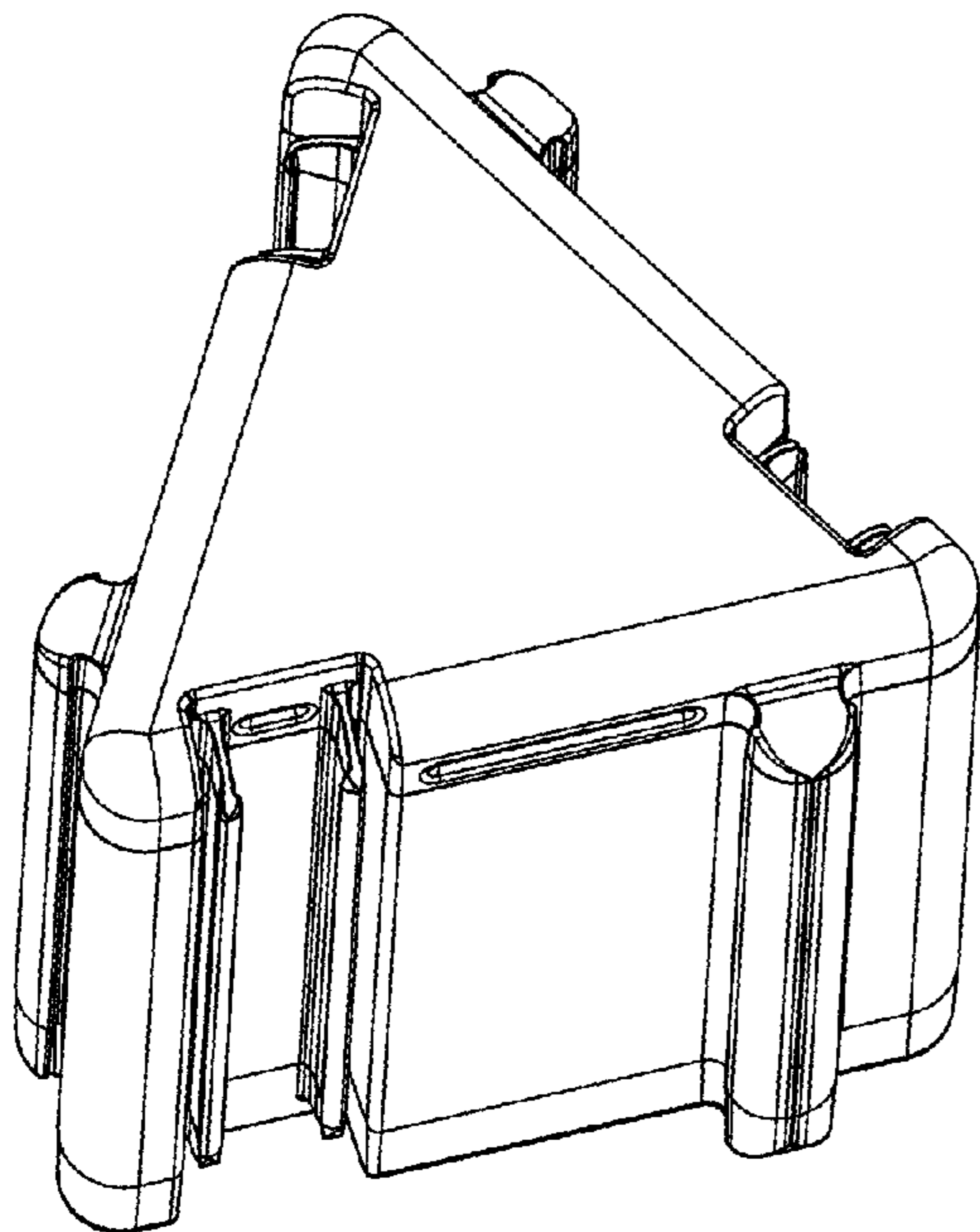
DESCRIPTION

FIG. 1 is a top perspective view of a triangular toy building element, showing my new design.

FIG. 2 is a top view thereof; and,

FIG. 3 is a bottom perspective view thereof.

1 Claim, 1 Drawing Sheet



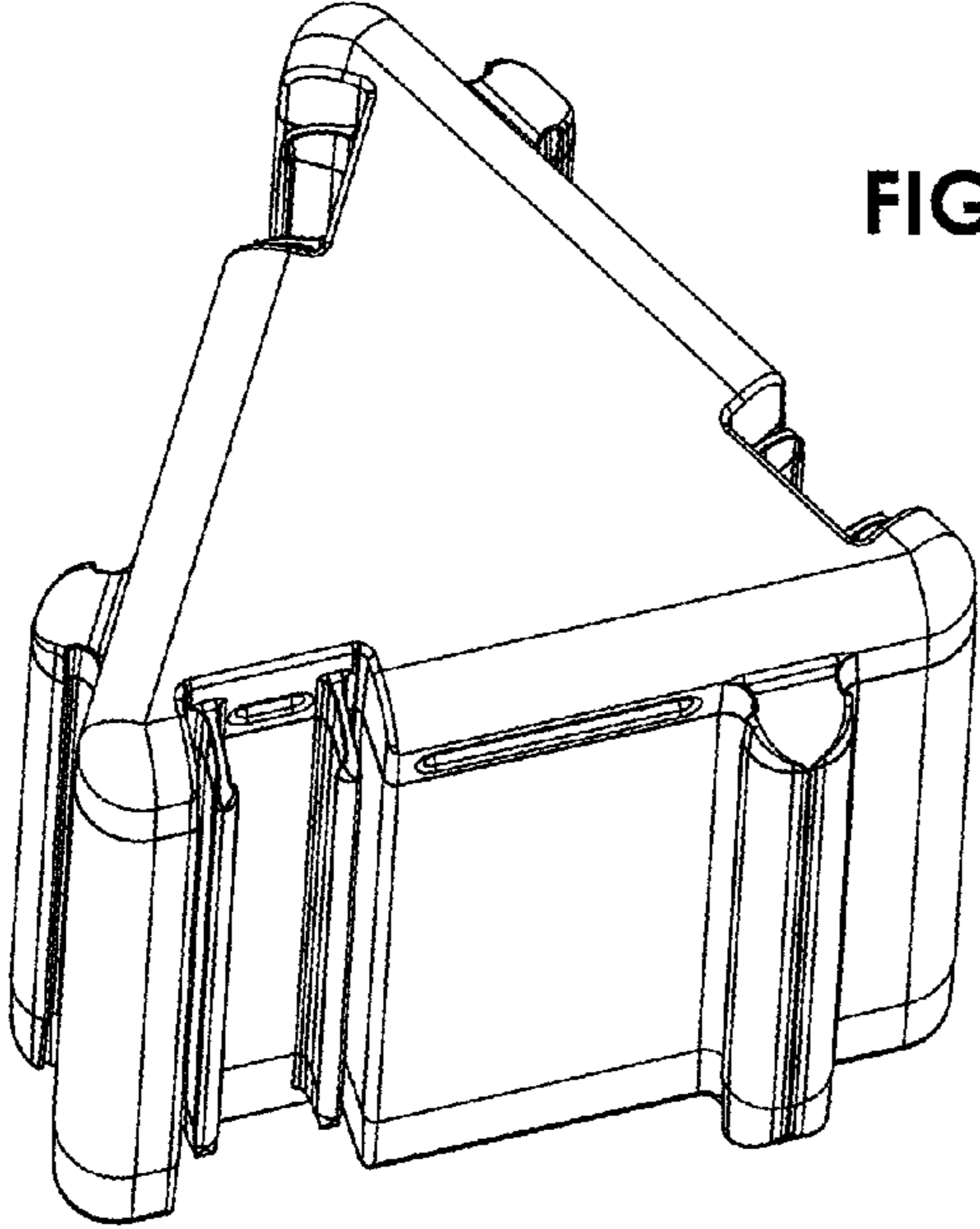


FIG. 1

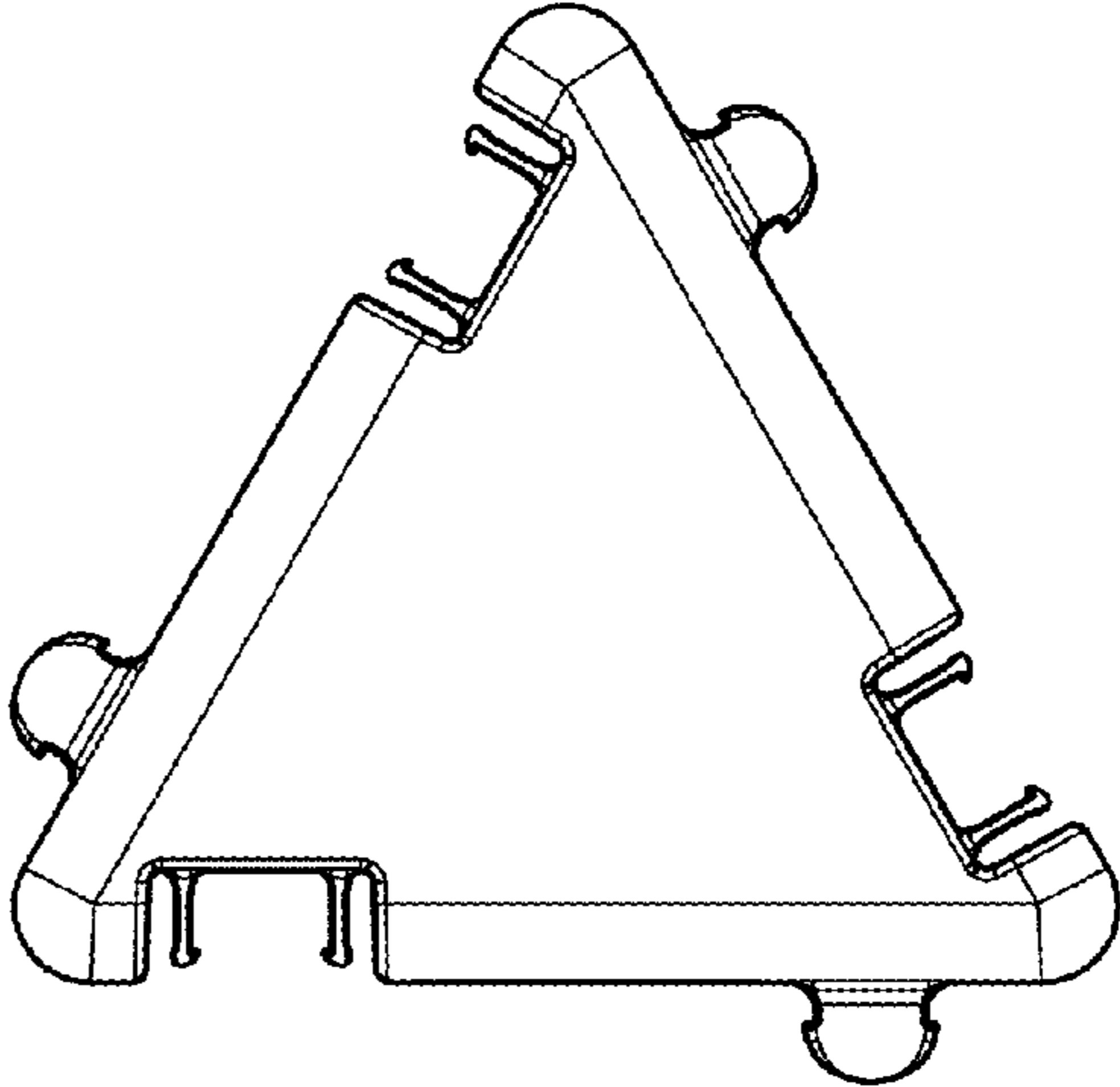


FIG. 2

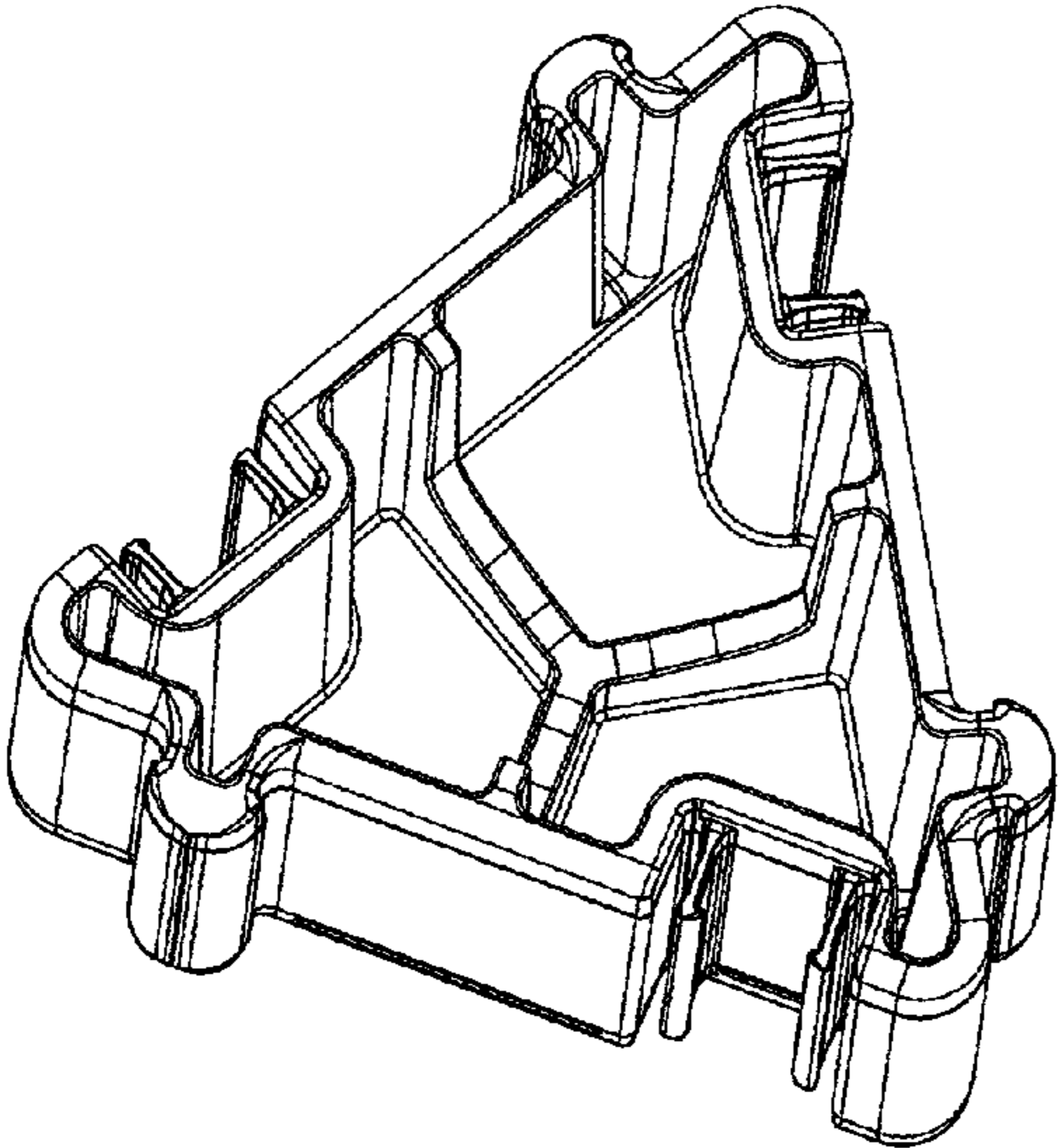


FIG. 3