



US00D758502S

(12) **United States Design Patent**
Sorensen

(10) **Patent No.:** **US D758,502 S**
(45) **Date of Patent:** **** Jun. 7, 2016**

(54) **SLOPED-ROOF TOY BUILDING ELEMENT**

(71) Applicant: **Soren Christian Sorensen**, San Diego,
CA (US)

(72) Inventor: **Soren Christian Sorensen**, San Diego,
CA (US)

(**) Term: **15 Years**

(21) Appl. No.: **29/527,428**

(22) Filed: **May 19, 2015**

(51) **LOC (10) Cl.** **21-01**

(52) **U.S. Cl.**
USPC **D21/505**

(58) **Field of Classification Search**
USPC D21/386, 389, 404, 468, 470, 471,
D21/484-505; 446/69, 85, 102-128;
434/208, 259, 403; 273/153, 156, 160;
D25/113-116, 118
CPC A63H 33/00; A63H 33/04; A63H 33/06;
A63H 33/08; A63H 33/084; A63H 33/086;
A63H 33/088; A63H 33/10; A63H 33/105;
A63H 33/108; A63H 33/52

See application file for complete search history.

(56) **References Cited**

U.S. PATENT DOCUMENTS

3,034,254	A *	5/1962	Christiansen	A63H 33/086 446/128
D272,255	S *	1/1984	Chatani	D21/502
D317,635	S *	6/1991	Eggert	D21/492
D318,696	S *	7/1991	Hoyer	D21/503
D332,471	S *	1/1993	Rahbek	D21/503
D332,472	S *	1/1993	Rahbek	D21/503
D415,539	S *	10/1999	Rudy	D21/505
D546,899	S	7/2007	Sorensen	
D641,054	S *	7/2011	Clausen	D21/503
D672,406	S *	12/2012	Sas	D21/503
D701,924	S *	4/2014	Jensen	D21/503

* cited by examiner

Primary Examiner — Cynthia M Chin

(74) *Attorney, Agent, or Firm* — Edward W. Callan

(57) **CLAIM**

I claim the ornamental design for a sloped-roof toy building element, as shown.

DESCRIPTION

FIG. 1 is a left perspective view of a sloped-roof toy building element, showing my new design.

FIG. 2 is a top view thereof.

FIG. 3 is a left-side view thereof; and,

FIG. 4 is a bottom perspective view thereof.

1 Claim, 1 Drawing Sheet

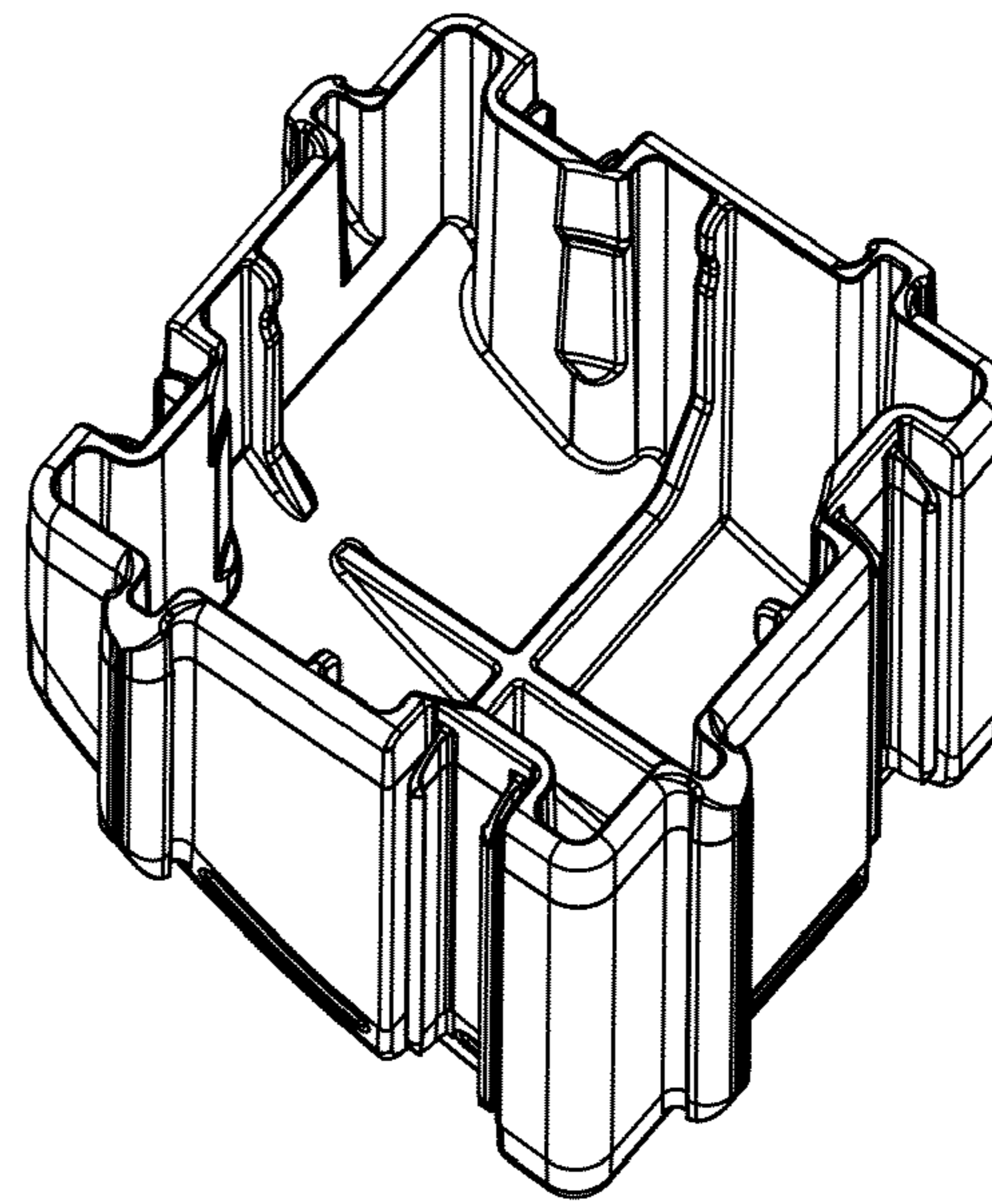
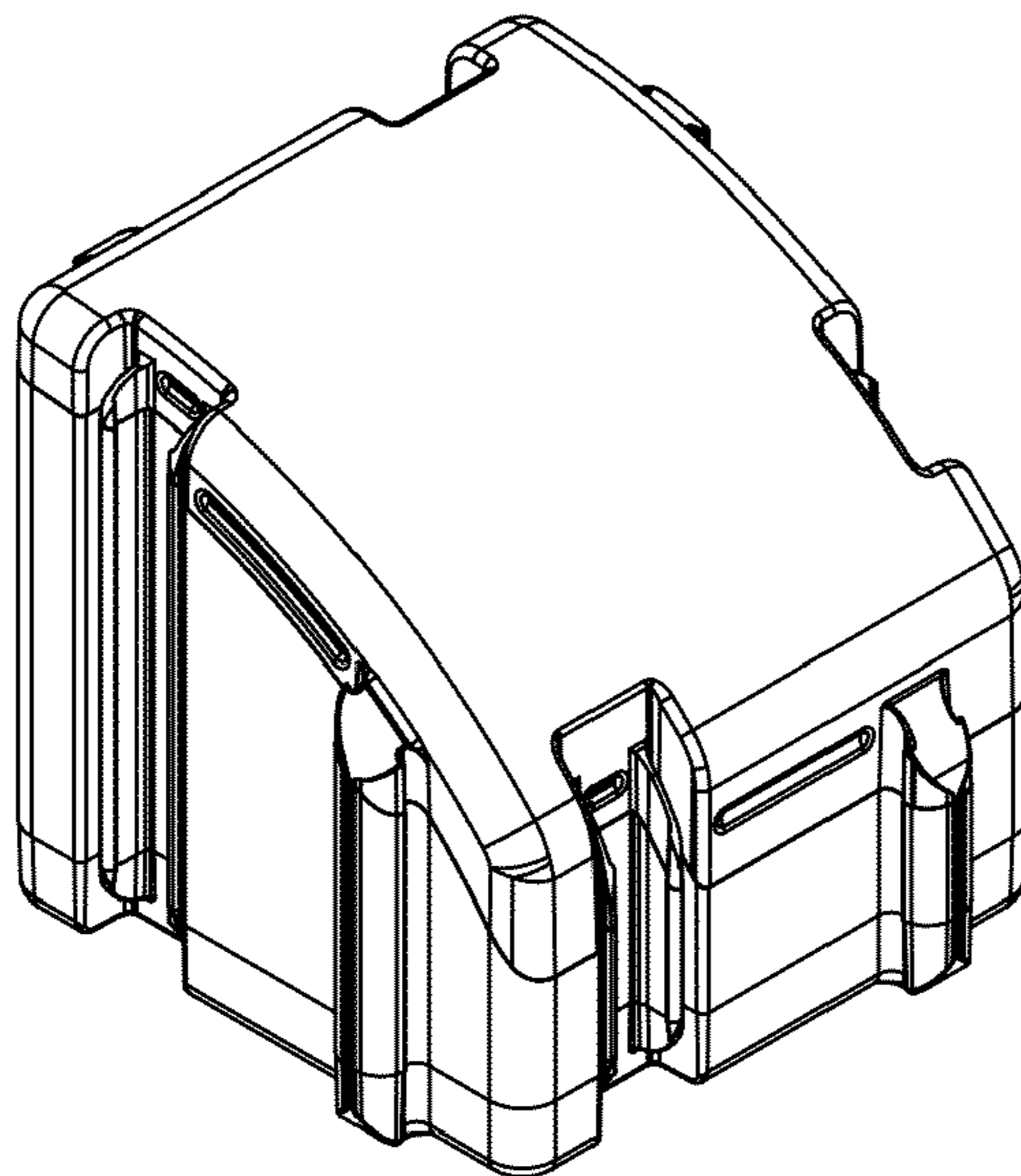


FIG. 1

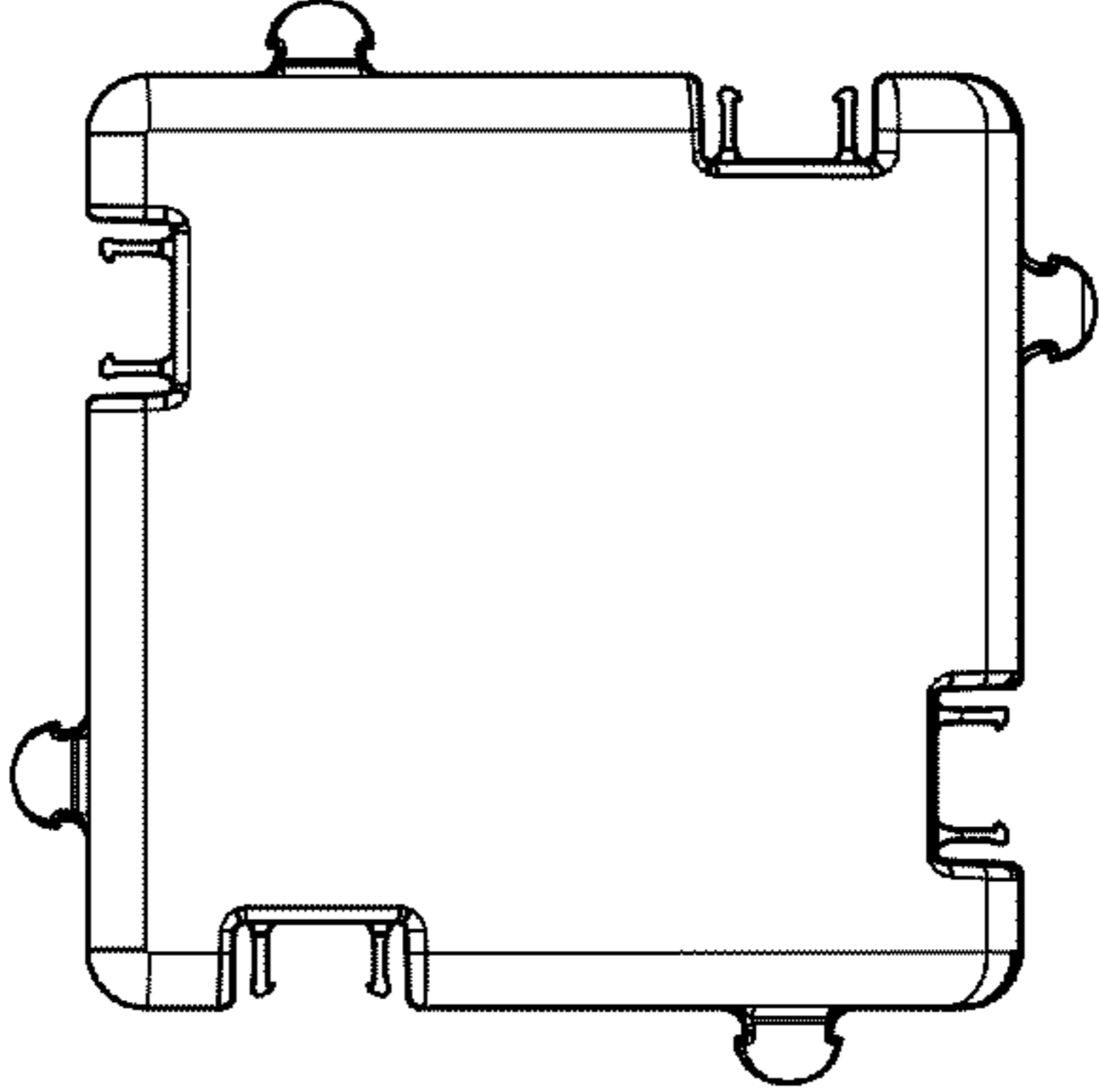
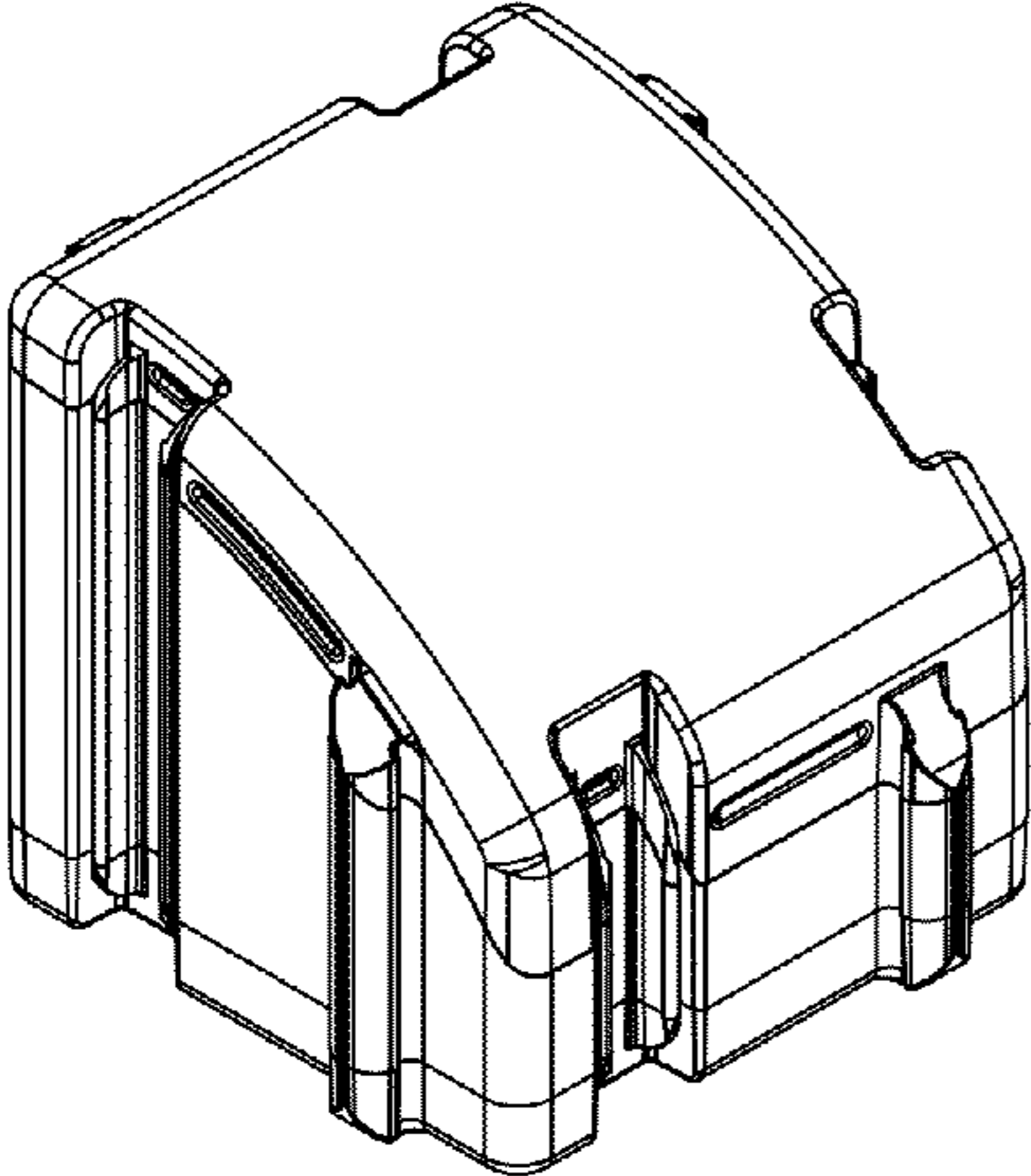


FIG. 2

FIG. 3

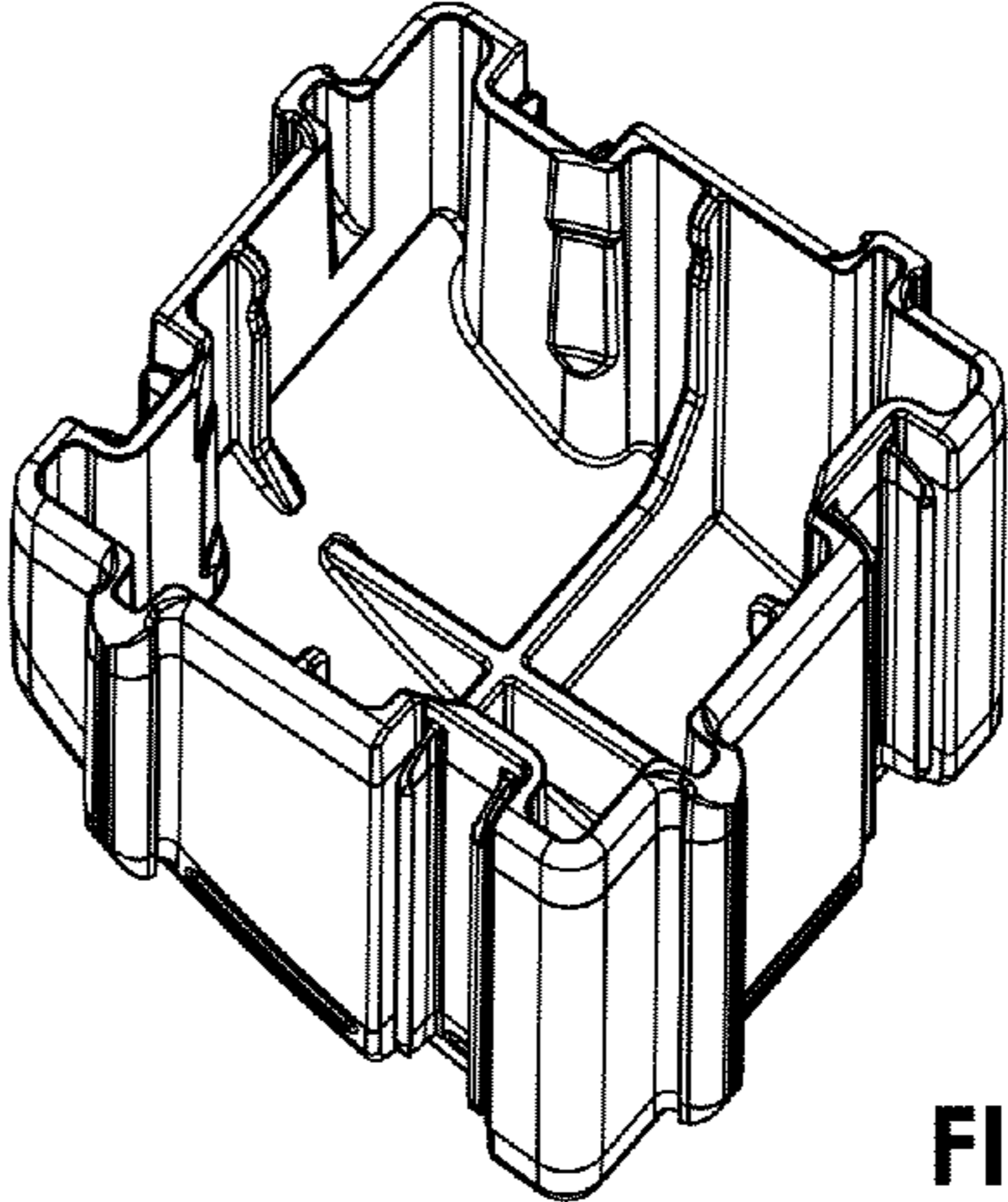
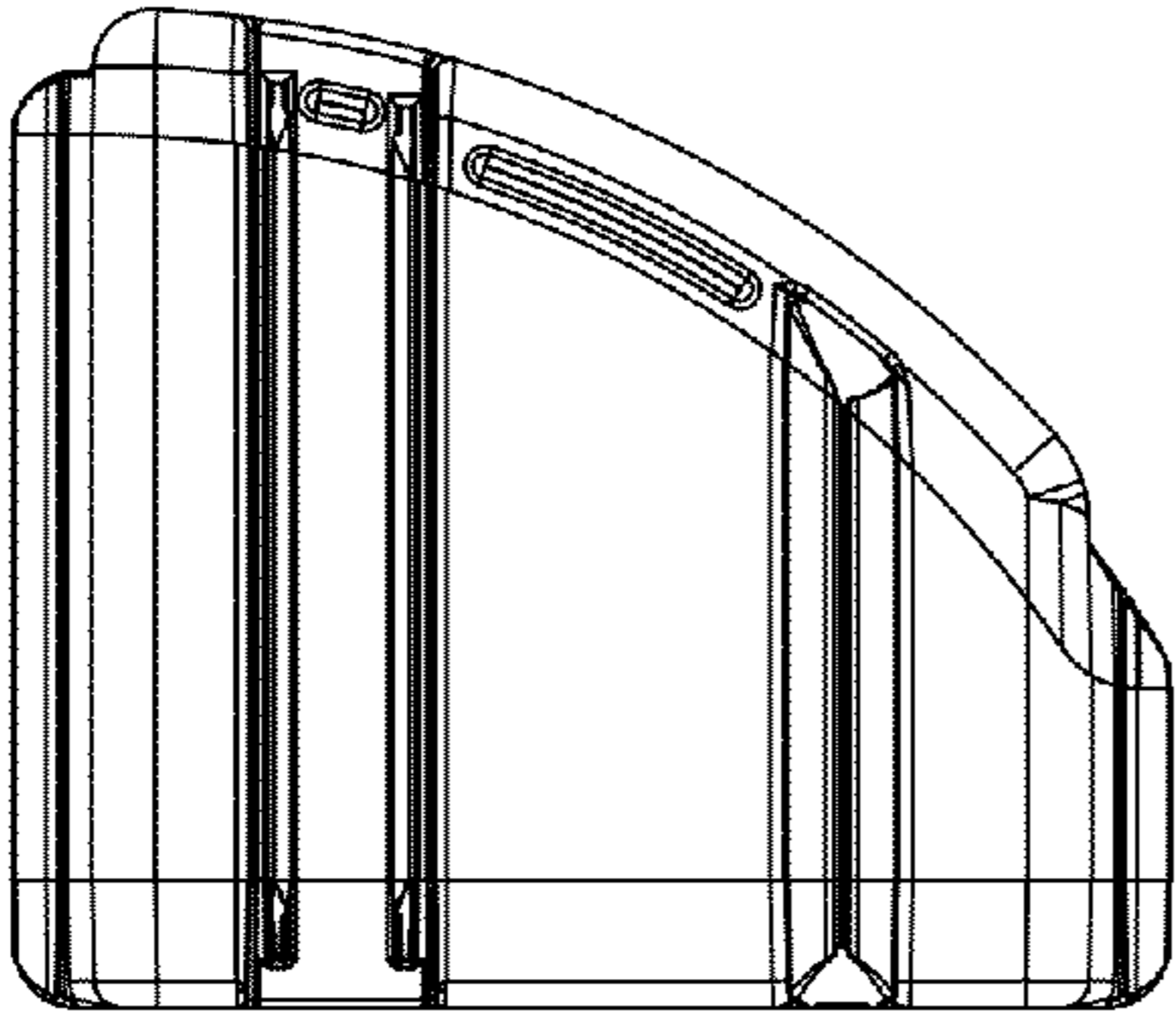


FIG. 4