



US00D758501S

(12) **United States Design Patent**
Sorensen

(10) **Patent No.:** **US D758,501 S**
(45) **Date of Patent:** **** Jun. 7, 2016**

(54) **DOUBLE-AXLE TOY BUILDING ELEMENT**

(71) Applicant: **Soren Christian Sorensen**, San Diego, CA (US)

(72) Inventor: **Soren Christian Sorensen**, San Diego, CA (US)

(**) Term: **15 Years**

(21) Appl. No.: **29/527,437**

(22) Filed: **May 19, 2015**

(51) **LOC (10) Cl.** **21-01**

(52) **U.S. Cl.**
USPC **D21/495**; D21/499

(58) **Field of Classification Search**
USPC D21/333, 373, 386, 389, 404, 468, 470, D21/471, 475, 484-505; 446/69, 85, 446/102-128; 434/167, 208, 259, 403; 273/153, 156, 160; D3/304, 314; D24/101; D9/640; 220/23.4; 40/720
CPC A63H 33/04; A63H 33/06; A63H 33/062; A63H 33/08; A63H 33/086; A63H 33/088; A63F 9/12; A63F 9/1224
See application file for complete search history.

(56) **References Cited**

U.S. PATENT DOCUMENTS

D262,045 S * 11/1981 Nakao D21/495
4,306,373 A * 12/1981 Chatani A63H 33/088
446/121

D285,226 S * 8/1986 Kassai D21/499
D344,552 S * 2/1994 Berggreen D21/495
D370,503 S * 6/1996 Burns D21/500
5,853,314 A * 12/1998 Bora A63H 33/086
446/102
D435,609 S * 12/2000 Sorensen D21/499
6,447,360 B1 * 9/2002 Sorensen A63H 33/062
446/117
D465,246 S * 11/2002 Sorensen D21/499
D470,196 S * 2/2003 Sorensen D21/499
D545,380 S * 6/2007 Sorensen D21/484
D545,917 S 7/2007 Sorensen
D546,900 S * 7/2007 Sorensen D21/484
D641,805 S * 7/2011 Kichijo D21/495
2015/0314209 A1 * 11/2015 Brooks A63H 33/08
446/128

* cited by examiner

Primary Examiner — Cynthia M Chin

(74) *Attorney, Agent, or Firm* — Edward W. Callan

(57) **CLAIM**

I claim the ornamental design for a double-axle toy building element, as shown and described.

DESCRIPTION

FIG. 1 is a left perspective view of a double-axle toy building element, showing my new design.

FIG. 2 is a top view thereof.

FIG. 3 is a side view thereof, which is common to both sides.

FIG. 4 is an end view thereof, which is common to both ends.

FIG. 5 is a bottom perspective view thereof; and,

FIG. 6 is a bottom view thereof.

1 Claim, 2 Drawing Sheets

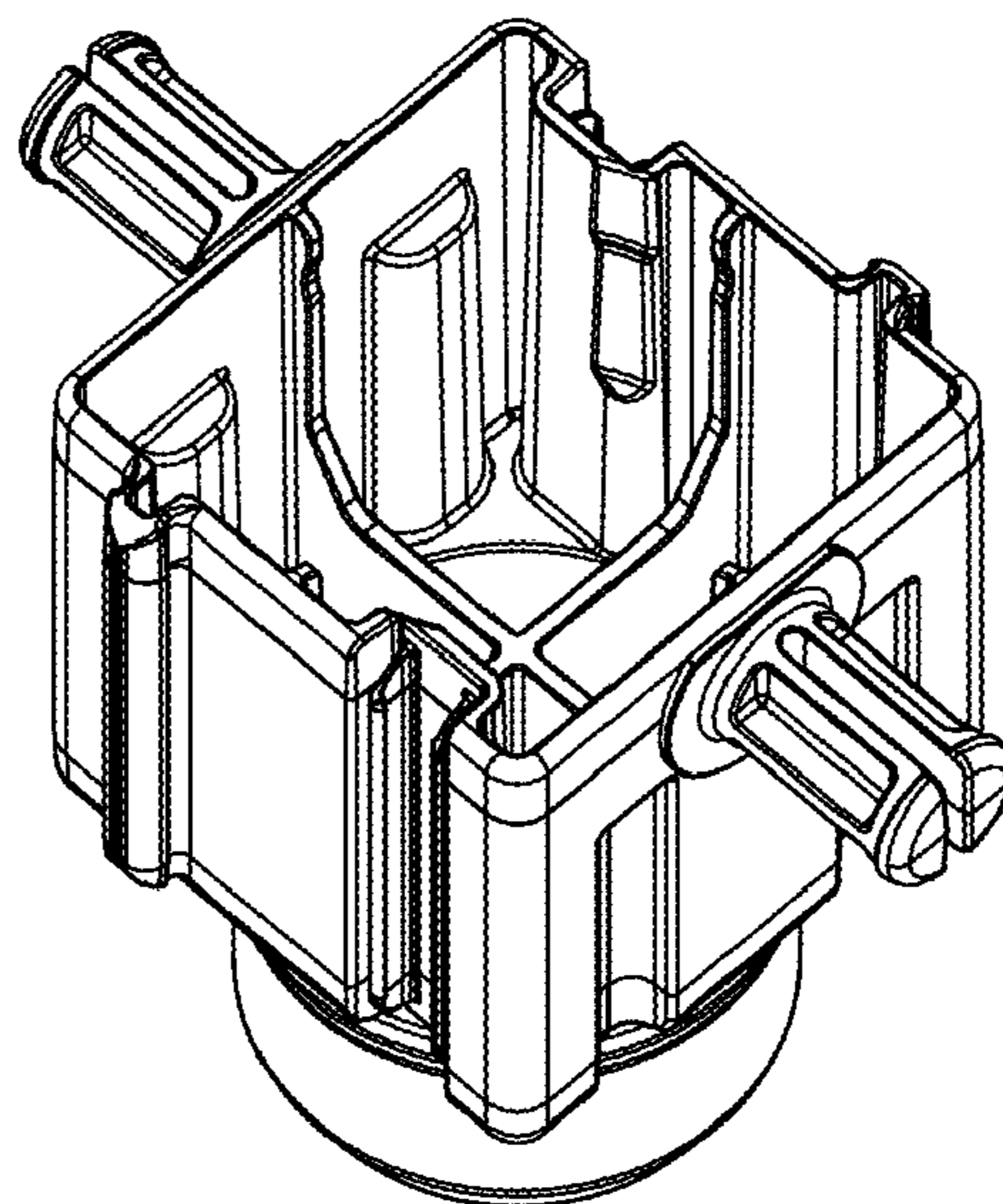
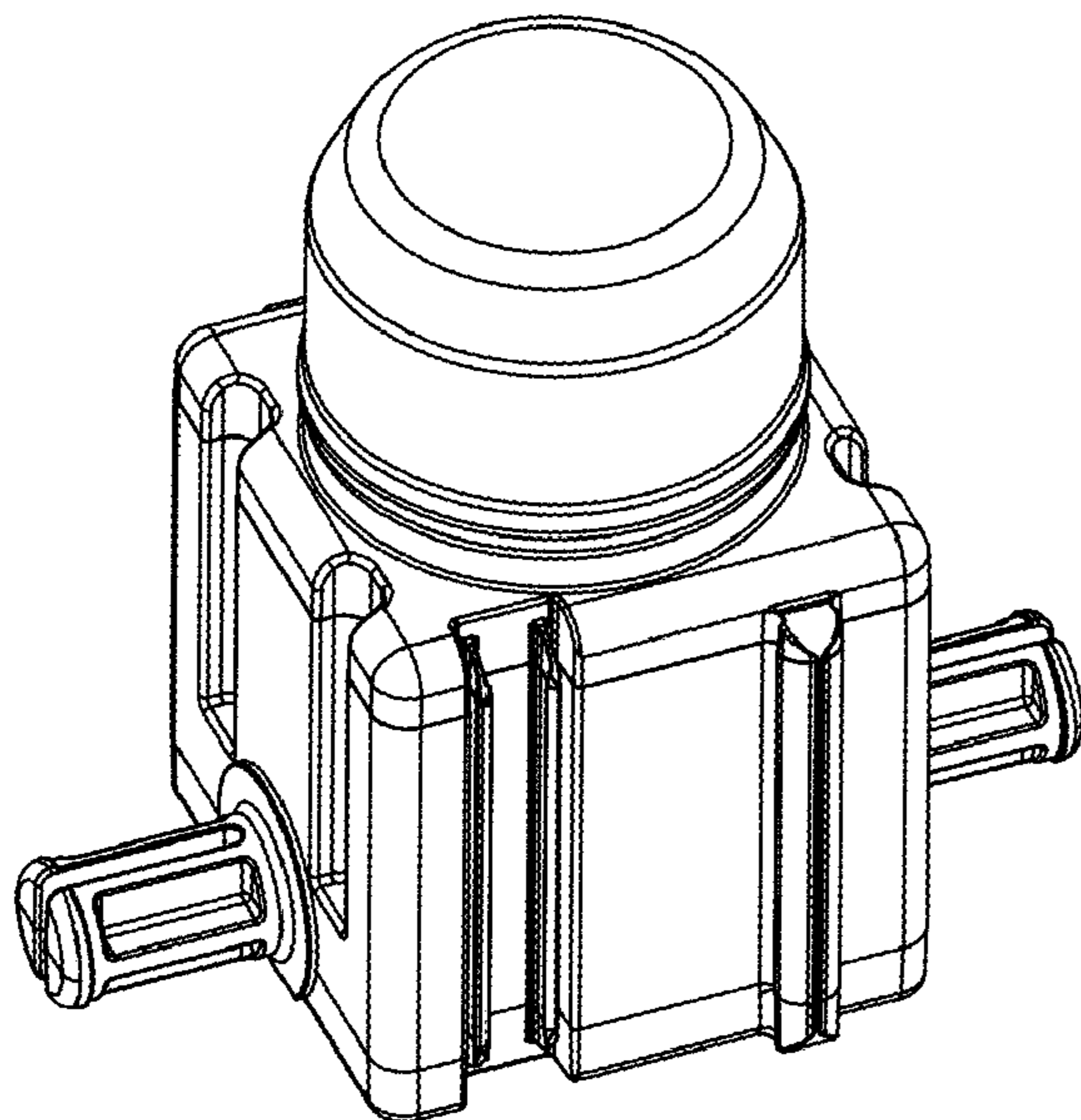


FIG. 1

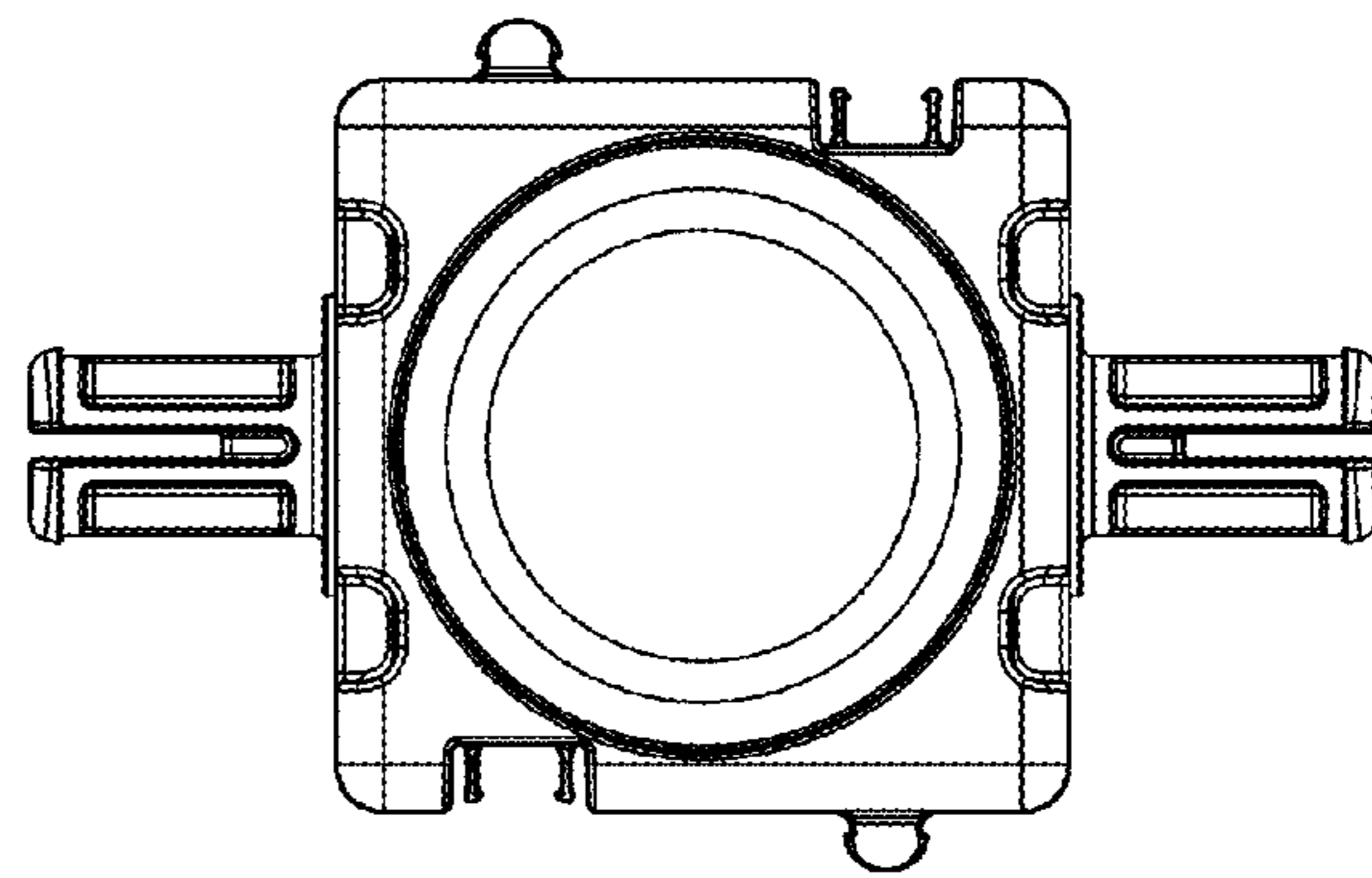
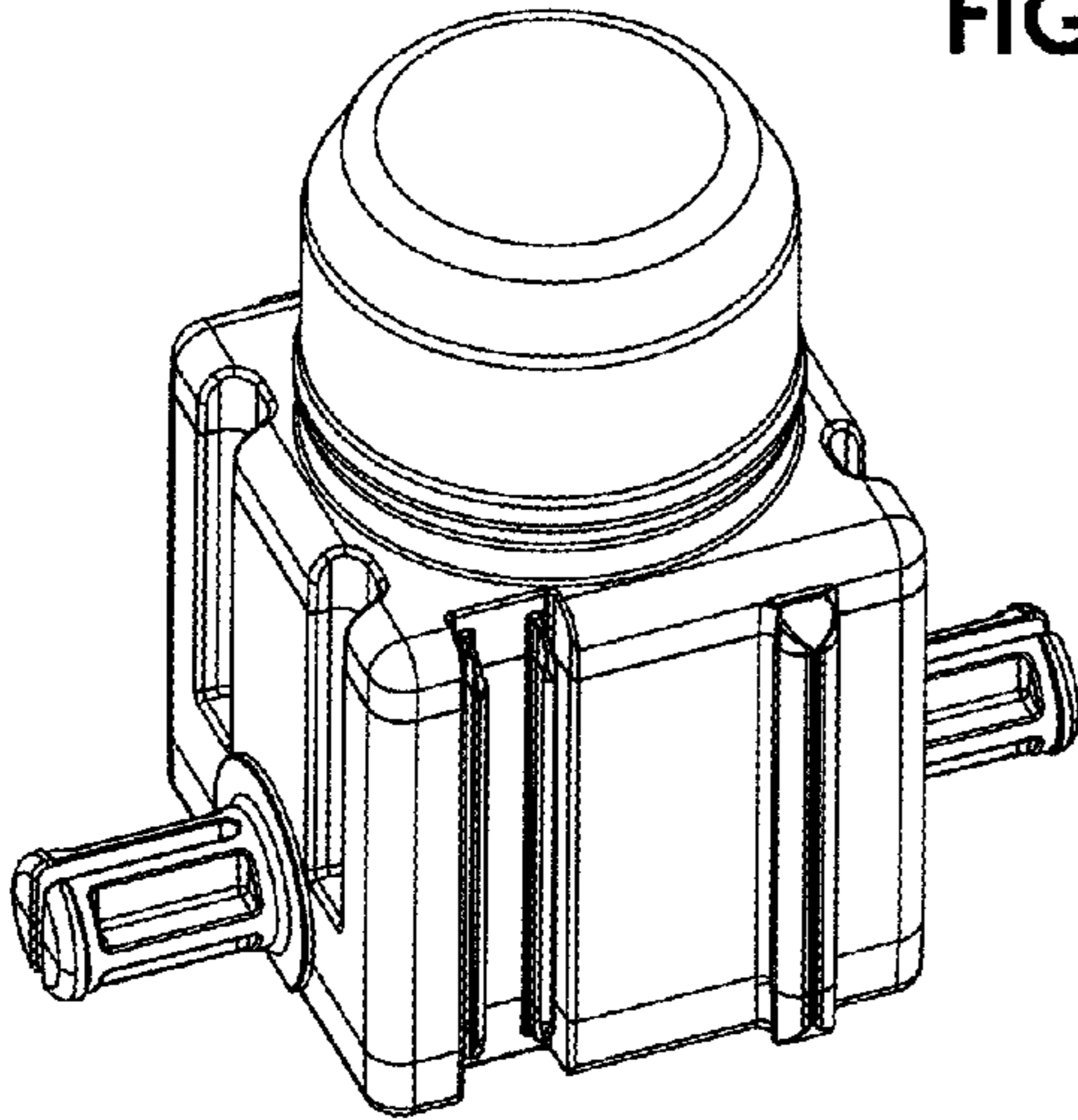


FIG. 2

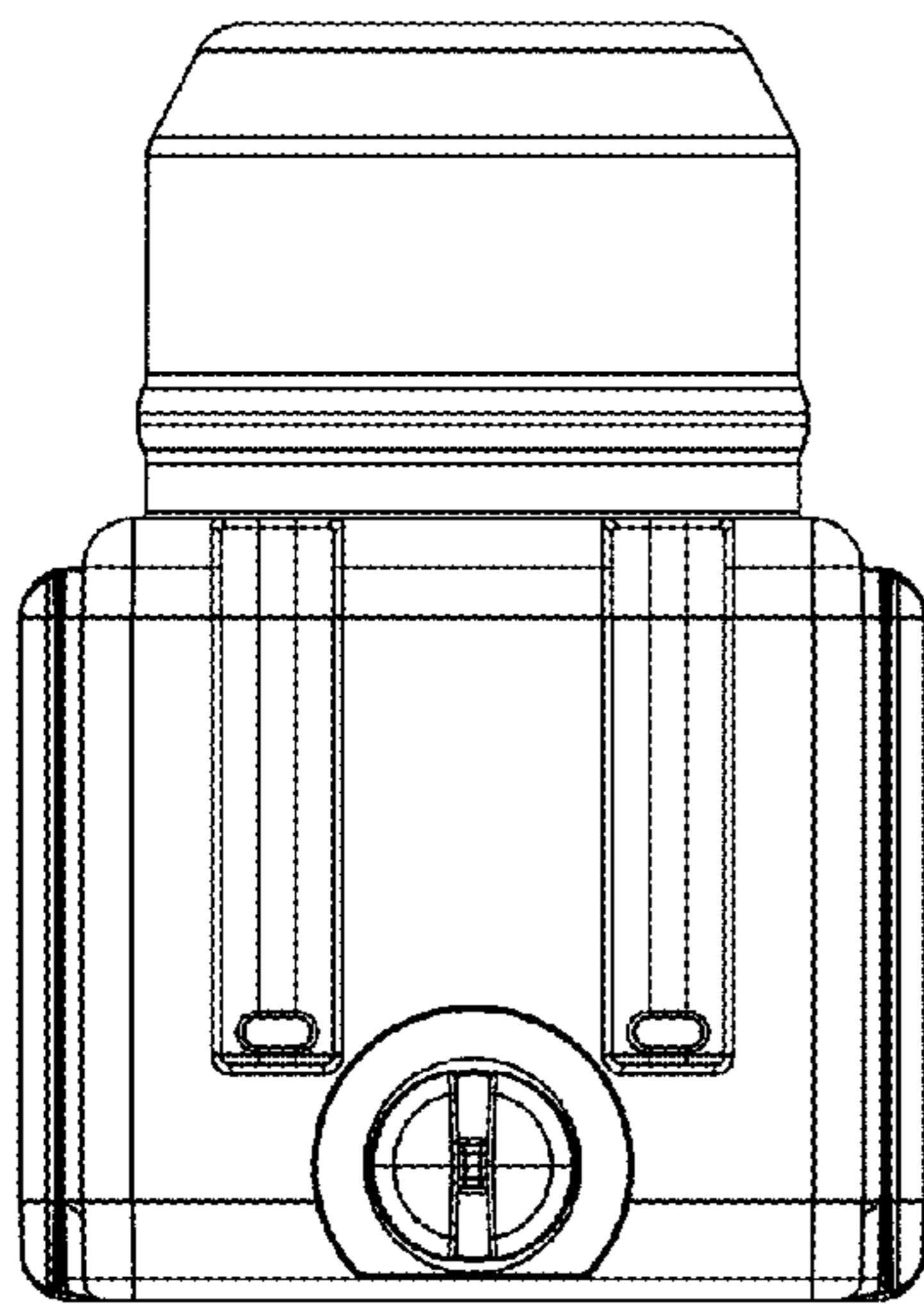


FIG. 3

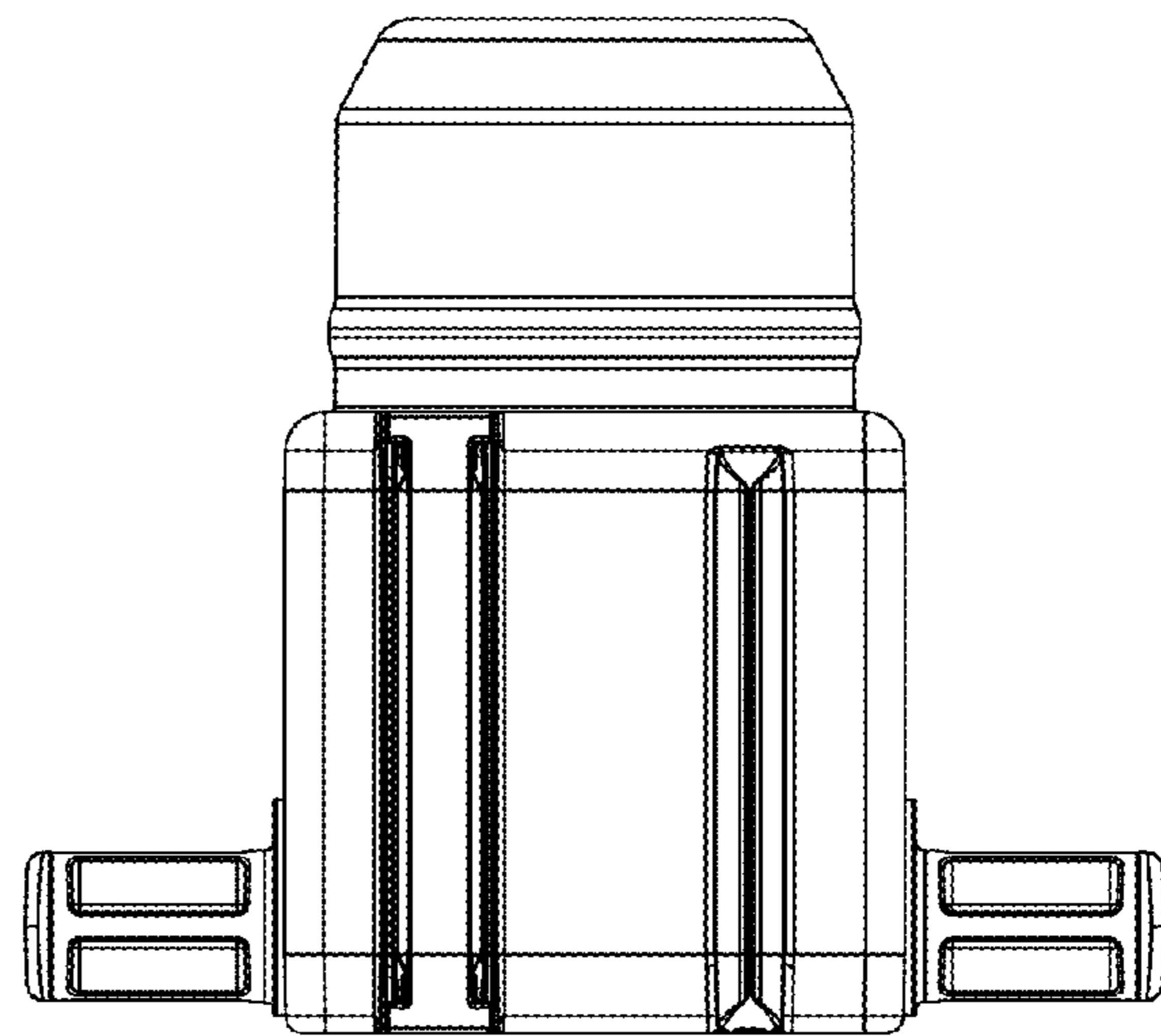


FIG. 4

FIG. 5

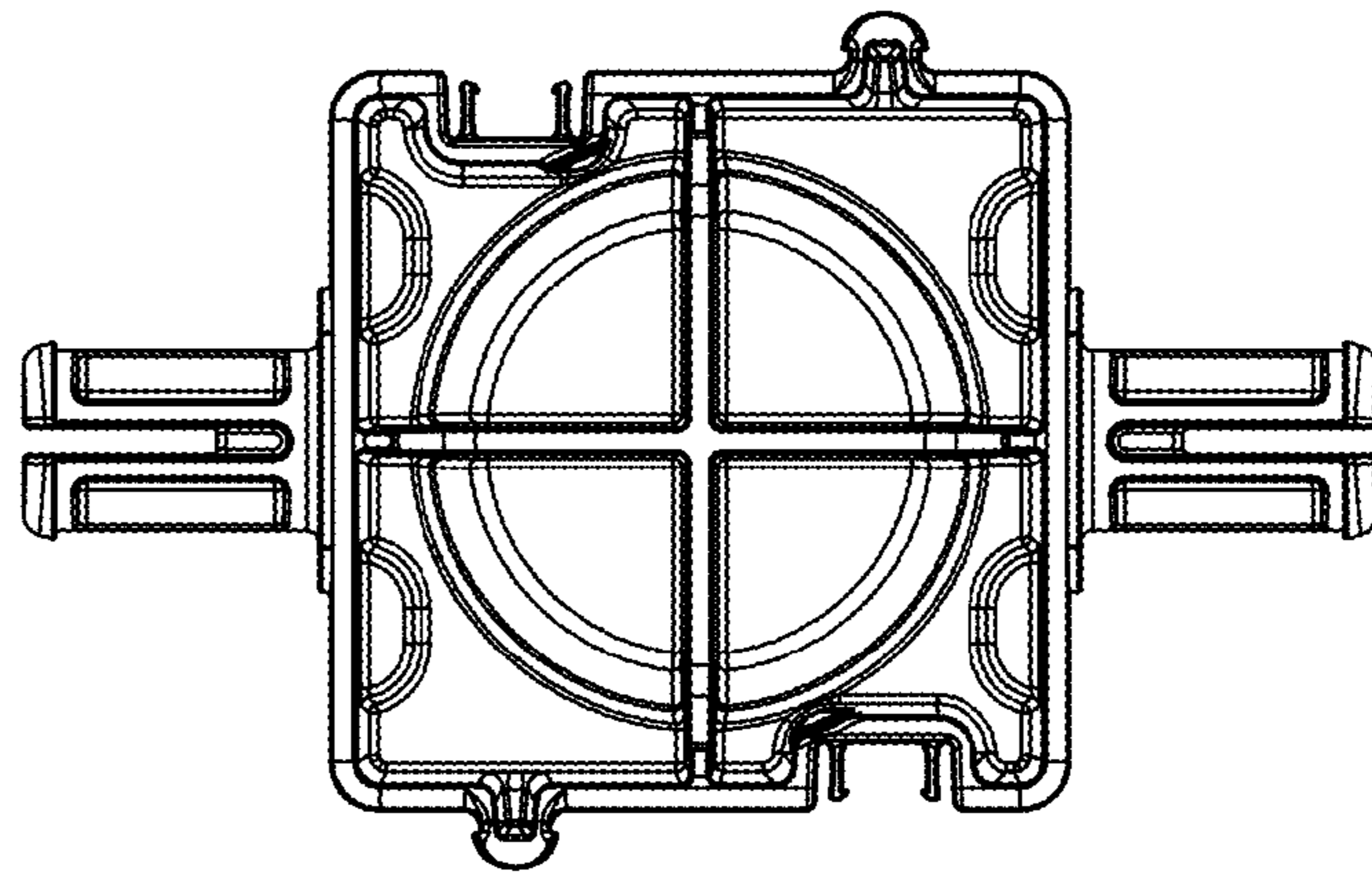
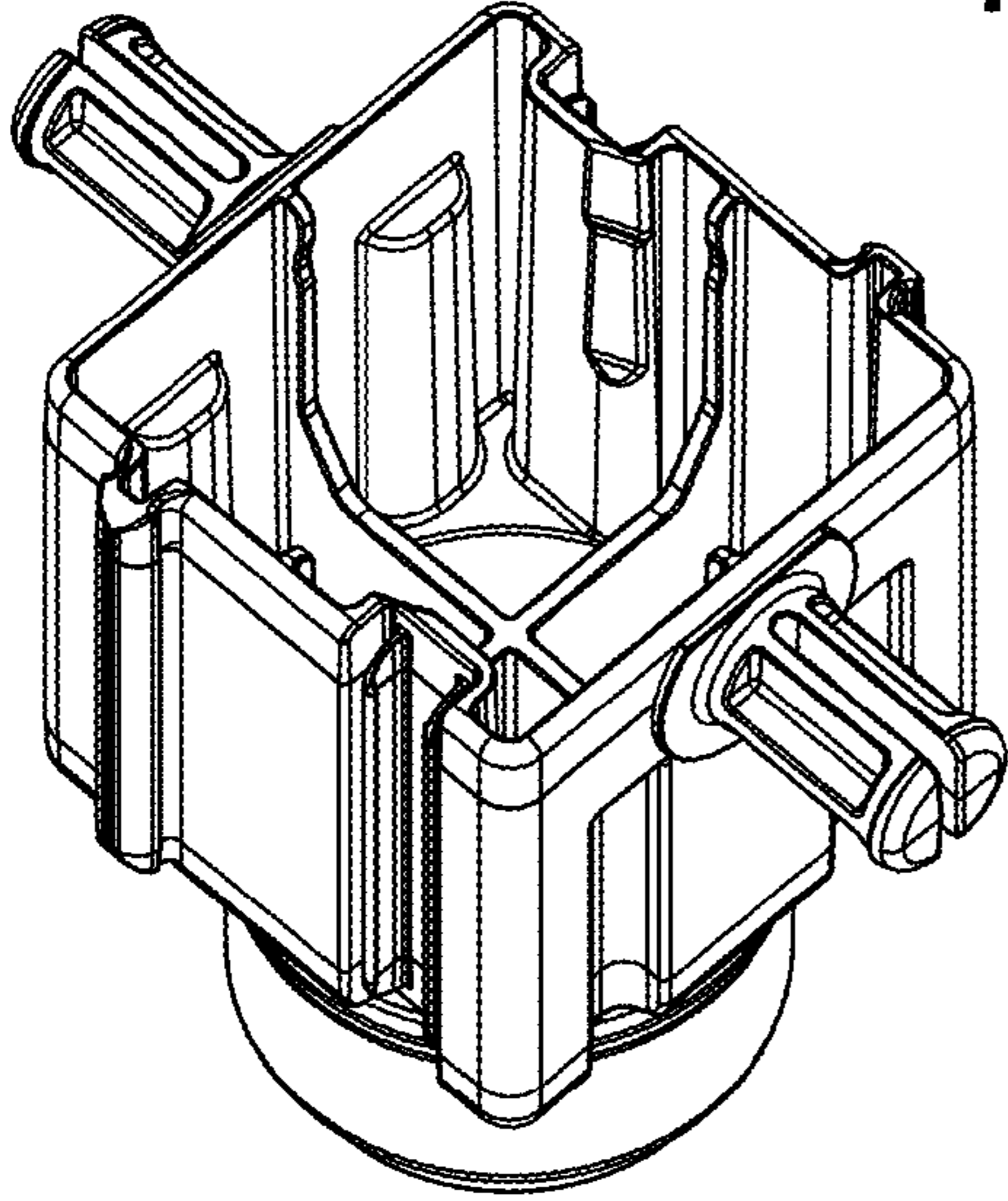


FIG. 6