



US00D758500S

(12) **United States Design Patent**
Sorensen

(10) **Patent No.:** **US D758,500 S**
(45) **Date of Patent:** **** Jun. 7, 2016**

(54) **TOY VEHICLE CHASSIS**

(71) Applicant: **Soren Christian Sorensen**, San Diego,
CA (US)

(72) Inventor: **Soren Christian Sorensen**, San Diego,
CA (US)

(**) Term: **15 Years**

(21) Appl. No.: **29/527,425**

(22) Filed: **May 19, 2015**

(51) **LOC (10) Cl.** **21-01**

(52) **U.S. Cl.**
USPC **D21/495; D21/562**

(58) **Field of Classification Search**
USPC D21/333, 373, 386, 389, 404, 468, 470,
D21/471, 475, 484-505, 562; 446/69, 85,
446/102-128; 434/167, 208, 259, 403;
273/153, 156, 160

CPC A63H 33/04; A63H 33/06; A63H 33/062;
A63H 33/08; A63H 33/086; A63H 33/088;
A63H 17/002; A63H 17/26; A63F 9/12;
A63F 9/1224

See application file for complete search history.

(56) **References Cited**

U.S. PATENT DOCUMENTS

4,375,139	A *	3/1983	Chatani	A63H 17/26 446/471
D295,642	S *	5/1988	Olsen	D21/495
D311,942	S *	11/1990	Dideriksen	D21/561
D325,052	S *	3/1992	Andersen	D21/495
D331,431	S *	12/1992	Jensen	D21/495
D346,629	S *	5/1994	Ruszkai	D21/495
D351,631	S *	10/1994	Thomsen	D21/485
D362,875	S *	10/1995	Vognsen	D21/500
D394,469	S *	5/1998	Nielsen	D21/500
D394,680	S *	5/1998	Andersen	D21/495
D412,725	S *	8/1999	Nielsen	D21/495
D541,882	S *	5/2007	Petersen	D21/495
D545,917	S	7/2007	Sorensen	
7,553,209	B1	6/2009	Sorensen	
D641,805	S *	7/2011	Kichijo	D21/495

* cited by examiner

Primary Examiner — Cynthia M Chin

(74) *Attorney, Agent, or Firm* — Edward W. Callan

(57) **CLAIM**

I claim the ornamental design for a toy vehicle chassis, as shown.

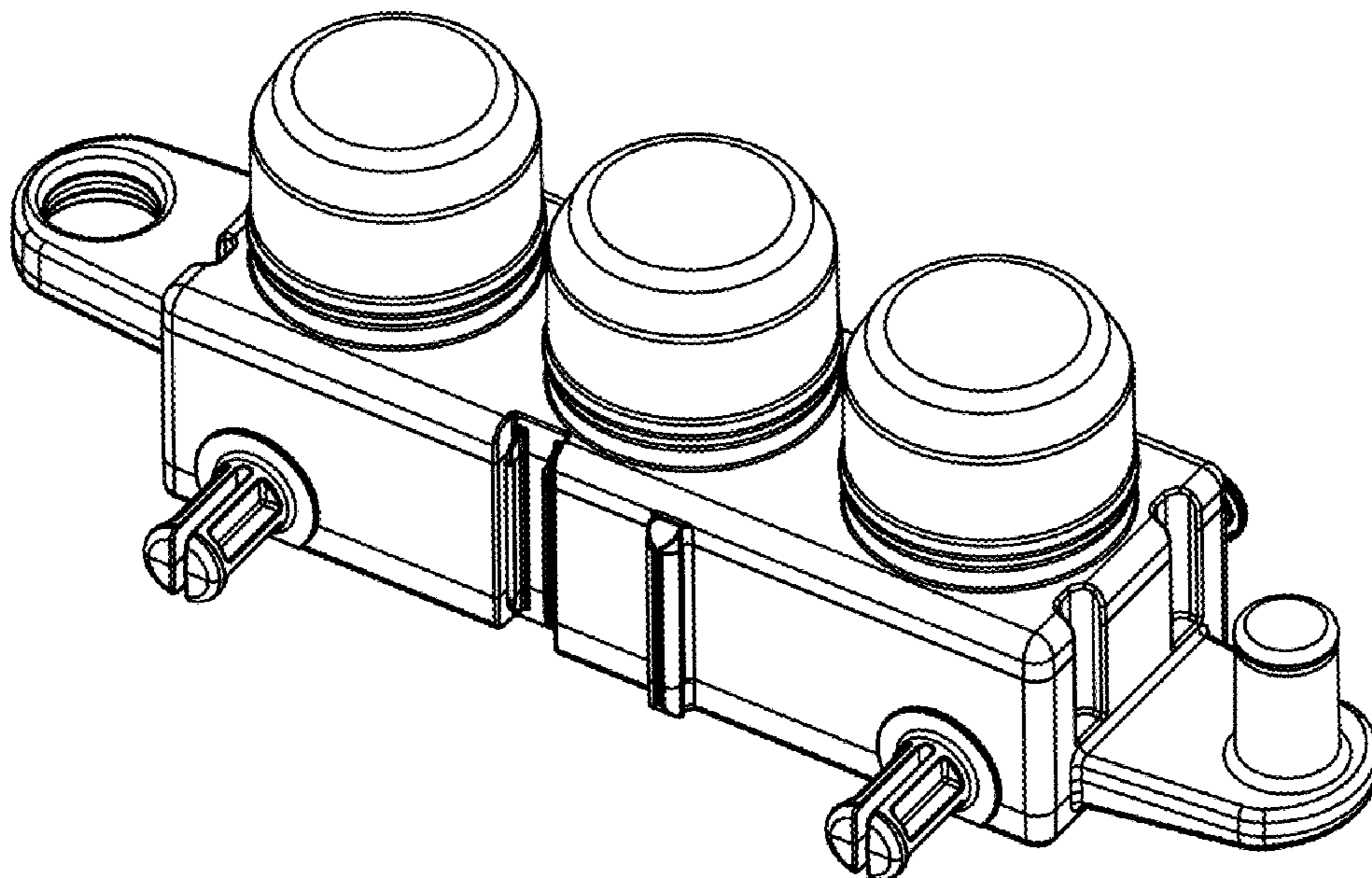
DESCRIPTION

FIG. 1 is a left perspective view of a toy vehicle chassis, showing my new design.

FIG. 2 is a left side view thereof; and,

FIG. 3 is a top view thereof.

1 Claim, 1 Drawing Sheet



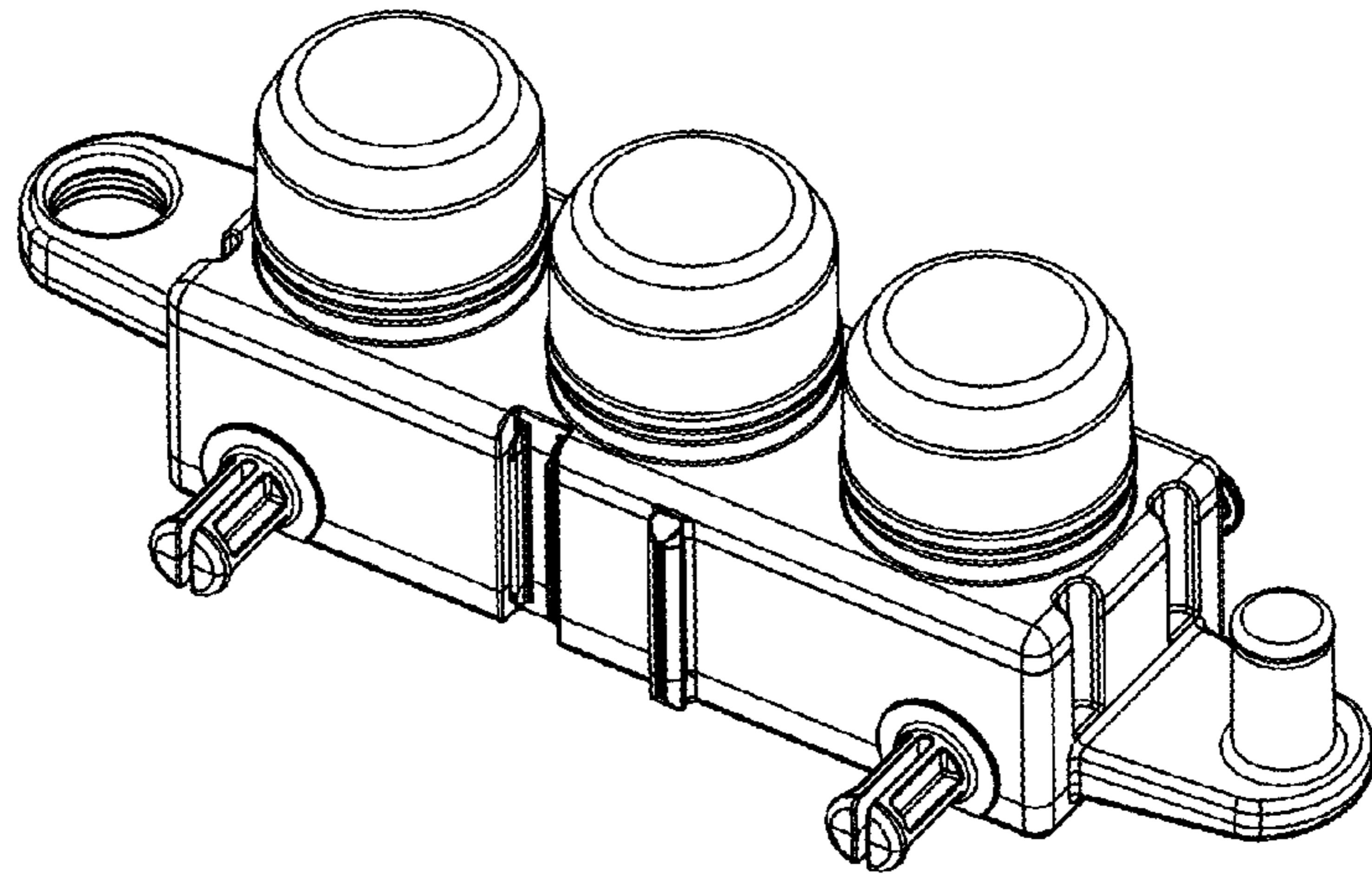


FIG. 1

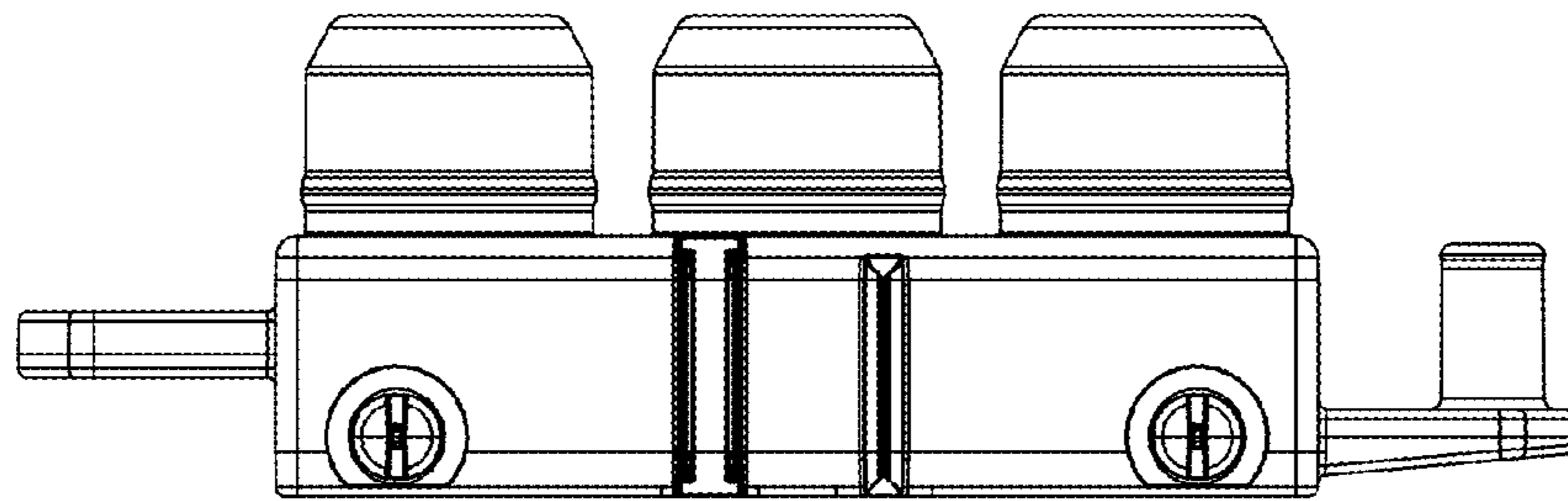


FIG. 2

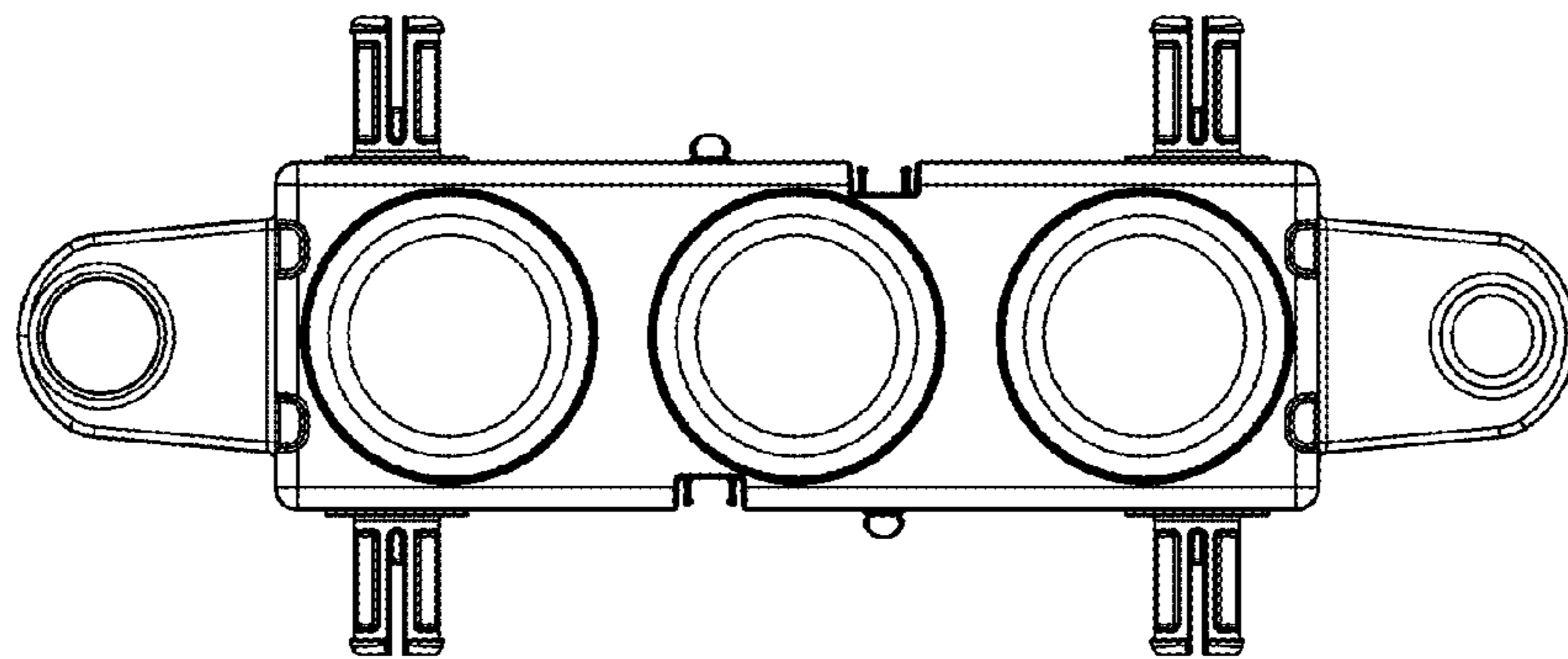


FIG. 3