



US00D758494S

(12) **United States Design Patent**  
**Slayton et al.**

(10) **Patent No.:** **US D758,494 S**  
(45) **Date of Patent:** **\*\* Jun. 7, 2016**

- (54) **LABEL**
- (71) Applicant: **The Procter & Gamble Company**,  
Cincinnati, OH (US)
- (72) Inventors: **Nancy Deters Slayton**, Springfield  
Township, OH (US); **Greta Berger**  
**Dirsell**, Newport, KY (US)
- (73) Assignee: **The Procter & Gamble Company**,  
Cincinnati, OH (US)
- (\*\*) Term: **14 Years**
- (21) Appl. No.: **29/475,651**
- (22) Filed: **Dec. 5, 2013**
- (51) **LOC (10) Cl.** ..... **19-08**
- (52) **U.S. Cl.**  
USPC ..... **D20/22**
- (58) **Field of Classification Search**  
USPC ..... D20/10, 11, 22-29, 40, 99; D5/20, 56,  
D5/62, 63; D9/434, 456, 457; D24/189  
CPC ..... G09F 1/00; G09F 1/02; G09F 3/00;  
G09F 3/02; G09F 3/04; G09F 3/08; G09F  
3/10; G09F 3/14; G09F 3/16; G09F 3/20;  
G09F 3/203; G09F 3/207; G09F 3/0288;  
G09F 3/0289; G09F 3/0297; G09F 3/0298;  
G09F 7/18; G09F 23/00; G09F 2003/0264;  
G09F 2003/0266; G09F 2003/0272; G09F  
2003/0273; G09F 2003/0285; G09F 29/00  
See application file for complete search history.

D134,555 S	12/1942	Jenkins	
D344,236 S	2/1994	Drounau	
D392,681 S	3/1998	Kuelbs et al.	
D489,970 S	5/2004	Nelson et al.	
D509,435 S	9/2005	Rosson	
D545,192 S *	6/2007	Berger .....	D9/456
D582,987 S	12/2008	Marmier	
D597,606 S	8/2009	Chin et al.	
D616,740 S	6/2010	Akers et al.	
D622,774 S	8/2010	Seum et al.	
D633,150 S	2/2011	Tesner et al.	
D633,788 S	3/2011	Slayton et al.	
D634,552 S	3/2011	Bischoff et al.	
D635,194 S	3/2011	Katz	
D650,863 S	12/2011	Fiero	
D654,371 S	2/2012	Geeraert et al.	
D666,245 S	8/2012	Birdwell et al.	

(Continued)

**FOREIGN PATENT DOCUMENTS**

WO DM/076856 5/2011

**OTHER PUBLICATIONS**

Premium Glade website: <http://www.glade.com/en-US/Products/Pages/GladeFabriAir.aspx> downloaded Aug. 25, 2014.

(Continued)

*Primary Examiner* — Mary Ann Calabrese  
(74) *Attorney, Agent, or Firm* — Abbey A. Lopez; Amy I. Ahn-Roll

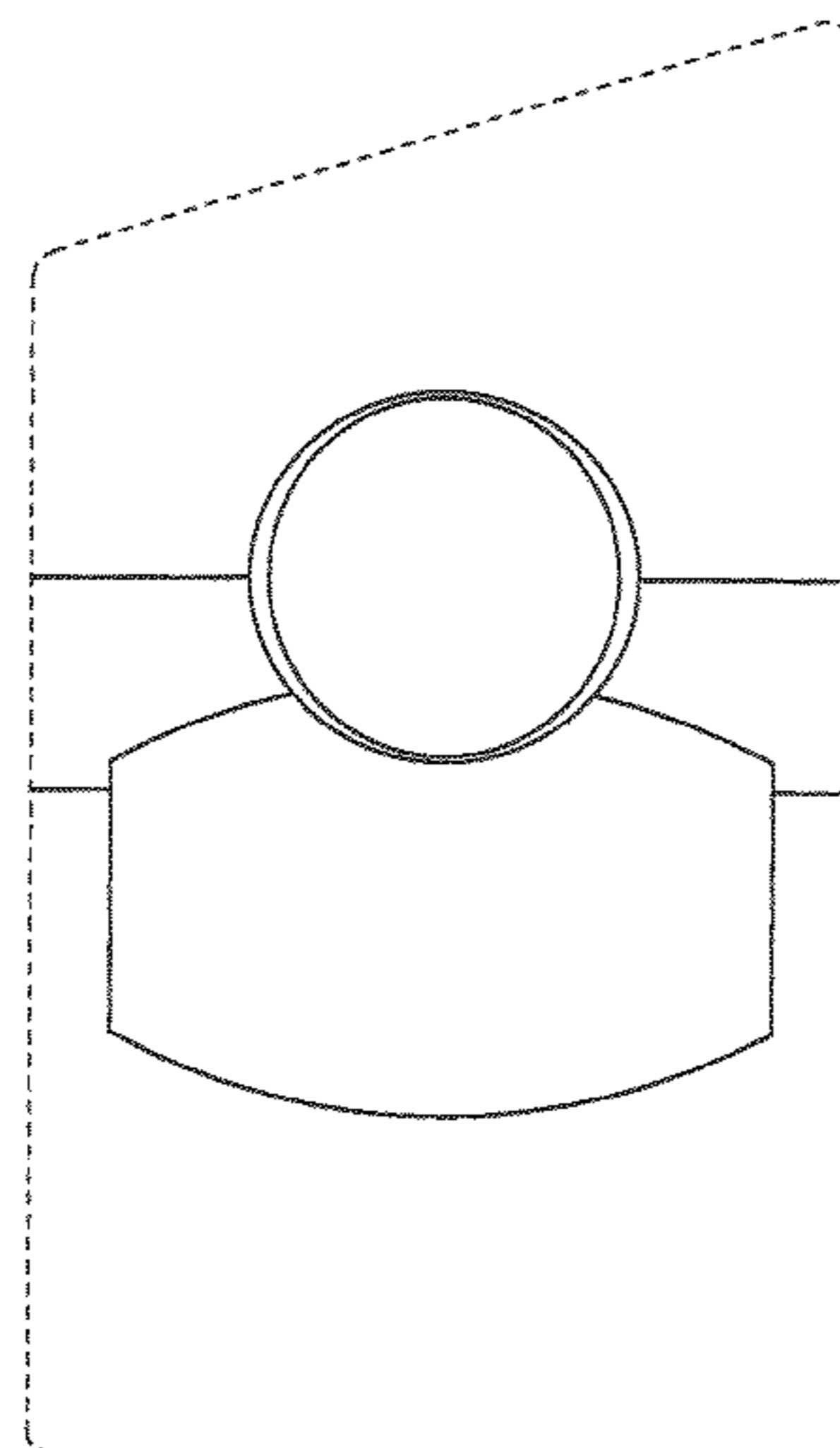
(57) **CLAIM**  
The ornamental design for a label, as shown and described.

**DESCRIPTION**

The FIGURE is a front plan view of a label. The broken line showing of environmental structure in the FIGURE is for illustrative purposes only and forms no part of the claimed design.

**1 Claim, 1 Drawing Sheet**

- (56) **References Cited**  
U.S. PATENT DOCUMENTS  
D26,692 S 2/1897 Brooke  
D59,374 S 10/1921 Patterson  
D79,888 S \* 11/1929 MacMillan ..... D9/432  
D93,300 S 9/1934 Steelman  
D104,202 S 4/1937 Spencer



(56)

**References Cited**

**OTHER PUBLICATIONS**

U.S. PATENT DOCUMENTS

D674,842 S      1/2013   Birdwell et al.  
D675,261 S      1/2013   Birdwell et al.  
D692,491 S \* 10/2013 Birdwell et al. .... D20/22

Glade Products Page: <http://www.glade.com/en-us/Products/Pages/default.aspx> downloaded Aug. 25, 2014.

\* cited by examiner

