



US00D758493S

(12) **United States Design Patent**
Montes

(10) **Patent No.:** **US D758,493 S**

(45) **Date of Patent:** **** Jun. 7, 2016**

(54) **VENDING MACHINE DEVICE**

D638,476 S * 5/2011 Hoffman D20/1
D692,059 S * 10/2013 Chen D20/4
D728,026 S * 4/2015 Broen D20/1

(71) Applicant: **Cell Daddy IP, LLC**, Miami, FL (US)

* cited by examiner

(72) Inventor: **Juan Carlos Montes**, Miami, FL (US)

Primary Examiner — Mary Ann Calabrese

(73) Assignee: **Cell Daddy IP, LLC**, Hialeah, FL (US)

(74) *Attorney, Agent, or Firm* — Mayback & Hoffman, P.A.;
Gregory L. Mayback

(**) Term: **14 Years**

(57) **CLAIM**

(21) Appl. No.: **29/504,629**

The ornamental design for a vending machine device, as shown and described.

(22) Filed: **Oct. 8, 2014**

DESCRIPTION

(51) **LOC (10) Cl.** **20-01**

(52) **U.S. Cl.**

USPC **D20/1**

(58) **Field of Classification Search**

USPC D20/1-10; D99/28

CPC G07F 11/00; G07F 11/02; G07F 11/04;

G07F 11/10; G07F 11/16; G07F 11/30;

G07F 11/38; G07F 11/62; A47F 3/0434

See application file for complete search history.

FIG. 1 is a perspective view of the vending machine device showing my new design thereof;

FIG. 2 is a front elevational view of the vending machine device shown in FIG. 1;

FIG. 3 is a rear elevational view of the vending machine device shown in FIG. 1;

FIG. 4 is a right elevational view of the vending machine device shown in FIG. 1;

FIG. 5 is a left elevational view of the vending machine device shown in FIG. 1;

FIG. 6 is a top plan view of the vending machine device shown in FIG. 1; and,

FIG. 7 is a bottom plan view of the vending machine device shown in FIG. 1.

In the drawings, the broken lines represent portions of the vending machine device that form no part of the claimed design.

(56) **References Cited**

U.S. PATENT DOCUMENTS

D185,148 S * 5/1959 Hebel D20/1

D195,569 S * 7/1963 Gleitsman D20/41

D342,744 S * 12/1993 Renner D15/81

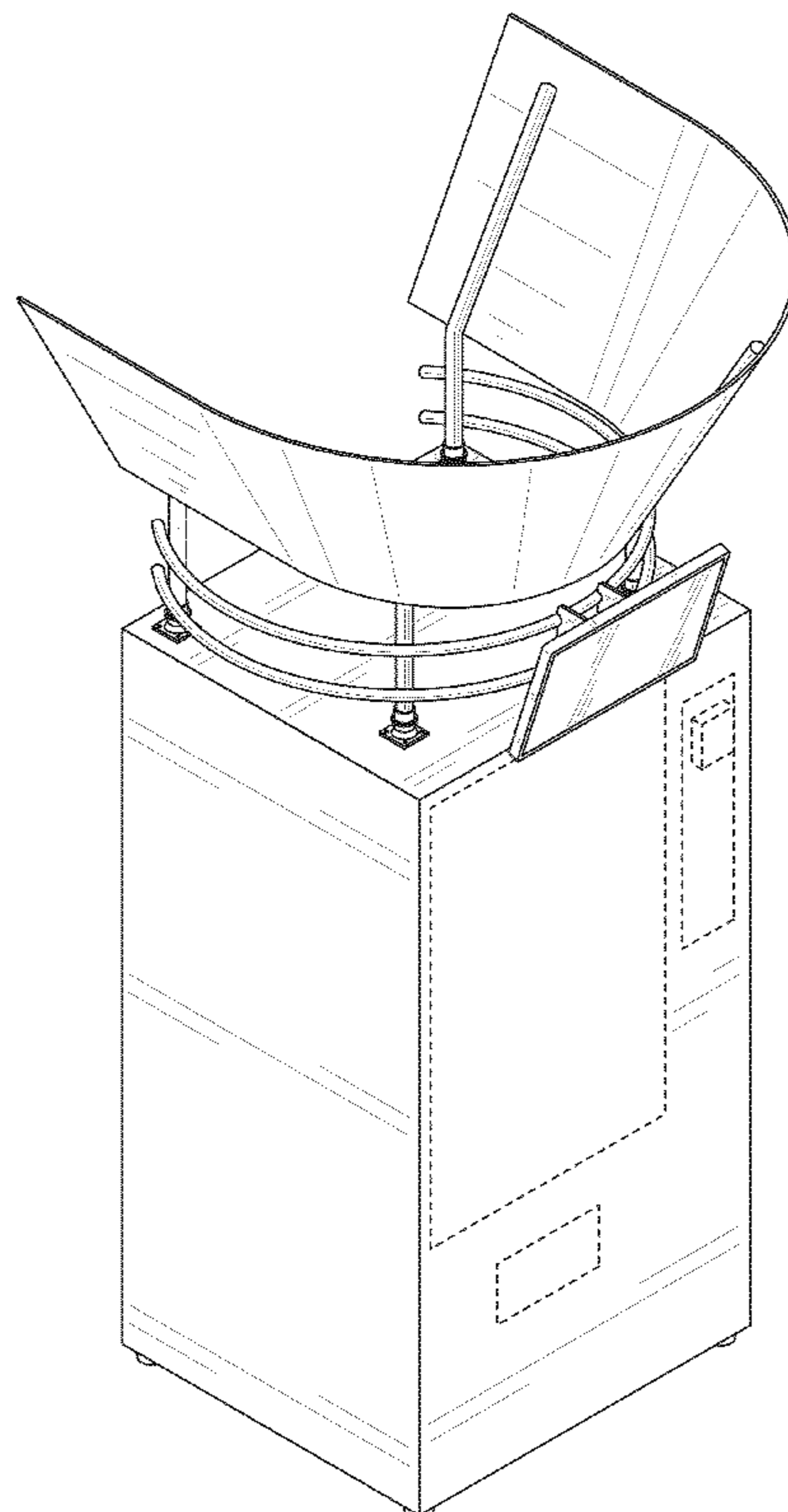
5,584,547 A * 12/1996 Trulaske, Sr. A47F 3/0434

312/114

D567,873 S * 4/2008 Stead D20/10

D567,875 S * 4/2008 Stead D20/10

1 Claim, 7 Drawing Sheets



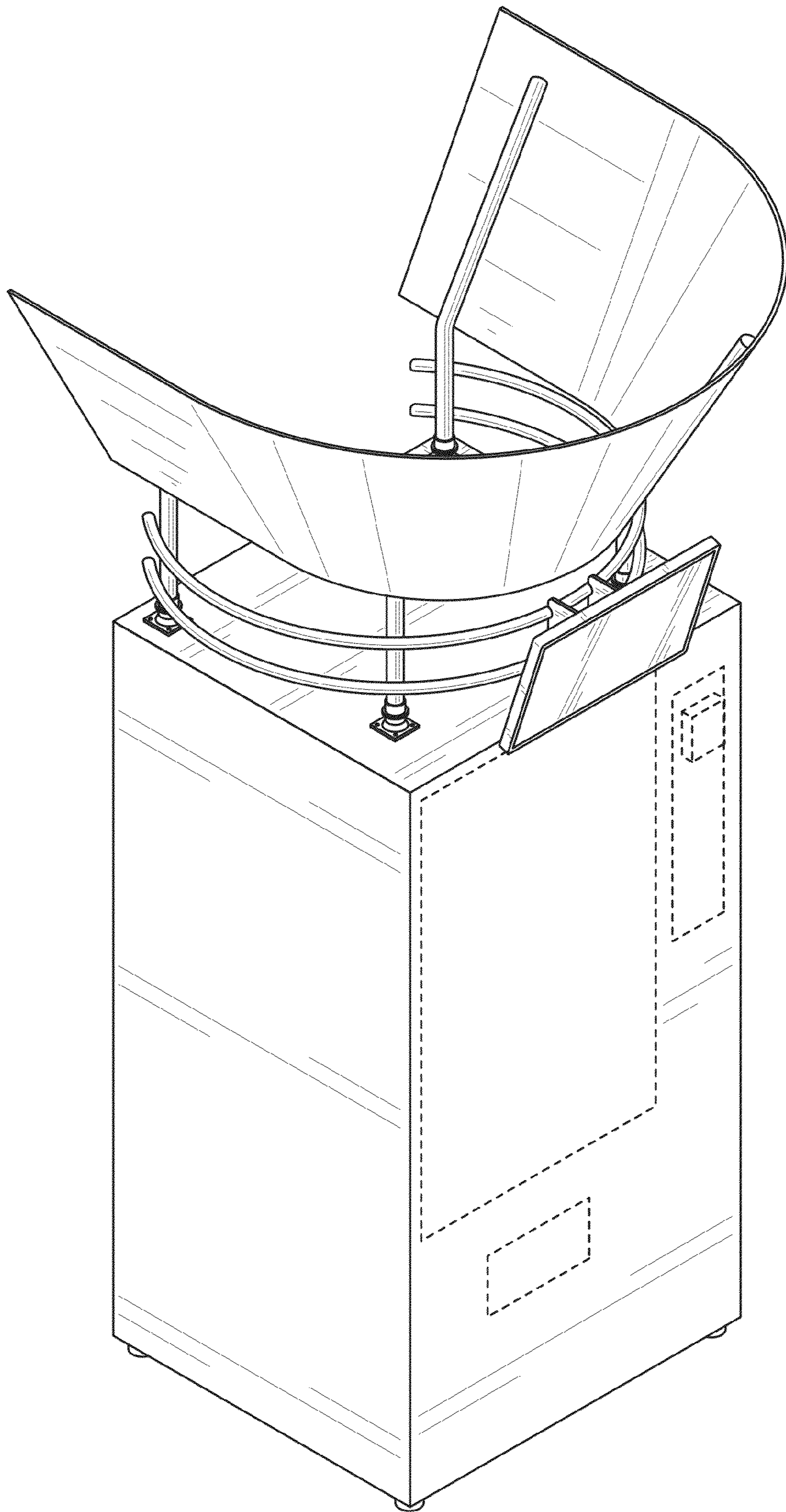


FIG. 1

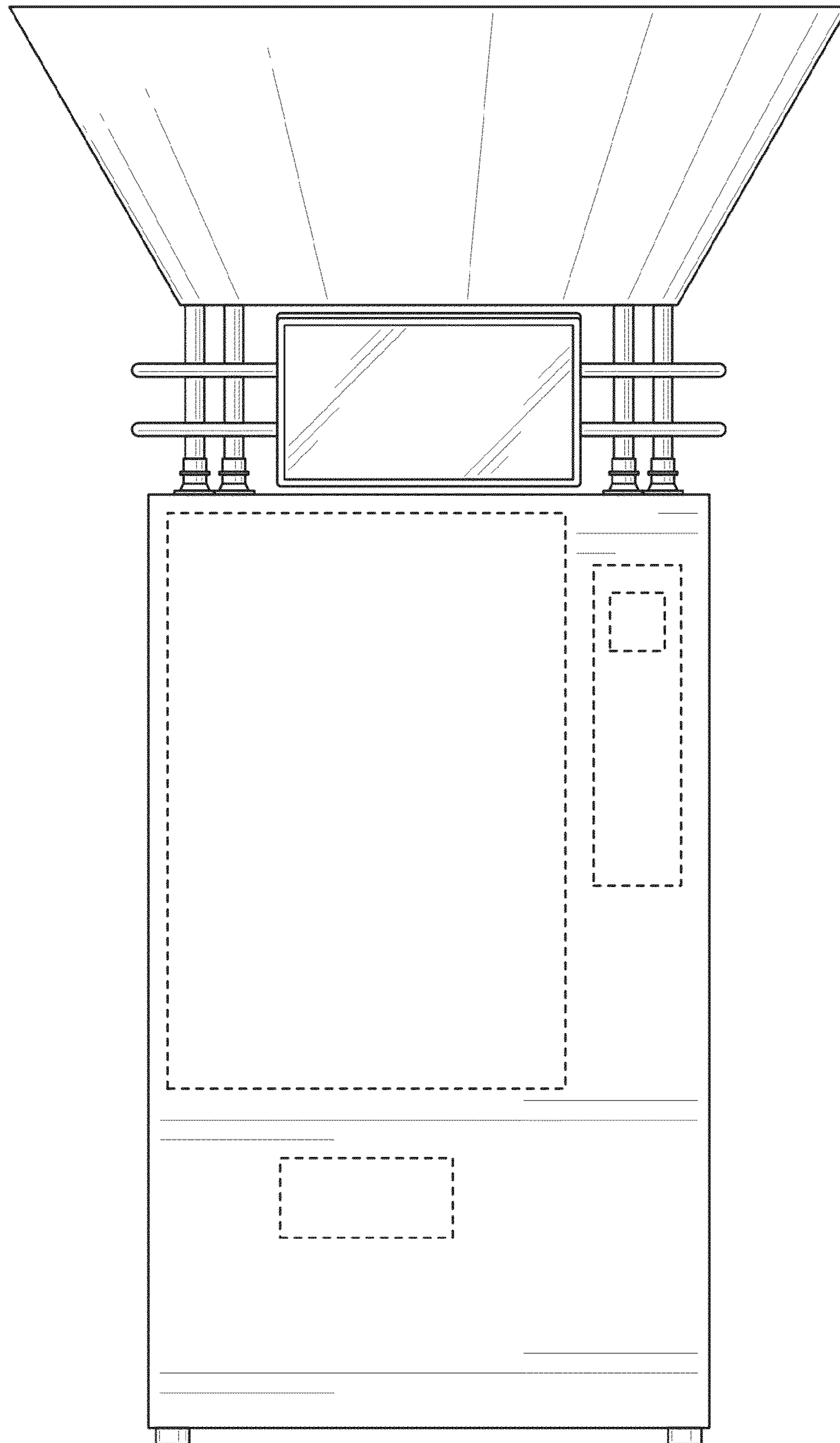


FIG. 2

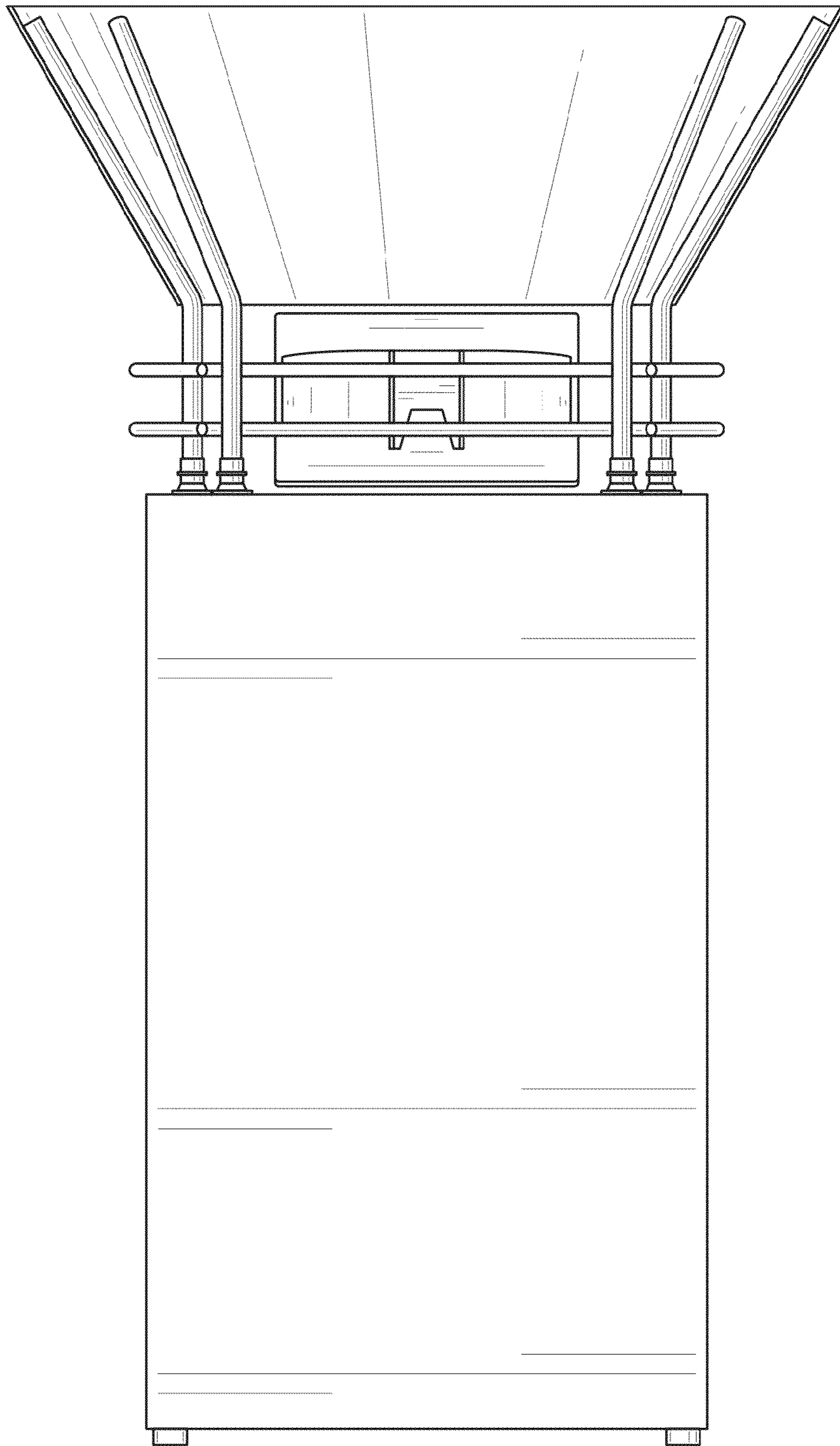


FIG. 3

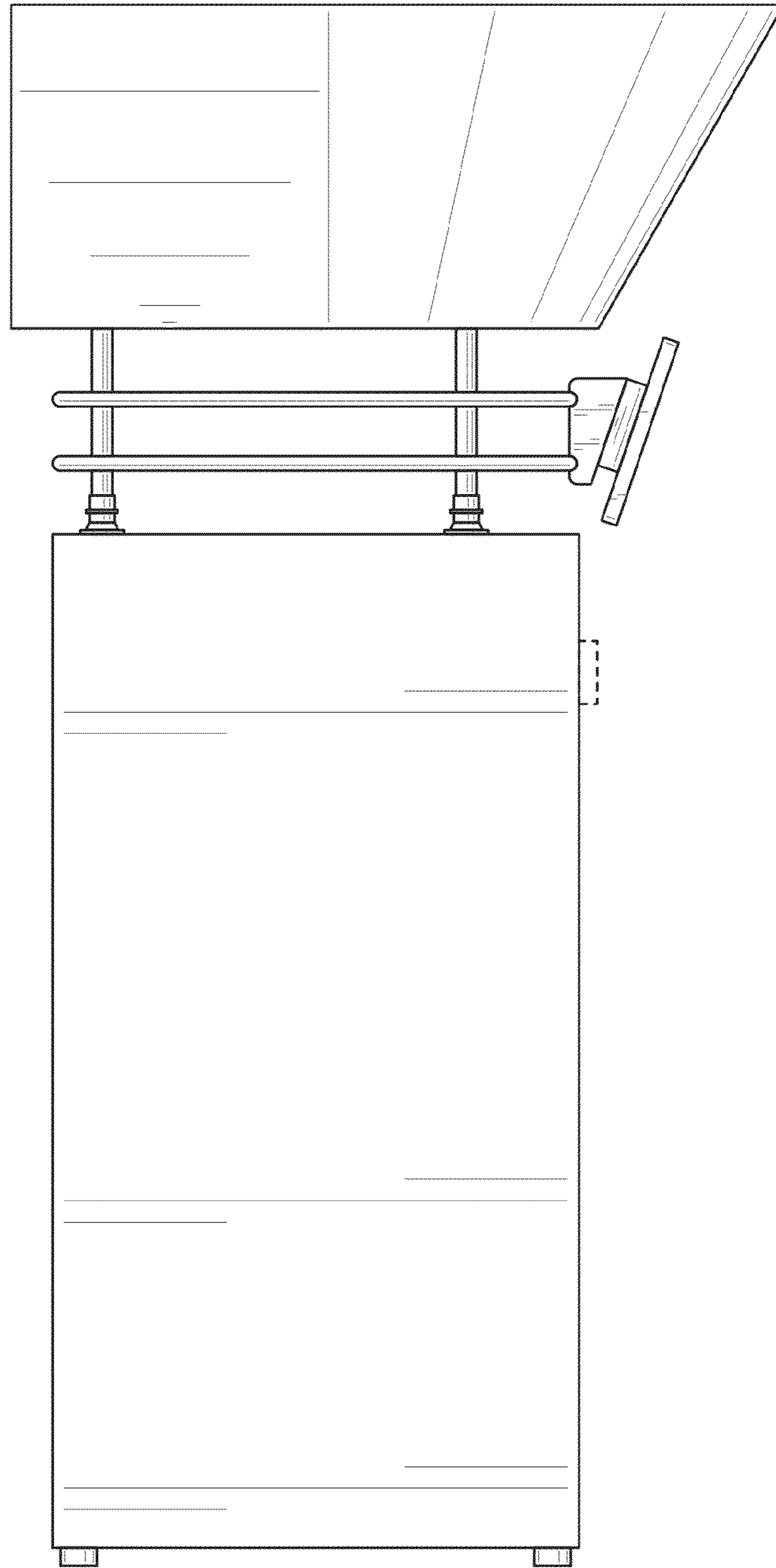


FIG. 4

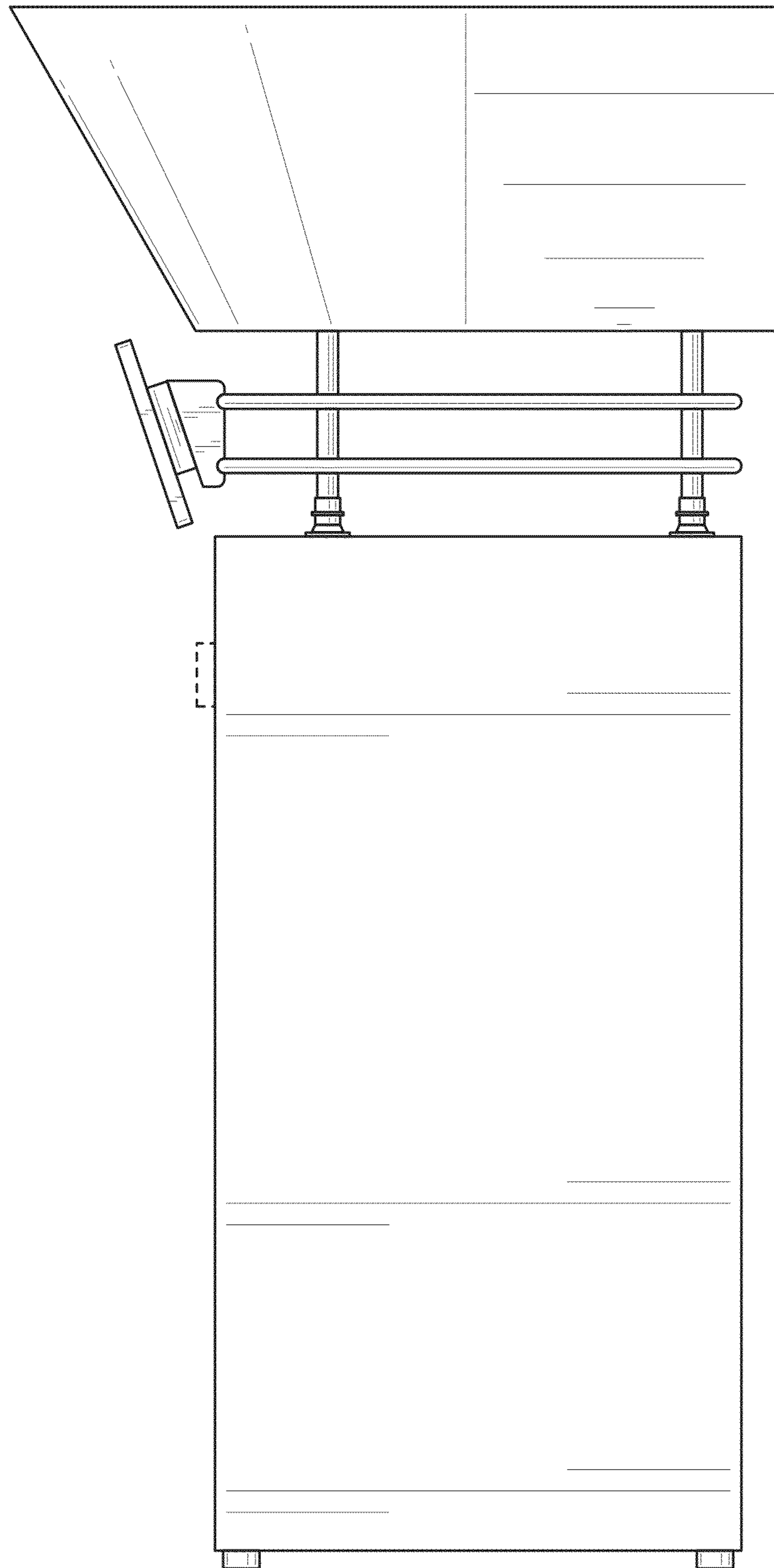


FIG. 5

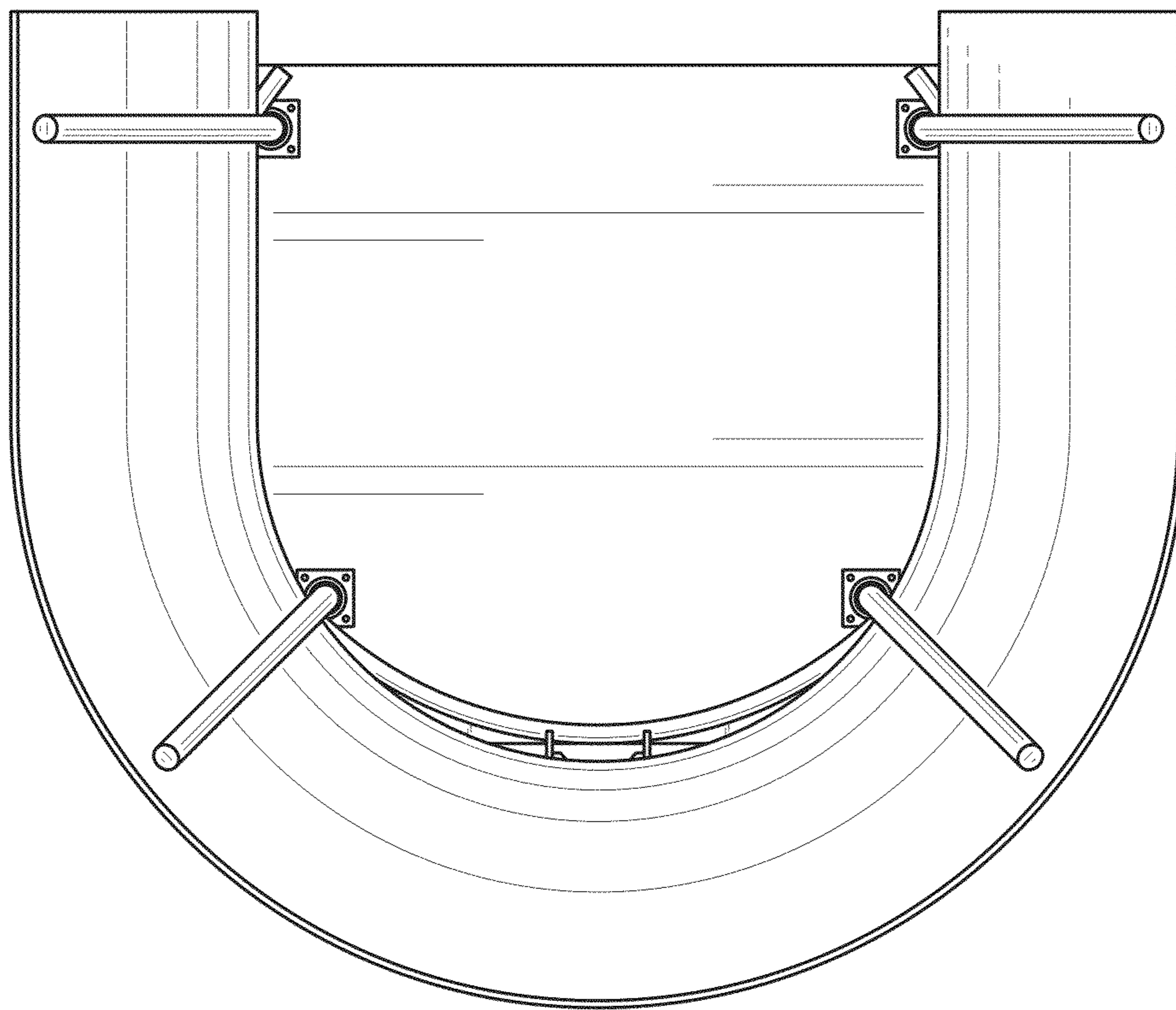


FIG. 6

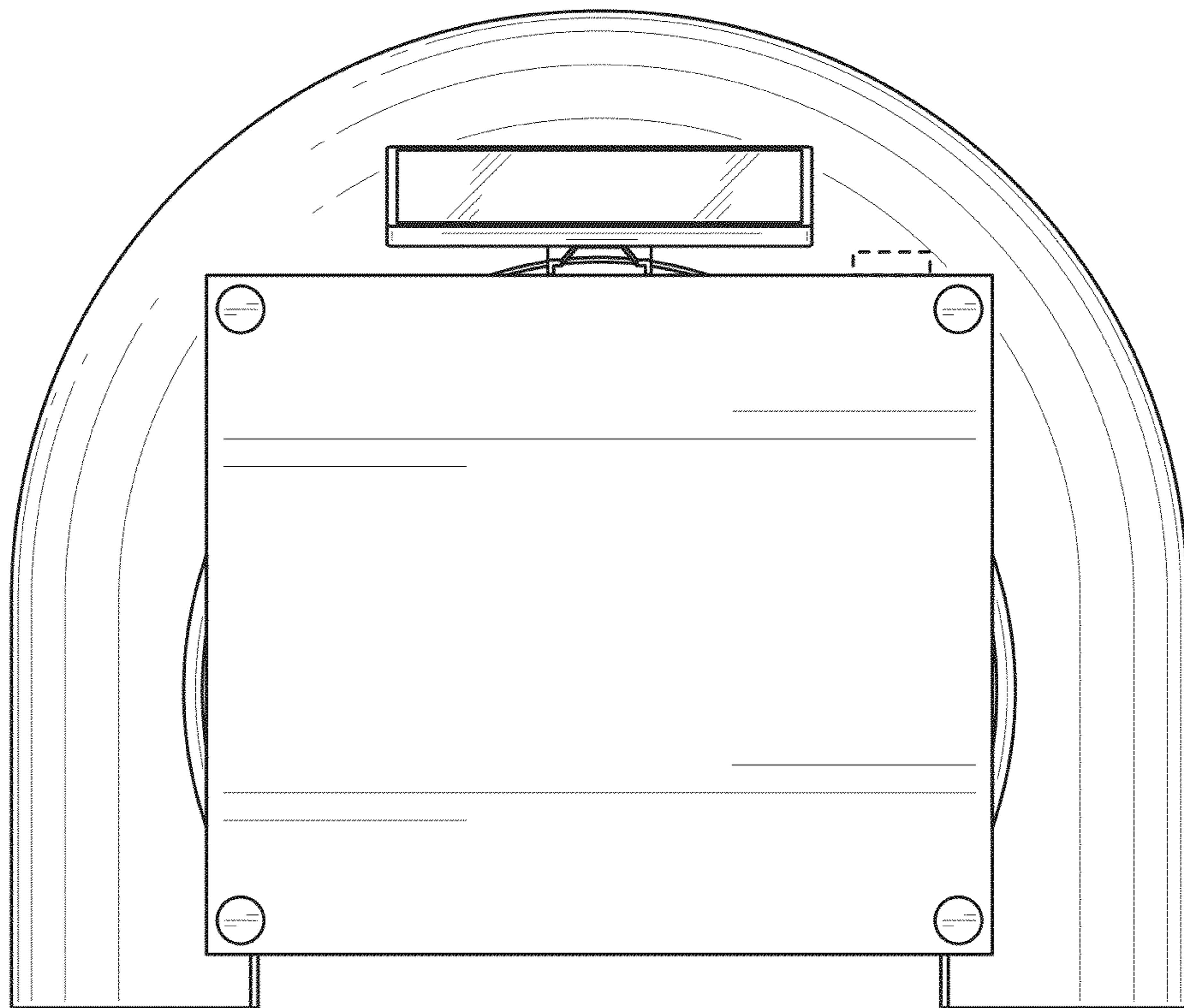


FIG. 7