

US00D758490S

(12) **United States Design Patent**
Shibata et al.

(10) **Patent No.:** **US D758,490 S**
(45) **Date of Patent:** **** Jun. 7, 2016**

(54) **BALLPOINT PEN**

(71) Applicant: **SAKURA COLOR PRODUCTS CORPORATION**, Osaka (JP)

(72) Inventors: **Fumie Shibata**, Tokyo (JP); **Shohei Tsuchida**, Osaka (JP)

(73) Assignee: **Sakura Color Products Corporation** (JP)

(**) Term: **14 Years**

(21) Appl. No.: **29/504,641**

(22) Filed: **Oct. 8, 2014**

(30) **Foreign Application Priority Data**

Sep. 1, 2014 (JP) 2014-019149
Sep. 1, 2014 (JP) 2014-019159

(51) **LOC (10) Cl.** **19-06**

(52) **U.S. Cl.**
USPC **D19/174; D19/923**

(58) **Field of Classification Search**
USPC D14/411; D19/115-204
CPC B43K 5/005; B43K 7/00; B43K 7/10;
B43K 7/12; B43K 8/04; B43K 19/00; B43K
19/14; B43K 23/00; B43K 23/001; B43K
23/016; B43K 24/08; B43K 24/084
See application file for complete search history.

(56) **References Cited**

U.S. PATENT DOCUMENTS

D181,145 S * 10/1957 Harper et al. D19/172
D194,296 S * 12/1962 Lovejoy D19/171

D216,844 S * 3/1970 Shimada D19/173
D283,334 S * 4/1986 Seibt D19/176
D289,304 S * 4/1987 Giugiaro D19/170
D324,069 S * 2/1992 Katami D19/174
D378,761 S * 4/1997 Sekine D19/165
D451,545 S * 12/2001 Tsuchikura D19/119
D453,790 S * 2/2002 Tsuchikura D19/119
D458,964 S * 6/2002 Nakazawa D19/173
D472,577 S * 4/2003 Sakuno D19/174
D478,932 S * 8/2003 Moon D19/172
D480,422 S * 10/2003 Belmondo D19/165
D542,843 S * 5/2007 Qiu D19/172
D551,710 S * 9/2007 Tsuchida D19/174
D643,877 S * 8/2011 Soetewey D19/173
D666,672 S * 9/2012 Zhang D19/173
D701,573 S * 3/2014 Ikeda D19/171
D724,669 S * 3/2015 Nakazawa D19/172

* cited by examiner

Primary Examiner — Elizabeth Albert

(74) *Attorney, Agent, or Firm* — McDonald Hopkins LLC

(57) **CLAIM**

The ornamental design for a ballpoint pen, as shown and described.

DESCRIPTION

FIG. 1 is a perspective view of a ballpoint pen showing our new design;
FIG. 2 is a front view thereof; the back view being a mirror image of the front view;
FIG. 3 is a right view thereof;
FIG. 4 is a left view thereof;
FIG. 5 is a top plan view thereof;
FIG. 6 is a bottom plan view thereof; and,
FIG. 7 is a front view thereof with the point ejected in a state of use.

1 Claim, 7 Drawing Sheets

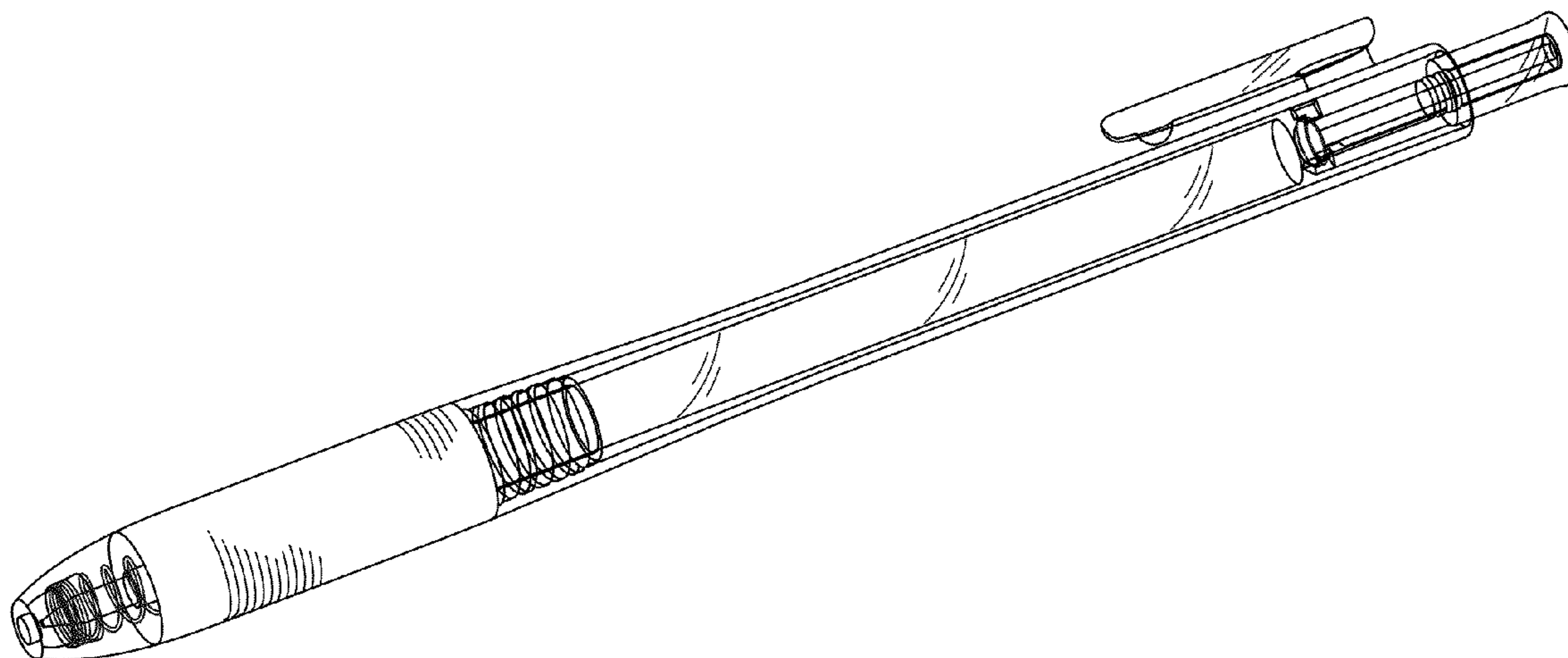


Fig. 1

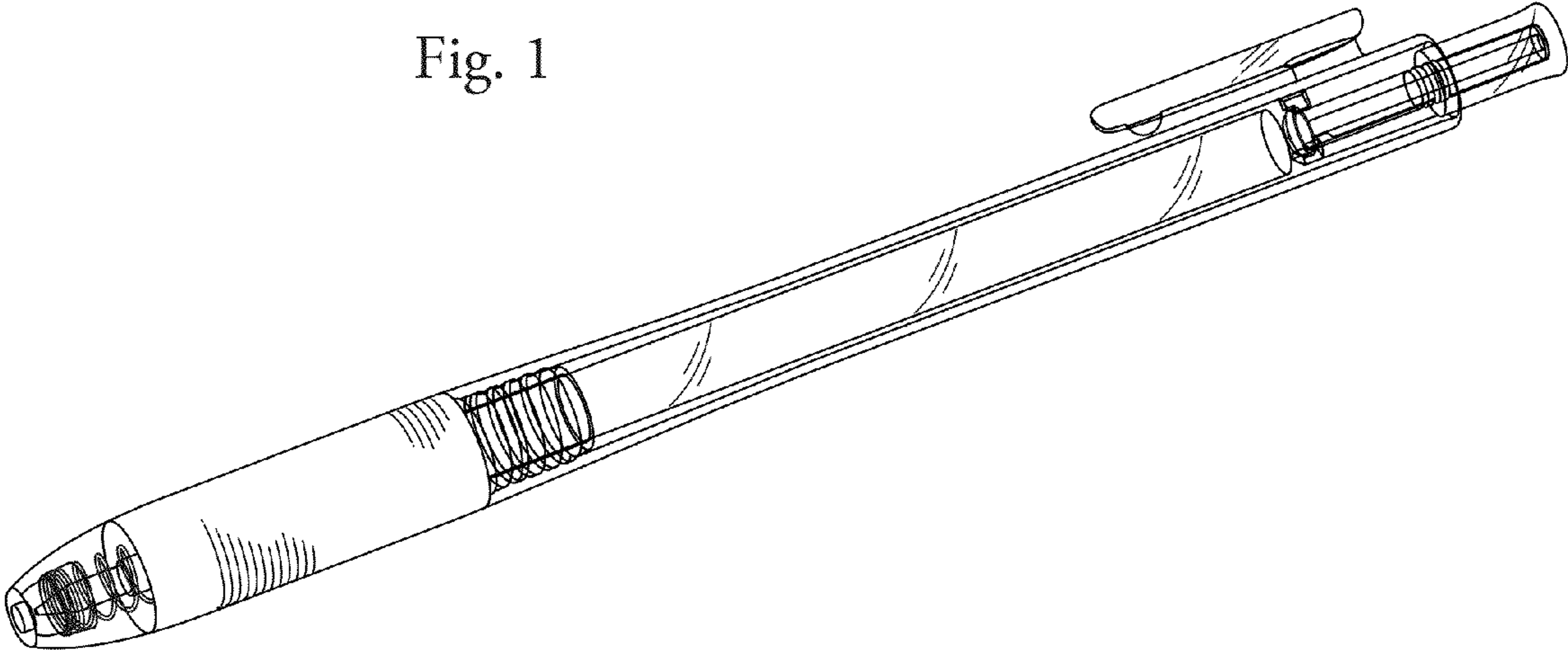


Fig. 2

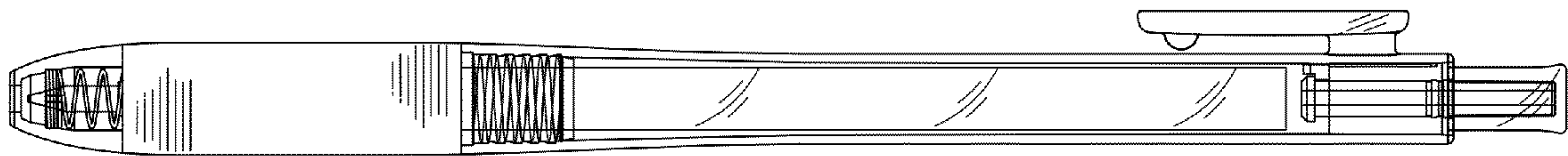


Fig. 3

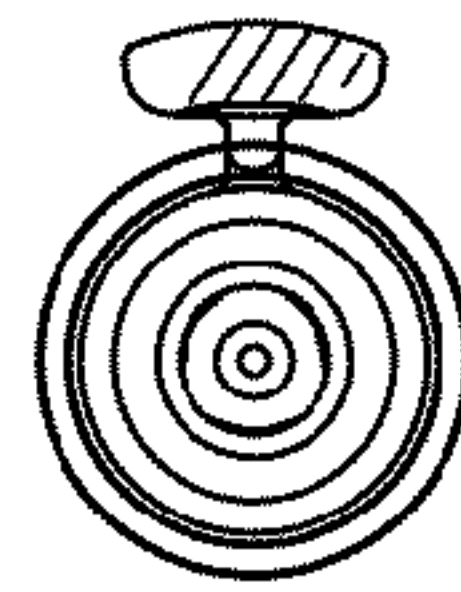


Fig. 4

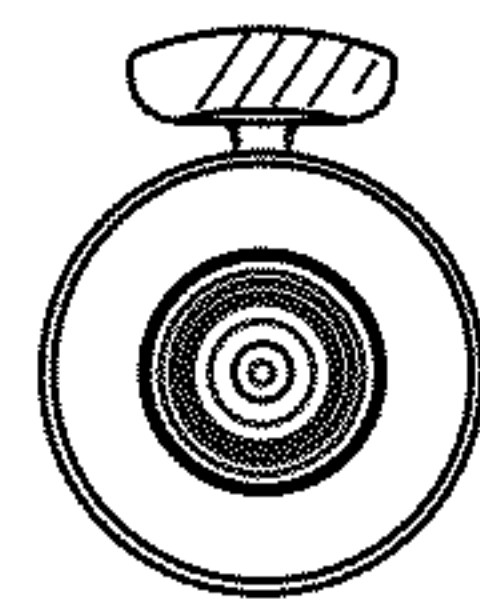


Fig. 5

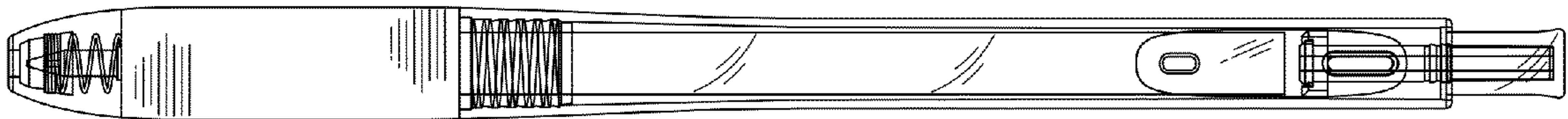


Fig. 6

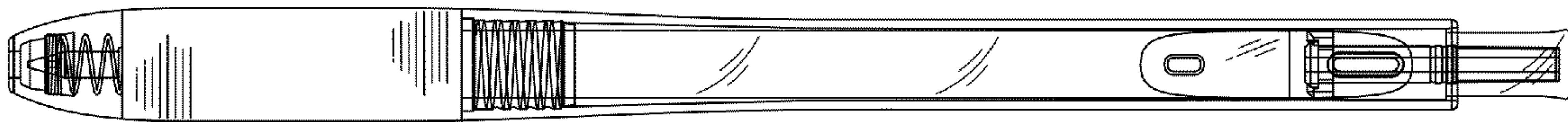


Fig. 7

