



US00D758486S

(12) **United States Design Patent**
Nakagawa et al.

(10) **Patent No.:** **US D758,486 S**
(45) **Date of Patent:** **** Jun. 7, 2016**

(54) **PRINTER**

(71) Applicant: **BROTHER INDUSTRIES, LTD.**,
Nagoya-shi, Aichi-ken (JP)

(72) Inventors: **Ryoichi Nakagawa**, Kiyosu (JP);
Jihoon Kil, Nagoya (JP); **Jiro Suzuki**,
Kariya (JP)

(73) Assignee: **BROTHER INDUSTRIES, LTD.**,
Nagoya (JP)

(**) Term: **14 Years**

(21) Appl. No.: **29/491,377**

(22) Filed: **May 20, 2014**

(30) **Foreign Application Priority Data**

Apr. 4, 2014 (JP) 2014-7435
Apr. 4, 2014 (JP) 2014-7436

(51) **LOC (10) Cl.** **14-02**

(52) **U.S. Cl.**
USPC **D18/55**

(58) **Field of Classification Search**
USPC D18/36-39, 50, 54, 54.1, 55, 14, 19;
D14/420-425, 462-470; 400/613,
400/613.1-613.4, 690.1-690.4, 691-694
CPC B41J 1/46; B41J 3/36; B41J 9/26;
B41J 15/00; B41J 29/02; B41J 29/13; B41J
35/36; B65H 35/06; G03G 21/00; G03G
21/16; G03G 15/10; G06F 3/12; G06K 15/14
See application file for complete search history.

(56) **References Cited**

U.S. PATENT DOCUMENTS

D575,330	S	*	8/2008	Egami et al.	D18/55
D639,851	S	*	6/2011	Penke et al.	D18/55
D643,464	S	*	8/2011	Sato et al.	D18/55
D647,133	S	*	10/2011	Sato et al.	D18/55
D670,328	S		11/2012	Suzuki et al.		
D673,603	S		1/2013	Suzuki et al.		
8,570,624	B2	*	10/2013	Nagashima	400/613
D697,550	S	*	1/2014	Nanno et al.	D18/50

* cited by examiner

Primary Examiner — Cathy Anne MacCormac
(74) *Attorney, Agent, or Firm* — Oliff PLC

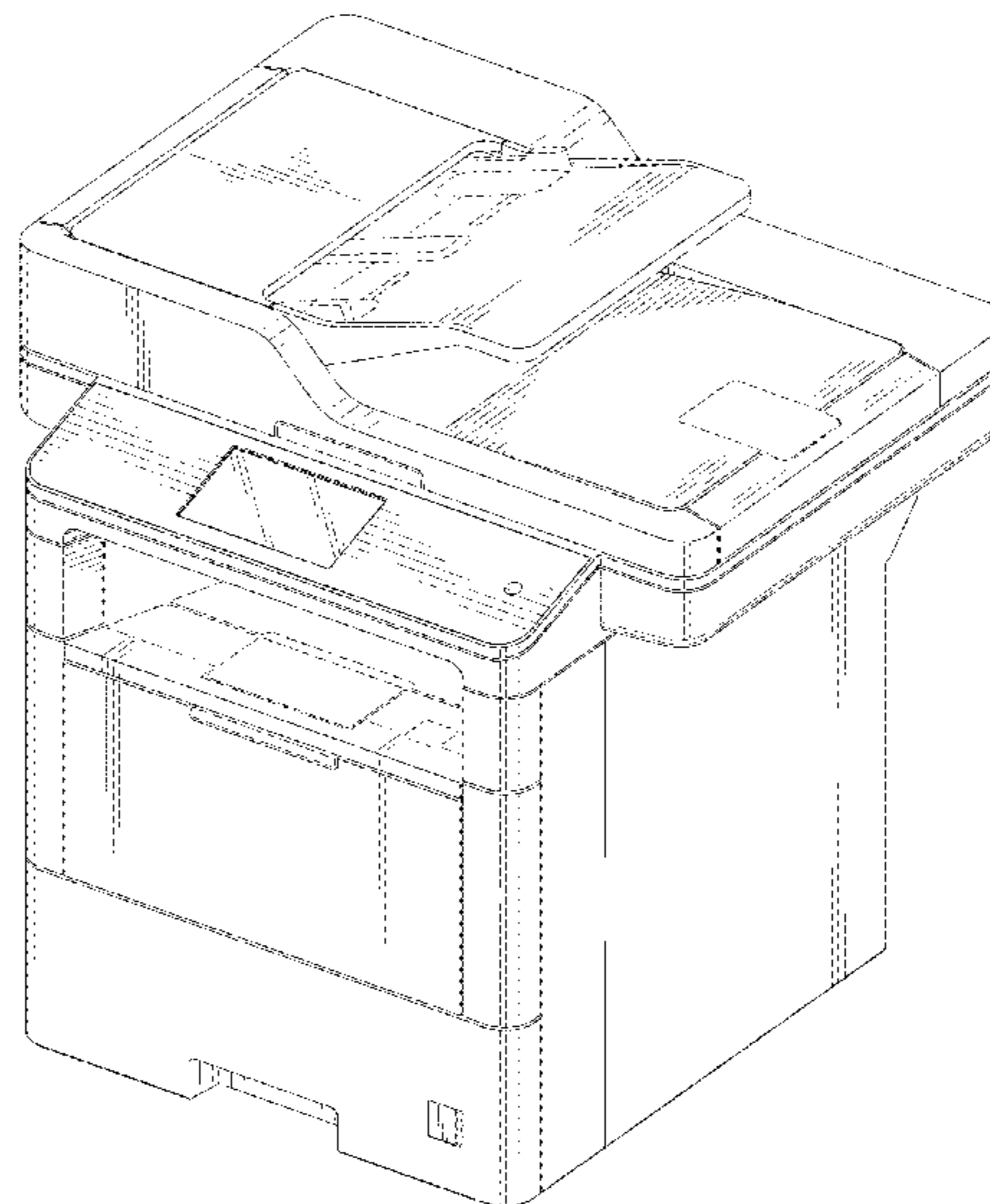
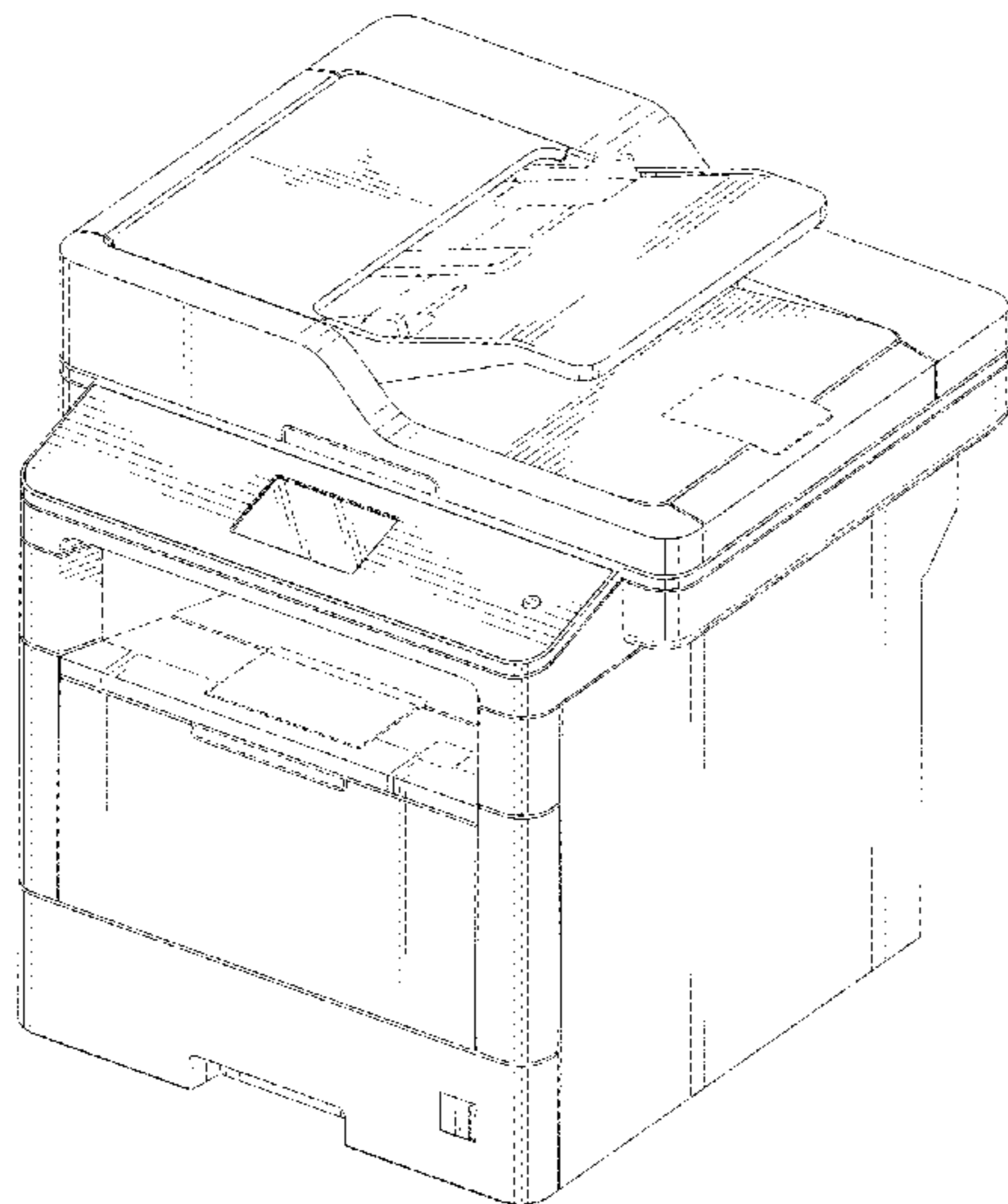
(57) **CLAIM**

The ornamental design for a printer, as shown and described.

DESCRIPTION

FIG. 1 is a perspective view of a printer;
FIG. 2 is a front view thereof;
FIG. 3 is a top view thereof;
FIG. 4 is a right-side view thereof;
FIG. 5 is a left-side view thereof;
FIG. 6 is a rear view thereof;
FIG. 7 is a bottom view thereof;
FIG. 8 is a perspective view of a second embodiment of the printer shown in FIG. 1;
FIG. 9 is a front view of FIG. 8;
FIG. 10 is a top view of FIG. 8;
FIG. 11 is a right-side view of FIG. 8;
FIG. 12 is a left-side view of FIG. 8;
FIG. 13 is a rear view of FIG. 8; and,
FIG. 14 is a bottom view of FIG. 8.
The broken lines depict environmental subject matter only and form no part of the claimed design. The dot-dash lines depict a boundary between claimed and unclaimed surfaces on FIGS. 1, 3, 8 and 10, depict environmental subject matter, and form no part of the claimed design.

1 Claim, 14 Drawing Sheets



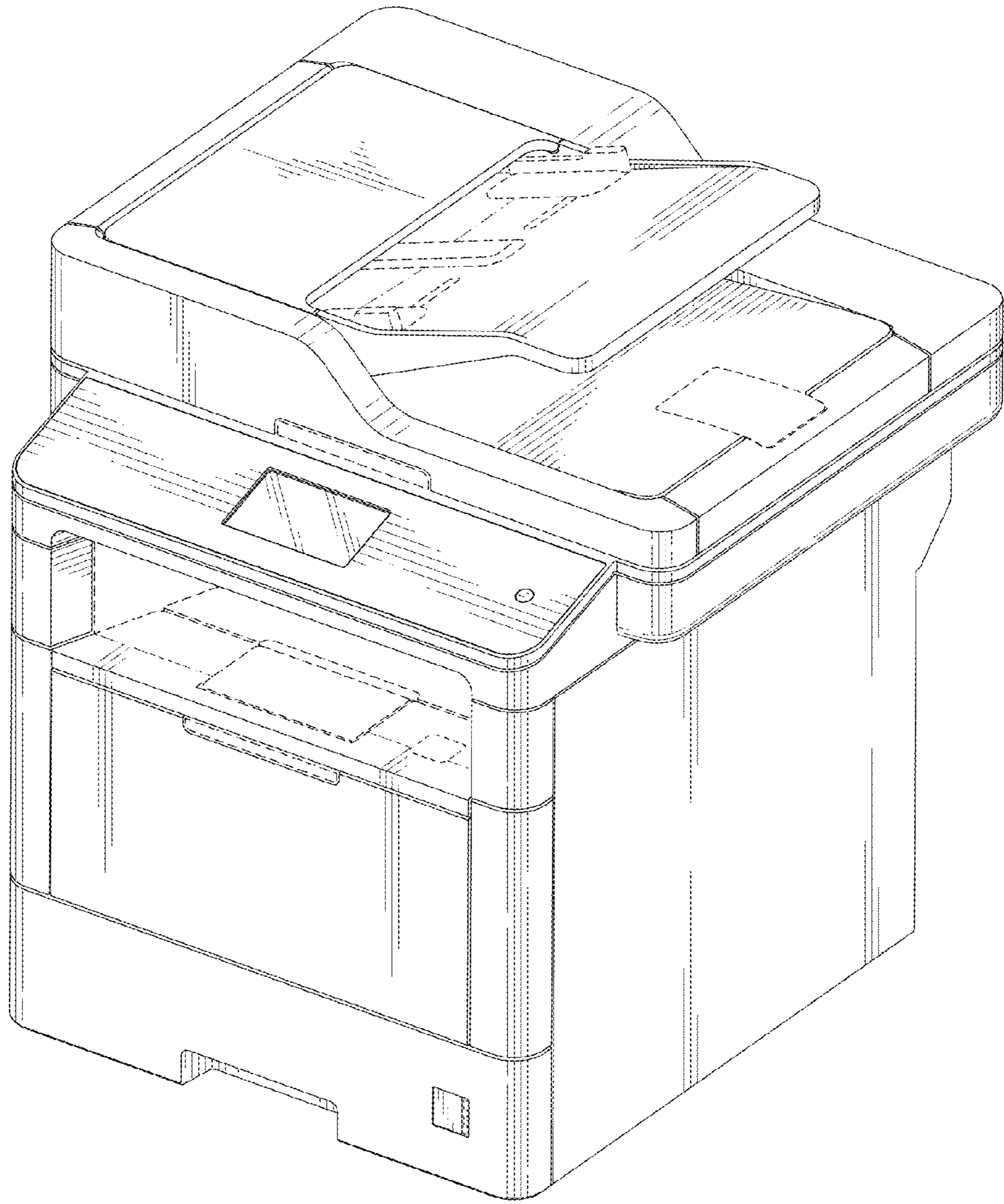


FIG. 1

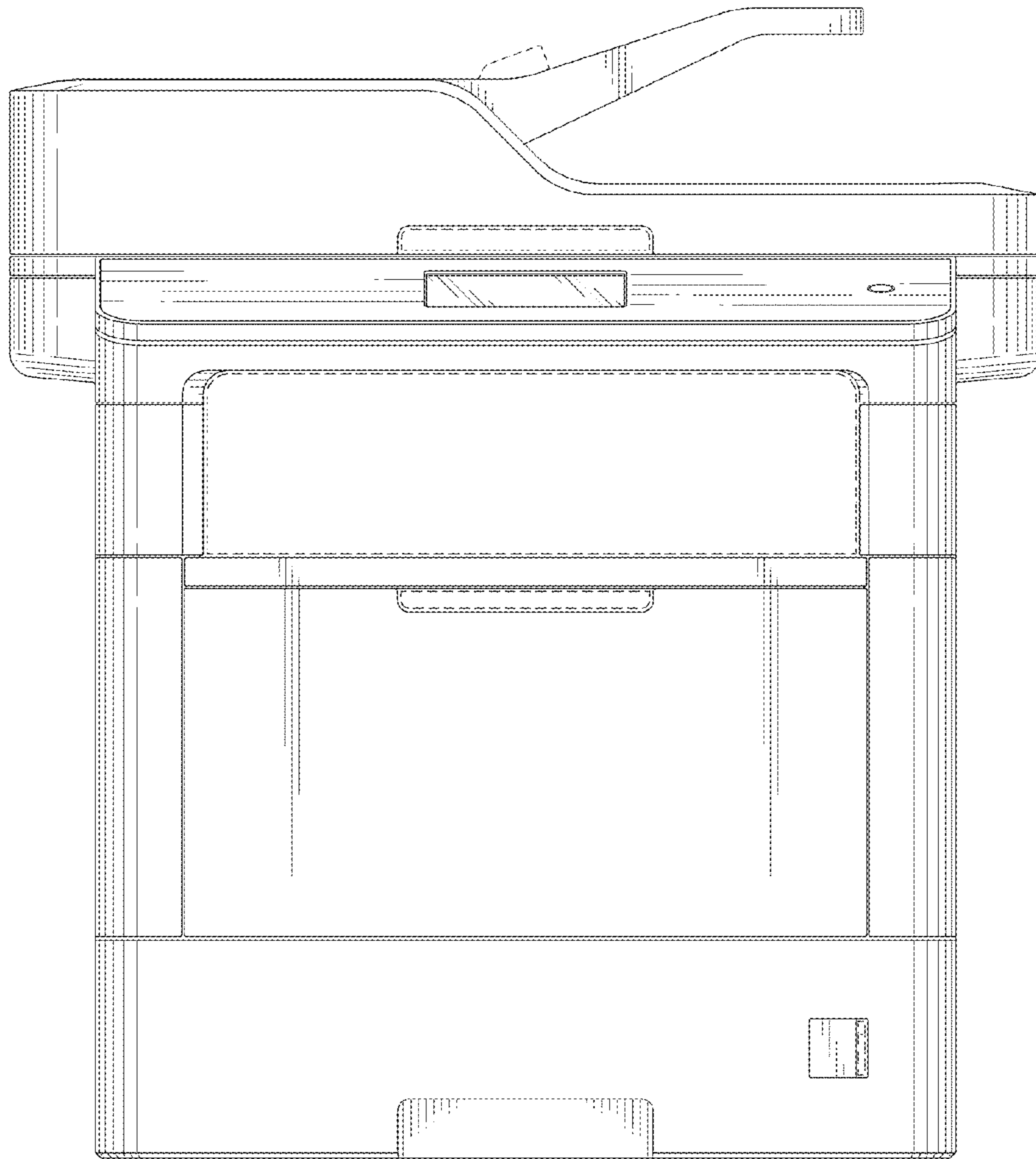


FIG. 2

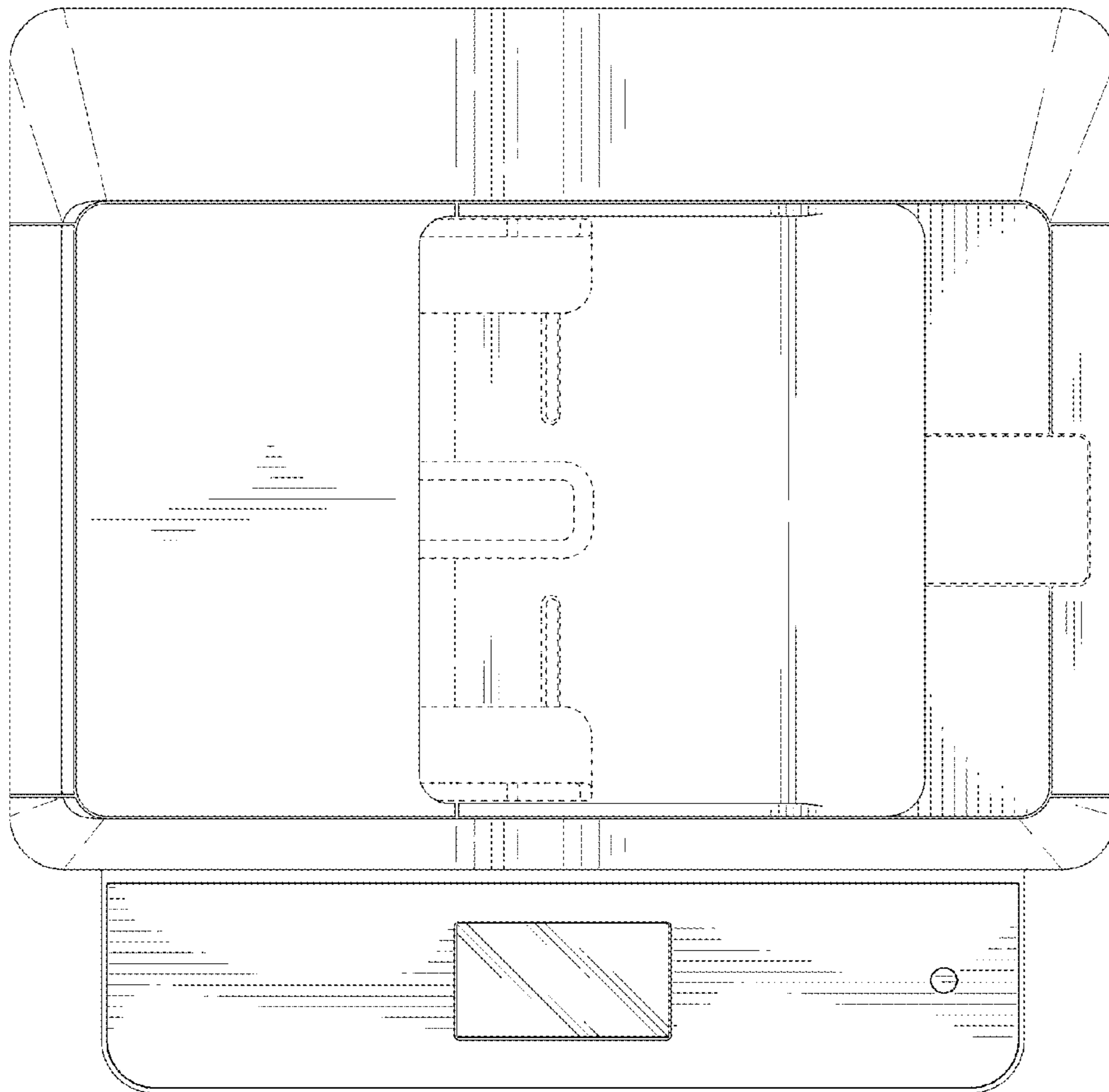


FIG. 3

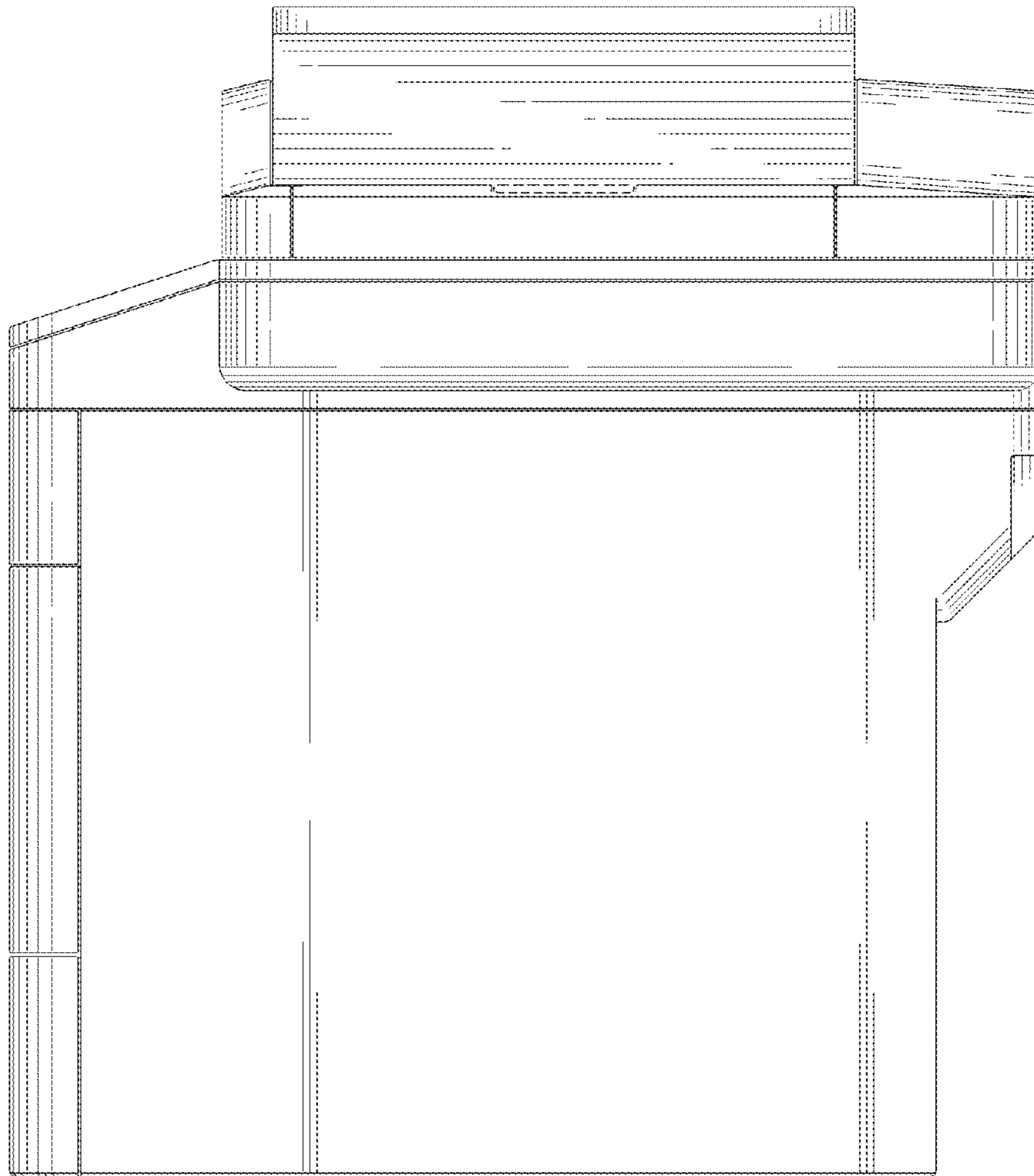


FIG. 4

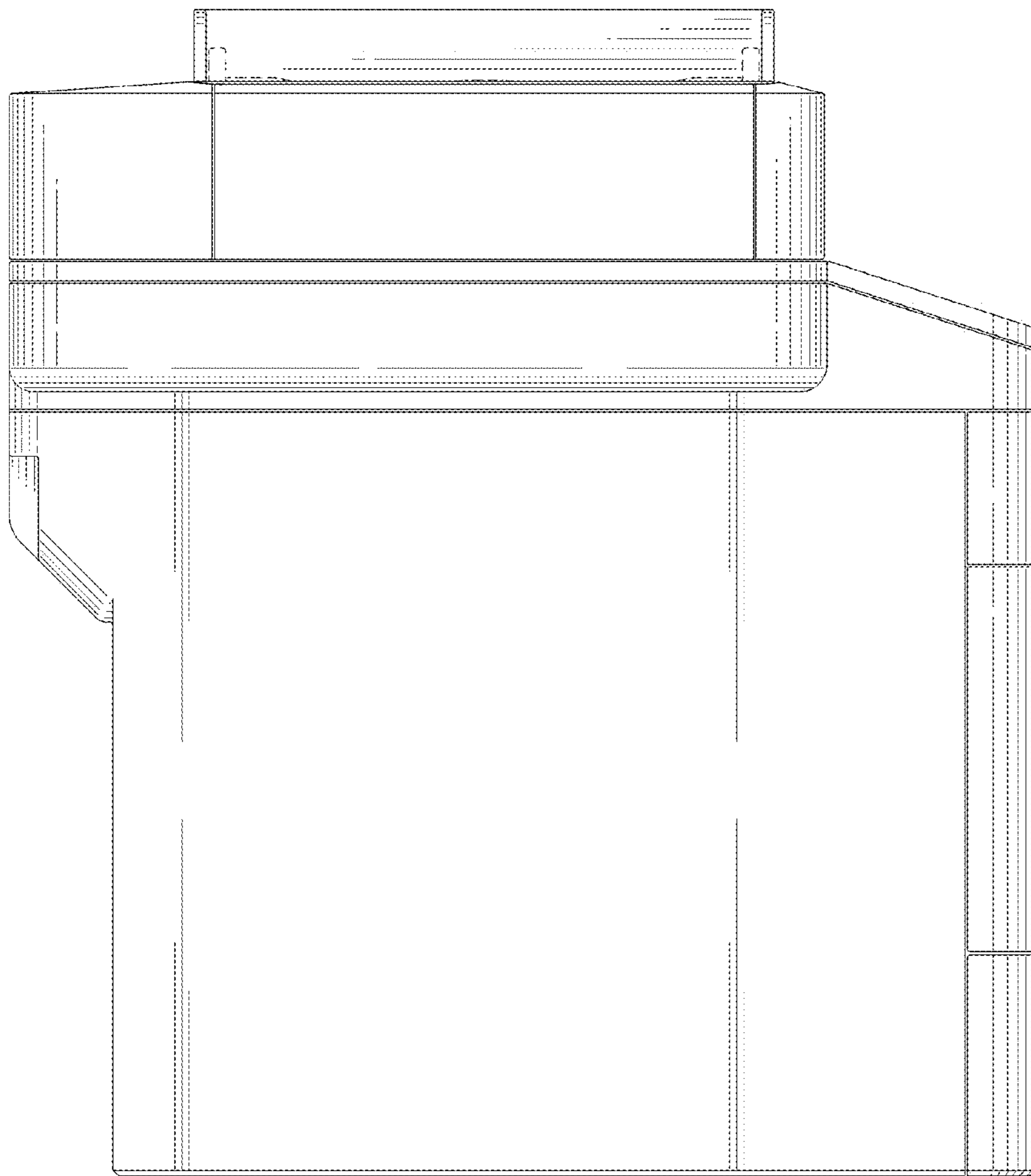


FIG. 5

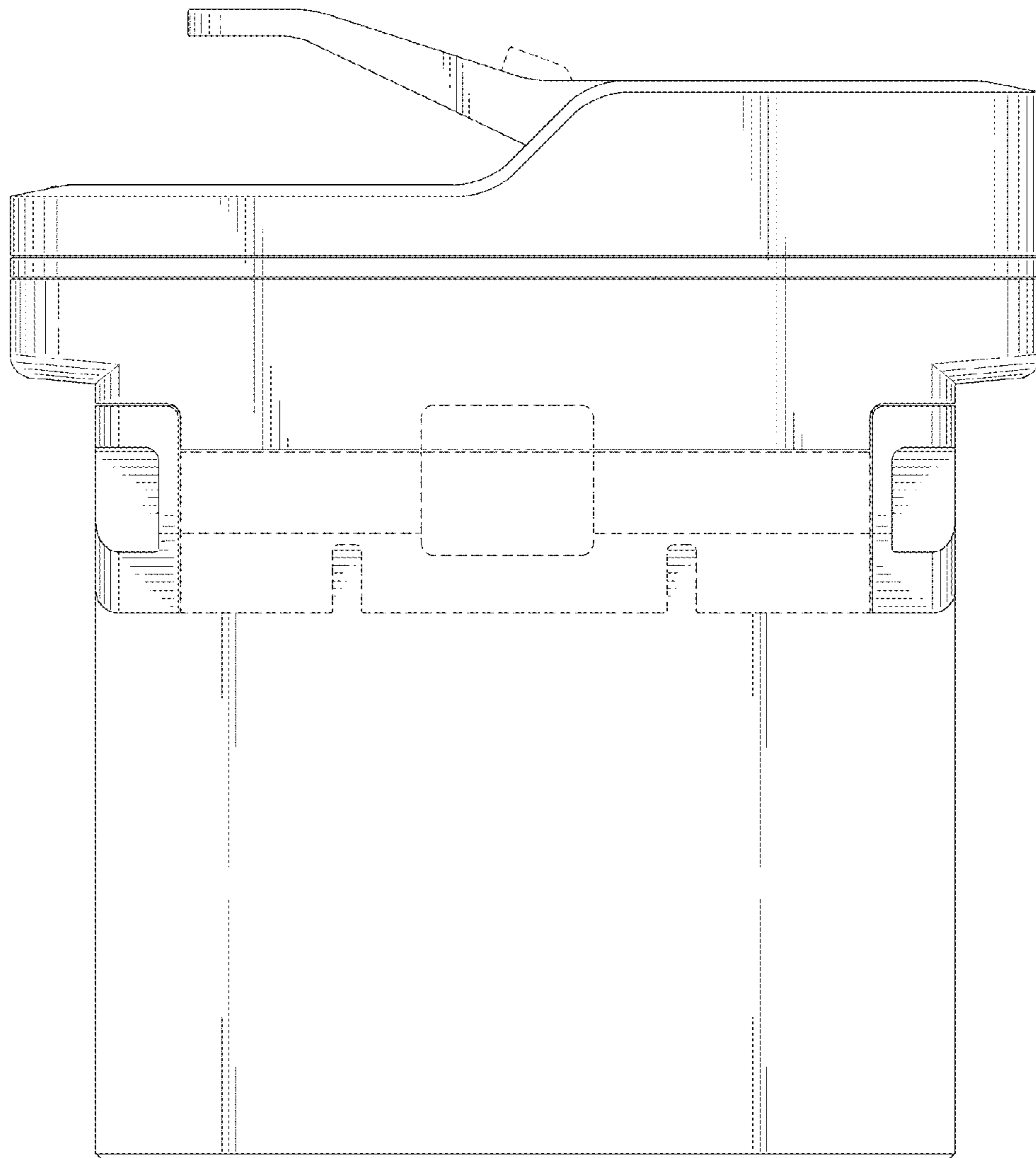


FIG. 6

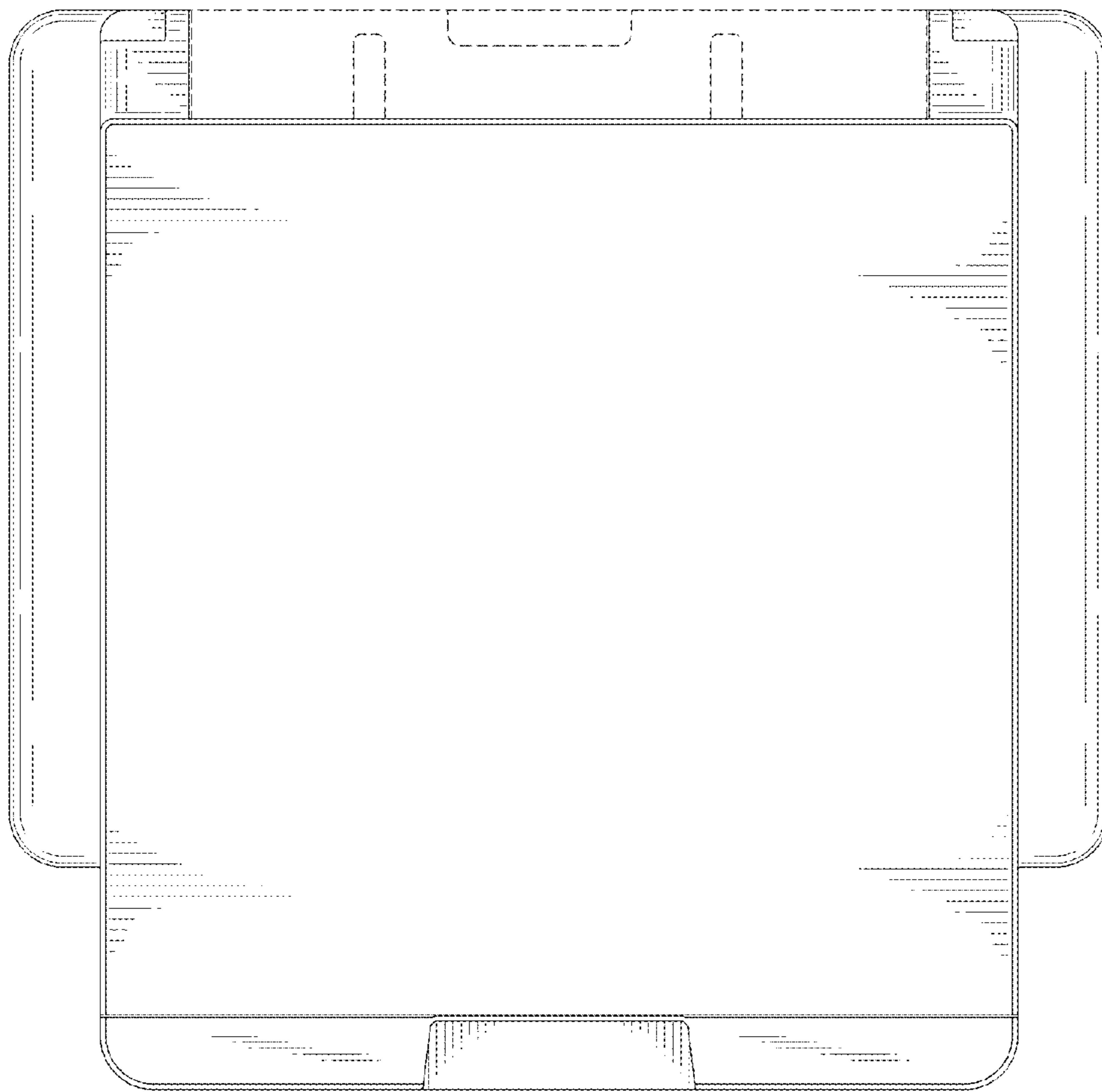


FIG. 7

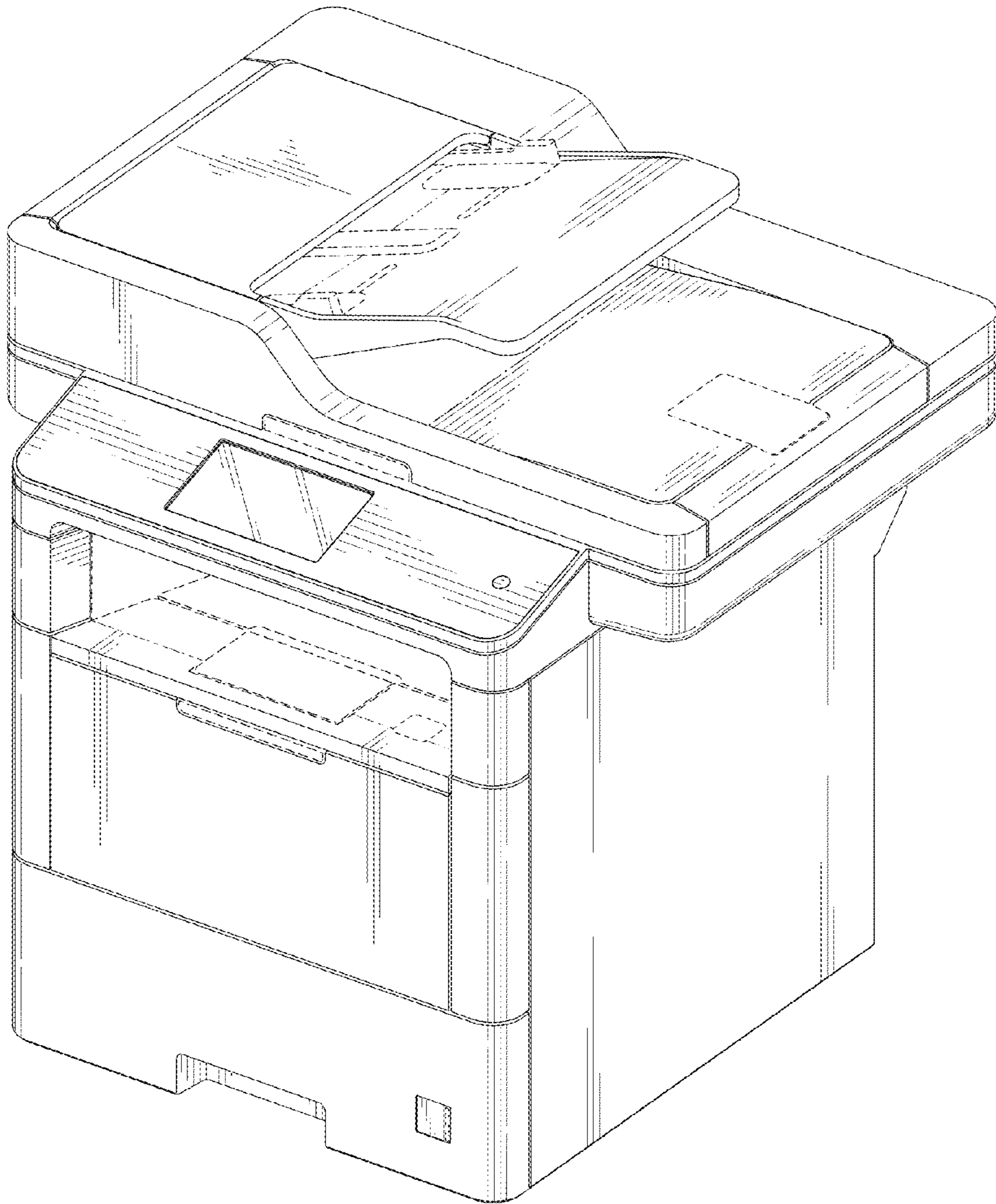


FIG. 8

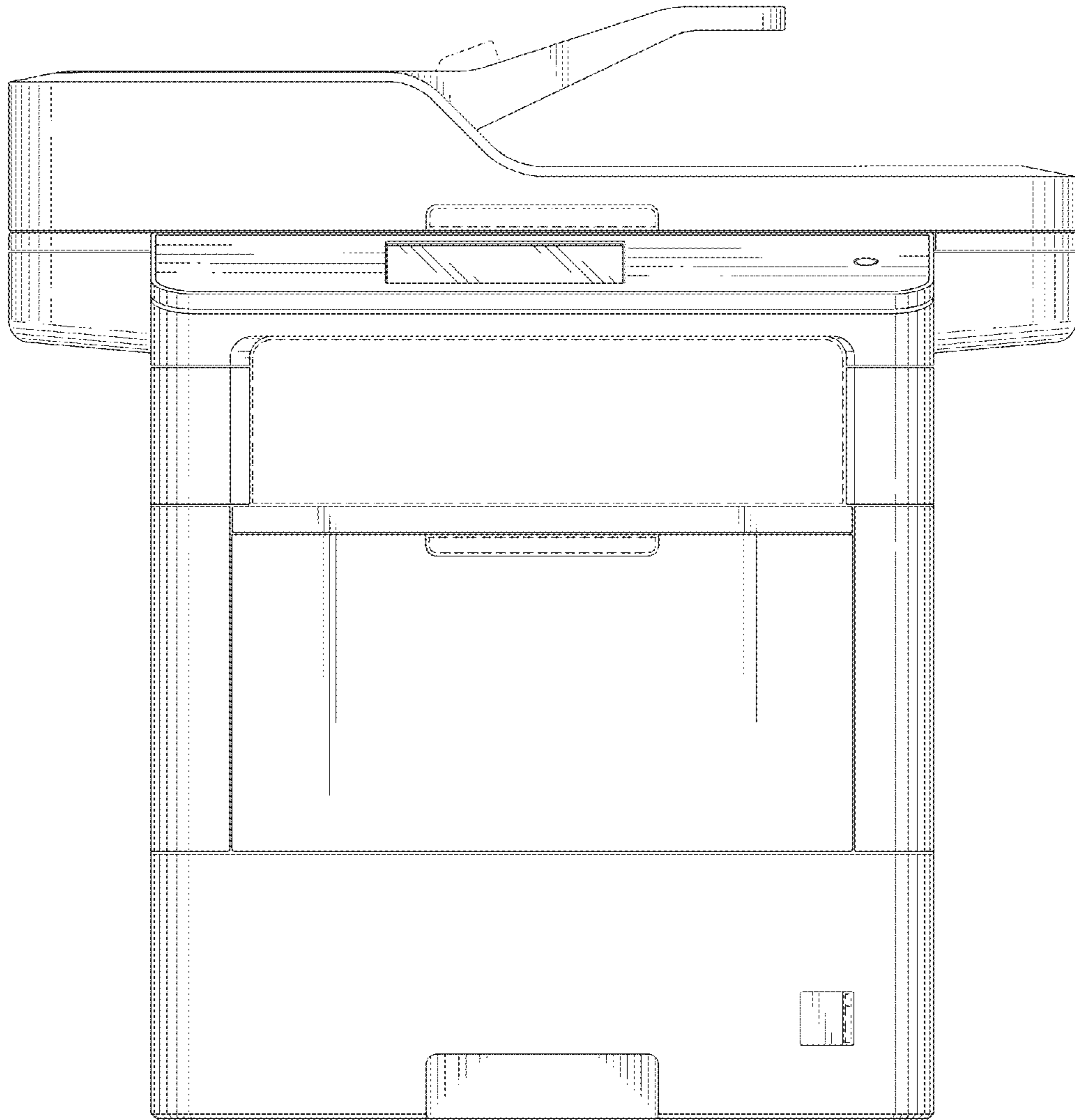


FIG. 9

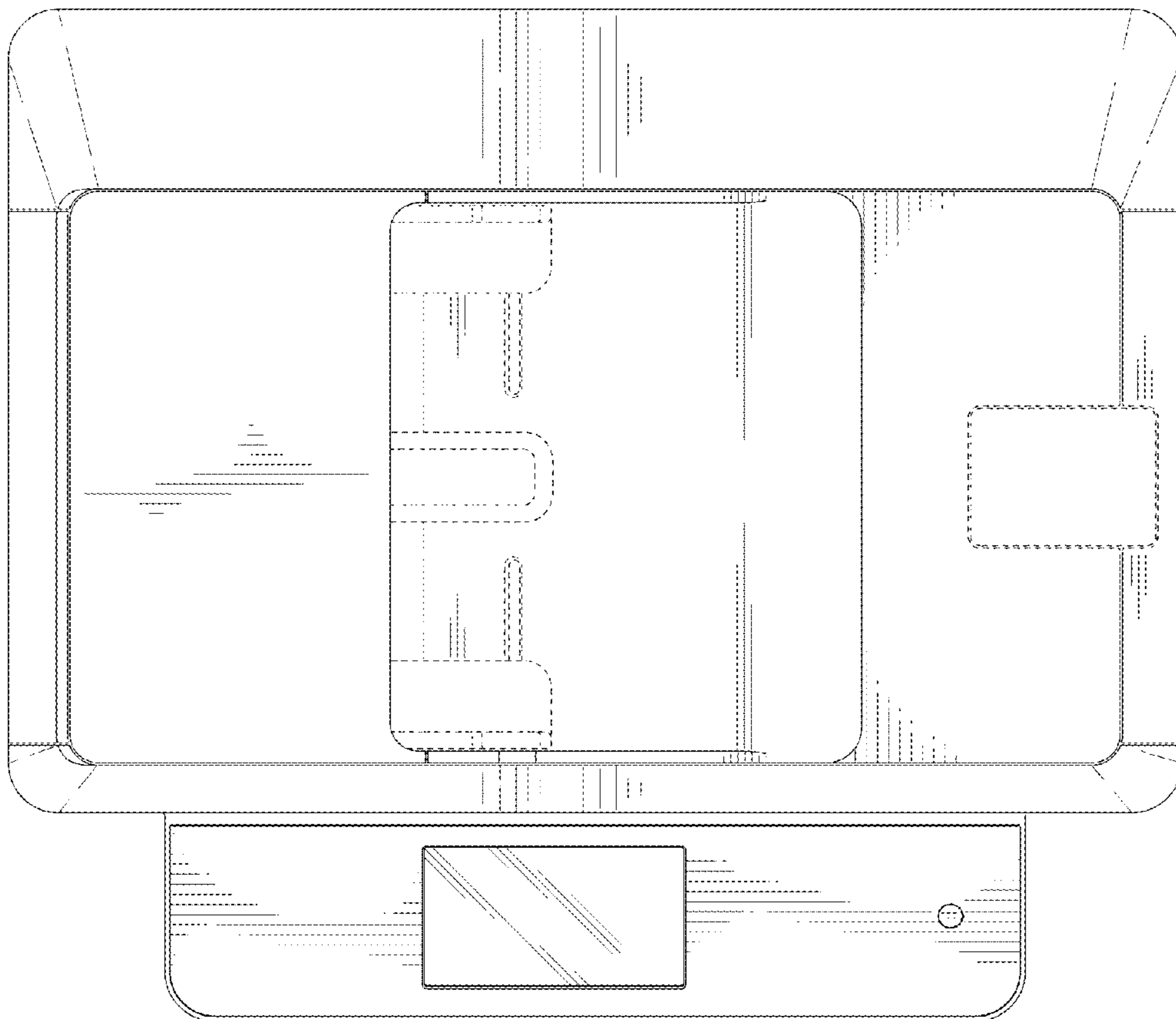


FIG. 10

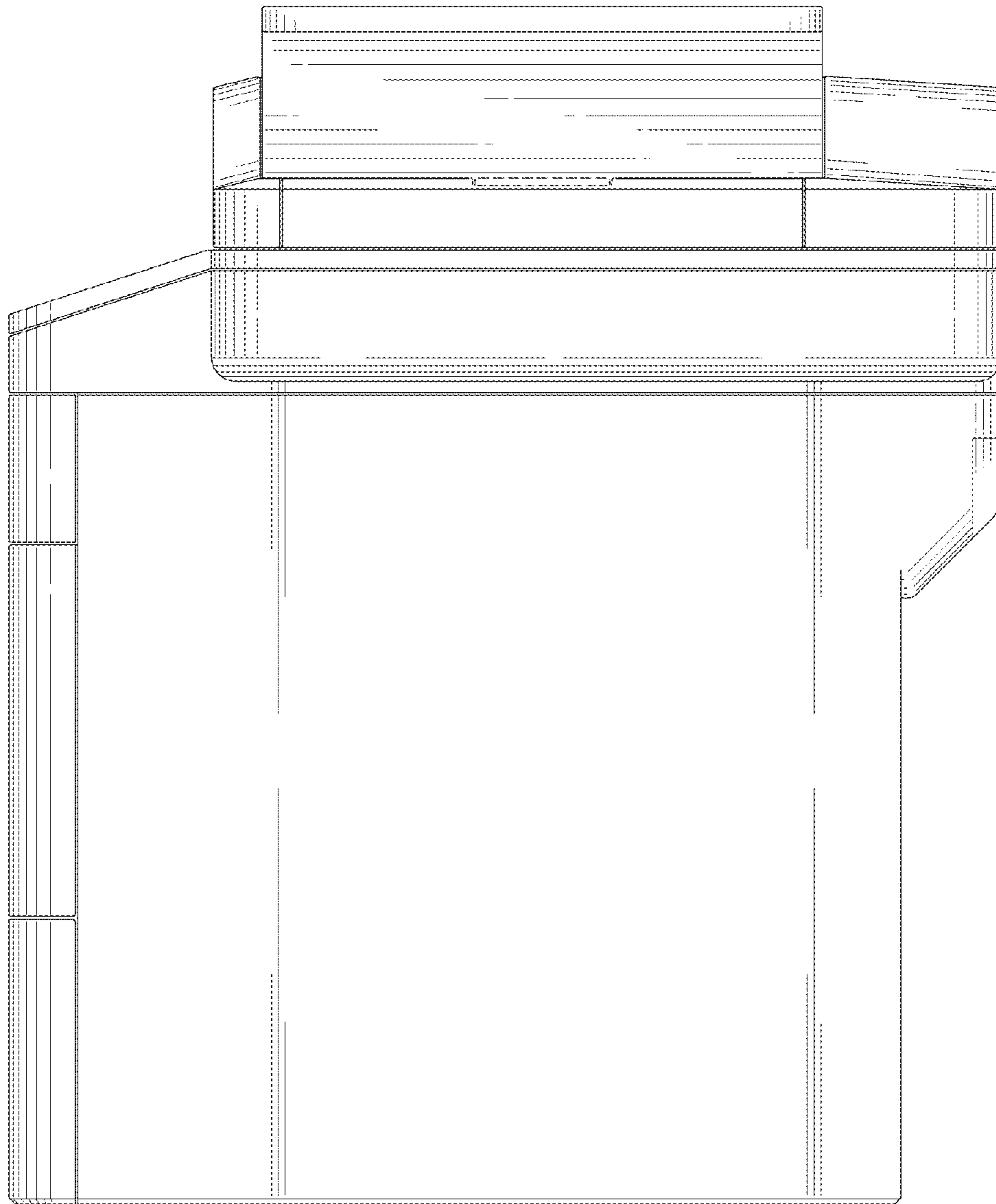


FIG. 11

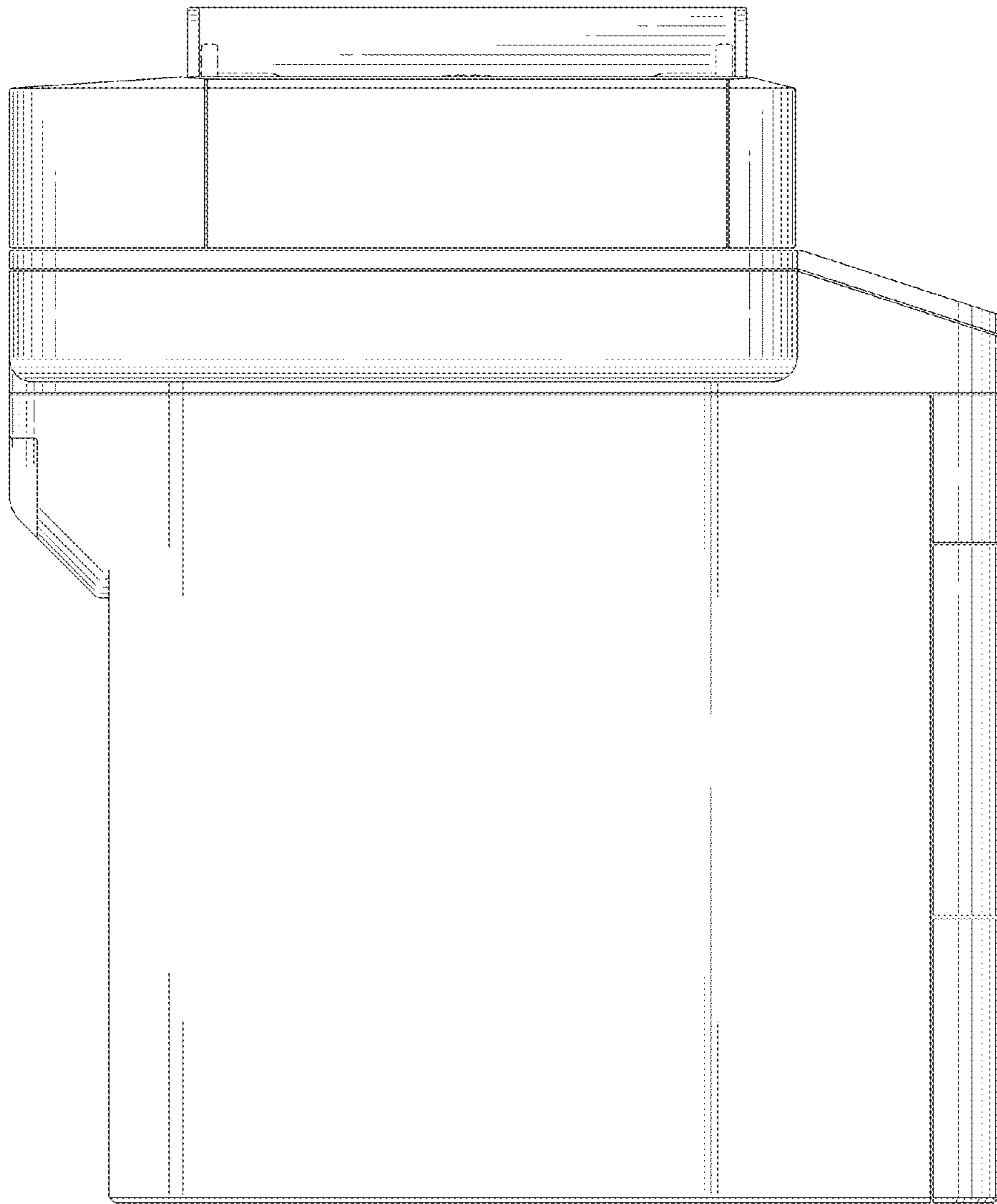


FIG. 12

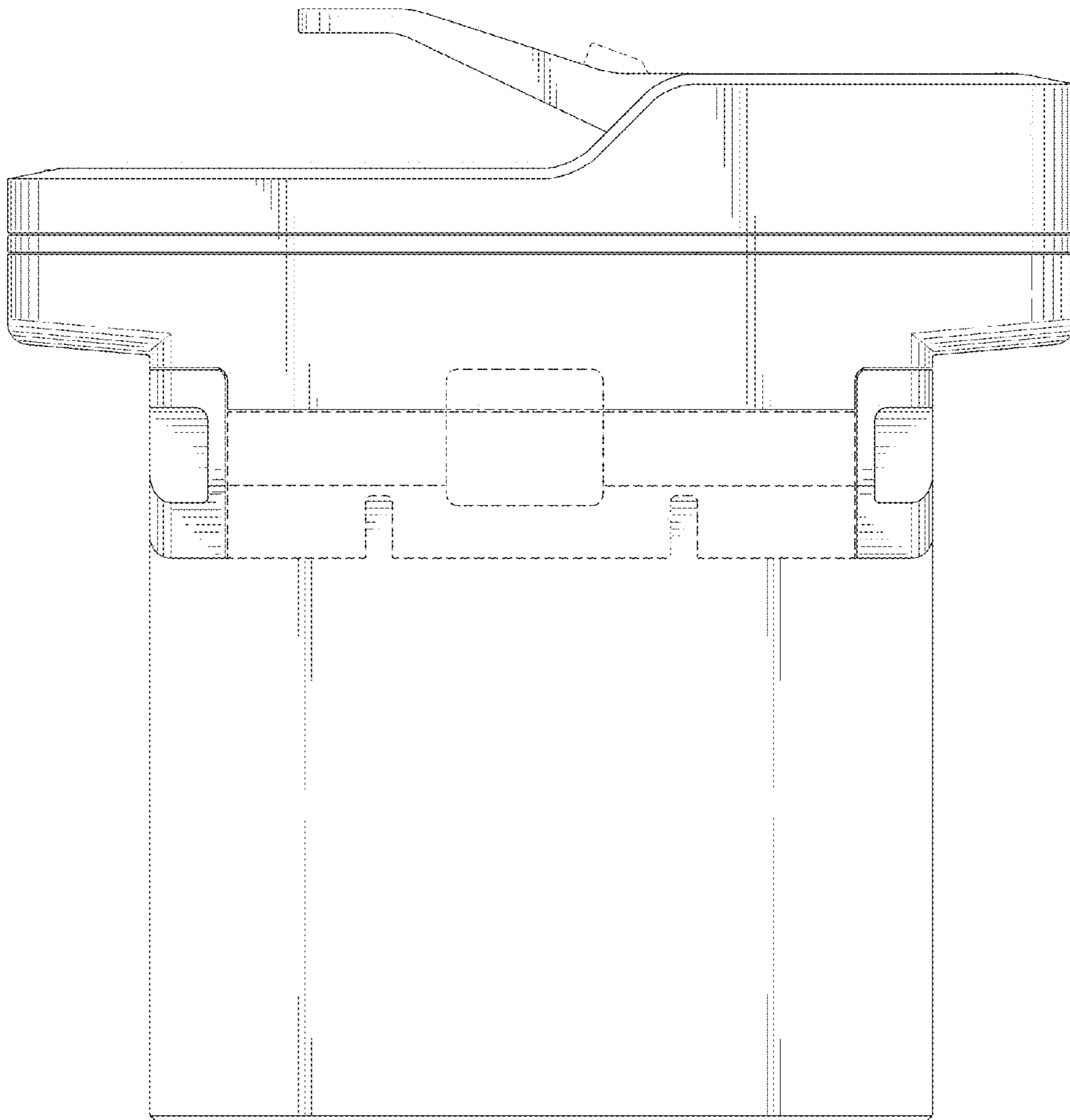


FIG. 13

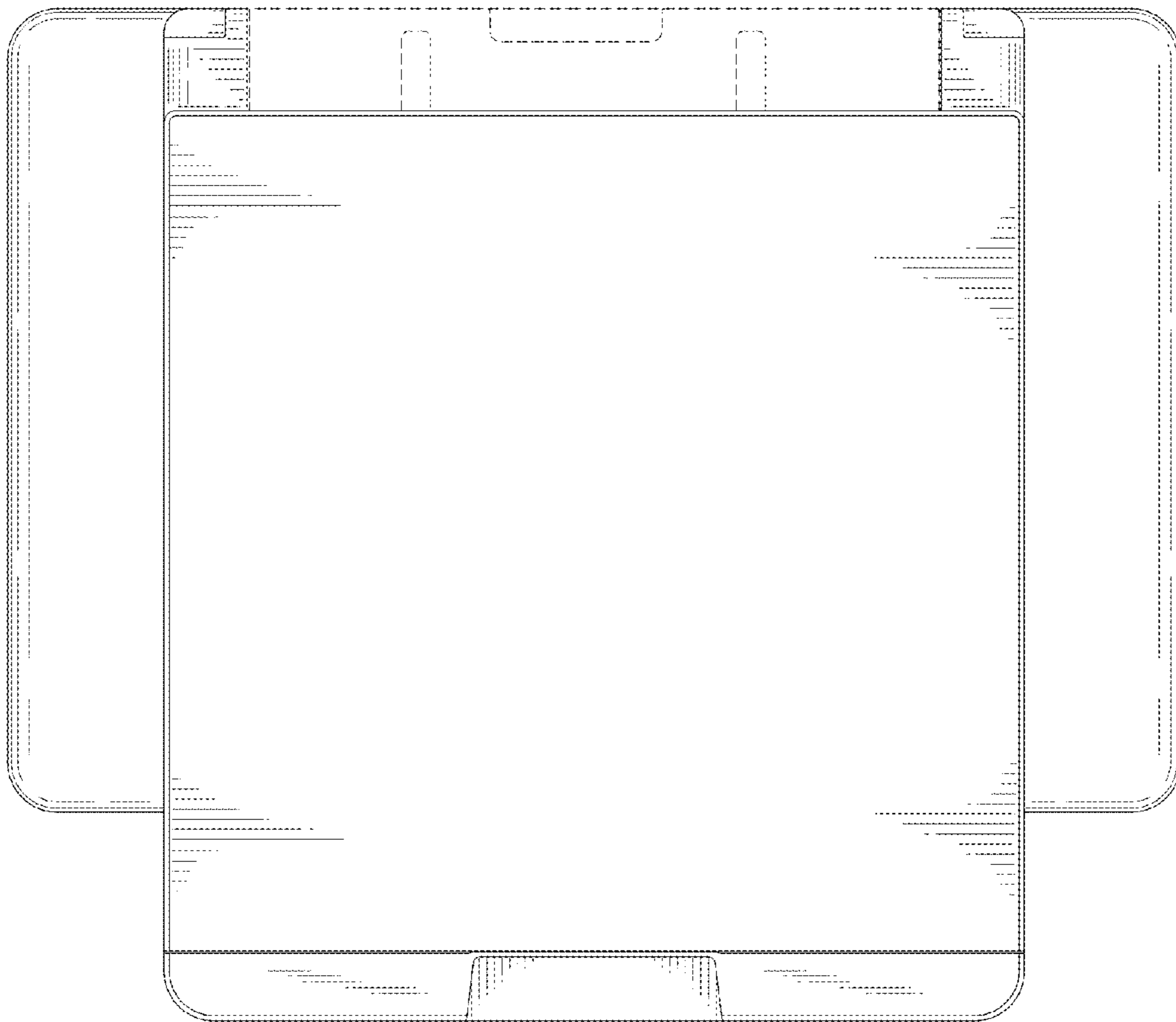


FIG. 14