



US00D758484S

(12) **United States Design Patent**
Kim

(10) **Patent No.:** **US D758,484 S**
(45) **Date of Patent:** **** Jun. 7, 2016**

- (54) **PRINTER**
- (71) Applicant: **Samsung Electronics Co., Ltd.**,
Suwon-si (KR)
- (72) Inventor: **Minchul Kim**, Buchunsi (KR)
- (73) Assignee: **Samsung Electronics Co., Ltd.**,
Suwon-si (KR)
- (**) Term: **14 Years**
- (21) Appl. No.: **29/485,004**
- (22) Filed: **Mar. 14, 2014**
- (30) **Foreign Application Priority Data**

Sep. 26, 2013 (KR) 30-2013-0049106

- (51) **LOC (10) Cl.** **18-02**
- (52) **U.S. Cl.**
USPC **D18/53**
- (58) **Field of Classification Search**
USPC D18/53, 56, 59, 36, 38, 39, 40, 41, 45,
D18/50, 54; D14/301, 307; 399/16, 75, 81,
399/131, 151, 361, 365, 367, 381-385,
399/388; D16/244, 245
CPC ... G06K 15/12; G06K 15/14; H04N 1/00204;
H04N 1/00249; H04N 1/00278; B41J 3/00;
B41J 3/28; B41J 3/445; B41J 3/46
See application file for complete search history.

(56) **References Cited**
U.S. PATENT DOCUMENTS

- 2,291,747 A * 8/1942 Neuwirth F16B 7/1463
248/188.5
- 3,215,055 A * 11/1965 Campbell G03B 27/12
226/110
- D229,634 S * 12/1973 Bermender, Jr. D18/53
- D263,314 S * 3/1982 Caldwell D18/53
- D300,150 S * 3/1989 Ishii D18/36
- D310,426 S * 9/1990 Rook D26/138
- D363,734 S * 10/1995 Bianco D18/50

- 5,526,104 A * 6/1996 Kawano G03G 15/6514
271/3.01
- 5,610,688 A * 3/1997 Inamoto H04N 1/0084
399/15
- D397,234 S * 8/1998 Huang D26/63
- D533,578 S * 12/2006 Oka D16/244

(Continued)

FOREIGN PATENT DOCUMENTS

CN 3437650 * 4/2005

OTHER PUBLICATIONS

Meeker's Mechanical Nature Antiques. <URL: <http://www.patented-antiques.com/Backpages/survey/Chains-Bobs.html>>. May 27, 2013. Tripod.*

(Continued)

Primary Examiner — Bridget L Eland
Assistant Examiner — Lauren McVey
(74) *Attorney, Agent, or Firm* — NSIP Law

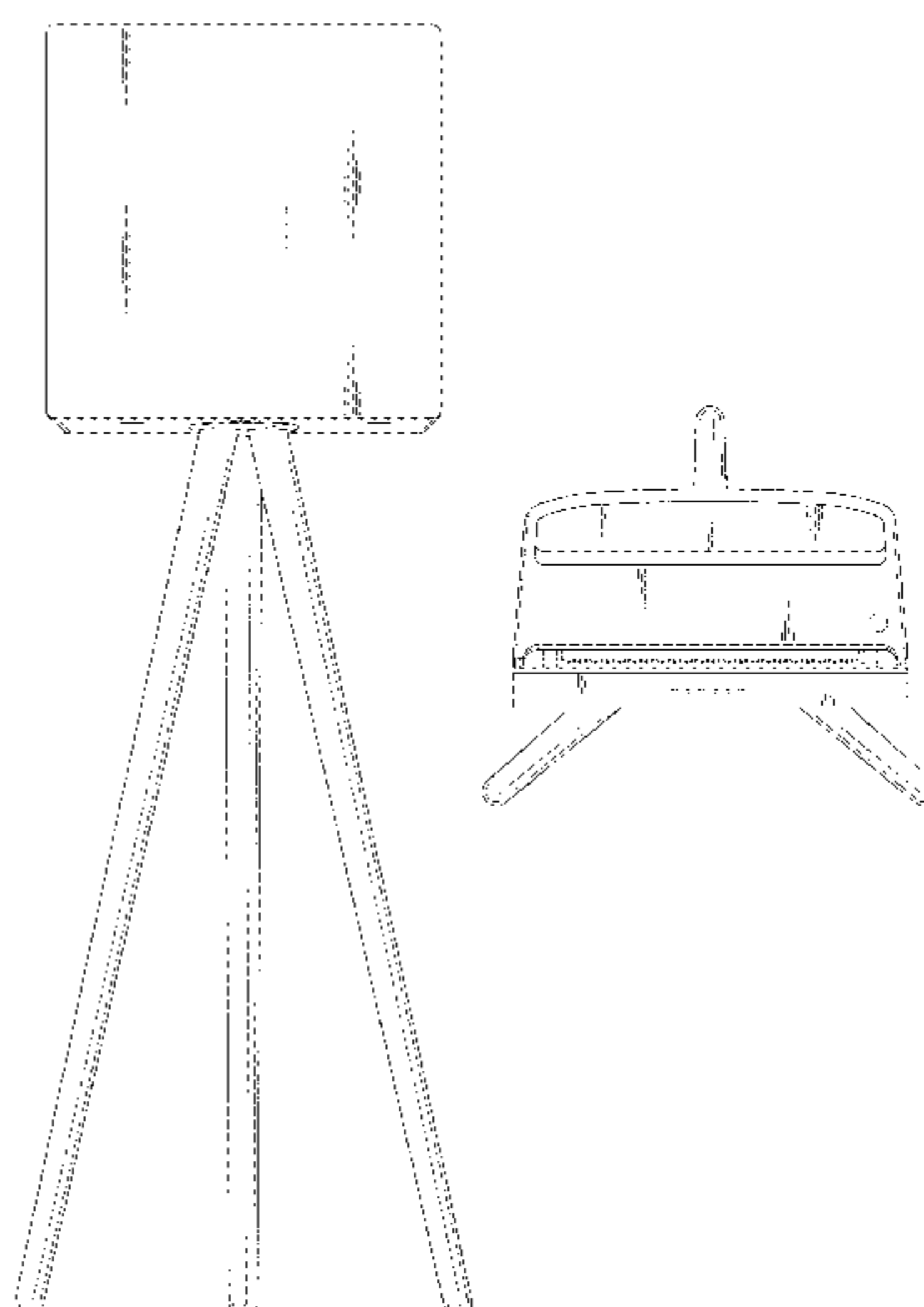
(57) **CLAIM**

I claim the ornamental design for a printer, as shown and described.

DESCRIPTION

FIG. 1 is a front perspective view of a printer showing my new design;
FIG. 2 is a front view thereof;
FIG. 3 is a rear view thereof;
FIG. 4 is a left-side view thereof;
FIG. 5 is a right-side view thereof;
FIG. 6 is a top view thereof; and,
FIG. 7 is a bottom view thereof.
The broken lines immediately adjacent to the shaded areas, encompassing unshaded regions, represent unclaimed boundaries of the claimed design, while all other lines are directed to environment and are for illustrative purposes only; the broken lines form no part of the claimed design.

1 Claim, 7 Drawing Sheets



(56)

References Cited

U.S. PATENT DOCUMENTS

2004/0183913 A1* 9/2004 Russell B41J 3/36
348/207.2
2014/0002965 A1* 1/2014 Murray H04N 1/00551
361/679.01

OTHER PUBLICATIONS

Etsy. <URL: <https://www.etsy.com/listing/153972365/vintage-tri-pod-desk-clock-brownie-flash>>. Visited Aug. 13, 2015. Vintage Tripod Desk Clock.*

* cited by examiner

FIG. 1

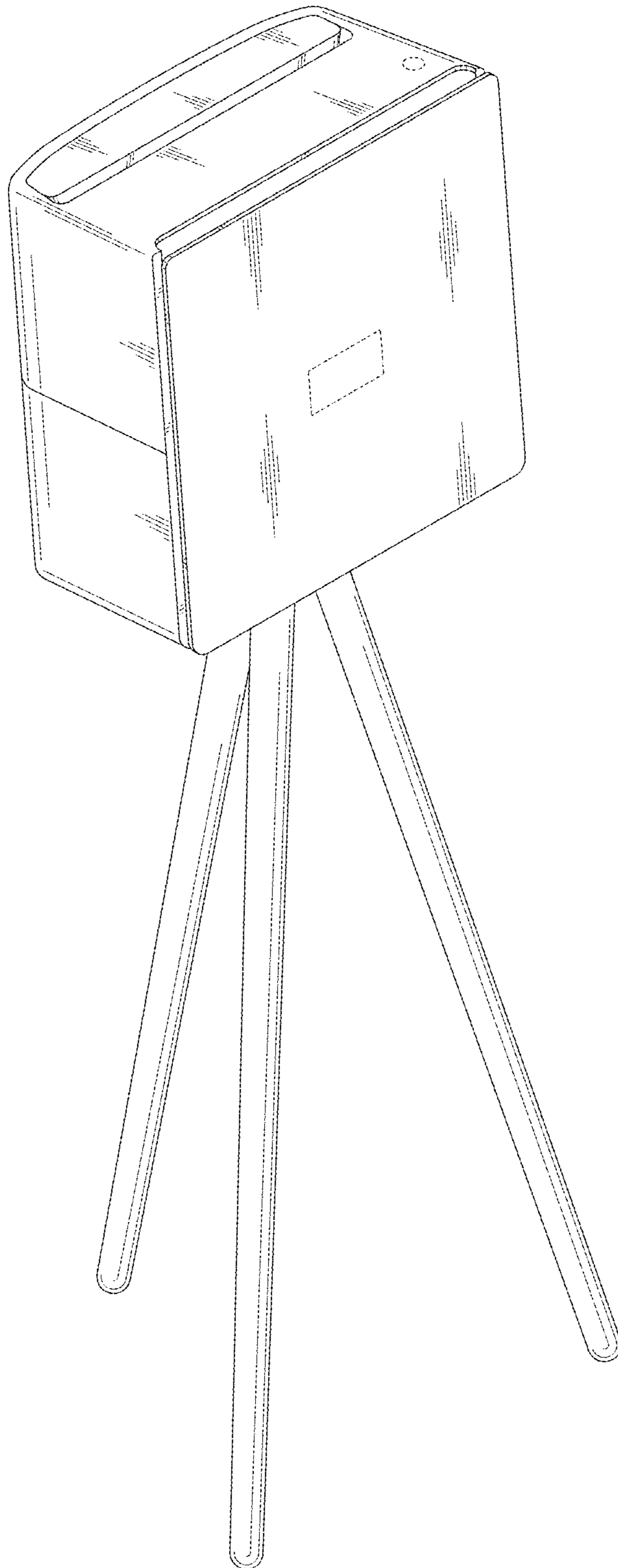


FIG. 2

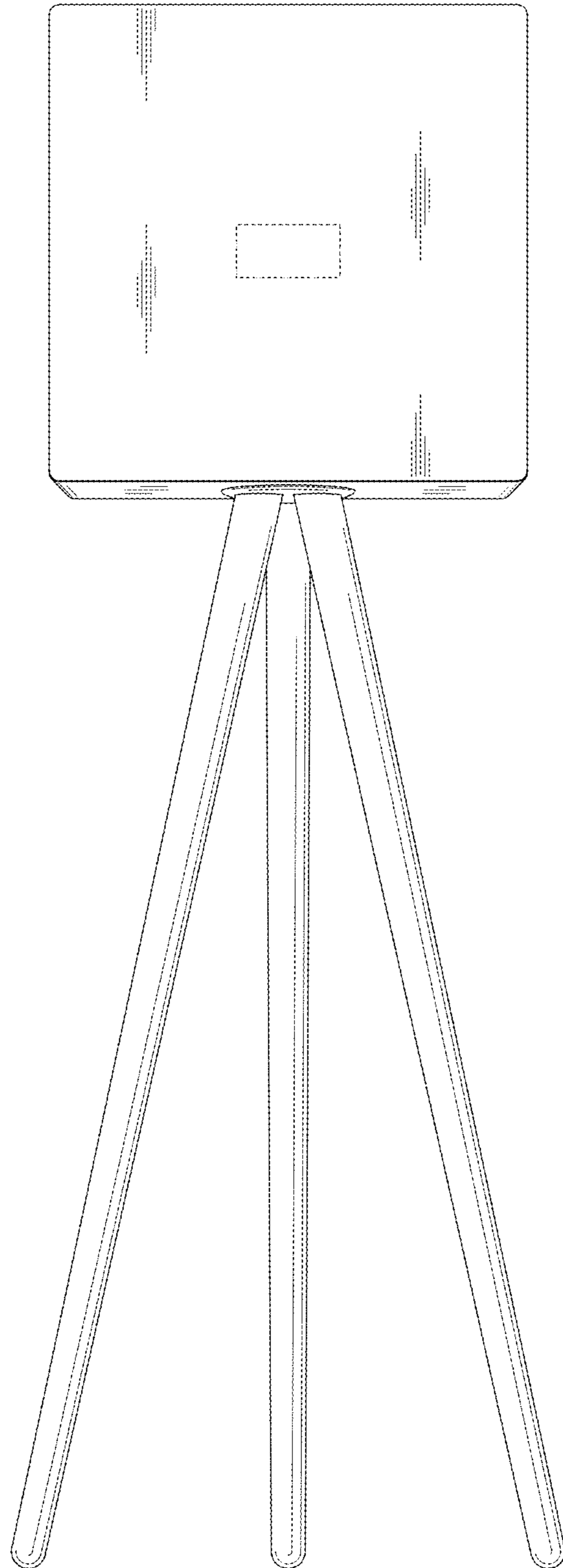


FIG. 3

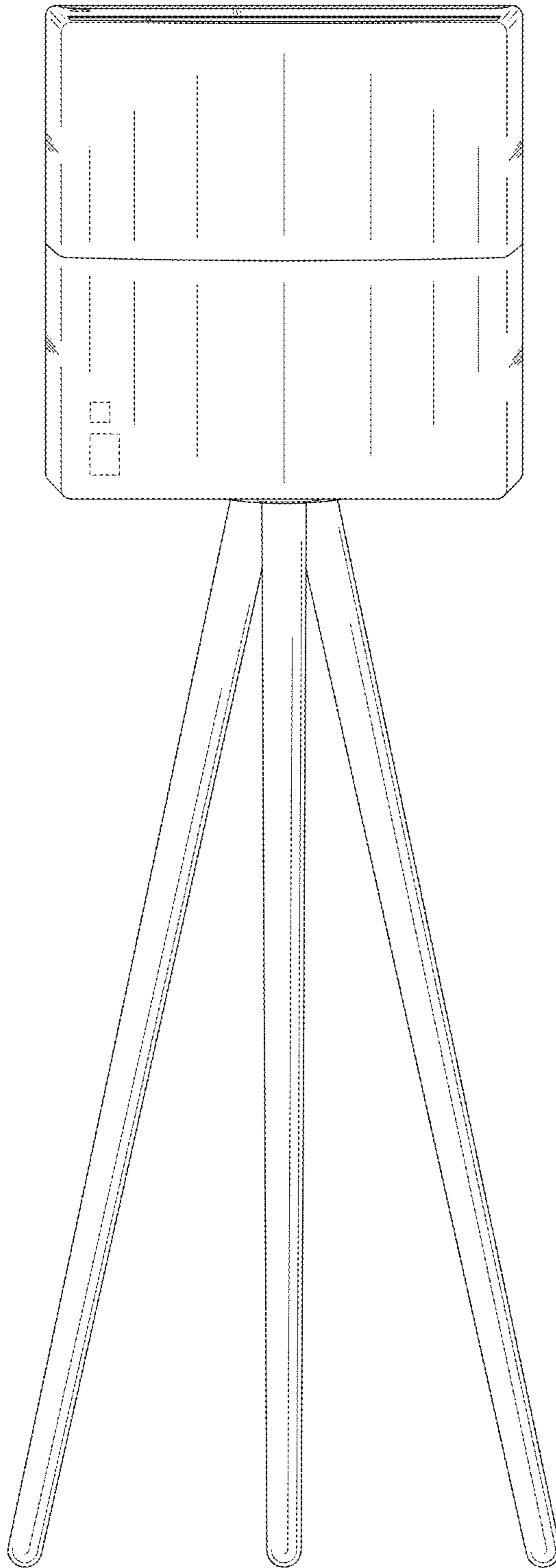


FIG. 4

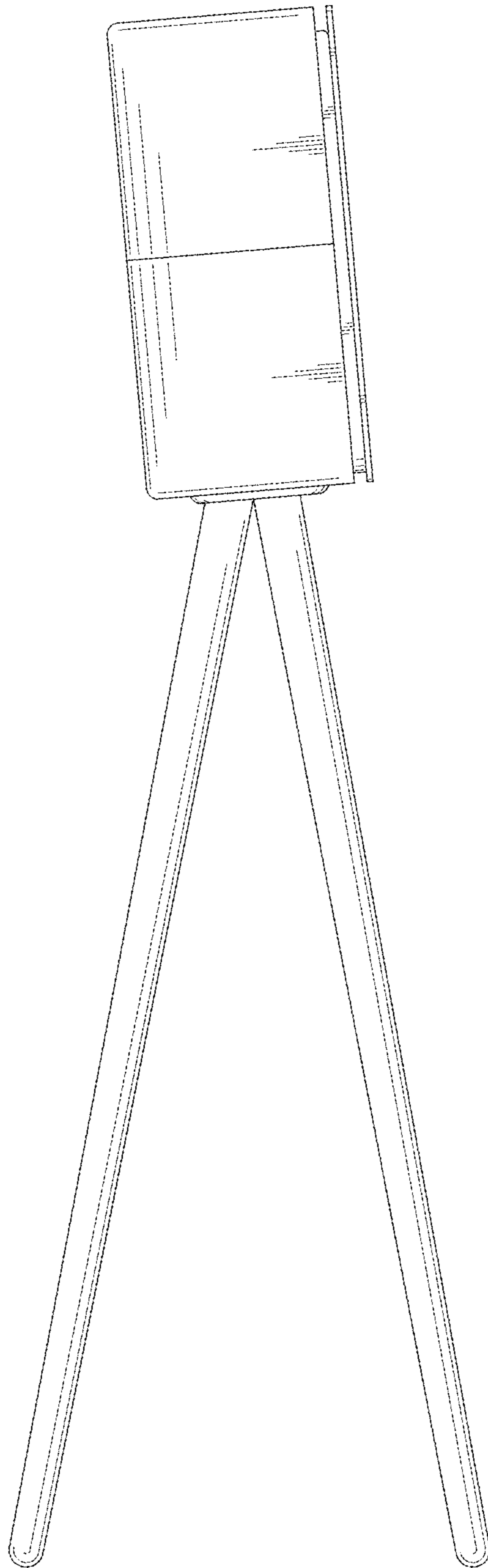


FIG. 5

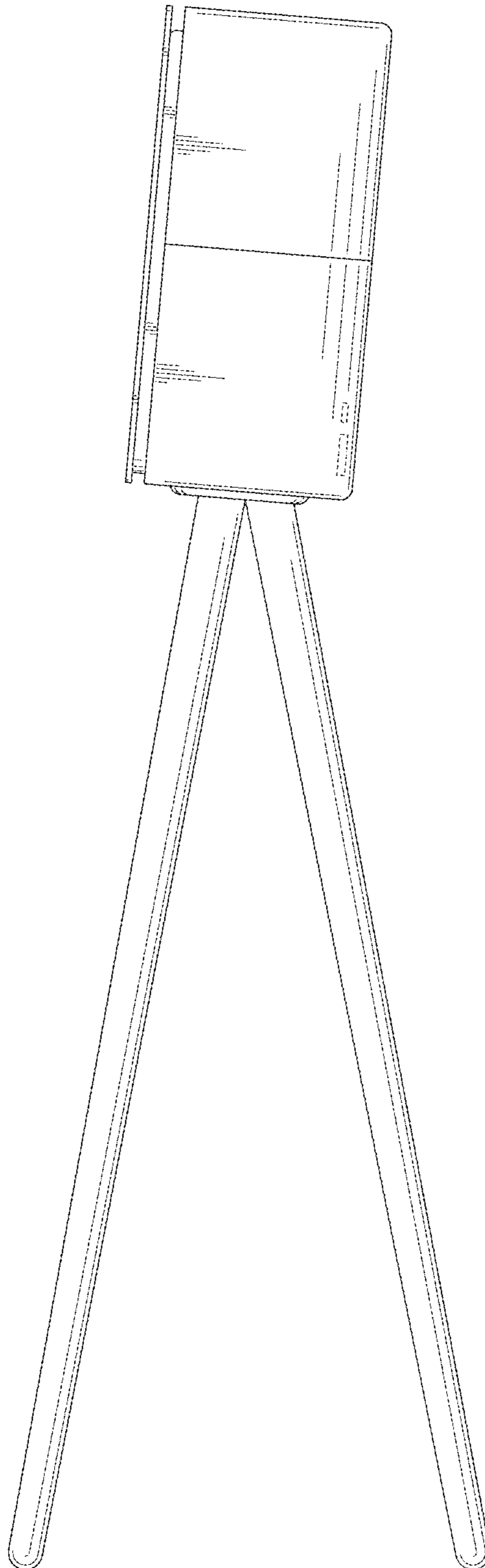


FIG. 6

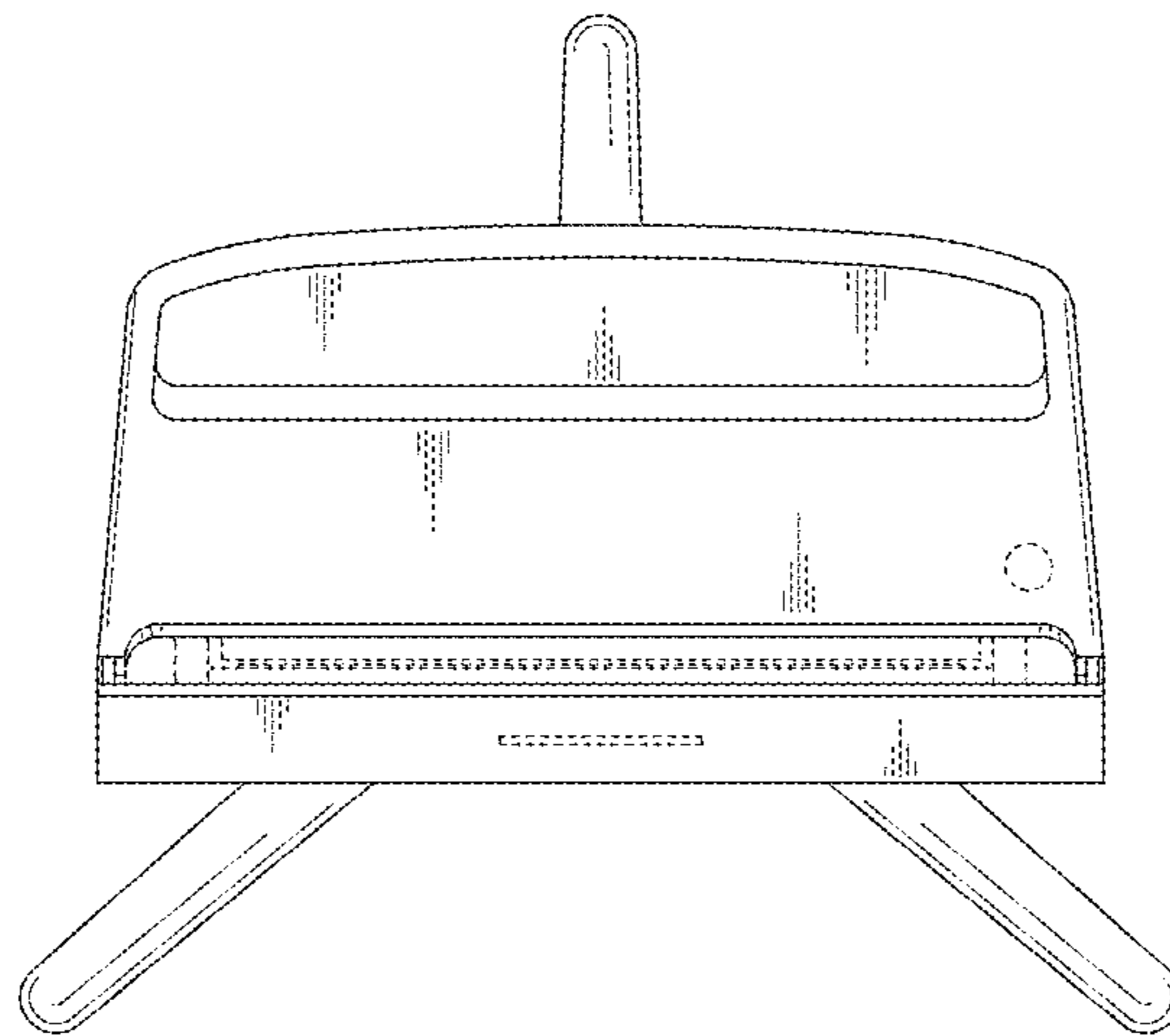


FIG. 7

