



US00D758483S

(12) **United States Design Patent**  
**Seki et al.**

(10) **Patent No.:** **US D758,483 S**  
(45) **Date of Patent:** **\*\* Jun. 7, 2016**

- (54) **PRINTER**
- (71) Applicants: **Yusaku Seki**, Nagoya (JP); **Yukihiko Sato**, Nagoya (JP)
- (72) Inventors: **Yusaku Seki**, Nagoya (JP); **Yukihiko Sato**, Nagoya (JP)
- (73) Assignee: **BROTHER INDUSTRIES, LTD.**, Nagoya (JP)

- D648,377 S 11/2011 Miyauchi et al.
- D648,379 S 11/2011 Ishikawa et al.
- D667,050 S 9/2012 Takeuchi
- D667,051 S 9/2012 Sato
- D669,082 S 10/2012 Sato
- D675,673 S 2/2013 Sato
- D675,674 S 2/2013 Sato
- D675,675 S \* 2/2013 Sato et al. .... D18/50
- D678,402 S 3/2013 Sato
- D681,720 S 5/2013 Inada
- D722,109 S \* 2/2015 Nanno et al. .... D18/50

- (\*\*) Term: **14 Years**
- (21) Appl. No.: **29/484,007**
- (22) Filed: **Mar. 5, 2014**

- (30) **Foreign Application Priority Data**  
Sep. 5, 2013 (JP) ..... 2013-20509
- (51) **LOC (10) Cl.** ..... **14-02**
- (52) **U.S. Cl.**  
USPC ..... **D18/50**
- (58) **Field of Classification Search**  
USPC ..... D18/50, 54, 54.1, 55; D14/420-426,  
D14/462-470; 400/613, 613.1-613.4,  
400/690.1-690.4, 691-694  
See application file for complete search history.

- (56) **References Cited**  
U.S. PATENT DOCUMENTS  
D558,823 S \* 1/2008 Alfonso et al. .... D18/55  
D607,925 S 1/2010 Morrison et al.  
D613,791 S \* 4/2010 Yoshioka et al. .... D18/55  
D614,234 S 4/2010 Ishikawa et al.  
D643,462 S 8/2011 Yamashita et al.  
D645,896 S 9/2011 Iwai et al.

**OTHER PUBLICATIONS**

Oct. 14, 2014 Office Action issued in Design U.S. Appl. No. 29/467,373.  
Design U.S. Appl. No. 29/467,373, filed Sep. 18, 2013 in the name of Seki et al.

\* cited by examiner

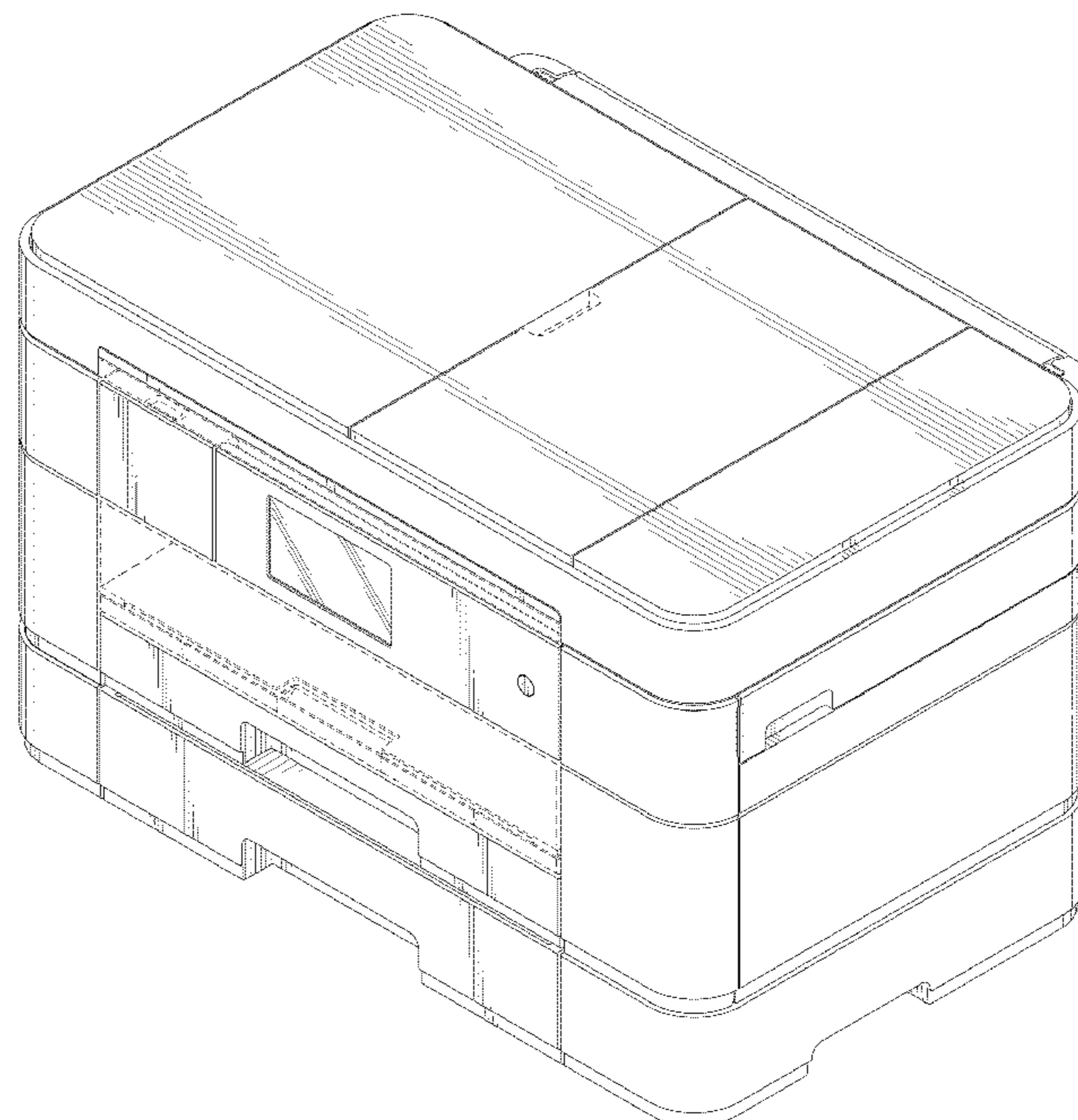
*Primary Examiner* — Cathy Anne MacCormac  
(74) *Attorney, Agent, or Firm* — Oliff PLC

(57) **CLAIM**  
The ornamental design for a printer, as shown and described.

**DESCRIPTION**

FIG. 1 is a perspective view of a printer;  
FIG. 2 is a front view thereof;  
FIG. 3 is a top view thereof;  
FIG. 4 is a right-side view thereof;  
FIG. 5 is a left-side view thereof;  
FIG. 6 is a rear view thereof; and,  
FIG. 7 is a bottom view thereof.  
The broken lines depict environmental subject matter only and form no part of the claimed design.

**1 Claim, 7 Drawing Sheets**



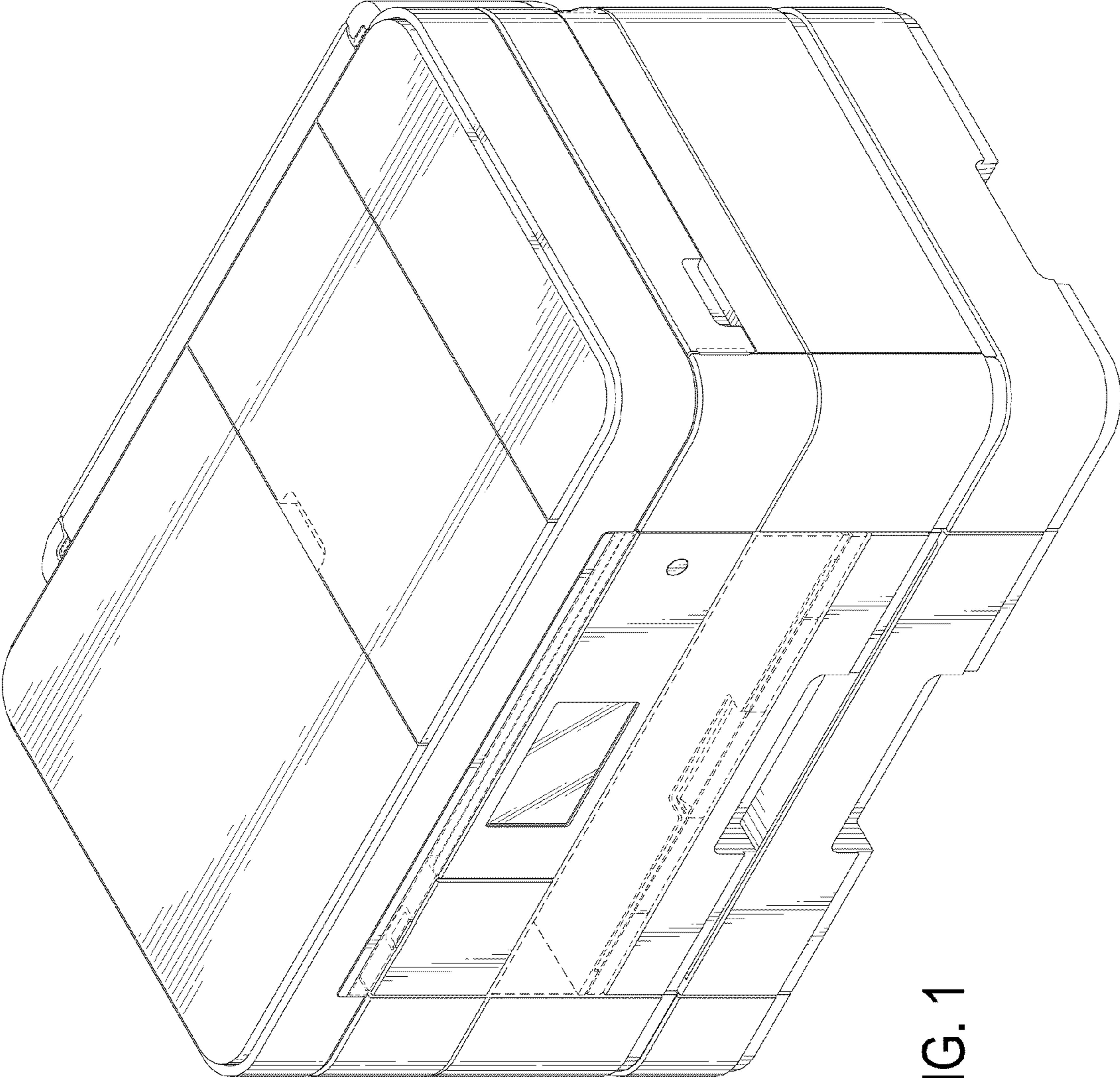


FIG. 1

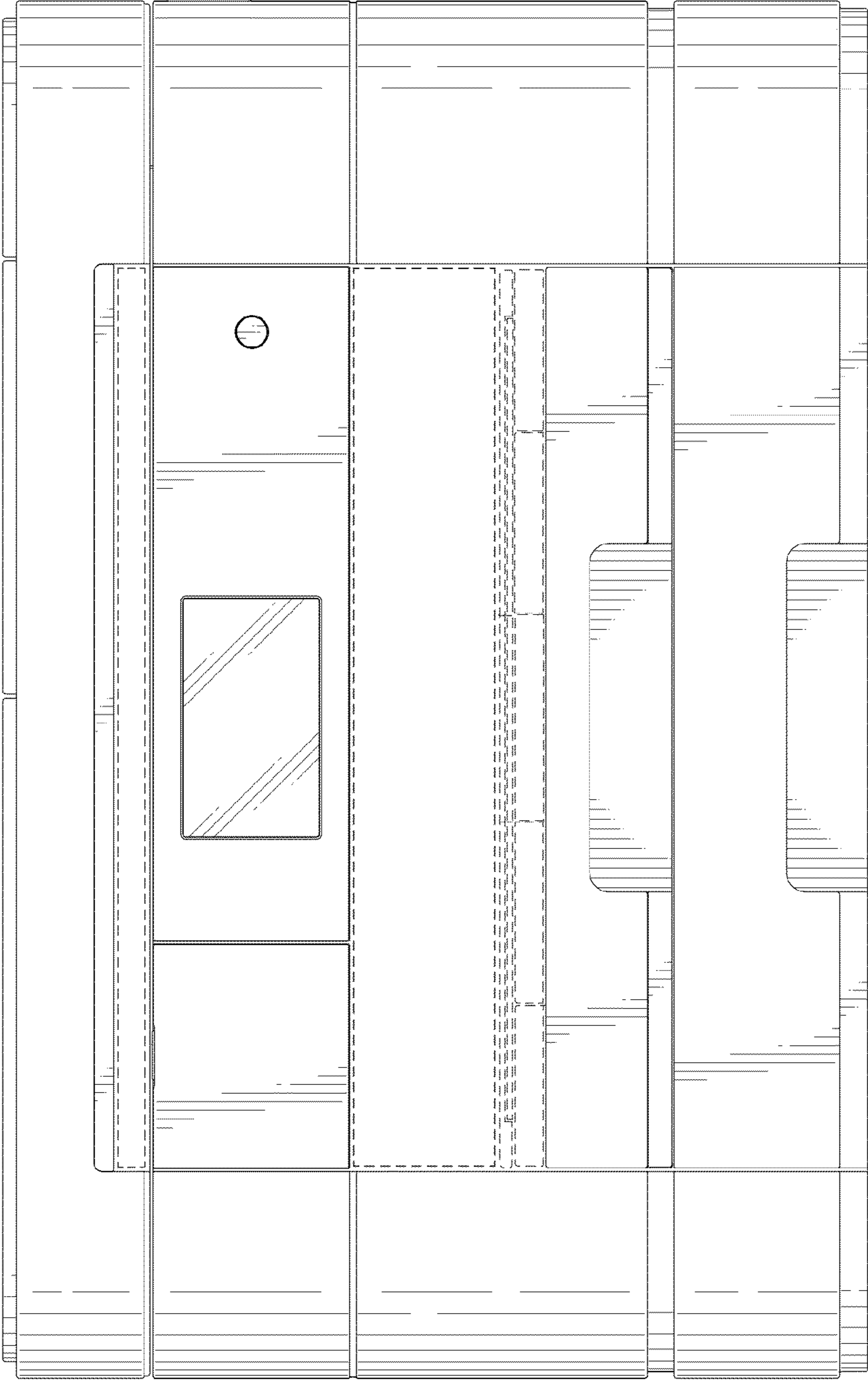


FIG. 2

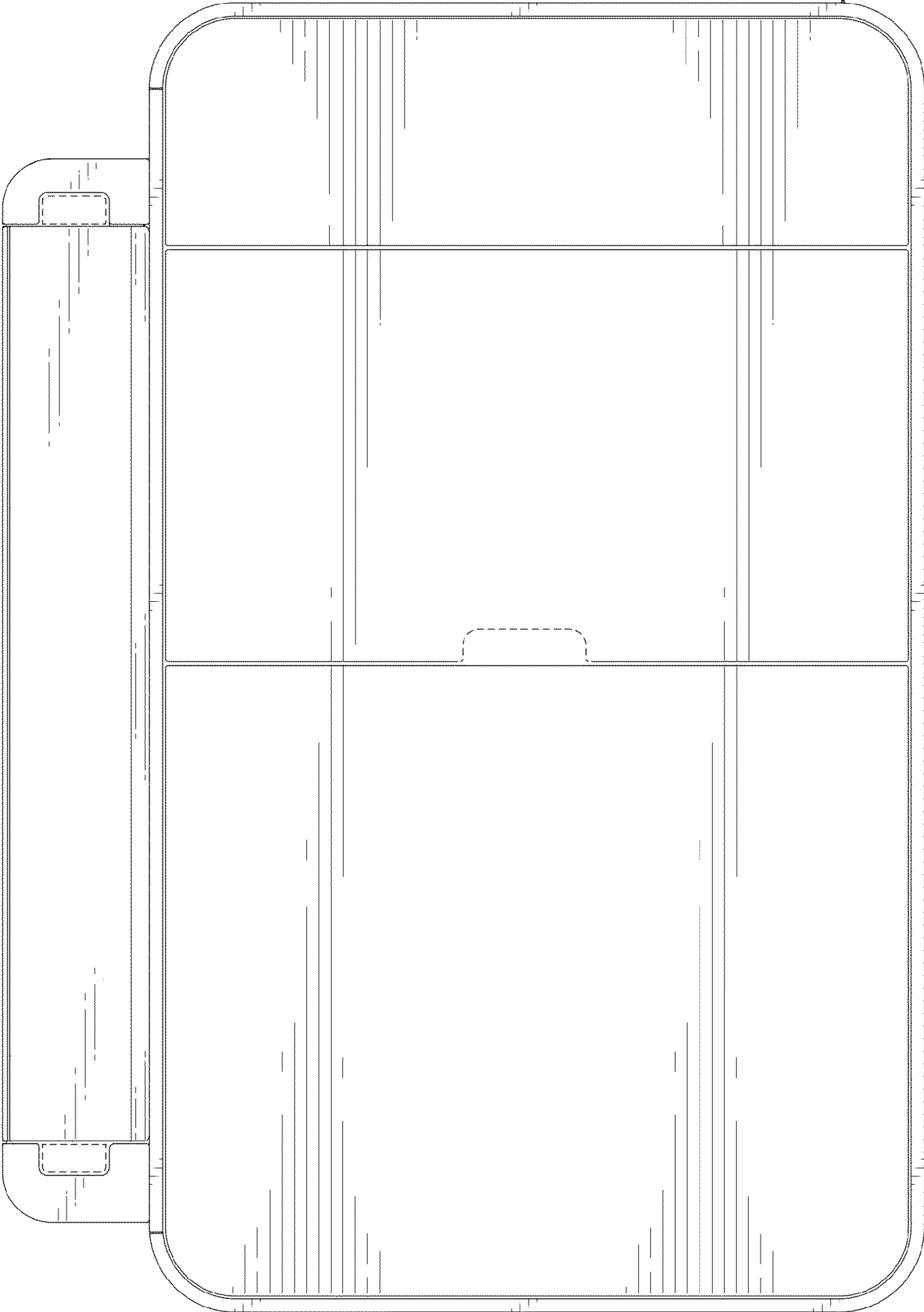


FIG. 3

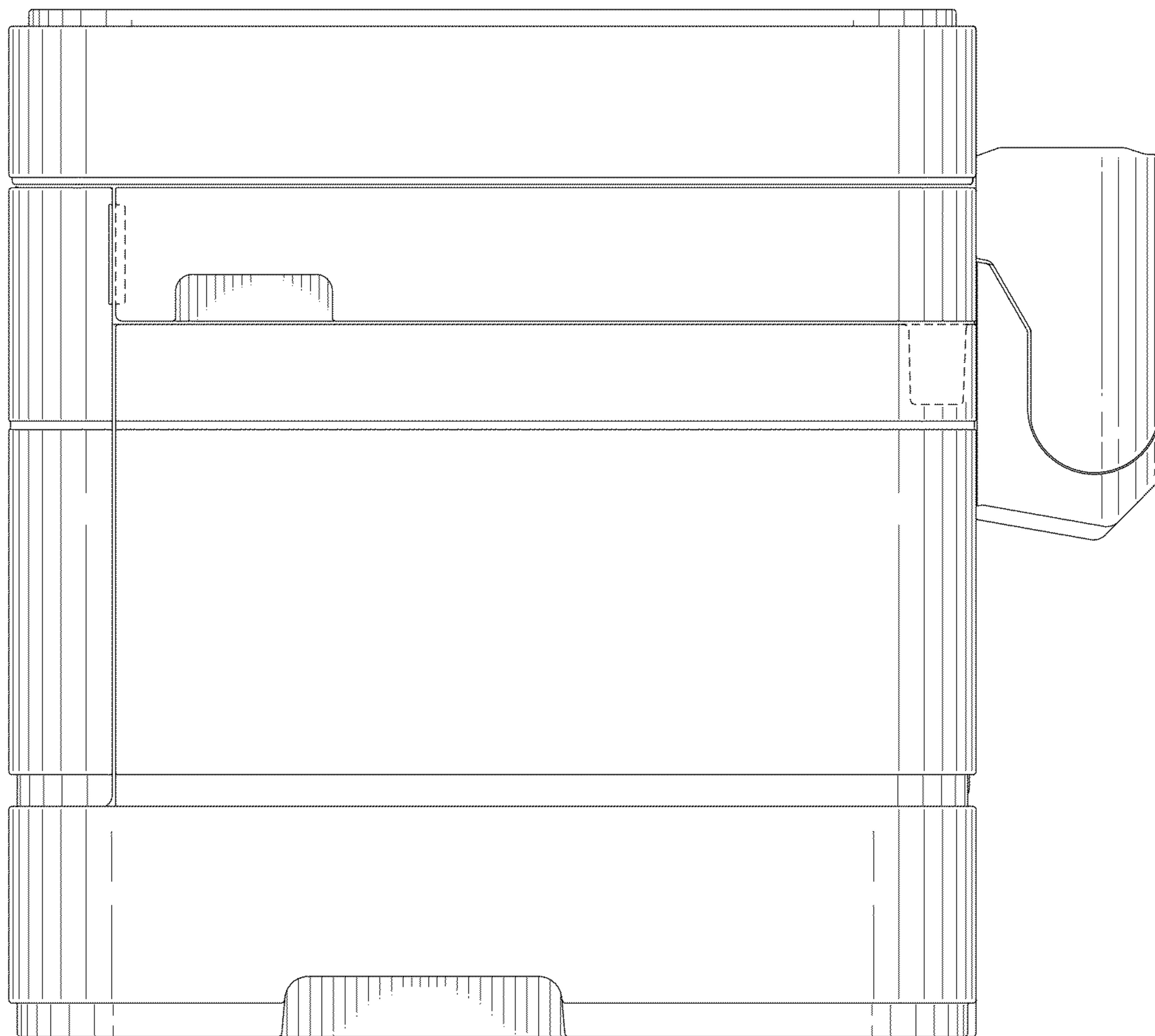


FIG. 4

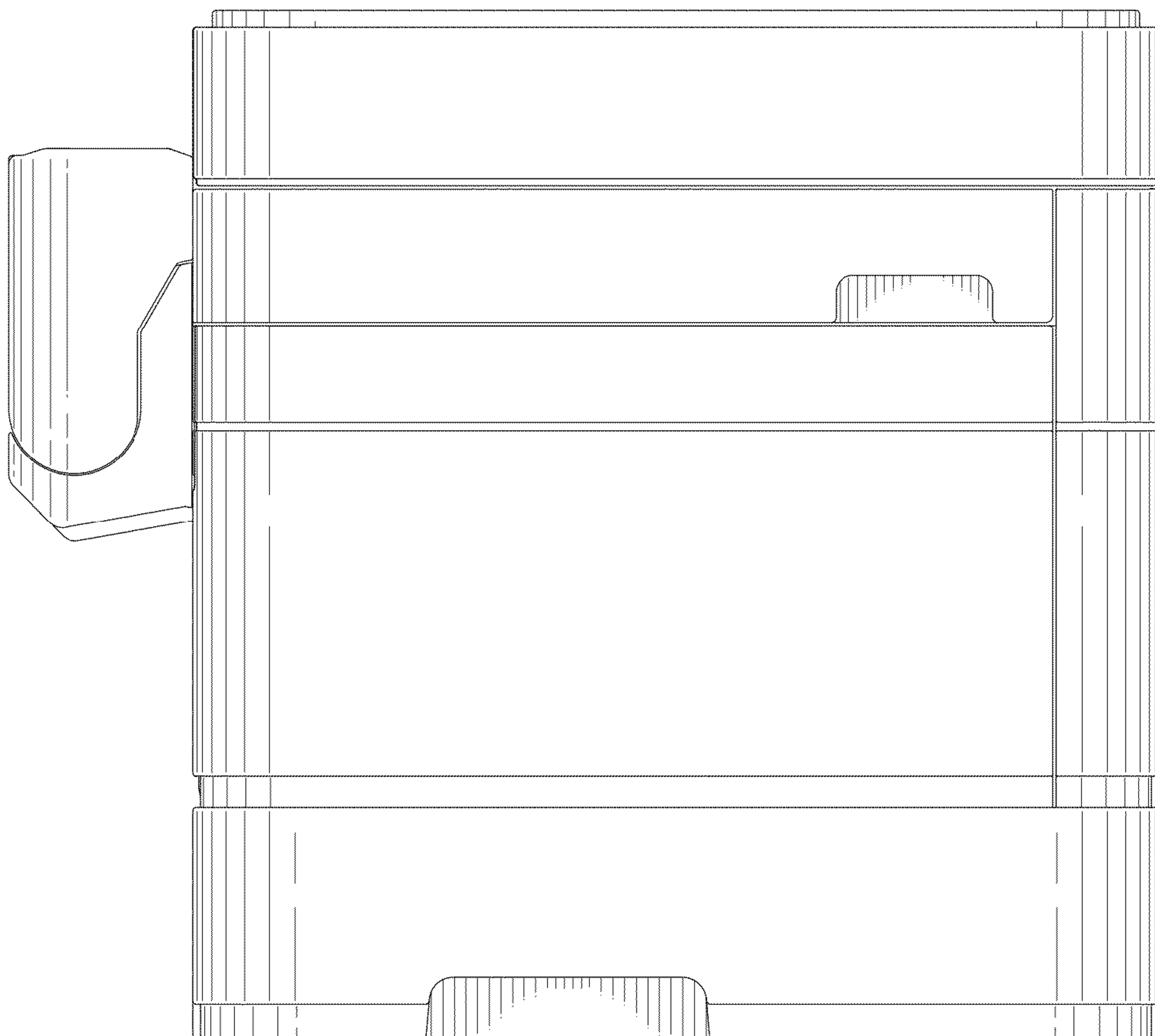


FIG. 5

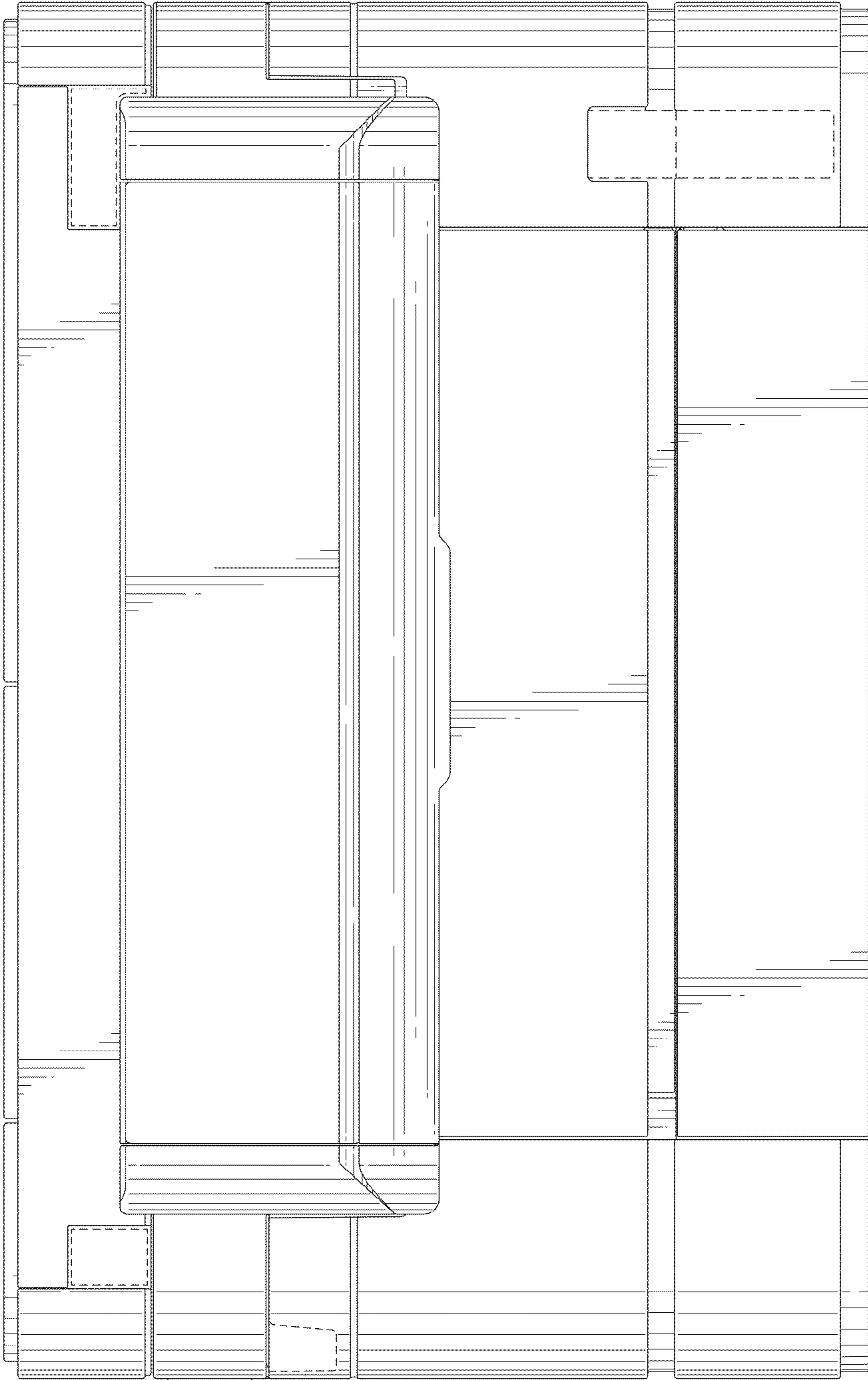


FIG. 6

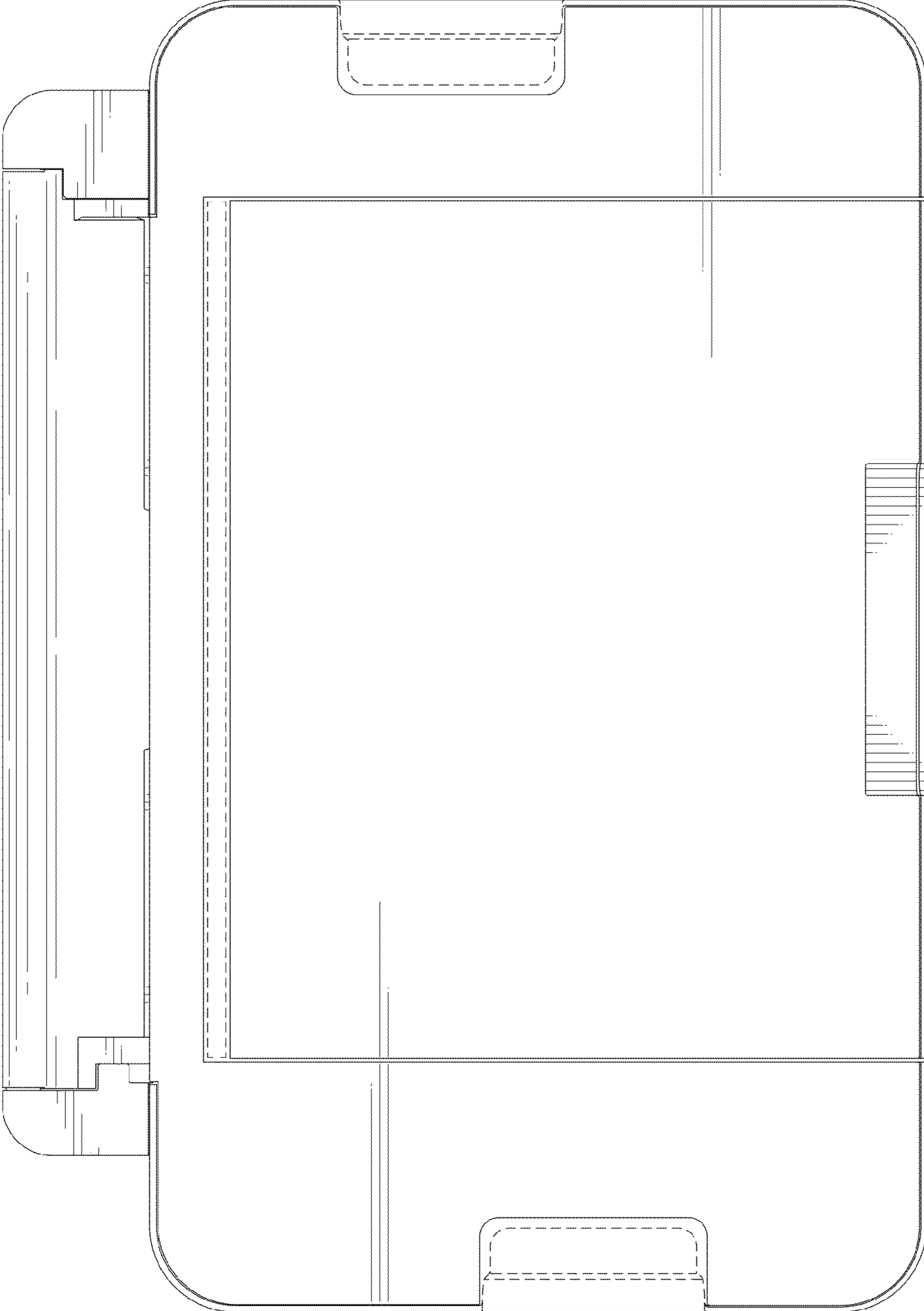


FIG. 7