



US00D758482S

(12) **United States Design Patent**
Takahashi et al.

(10) **Patent No.:** **US D758,482 S**
(45) **Date of Patent:** **** Jun. 7, 2016**

(54) **TONER BOTTLE**

FOREIGN PATENT DOCUMENTS

(71) Applicants: **Yasufumi Takahashi**, Tokyo (JP);
Kunihiro Ohyama, Tokyo (JP)

EP 0 997 297 5/2000
EP 1 232 871 A1 8/2002

(72) Inventors: **Yasufumi Takahashi**, Tokyo (JP);
Kunihiro Ohyama, Tokyo (JP)

(Continued)

(73) Assignee: **RICOH COMPANY, LTD.**, Tokyo (JP)

Office Action issued Feb. 17, 2015 in Canadian Patent Application No. 2,782,610.

(**) Term: **14 Years**

(Continued)

(21) Appl. No.: **29/506,430**

(22) Filed: **Oct. 15, 2014**

Primary Examiner — Daniel Bui
Assistant Examiner — Khawaja Anwar

Related U.S. Application Data

(74) *Attorney, Agent, or Firm* — Oblon, McClelland, Maier & Neustadt, L.L.P.

(60) Continuation of application No. 13/856,918, filed on Apr. 4, 2013, now Pat. No. 8,909,071, which is a

(Continued)

(30) **Foreign Application Priority Data**

(57) **CLAIM**
The ornamental design for a toner bottle, as shown and described.

Jun. 11, 2010 (JP) 2010-134560
Mar. 22, 2011 (JP) 2011-062216
Mar. 22, 2011 (JP) 2011-062283
Apr. 6, 2011 (JP) 2011-084820
Apr. 11, 2011 (JP) 2011-087786

DESCRIPTION

(51) **LOC (10) Cl.** **16-03**

(52) **U.S. Cl.**
USPC **D18/43**

(58) **Field of Classification Search**
USPC D18/18, 40, 43, 56, 99
CPC G03G 15/0832; G03G 15/0834; G03G 15/0836; G03G 15/0837; G03G 15/0867; G03G 15/0868; G03G 15/0872; G03G 15/0877; G03G 15/0898; G03G 15/50; G03G 15/5016; G03G 15/60; G03G 15/65
See application file for complete search history.

FIG. 1 is a front, top and left side perspective view a toner bottle, taken from FIG. 5, on an enlarged scale, showing our new design;
FIG. 2 is a rear, top and left side perspective view thereof taken from FIG. 6;
FIG. 3 is a front, bottom, and left side perspective view thereof taken from FIG. 7;
FIG. 4 is a bottom plan view thereof taken from FIG. 8;
FIG. 5 is a front, top and left side perspective view thereof, on a reduced scale;
FIG. 6 is a rear, top and left side perspective view thereof;
FIG. 7 is a front, bottom, and left side perspective view thereof; and,
FIG. 8 is a bottom plan view thereof.
The smaller broken lines in the drawings depict portions of the article that form no part of the claimed design. The larger broken lines depict callout rectangles that indicate cutoff boundaries for enlarged detailed portion views.

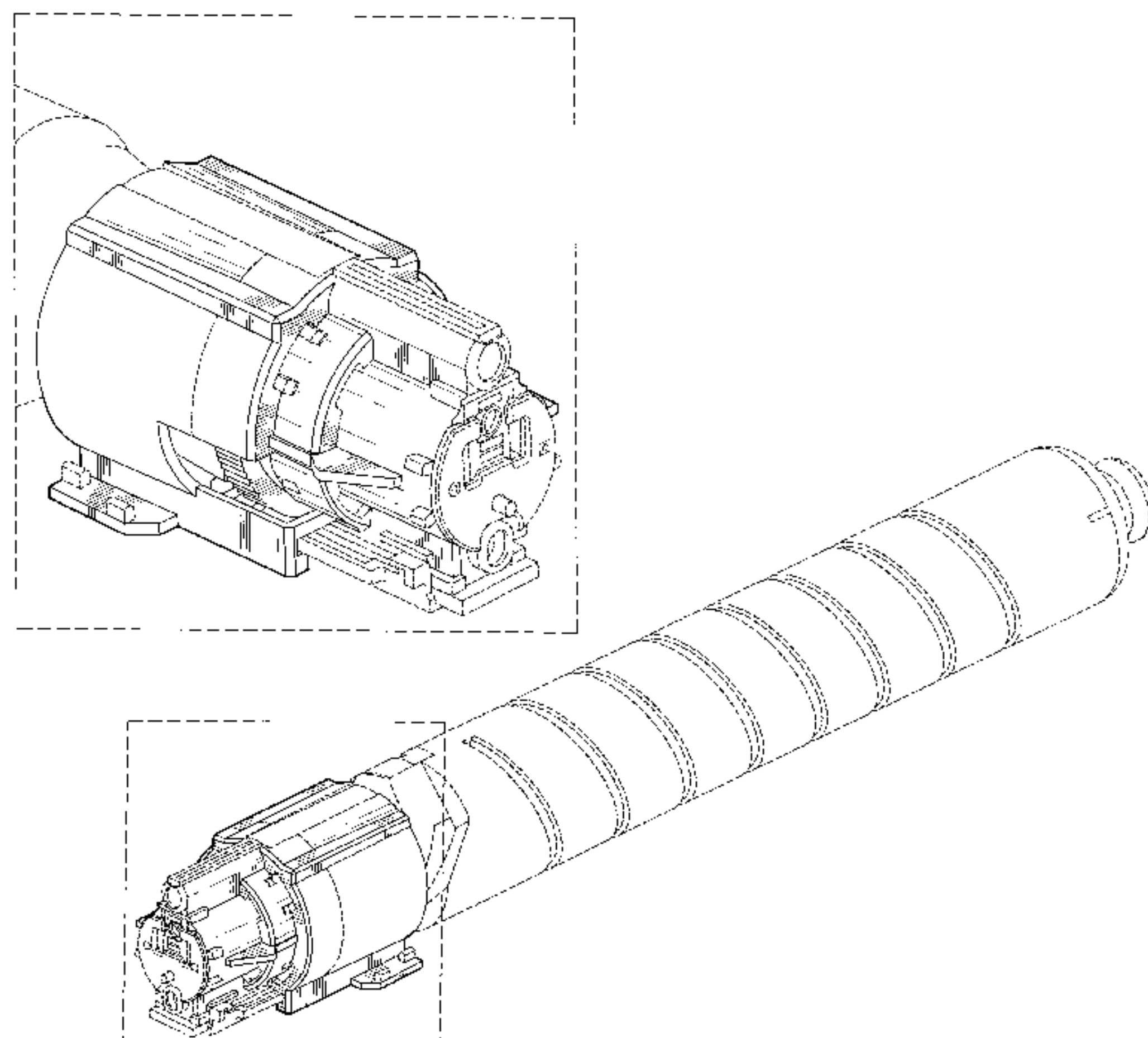
(56) **References Cited**

U.S. PATENT DOCUMENTS

2,508,085 A 5/1950 Alford
2,617,033 A 11/1952 Posthumus

(Continued)

1 Claim, 8 Drawing Sheets



Related U.S. Application Data

division of application No. 13/691,023, filed on Nov. 30, 2012, now Pat. No. 8,660,441, which is a continuation of application No. 13/448,987, filed on Apr. 17, 2012, now Pat. No. 8,346,105, which is a continuation of application No. PCT/JP2011/063993, filed on Jun. 13, 2011.

(56)

References Cited

U.S. PATENT DOCUMENTS

3,732,514 A	5/1973	Sato	D456,603 S	5/2002	Phetthaweebancha
3,785,046 A	1/1974	Jennings	6,386,913 B1	5/2002	Mohammad et al.
3,798,059 A	3/1974	Astle et al.	6,409,453 B1	6/2002	Brodine et al.
3,832,661 A	8/1974	Sato	6,420,953 B1	7/2002	Dadafshar
3,956,751 A	5/1976	Herman	6,429,763 B1	8/2002	Patel et al.
4,063,176 A	12/1977	Milligan et al.	6,445,272 B1	9/2002	Mercado et al.
4,063,246 A	12/1977	Greiser	6,497,477 B1	12/2002	Nakamura et al.
4,084,778 A	4/1978	Dominguez	6,502,917 B1	1/2003	Shinada et al.
4,193,048 A	3/1980	Nyhus	D473,238 S	4/2003	Cockerill
4,322,698 A	3/1982	Takahashi et al.	6,557,967 B1	5/2003	Lee
4,518,965 A	5/1985	Hidaka	6,628,531 B2	9/2003	Dadafshar
D283,032 S	3/1986	Quesnel	6,654,568 B2	11/2003	Matsuguma
4,616,205 A	10/1986	Praught et al.	6,655,768 B1	12/2003	Takagi
4,731,297 A	3/1988	Takaya	6,665,508 B2	12/2003	Sudo et al.
4,769,625 A	9/1988	Meindl	6,675,005 B2	1/2004	Dobrovolny
4,857,869 A	8/1989	Terakawa et al.	6,710,689 B2	3/2004	Wohlfarth
D305,887 S	2/1990	Nishimura	6,713,399 B1	3/2004	Kao
4,992,769 A	2/1991	Oppelt et al.	D489,695 S	5/2004	Komoto
5,005,019 A	4/1991	Zaghloul et al.	6,765,469 B2	7/2004	Sortor
5,061,910 A	10/1991	Bouny	D498,357 S	11/2004	Smith
5,061,943 A	10/1991	Rammos	6,826,380 B2	11/2004	Karakama et al.
D324,990 S	3/1992	Gary	6,863,387 B2	3/2005	Thielman et al.
5,155,663 A	10/1992	Harase	6,879,235 B2	4/2005	Ichikawa
5,179,365 A	1/1993	Raggi	D505,416 S	5/2005	Ma
5,345,670 A	9/1994	Pitzele et al.	6,917,254 B2	7/2005	Kaehs
5,349,743 A	9/1994	Grader et al.	6,991,419 B2	1/2006	Kim
5,359,313 A	10/1994	Watanabe et al.	6,992,630 B2	1/2006	Parsche
5,404,118 A	4/1995	Okamura et al.	D517,373 S	3/2006	Cappellino et al.
D359,756 S	6/1995	Ely	7,018,017 B2	3/2006	Song et al.
5,479,146 A	12/1995	Herbert	7,072,636 B2	7/2006	Oobrovolny
5,521,573 A	5/1996	Inoh et al.	7,079,080 B2	7/2006	Mizuno et al.
5,559,487 A	9/1996	Butcher et al.	7,082,276 B2	7/2006	Karakama et al.
D374,739 S	10/1996	Blanton	7,098,856 B2	8/2006	Okado
5,572,180 A	11/1996	Huang et al.	D529,000 S	9/2006	Ishii
D379,006 S	4/1997	Gaumet	7,101,021 B2	9/2006	Aruga
5,631,822 A	5/1997	Silberkleit et al.	7,102,572 B2	9/2006	Okado
D385,545 S	10/1997	Levin	D534,134 S	12/2006	Lai
D395,923 S	7/1998	Ely	7,148,850 B2	12/2006	Puente Baliarda et al.
5,777,539 A	7/1998	Folker et al.	7,186,297 B2	3/2007	Asano
5,805,219 A	9/1998	Ejima et al.	7,212,750 B2	5/2007	Kawai
5,844,461 A	12/1998	Faulk et al.	7,218,866 B2	5/2007	Hayashi et al.
D410,968 S	6/1999	Swan et al.	D543,976 S	6/2007	Oliver
5,917,386 A	6/1999	Oobrovolny	D547,306 S	7/2007	Oliver
5,944,563 A	8/1999	Nagafuji	7,256,676 B2	8/2007	Poynton
5,950,047 A	9/1999	Miyabe et al.	7,277,664 B2	10/2007	Katsuyama et al.
5,973,644 A	10/1999	Haneishi et al.	7,327,486 B2	2/2008	Renda
5,988,510 A	11/1999	Tuttle et al.	7,332,993 B1	2/2008	Nussbaum
5,988,801 A	11/1999	Coiner	7,375,737 B2	5/2008	Botten et al.
5,990,776 A	11/1999	Jitaru	7,425,151 B2	9/2008	Baba et al.
6,046,662 A	4/2000	Schroter et al.	7,433,622 B2	10/2008	Chadani et al.
D423,774 S	5/2000	Peterson	7,439,838 B2	10/2008	Chen et al.
6,060,974 A	5/2000	Schroter et al.	7,439,839 B2	10/2008	Podlisk et al.
6,097,345 A	8/2000	Walton	7,447,469 B2	11/2008	Uchiyama et al.
6,114,932 A	9/2000	Wester et al.	7,471,246 B2	12/2008	Soler Castany et al.
D434,418 S	11/2000	Shinada	D589,474 S	3/2009	Ogasawara et al.
6,154,111 A	11/2000	Rehm et al.	7,510,251 B2	3/2009	Wanibe et al.
6,167,219 A	12/2000	Miyamoto et al.	D589,912 S	4/2009	Ogasawara et al.
6,208,528 B1	3/2001	Soto et al.	D591,336 S *	4/2009	Kurenuma D18/43
6,216,883 B1	4/2001	Kobayashi et al.	7,522,054 B2	4/2009	Takei
6,239,683 B1	5/2001	Roessler et al.	D591,733 S	5/2009	Karakama
D444,706 S	7/2001	Giancaspro	D591,734 S	5/2009	Karakama
6,329,950 B1	12/2001	Harrell et al.	D592,162 S	5/2009	Sugimoto et al.
6,339,385 B1	1/2002	Tuttle	D592,615 S	5/2009	Imai et al.
6,346,919 B1	2/2002	Wang et al.	7,562,958 B2	7/2009	Asauchi
6,380,834 B1	4/2002	Canzano et al.	D599,307 S	9/2009	Blumberg et al.
			D599,308 S	9/2009	Blumberg et al.
			D602,519 S *	10/2009	Kurenuma D18/43
			7,598,837 B2	10/2009	Gilmartin et al.
			D603,812 S	11/2009	Johnson et al.
			7,653,990 B2	2/2010	Lee et al.
			7,656,247 B2	2/2010	Kaehs
			7,659,468 B1	2/2010	Gottlieb
			7,706,699 B2	4/2010	Taguchi et al.
			7,720,417 B2	5/2010	Taguchi et al.
			7,742,717 B2	6/2010	Kim
			D621,803 S	8/2010	Maruyama et al.
			7,822,371 B2	10/2010	Taguchi et al.
			D626,404 S	11/2010	Koehn
			D628,170 S	11/2010	Maruyama et al.

(56)

References Cited

U.S. PATENT DOCUMENTS

7,840,154 B2 11/2010 Ishii et al.
 7,860,427 B2 12/2010 Hayashi et al.
 7,885,554 B2 2/2011 Shirokoshi et al.
 D636,813 S * 4/2011 Kikuchi D18/43
 7,945,184 B2 5/2011 Takagi
 7,953,339 B2 5/2011 Fukamachi et al.
 D640,645 S 6/2011 Andrews et al.
 7,971,792 B2 7/2011 Seriu et al.
 7,982,576 B2 7/2011 Feng et al.
 D643,708 S 8/2011 Hecht
 D652,409 S 1/2012 Hernandez et al.
 8,089,331 B2 1/2012 Jacobson et al.
 D656,147 S 3/2012 Schlosstein
 D656,909 S 4/2012 Taniguchi et al.
 D656,910 S 4/2012 Taniguchi et al.
 D659,684 S 5/2012 Karakama et al.
 D664,511 S 7/2012 Taniguchi et al.
 D664,512 S 7/2012 Taniguchi et al.
 8,213,842 B2 7/2012 Usui
 D667,047 S * 9/2012 Oshikawa D18/43
 D667,048 S * 9/2012 Oshikawa D18/43
 8,299,869 B2 10/2012 Laporte et al.
 D671,511 S 11/2012 Amano et al.
 8,311,447 B2 11/2012 Mitsuishi et al.
 D673,141 S 12/2012 Lolli
 D674,365 S 1/2013 Kajiwara
 D675,582 S 2/2013 Segler et al.
 D678,227 S 3/2013 Takahashi et al.
 8,390,657 B2 3/2013 Nagumo
 8,396,398 B2 3/2013 Taguchi et al.
 D682,042 S 5/2013 Sanders
 D683,391 S * 5/2013 Takahashi D18/43
 8,448,874 B2 5/2013 Koskelainen
 D686,666 S 7/2013 Lee et al.
 8,532,542 B2 9/2013 Mitsuishi et al.
 D695,240 S 12/2013 Iida et al.
 D701,498 S 3/2014 Iida et al.
 D704,171 S 5/2014 Forster
 D706,246 S 6/2014 Forster
 8,743,007 B2 6/2014 Kaneko et al.
 8,789,762 B2 7/2014 Finn et al.
 D720,359 S 12/2014 Bauermeister
 8,928,449 B2 1/2015 Silva et al.
 8,941,457 B2 1/2015 Yan et al.
 8,988,179 B2 3/2015 Kim et al.
 8,991,712 B2 3/2015 Kim et al.
 D727,928 S 4/2015 Allison et al.
 D730,329 S 5/2015 Man
 9,054,094 B2 6/2015 Anthony et al.
 2001/0051088 A1 12/2001 Park et al.
 2002/0067315 A1 6/2002 Kunysz
 2002/0071399 A1 6/2002 Smith
 2003/0170042 A1 9/2003 Okamoto et al.
 2003/0179067 A1 9/2003 Gamou et al.
 2004/0070914 A1 4/2004 Ferreres
 2004/0075616 A1 4/2004 Endo et al.
 2004/0079957 A1 4/2004 Andrews et al.
 2004/0100523 A1 5/2004 Silverbrook et al.
 2004/0238416 A1 12/2004 Burbank et al.
 2006/0133831 A1 6/2006 Rommelmann et al.
 2006/0170557 A1 8/2006 Berson
 2007/0081033 A1 4/2007 Silverbrook
 2007/0081036 A1 4/2007 Silverbrook
 2007/0086809 A1 4/2007 Yamane
 2007/0122205 A1 5/2007 Taguchi et al.
 2007/0132077 A1 6/2007 Choi et al.
 2007/0229368 A1 10/2007 Hata et al.
 2007/0230999 A1 10/2007 Shimomura
 2007/0268335 A1 11/2007 Silverbrook
 2008/0001160 A1 1/2008 Andrews
 2008/0024241 A1 1/2008 Hata et al.
 2008/0054286 A1 3/2008 Loh et al.
 2008/0102674 A1 5/2008 Dawson et al.
 2009/0040276 A1 2/2009 North et al.
 2010/0008693 A1 1/2010 Hayashi et al.

2010/0060687 A1 3/2010 Kim
 2010/0201748 A1 8/2010 Kishikawa et al.
 2010/0226690 A1 9/2010 Kadota et al.
 2012/0096383 A1 4/2012 Sakamoto et al.
 2012/0113197 A1 5/2012 Kashu et al.
 2013/0050342 A1 2/2013 Price
 2013/0330106 A1 12/2013 Mitsuishi et al.
 2014/0139584 A1 5/2014 Chen et al.
 2014/0218437 A1 8/2014 Ciampini et al.
 2014/0232792 A1 8/2014 Munakata
 2014/0240404 A1 8/2014 Li et al.
 2014/0340450 A1 11/2014 Kunnavakkam et al.
 2014/0354735 A1 12/2014 Robinson et al.
 2015/0049141 A1 2/2015 Taff et al.

FOREIGN PATENT DOCUMENTS

EP 1363168 11/2003
 EP 1 892 102 A2 2/2008
 EP 2 037 327 3/2009
 JP 62-80672 5/1987
 JP 3-57074 5/1991
 JP 3-60774 U 6/1991
 JP 4-30784 U 3/1992
 JP 8-221525 8/1996
 JP 09-280288 A 10/1997
 JP 10-49032 12/1998
 JP 11-348375 12/1999
 JP 2002-196629 7/2002
 JP 2003-11389 A 1/2003
 JP 2003-330335 11/2003
 JP 2004-61596 2/2004
 JP 2006-58743 A 3/2006
 JP 2006-65267 3/2006
 JP 2006-119467 5/2006
 JP 2006-145960 6/2006
 JP 2006-184850 7/2006
 JP 2006-209060 8/2006
 JP 2006-267992 10/2006
 JP 2007-10774 1/2007
 JP 2007-047392 A 2/2007
 JP 2007-47397 2/2007
 JP 2007-199505 A 8/2007
 JP 2008-020605 A 1/2008
 JP 2008-185825 A 8/2008
 JP 2008-224966 A 9/2008
 JP 2008-257124 10/2008
 JP 2009-054627 A 3/2009
 JP 2009-69417 4/2009
 JP 2009-294477 A 12/2009
 JP 2010-020219 A 1/2010
 JP 2010-026501 A 2/2010
 JP 2010 033991 2/2010
 JP 2010-66638 3/2010
 JP 2010-94924 4/2010
 WO 1 936 631 A1 6/2008
 WO WO 2009/052702 4/2009

OTHER PUBLICATIONS

“Universal Serial Bus Specification” Compaq Computer Corporation, Revision 1.1, Sep. 1998, 327 pages.
 Office Action issued Mar. 31, 2015 in Japanese Patent Application No. 2011-220226.
 Office Action issued Jun. 23, 2015 in Japanese Patent Application No. 2015-100338.
 Notice of Allowance issued Jul. 22, 2015 in co-pending U.S. Appl. No. 29/501,858.
 U.S. Notice of Allowance mailed Sep. 24, 2015, corresponding U.S. Appl. No. 14/322,754.
 Office Action mailed Dec. 5, 2014 in co-pending U.S. Appl. No. 14/322,754.
 Office Action mailed Oct. 10, 2014 in co-pending U.S. Appl. No. 14/047,755.
 Office Action issued Aug. 19, 2014 in Japanese Patent Application No. 2011-220226.

(56)

References Cited

OTHER PUBLICATIONS

U.S. Office Action issued Aug. 18, 2014 in U.S. Appl. No. 14/298,601.

Extended European Search Report dated Aug. 12, 2014 in European Patent Application EP 1 416 2692 (in English).

Office Action mailed Sep. 6, 2011, in Japanese Patent Application No. 2011-121688 (with English-language translation).

Decision of a Patent Grant mailed Nov. 29, 2011, in Japanese Patent Application No. 2011-121688 (with English-language translation).

Decision of a Patent Grant mailed Sep. 6, 2011, in Japanese Patent Application No. 2011-121692 (with English-language translation).

Written Opinion of the International Searching Authority mailed Aug. 23, 2011, in PCT/JP2011/063993.

Office Action issued Aug. 29, 2014 in Korean Patent Application No. 10-2012-7012751.

Office Action issued Jul. 28, 2014 in Taiwanese Patent Application No. 100120554 (with English Translation).

Office Action issued Sep. 25, 2014 in co-pending U.S. Appl. No. 14/447,241.

Japanese Office Action mailed Sep. 29, 2015 for Japanese Application No. 2011-264251.

US Office Action mailed Nov. 12, 2015 for U.S. Appl. No. 14/750,679.

Extended European Search Report issued Dec. 15, 2015, in corresponding EP Application No. 15184363.8-1560.

Office Action issued Jan. 21 2016, in Singapore Application No. 10201504616T.

Office Action (8 pages) issued Feb. 5, 2016 by the Korean Intellectual Property Office (KIPO) in Korean Application No. 10-2014-7024545, with English translation (7 pages).

* cited by examiner

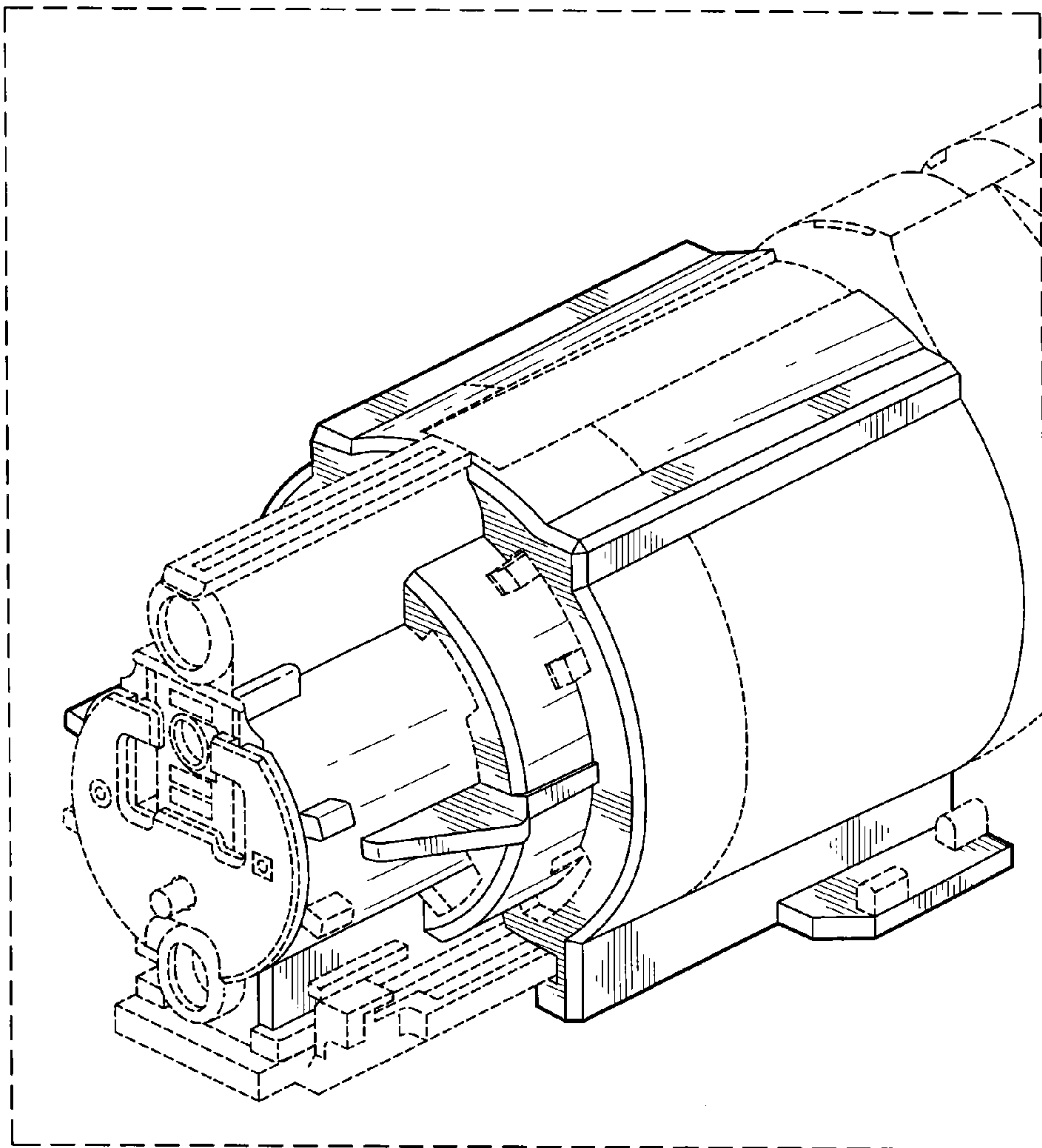


Fig. 1

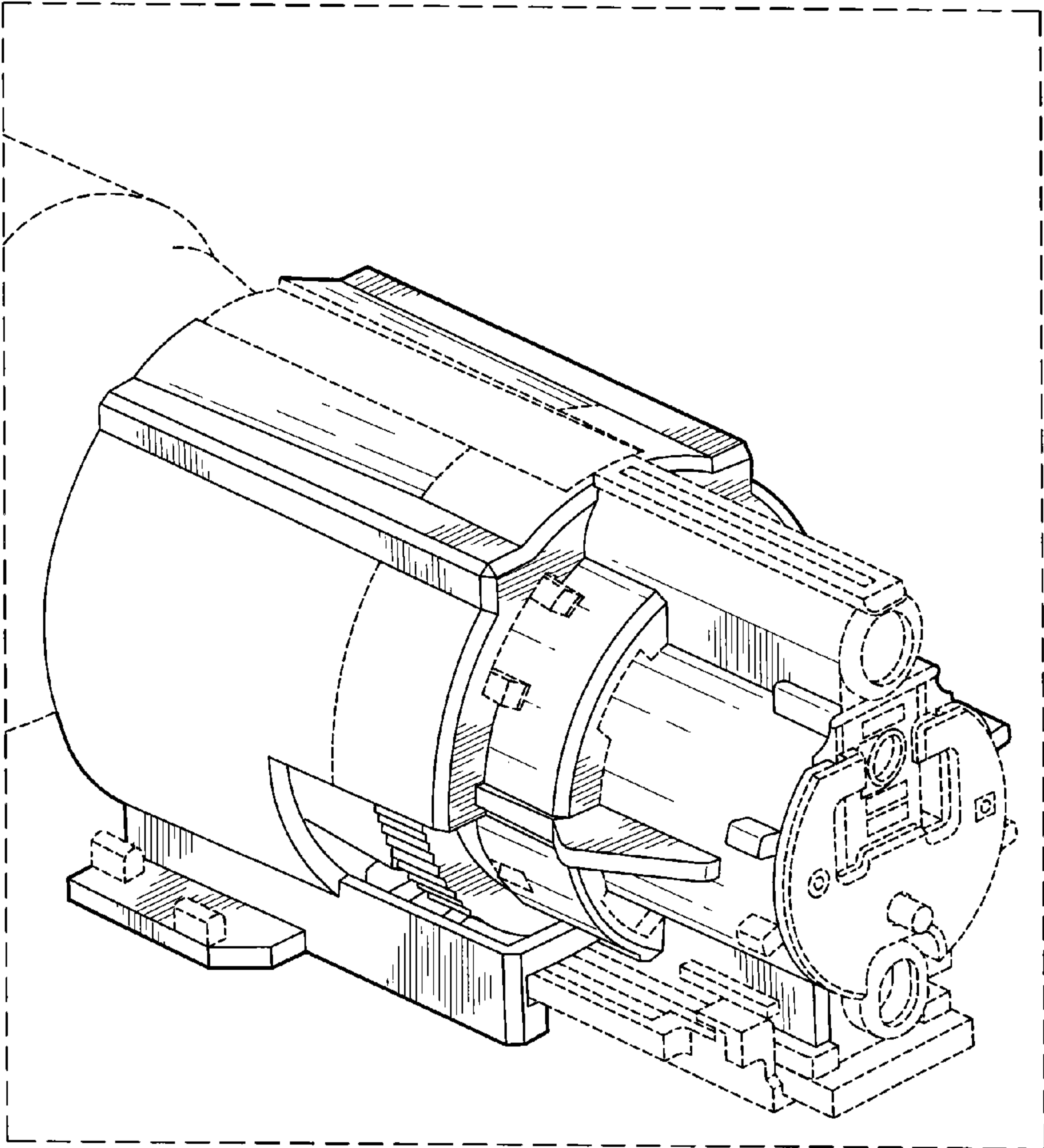


Fig. 2

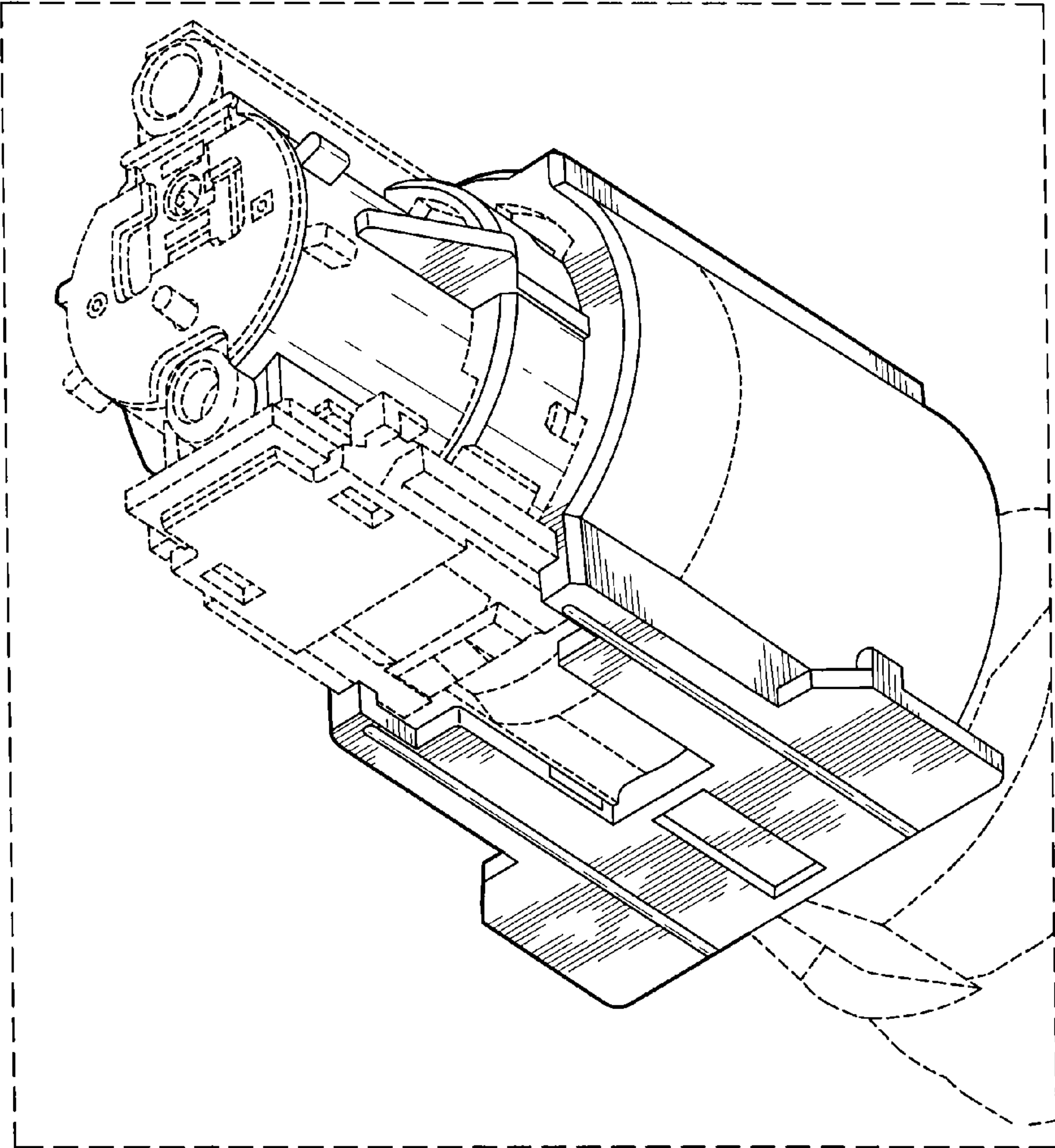


Fig. 3

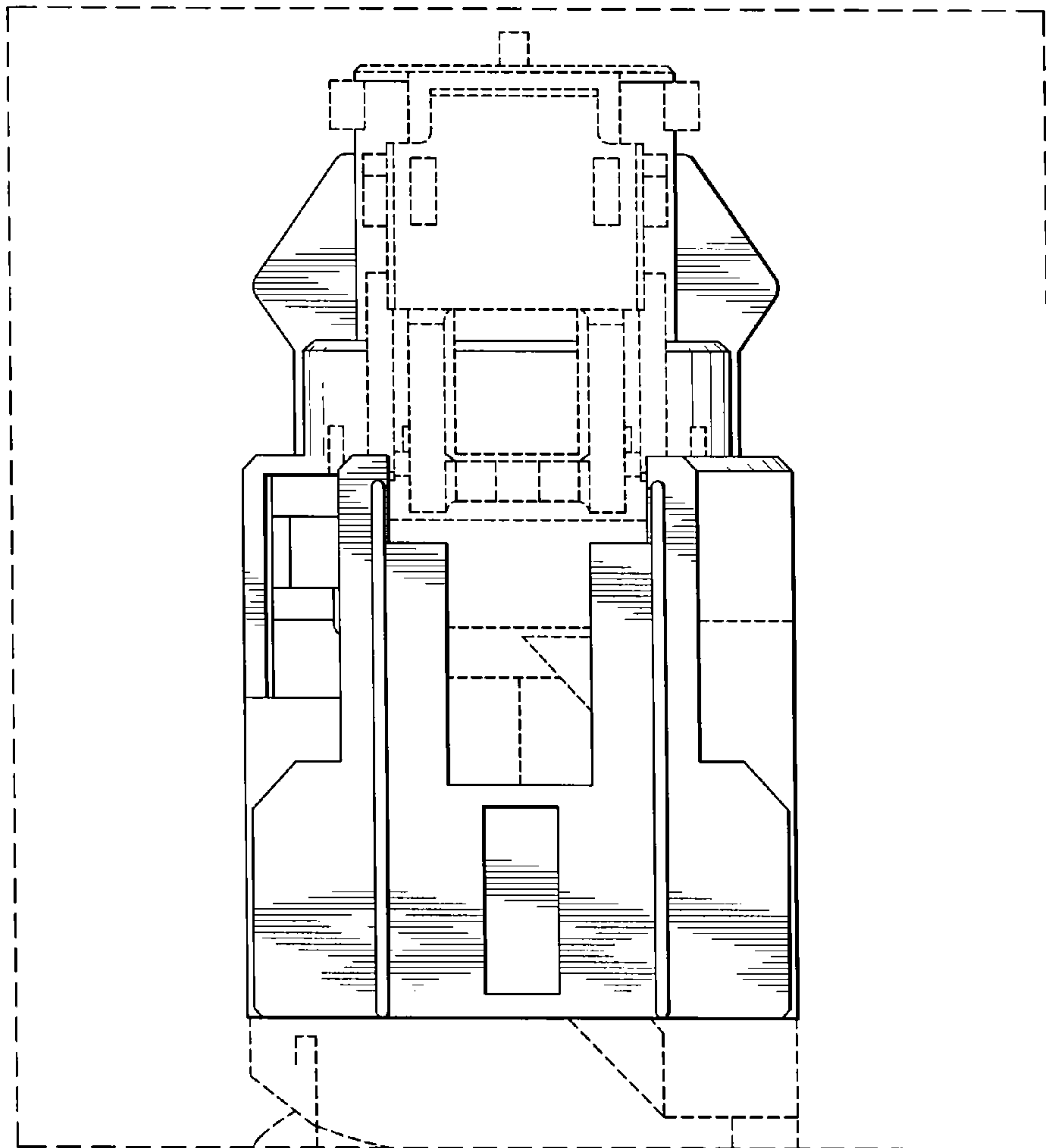


Fig. 4

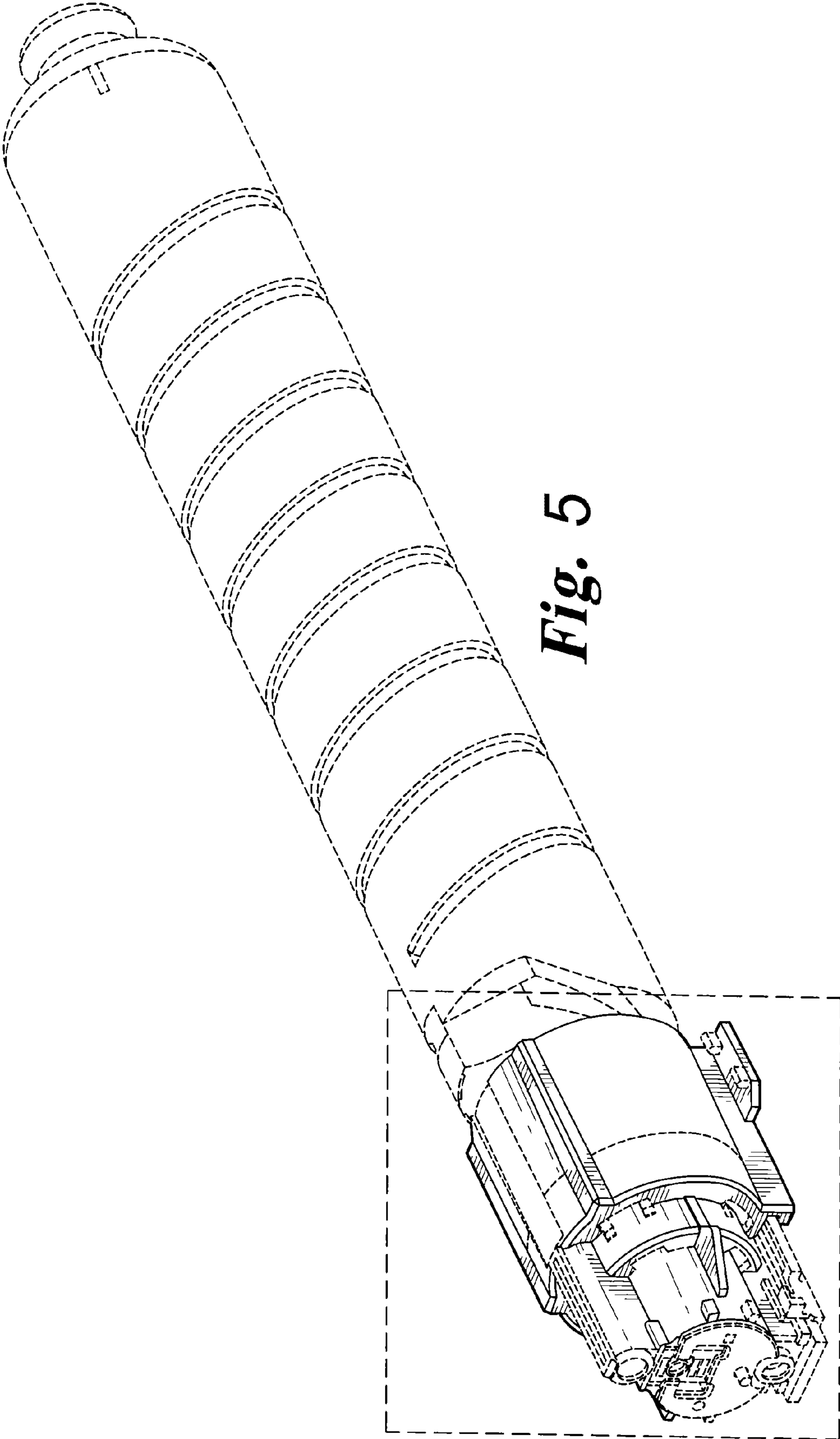


Fig. 5

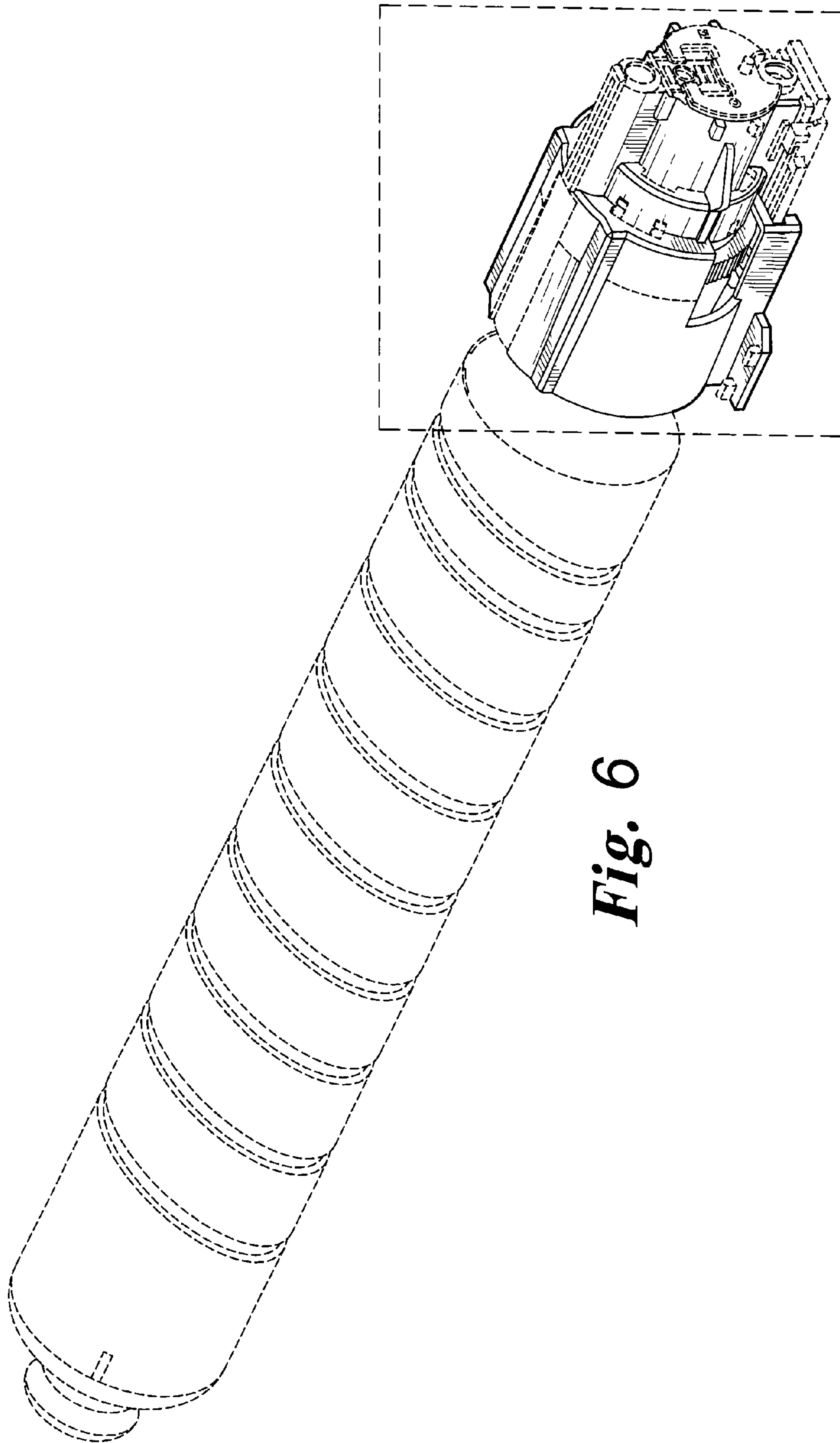


Fig. 6

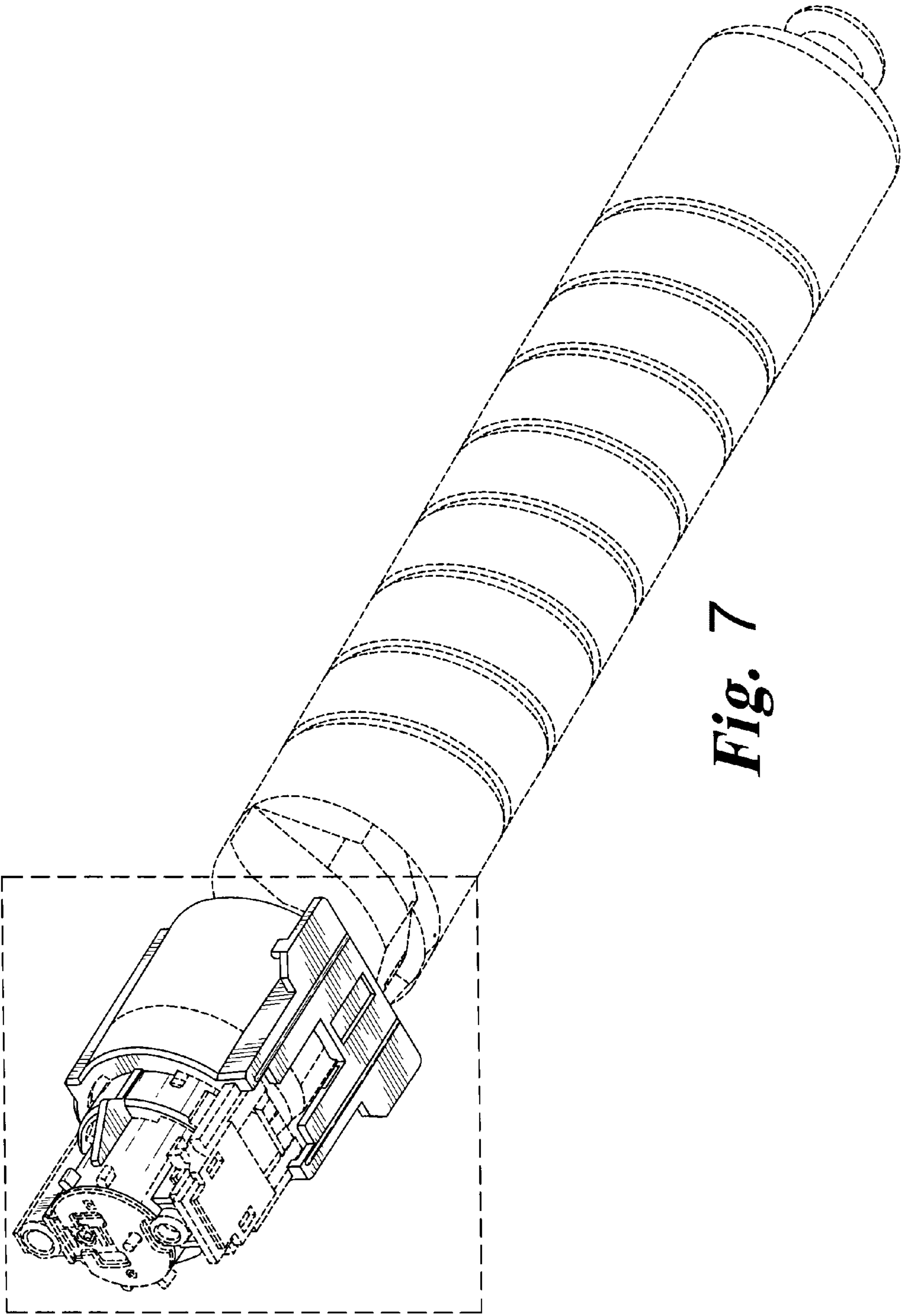


Fig. 7

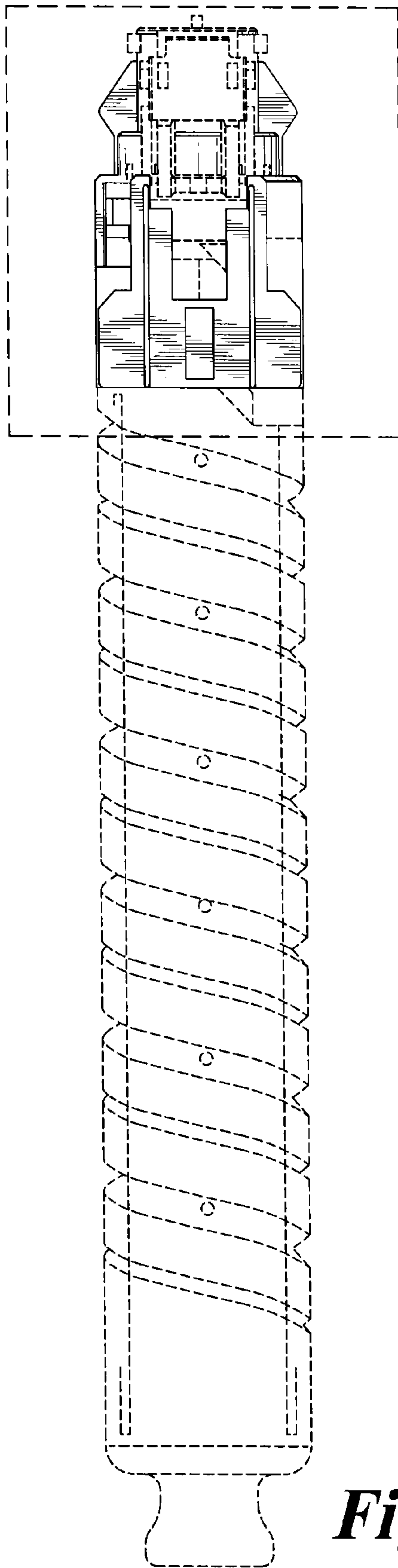


Fig. 8