



US00D758481S

(12) **United States Design Patent**
Medugorac et al.

(10) **Patent No.:** **US D758,481 S**
(45) **Date of Patent:** **** Jun. 7, 2016**

(54) **PRINTER**

(71) Applicant: **Mettler-Toledo (Albstadt) GmbH**,
Albstadt (DE)

(72) Inventors: **Kostas Medugorac**, Stuttgart (DE);
Walter Holike, Geislingen (DE)

(73) Assignee: **METTLER-TOLEDO (ALBSTADT)**
GMBH, Albstadt (DE)

(**) Term: **14 Years**

(21) Appl. No.: **29/520,409**

(22) Filed: **Mar. 13, 2015**

(30) **Foreign Application Priority Data**

Sep. 24, 2014 (EM) 002543702

(51) **LOC (10) Cl.** **18-99**

(52) **U.S. Cl.**
USPC **D18/19**

(58) **Field of Classification Search**
USPC D18/19, 14, 50, 54, 36-37; D19/68;
D14/314, 332, 348-349, 351, 352
CPC B41J 3/4075; B65C 11/00; B65C 11/02;
B65C 11/0205; B65C 11/021; B65C 11/0215;
B65C 11/0221; B65C 11/0226; B65C
11/0231; B65C 11/0236; B65C 11/0242;
B65C 11/0252; B65C 11/0257; B65C
11/0268; B65C 11/0273; B65C 11/0284;
B65C 11/0289; B65C 1/0294; B65C 11/04;
B65C 11/046; B65C 11/06; B65C 11/062;
B65C 11/064; B65C 11/066; B65C 11/068

See application file for complete search history.

(56) **References Cited**

U.S. PATENT DOCUMENTS

D386,515	S	*	11/1997	Sommerville	D18/50
D398,646	S	*	9/1998	Geiger	D18/19
D422,631	S	*	4/2000	Toriyama	D18/50
D430,199	S	*	8/2000	Petteruti	D18/50
D473,261	S	*	4/2003	Ohtani	D18/14
6,609,844	B1	*	8/2003	Petteruti	B41J 3/36 101/407.1
6,916,128	B1	*	7/2005	Petteruti	B41J 3/36 400/691
D522,571	S	*	6/2006	Senda	D18/54
D549,768	S	*	8/2007	Panebianco	D18/14
D654,949	S	*	2/2012	Preliasco	D18/14
D685,415	S	*	7/2013	Kinoshita	D18/54
D713,871	S	*	9/2014	Preliasco	D18/14
2006/0165467	A1	*	7/2006	Kawakami	B41J 3/4075 400/613

OTHER PUBLICATIONS

Brady Systems. <URL: <http://bradysystems.com/wp-content/uploads/2012/10/Impact-S-Brochure.pdf>>. Copyrighted 2012. Mettler Toledo Impact S Counter Scale brochure.*

* cited by examiner

Primary Examiner — Bridget L Eland

Assistant Examiner — Lauren McVey

(74) *Attorney, Agent, or Firm* — Standley Law Group LLP

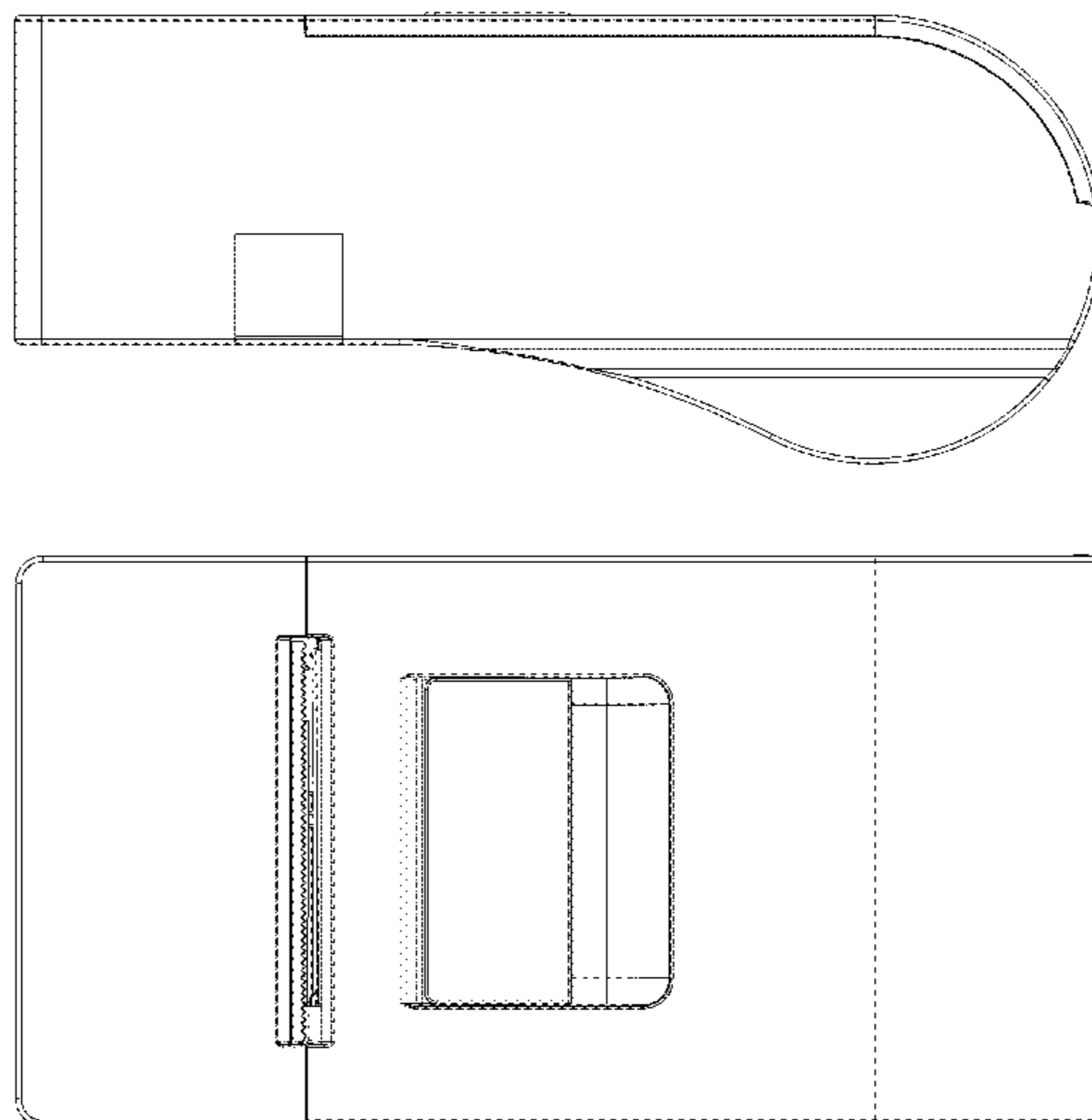
(57) **CLAIM**

The ornamental design for a printer, as shown and described.

DESCRIPTION

FIG. 1 is a front perspective view of the printer;
FIG. 2 is a left side elevation view thereof;
FIG. 3 is a right-side elevation view thereof;
FIG. 4 is a top plan view thereof;
FIG. 5 is a bottom plan view thereof;
FIG. 6 is a front elevation view thereof; and,
FIG. 7 is a rear elevation view thereof.

1 Claim, 7 Drawing Sheets



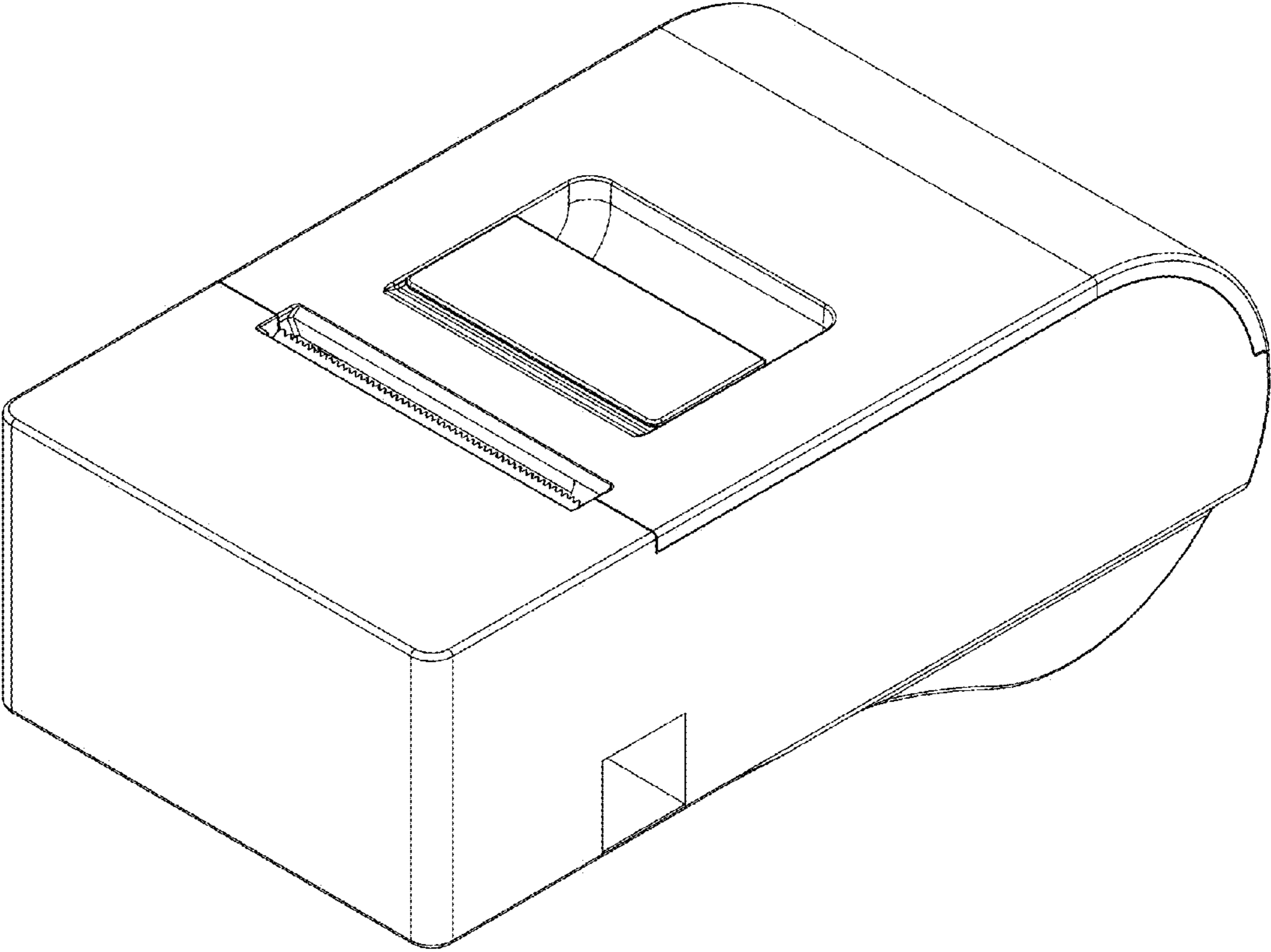


FIG. 1

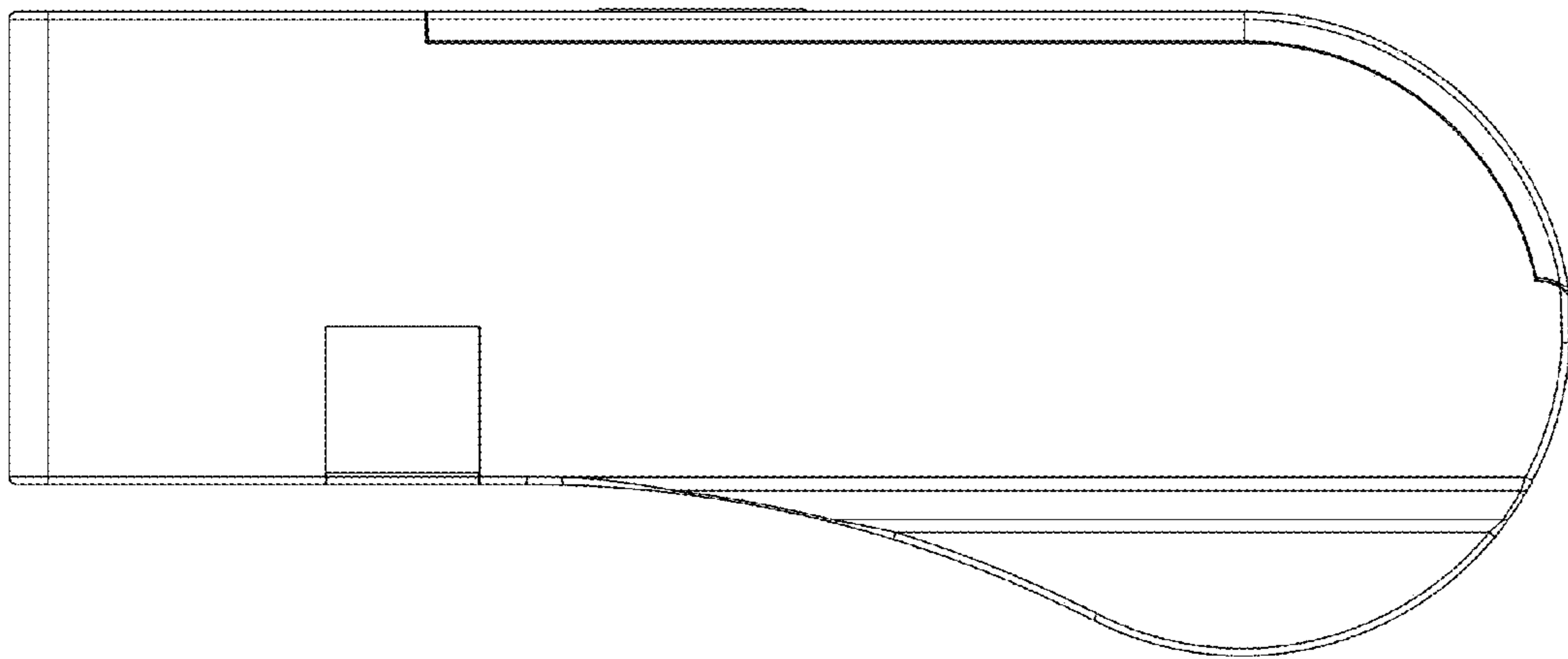


FIG. 2

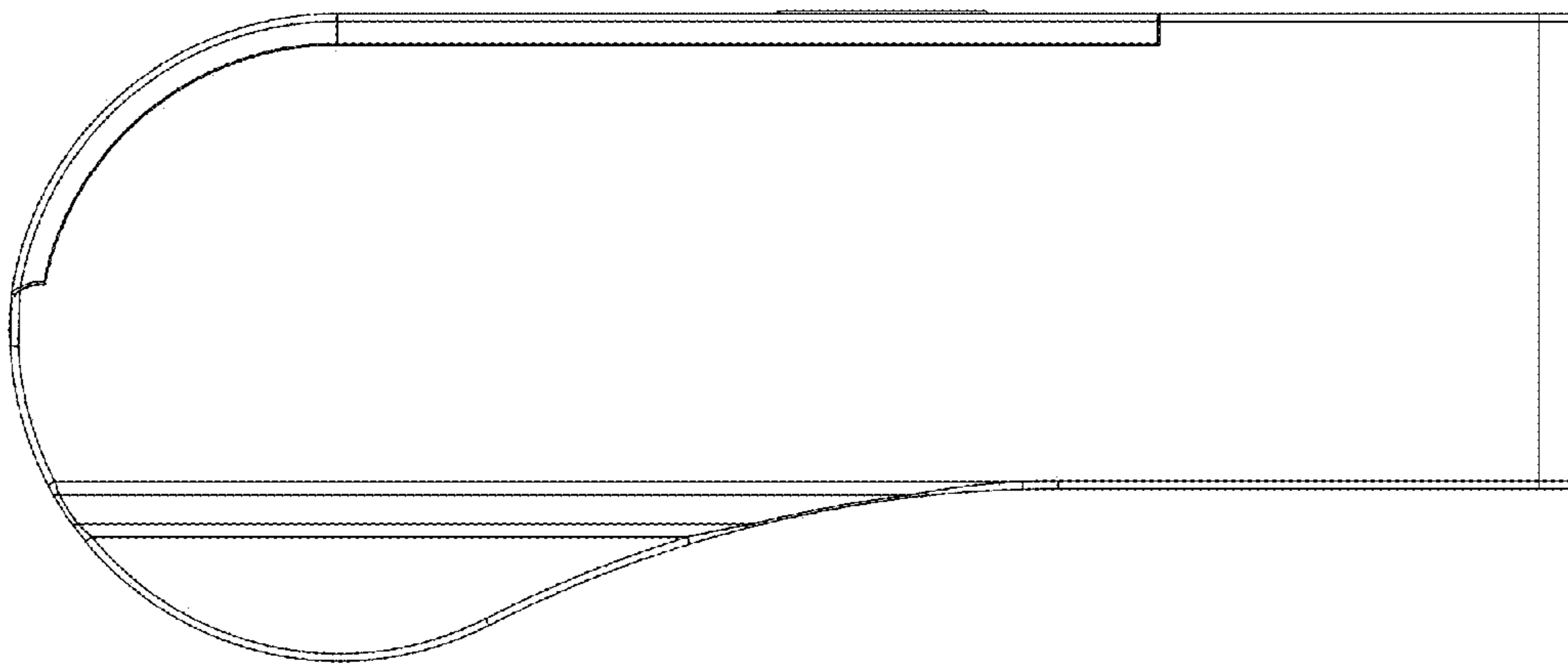


FIG. 3

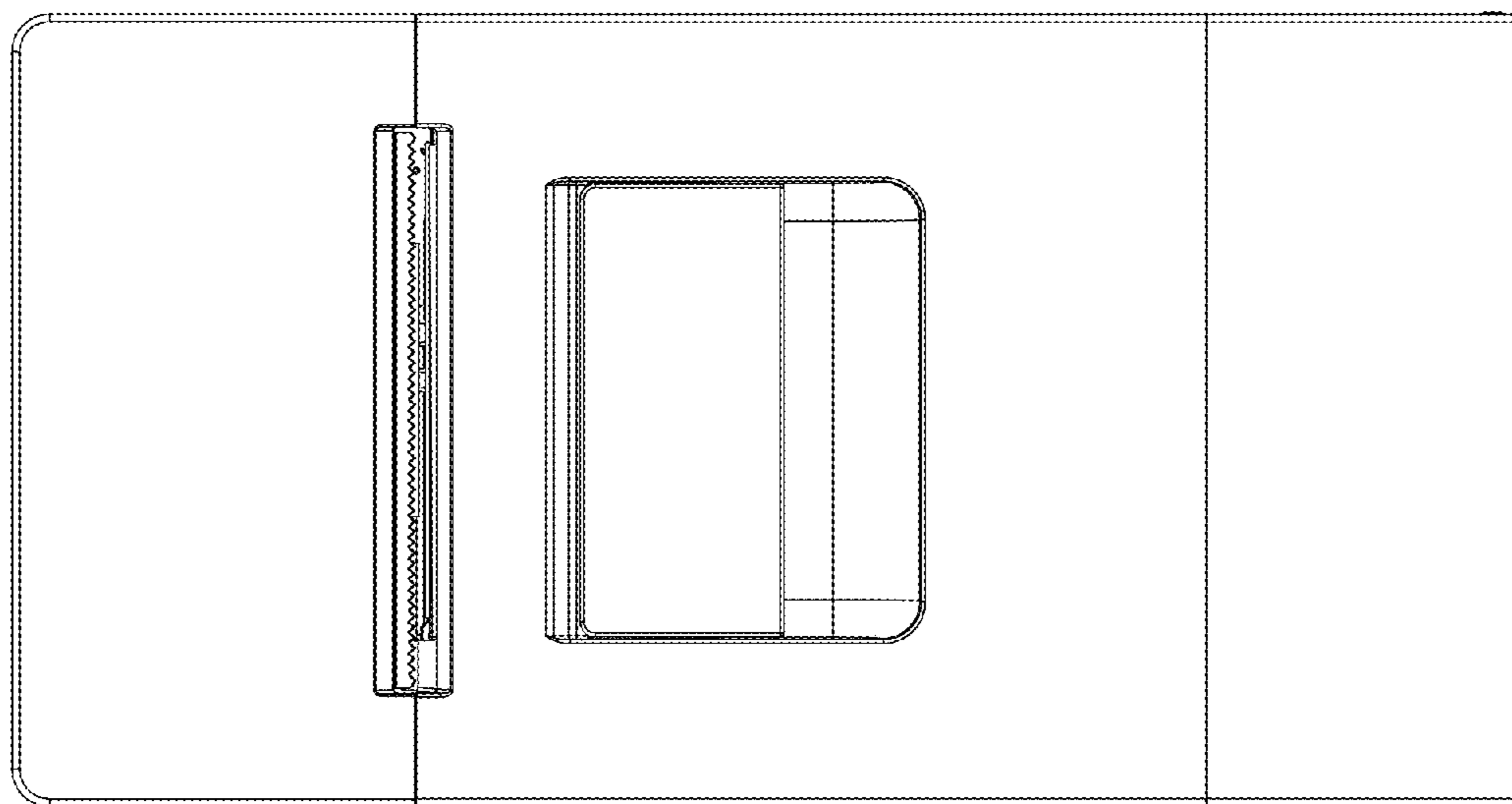


FIG. 4

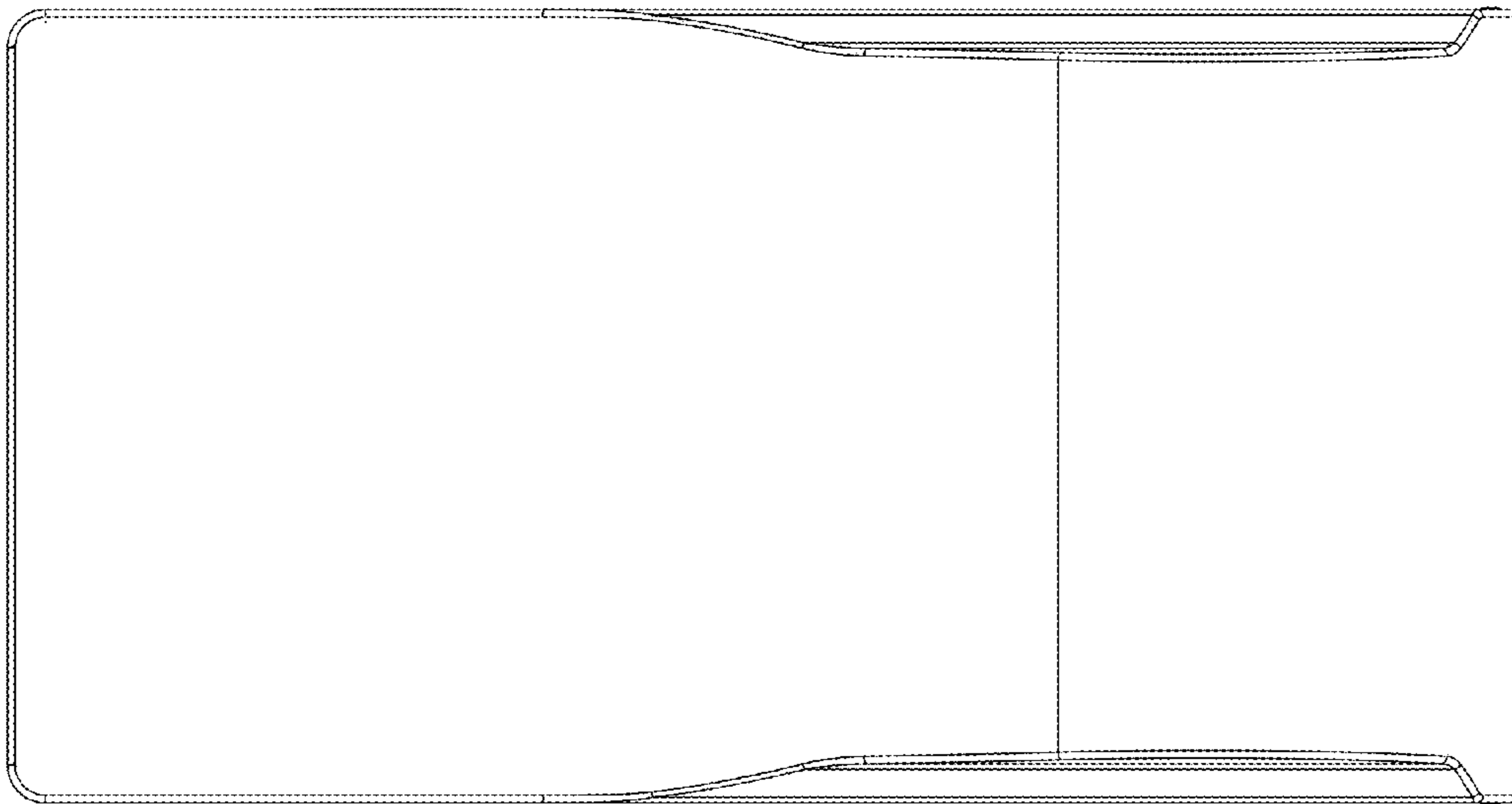


FIG. 5

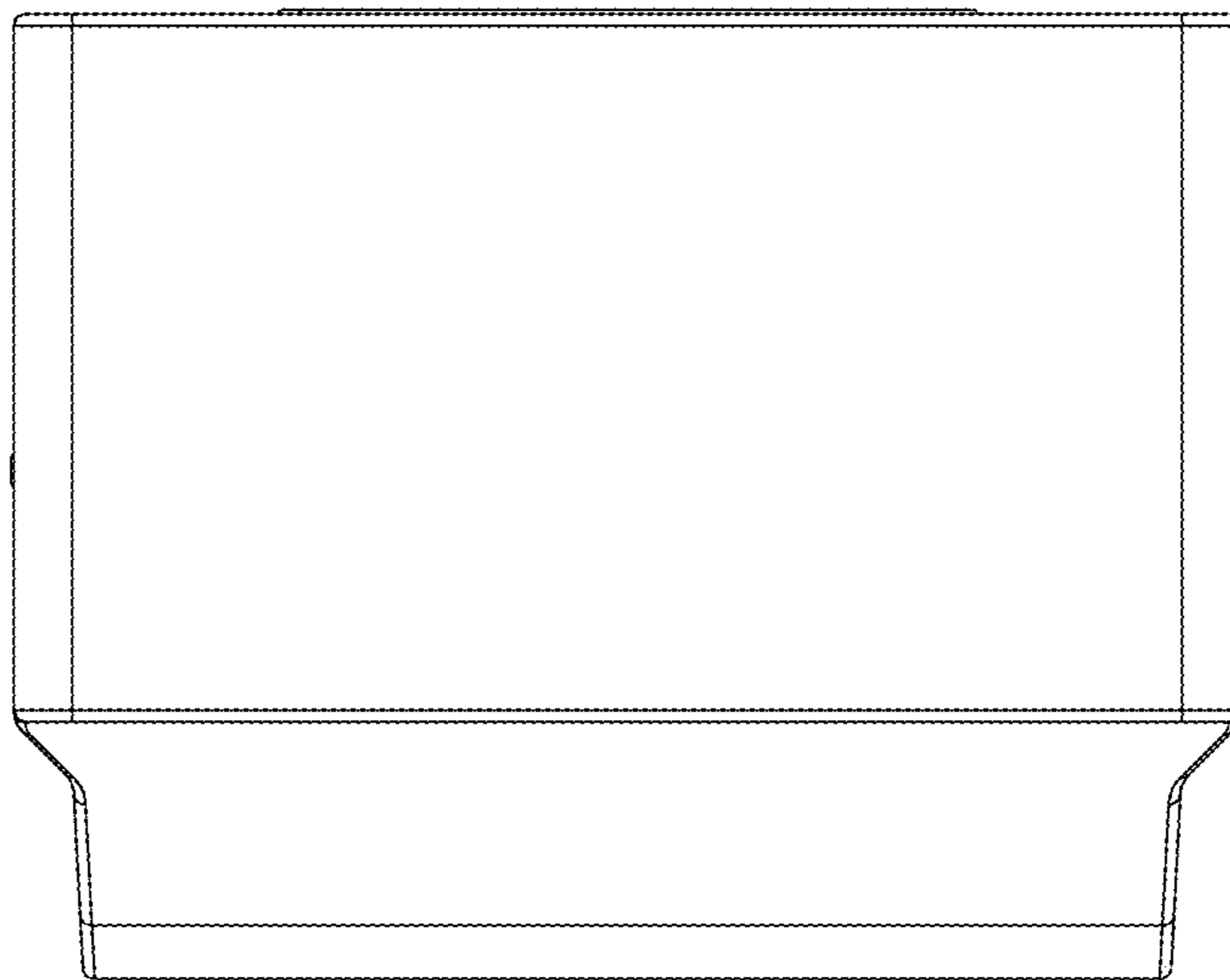


FIG. 6

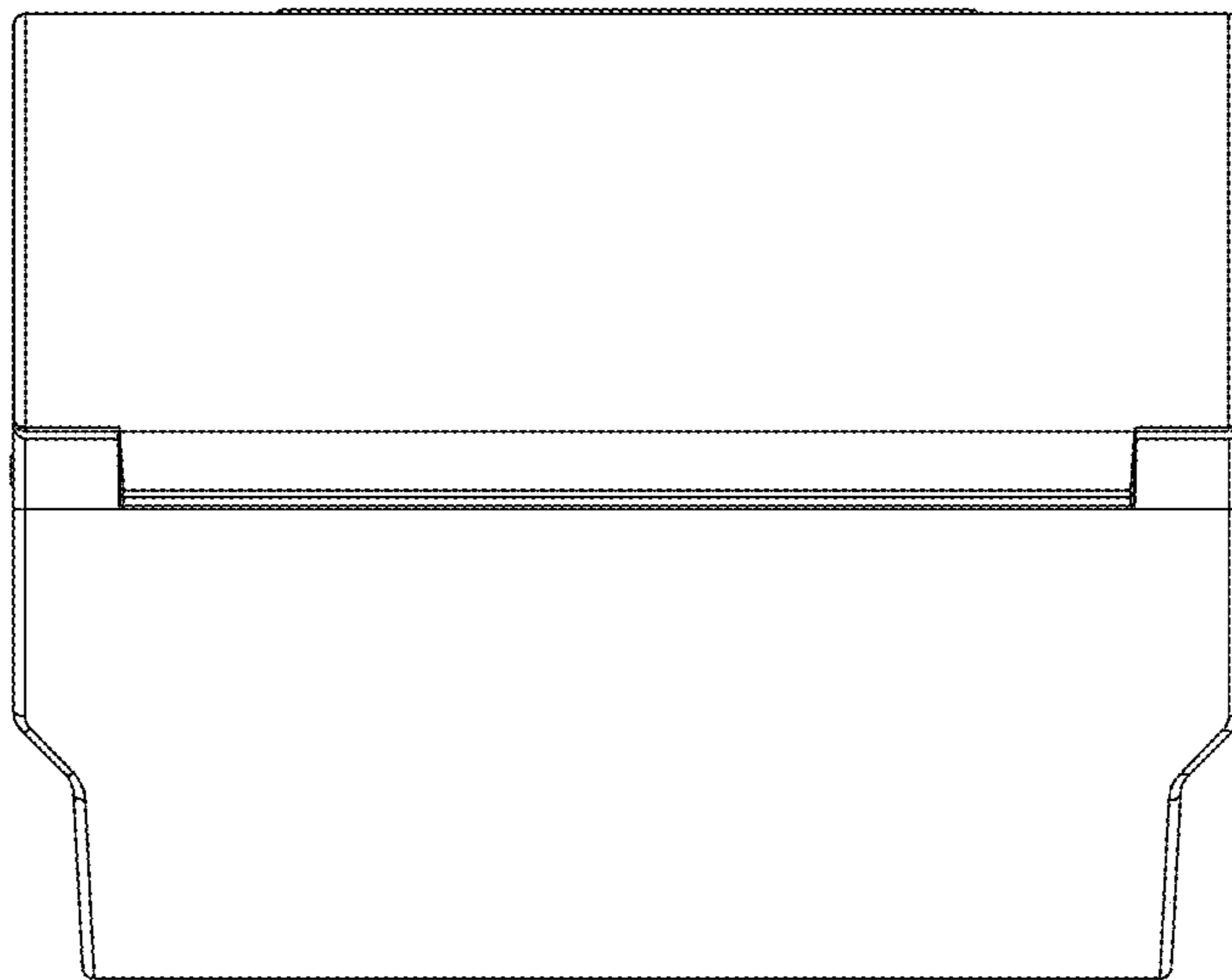


FIG. 7