



US00D758479S

(12) **United States Design Patent**
Hudson

(10) **Patent No.:** **US D758,479 S**
(45) **Date of Patent:** **** Jun. 7, 2016**

- (54) **LUG**
- (71) Applicant: **Marshall Amplification PLC**,
Buckinghamshire (GB)
- (72) Inventor: **Nick Hudson**, Leicestershire (GB)
- (73) Assignee: **Marshall Amplification PLC**,
Buckinghamshire (GB)
- (**) Term: **14 Years**
- (21) Appl. No.: **29/507,976**
- (22) Filed: **Oct. 31, 2014**

- 5,616,875 A 4/1997 Lombardi
- D408,436 S 4/1999 Lombardi
- 6,093,877 A 7/2000 Nickel
- 6,222,107 B1 4/2001 Lo
- 6,242,680 B1 6/2001 Benton, Jr.
- D447,508 S 9/2001 Chen
- D453,178 S 1/2002 Reyes
- D464,986 S 10/2002 Hagiwara
- 6,534,698 B2 3/2003 Hoshino
- D489,751 S 5/2004 Liao

(Continued)

OTHER PUBLICATIONS

Design U.S. Appl. No. 29/392,724, filed May 25, 2011.

(Continued)

Related U.S. Application Data

- (62) Division of application No. 29/392,724, filed on May 25, 2011, now Pat. No. Des. 720,390.
- (51) **LOC (10) Cl.** **17-04**
- (52) **U.S. Cl.**
USPC **D17/22**
- (58) **Field of Classification Search**
USPC D17/22, 99; 84/411 R, 415, 146, 147
CPC . G10D 13/023; G10D 13/024; G10D 13/026;
G10D 13/021; G10D 13/02
See application file for complete search history.

Primary Examiner — Ian Simmons

Assistant Examiner — Carissa C Fitts

(74) *Attorney, Agent, or Firm* — Marshall, Gerstein & Borun LLP

(57) **CLAIM**

The ornamental design for a lug, as shown and described.

DESCRIPTION

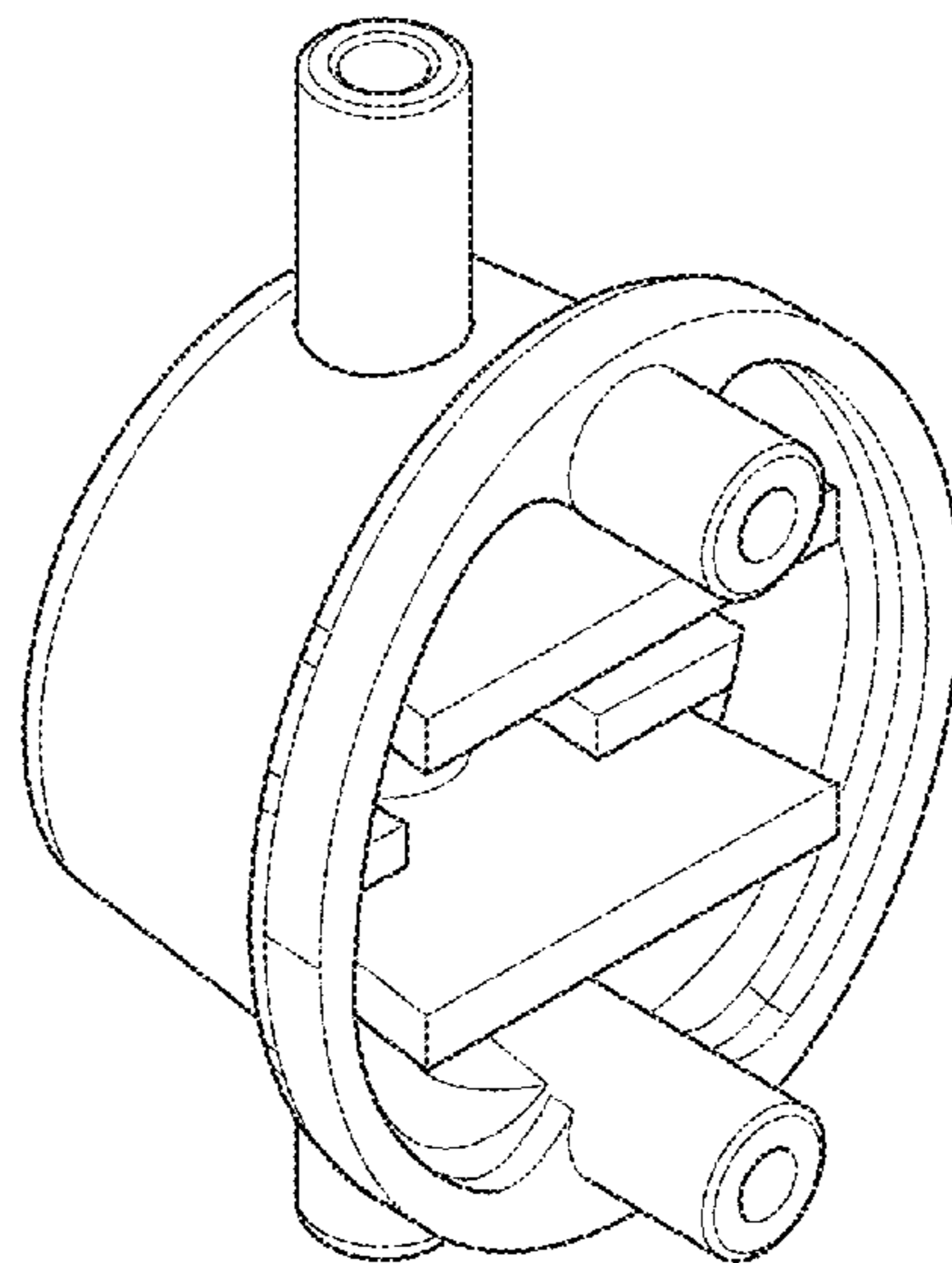
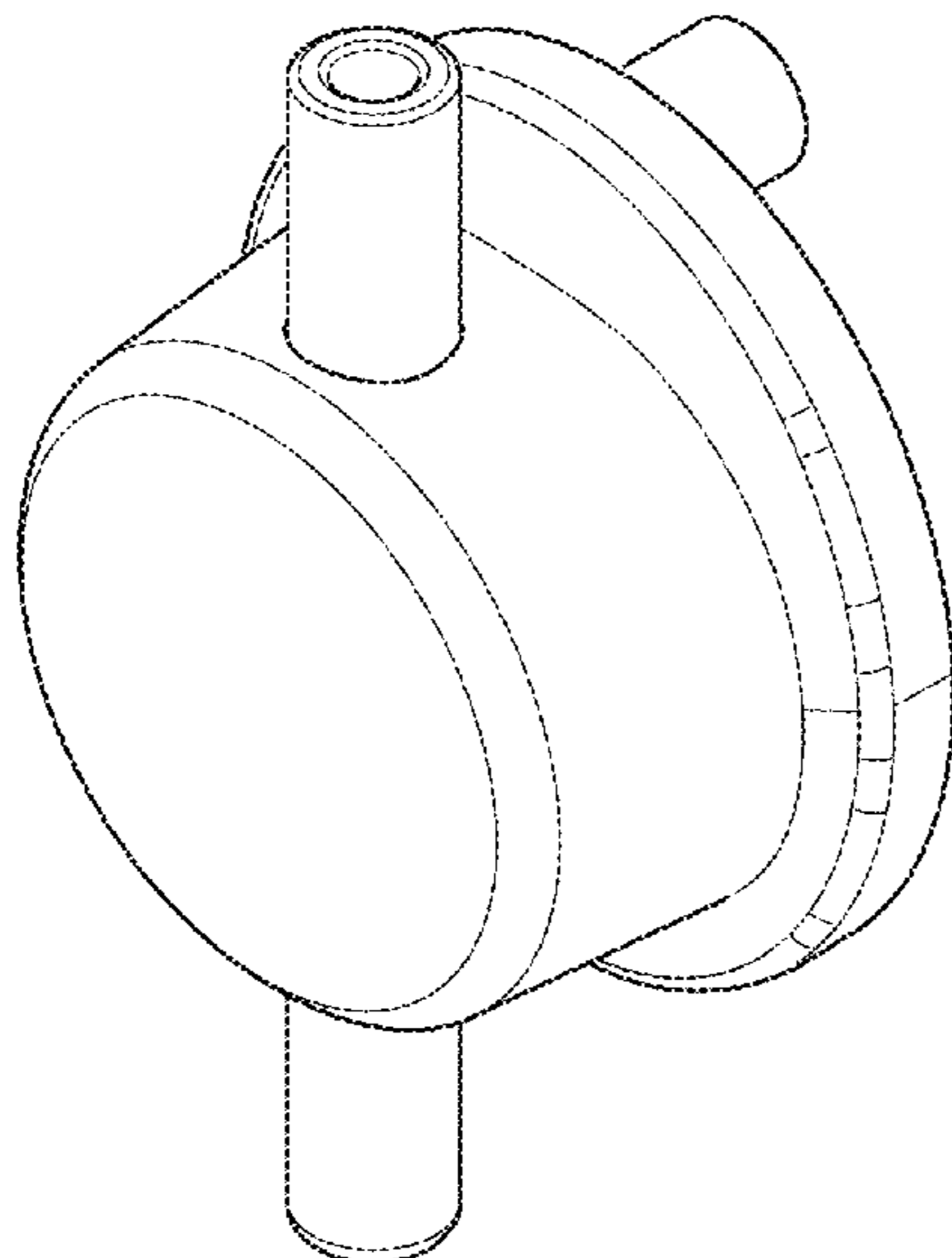
FIG. 1 is a front and right side perspective view showing our new design for a lug;
 FIG. 2 is a rear and right side view of the lug of FIG. 1;
 FIG. 3 is a top plan view of the lug of FIG. 1;
 FIG. 4 is a front view of the lug of FIG. 1;
 FIG. 5 is a bottom plan view of the lug of FIG. 1;
 FIG. 6 is a side view of the lug of FIG. 1, the opposite side being a mirror image thereof; and,
 FIG. 7 is a rear view of the lug of FIG. 1.
 The broken line showing represents portions of the article not claimed and forms no part of the claimed design.

(56) **References Cited**

U.S. PATENT DOCUMENTS

- 3,981,220 A 9/1976 Clark
- 4,158,980 A 6/1979 Gauger
- D270,167 S 8/1983 Hoey
- D310,538 S 9/1990 Yanagisawa
- D316,423 S 4/1991 Montineri
- D353,612 S 12/1994 Yanagisawa
- 5,377,576 A 1/1995 Good et al.
- 5,520,083 A 5/1996 Falkner, Jr.

1 Claim, 4 Drawing Sheets



(56)

References Cited

U.S. PATENT DOCUMENTS

D490,838 S	6/2004	Liao	
D492,342 S	6/2004	Kamijima et al.	
D497,935 S	11/2004	Kamijima et al.	
6,846,978 B2	1/2005	Dorfman et al.	
D516,116 S	2/2006	Webb	
D534,575 S	1/2007	Hsieh	
D564,012 S	3/2008	Montineri	
7,365,256 B2	4/2008	Takegawa	
D580,477 S	11/2008	Sikra et al.	
7,498,501 B1	3/2009	Hsieh	
7,501,567 B1	3/2009	Spinazzola	
7,700,864 B1	4/2010	Sikra	
7,745,712 B2	6/2010	Dunnett	
D621,869 S	8/2010	Rockett	
7,960,633 B1	6/2011	Chen	
7,977,558 B2	7/2011	Nakata et al.	
8,017,846 B2	9/2011	Miyajima et al.	
D648,775 S	11/2011	Rockett	
8,163,988 B2	4/2012	Holl et al.	
D679,744 S	4/2013	Hudson	
D703,261 S	4/2014	Hudson	
8,791,348 B2 *	7/2014	Yu	G10D 13/025 84/411 R
D720,390 S	12/2014	Hudson	
2006/0266198 A1 *	11/2006	Jeffries	G10D 13/025 84/417

2007/0131087 A1 *	6/2007	Chen	G01D 13/023 84/411 R
2009/0173210 A1 *	7/2009	Yamamoto	G10D 13/023 84/413
2009/0282964 A1 *	11/2009	Ito	G10D 13/023 84/413

OTHER PUBLICATIONS

U.S. Trademark Registration No. 2,150,216, registered Apr. 14, 1998.

Early 1970s Camco Aristocrat Snare Drum. Retrieved from the Internet: <URL: http://www.classicvintagedrums.com/index.php?main_page=product_info&cPath=66_111&products_id=627> Publicly available before May 25, 2010.

Dixon Wooden Snare Drum. Retrieved from the Internet: <URL: <http://www.italmelodie.com/?section=item&itemID=148>>. Publicly available before May 25, 2010.

Mapex Drum. Retrieved from the Internet: <URL: <http://www.musicgearreview.com/article-display/1031.html>>. Publicly available before May 25, 2010.

Premier Genista Snare Drum. Retrieved from the Internet: <URL: <http://www.vintageolympic.co.uk/images/mysteries/Rare%20BSP%20Genistra%20snare.jpg>>. Publicly available before May 25, 2010.

DW Drums Collector's Series. Retrieved from the Internet: <URL: <http://www.dwdrums.com/drums/collectors/>>. Publicly available before May 25, 2010.

File history for U.S. Trademark registration No. 2,150,216, publicly available before Oct. 16, 2010.

* cited by examiner

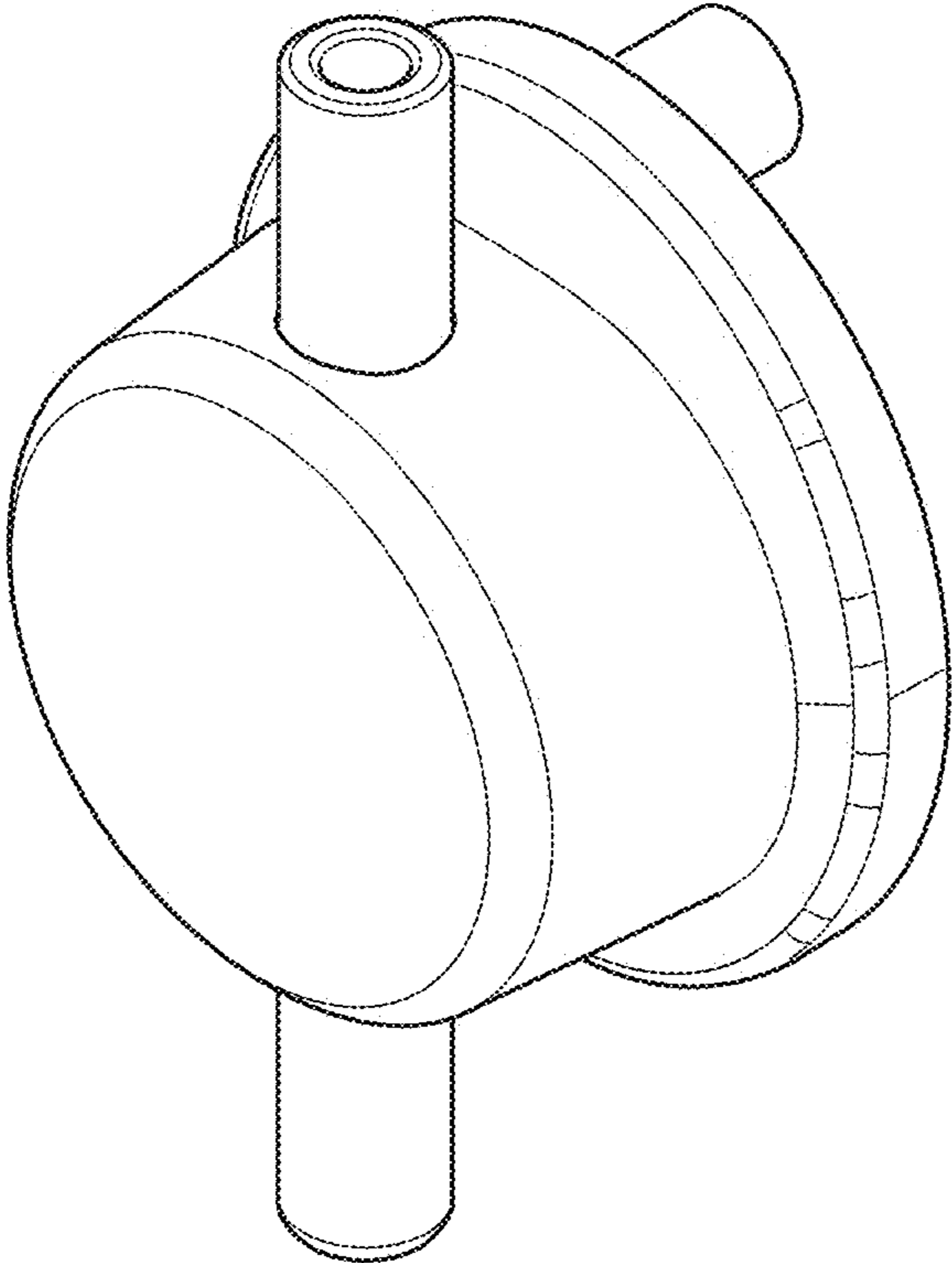


FIG. 1

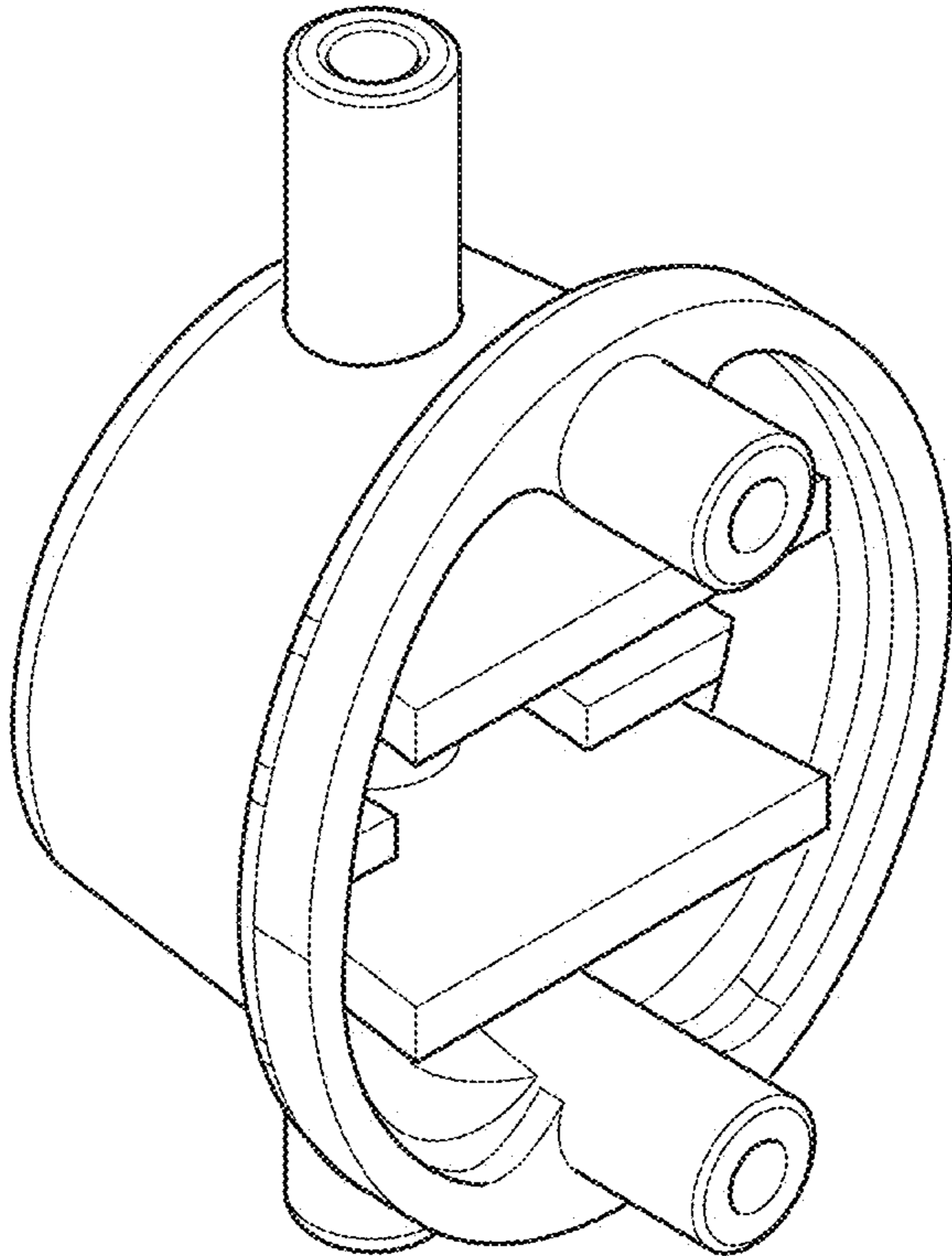


FIG. 2

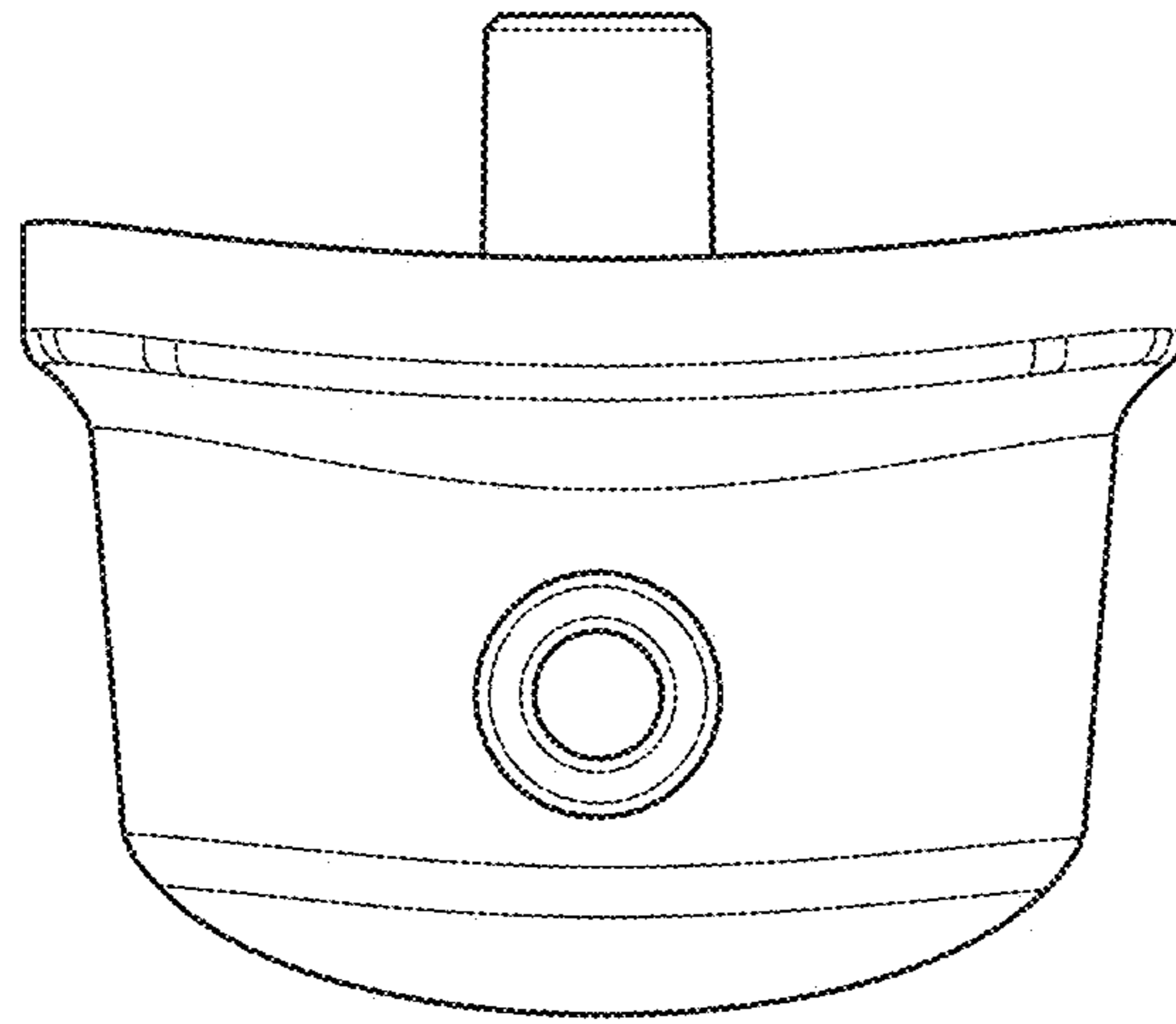


FIG. 3

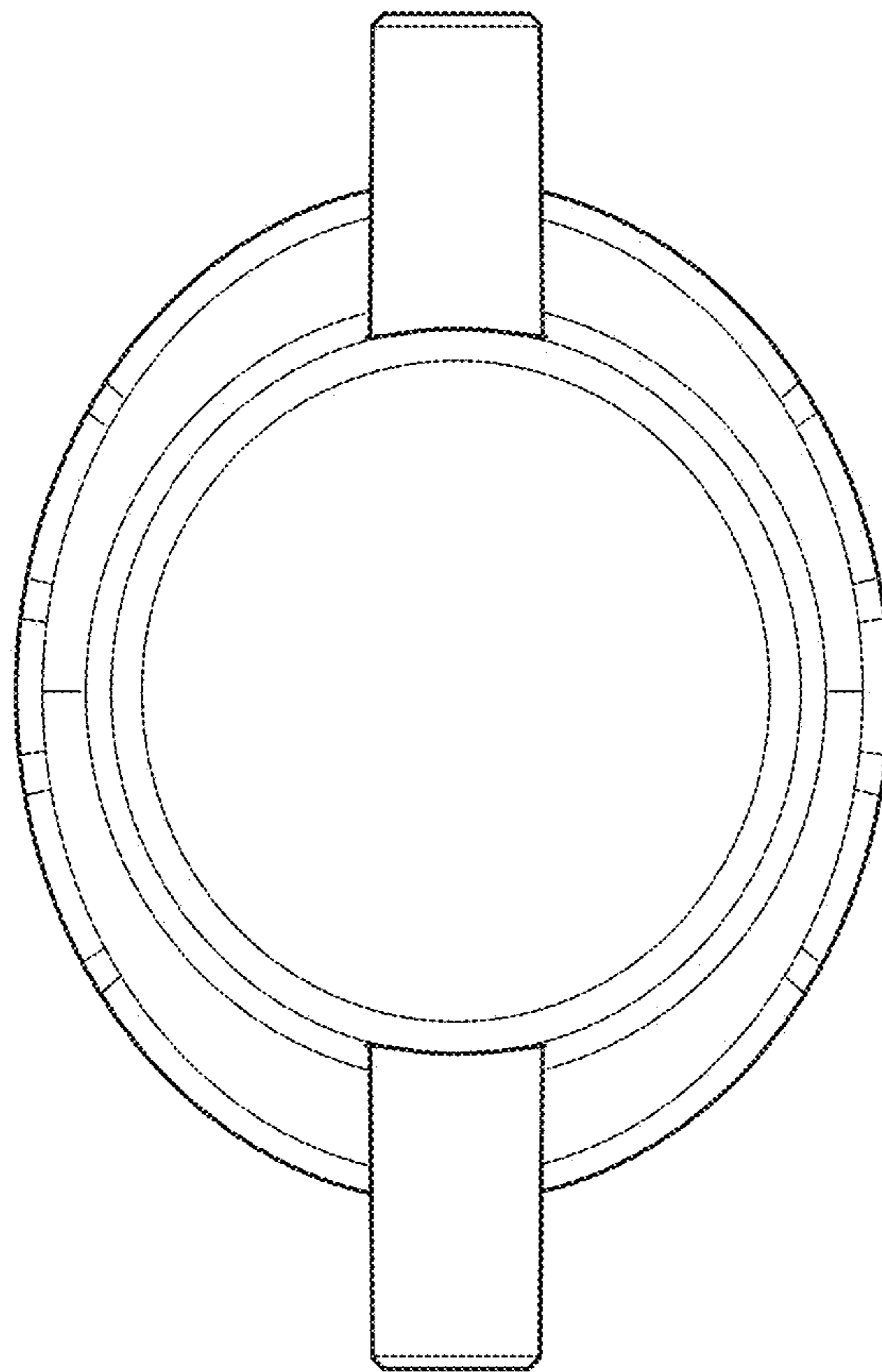


FIG. 4

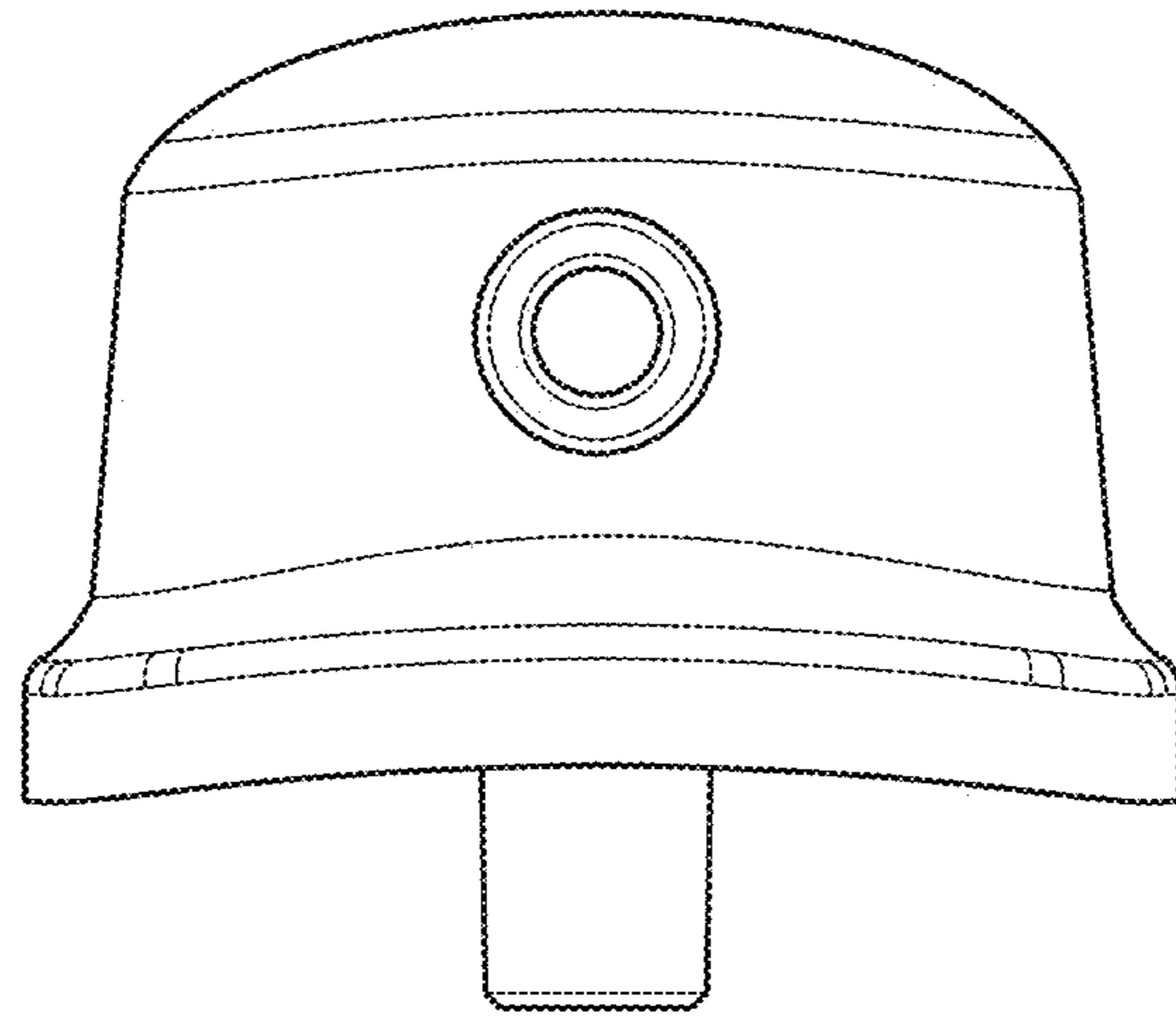


FIG. 5

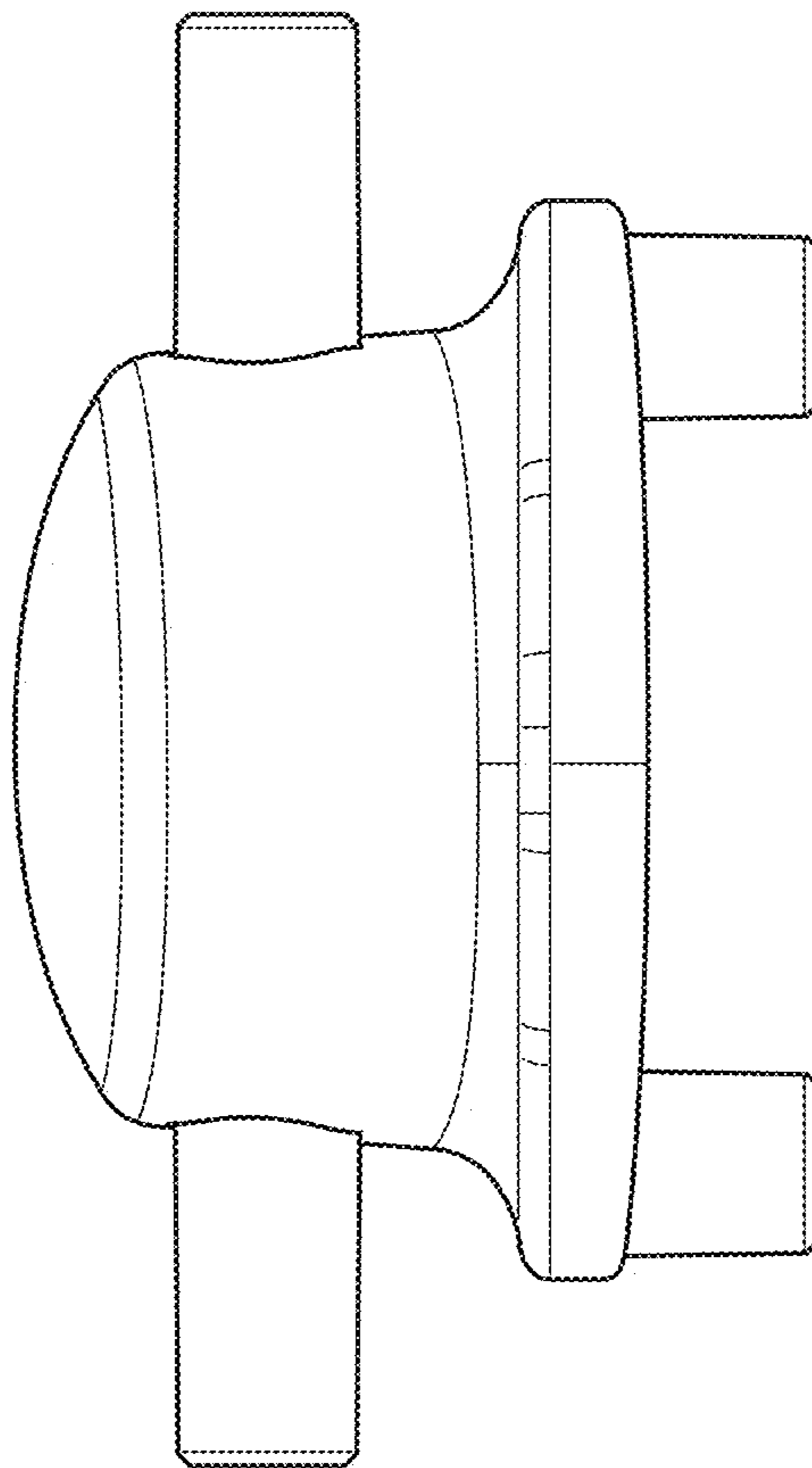


FIG. 6

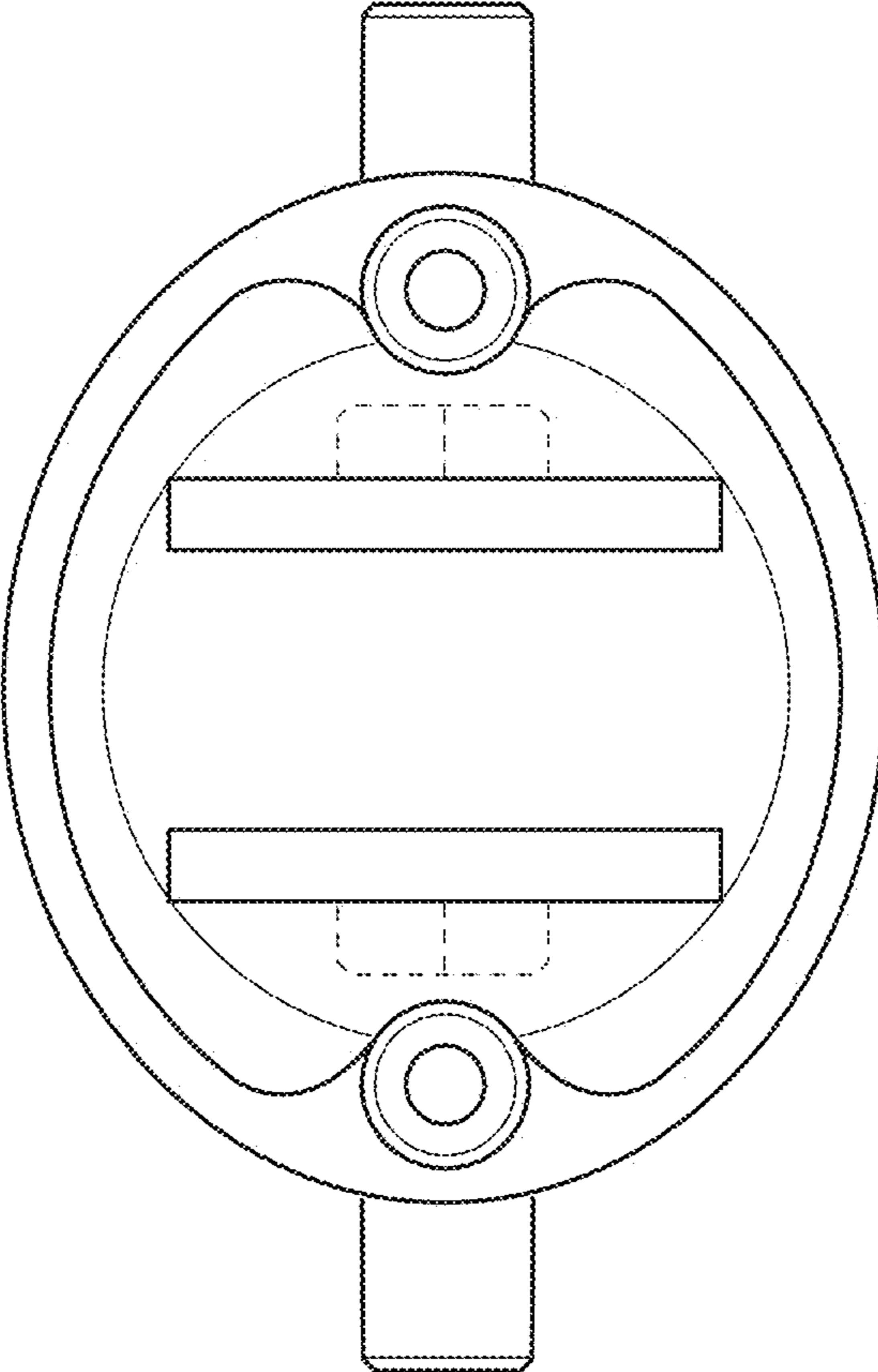


FIG. 7