



US00D758478S

(12) **United States Design Patent**
Normand

(10) **Patent No.:** **US D758,478 S**
(45) **Date of Patent:** **** Jun. 7, 2016**

- (54) **PERCUSSION INSTRUMENT**
- (71) Applicant: **Gaudry Normand**, Bonsecours (CA)
- (72) Inventor: **Gaudry Normand**, Bonsecours (CA)
- (**) Term: **14 Years**
- (21) Appl. No.: **29/442,857**
- (22) Filed: **May 30, 2013**
- (30) **Foreign Application Priority Data**

4,669,353	A *	6/1987	Kvistad	84/403
4,885,972	A *	12/1989	Chen	84/403
4,909,124	A *	3/1990	Chang	84/403
5,159,138	A *	10/1992	Kleinhans	84/403
2015/0013523	A1 *	1/2015	Normand	84/404

FOREIGN PATENT DOCUMENTS

GB	632863	A *	12/1949	G10D 13/08
GB	2288482	A *	10/1995	G10D 13/08
GB	2484558	A *	4/2012	G10D 13/08
WO	WO 2013093588	A1 *	6/2013	G10D 13/08

OTHER PUBLICATIONS

Xylophones & Glockenspiels, Percussion, Musical Instruments, image post date Unknown, site visited Apr. 16, 2015 (online), <<http://uk.picclick.com/Musical-Instruments/Percussion/Xylophones-Glockenspiels/?page=2>>.*

Schlagwerk Table Tubes, image post date Unknown, site visited Apr. 16, 2015 (online), <http://www.soundtravels.co.uk/p-Schlagwerk_Table_Tubes-2852.aspx>.*

* cited by examiner

Primary Examiner — Sheryl Lane

Assistant Examiner — Ieisha Price

(74) *Attorney, Agent, or Firm* — Eric Fincham

- Dec. 21, 2012 (CA) 149170
- (51) **LOC (10) Cl.** **17-04**
- (52) **U.S. Cl.**
USPC **D17/22**
- (58) **Field of Classification Search**
USPC D21/328, 333, 385, 400, 788, 811;
D17/13, 20, 22, 23, 24, 99
CPC G10D 13/00; G10D 13/08; G10C 3/12;
G10F 1/08; G10F 1/00
See application file for complete search history.

(56) **References Cited**

U.S. PATENT DOCUMENTS

521,662	A *	6/1894	Monneuse	84/403
1,024,878	A *	4/1912	Bartholomae	84/403
1,576,263	A *	3/1926	Bartholomae	84/403
1,595,359	A *	8/1926	Schluter	84/410
2,117,345	A *	5/1938	Miessner	84/403
2,247,461	A *	7/1941	Zimmerman	84/403
D130,337	S *	11/1941	Miller	D10/118
D134,776	S *	1/1943	Sas	D17/23
2,347,287	A *	4/1944	Sas	84/403
D141,682	S *	6/1945	Friedman	D17/23
D141,683	S *	6/1945	Friedman	D17/23
D148,291	S *	1/1948	Emanuel	D17/22
D148,856	S *	3/1948	Gruber	D17/23
2,458,193	A *	1/1949	Packheiser	84/403
2,458,462	A *	1/1949	Zimmerman	84/403
2,487,206	A *	11/1949	Zimmerman	84/403
2,499,113	A *	2/1950	Rowe	84/403
D175,525	S *	9/1955	Zimmerman	D17/23

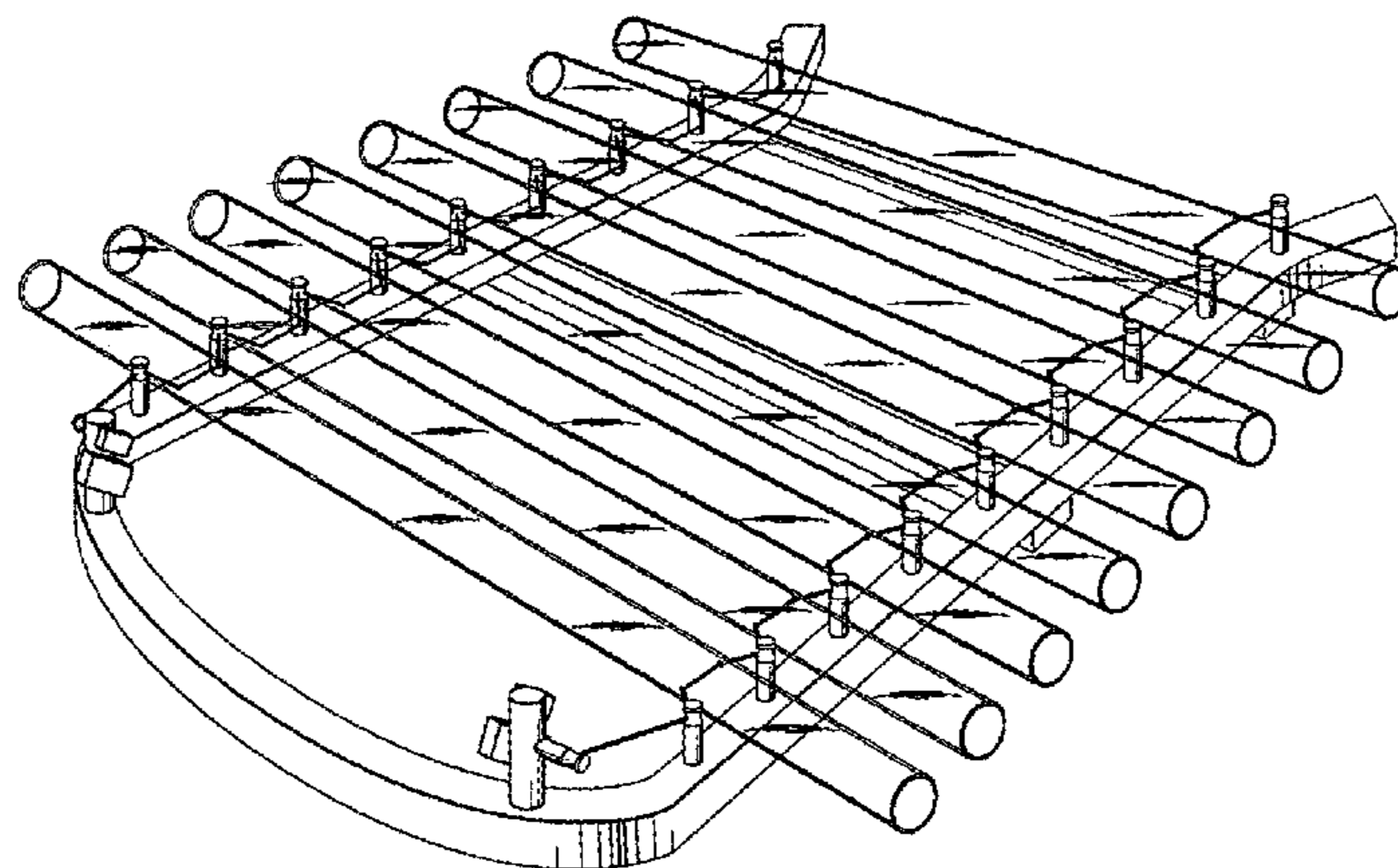
CLAIM

The ornamental design for a percussion instrument, as shown and described.

DESCRIPTION

FIG. 1 is a perspective view of the percussion instrument; FIG. 2 is a front view thereof; FIG. 3 is a top plan view thereof; FIG. 4 is a rear view thereof; FIG. 5 is a side view thereof; and, FIG. 6 is a right side view thereof. The tubular elements of the claimed design are understood to be transparent.

1 Claim, 2 Drawing Sheets



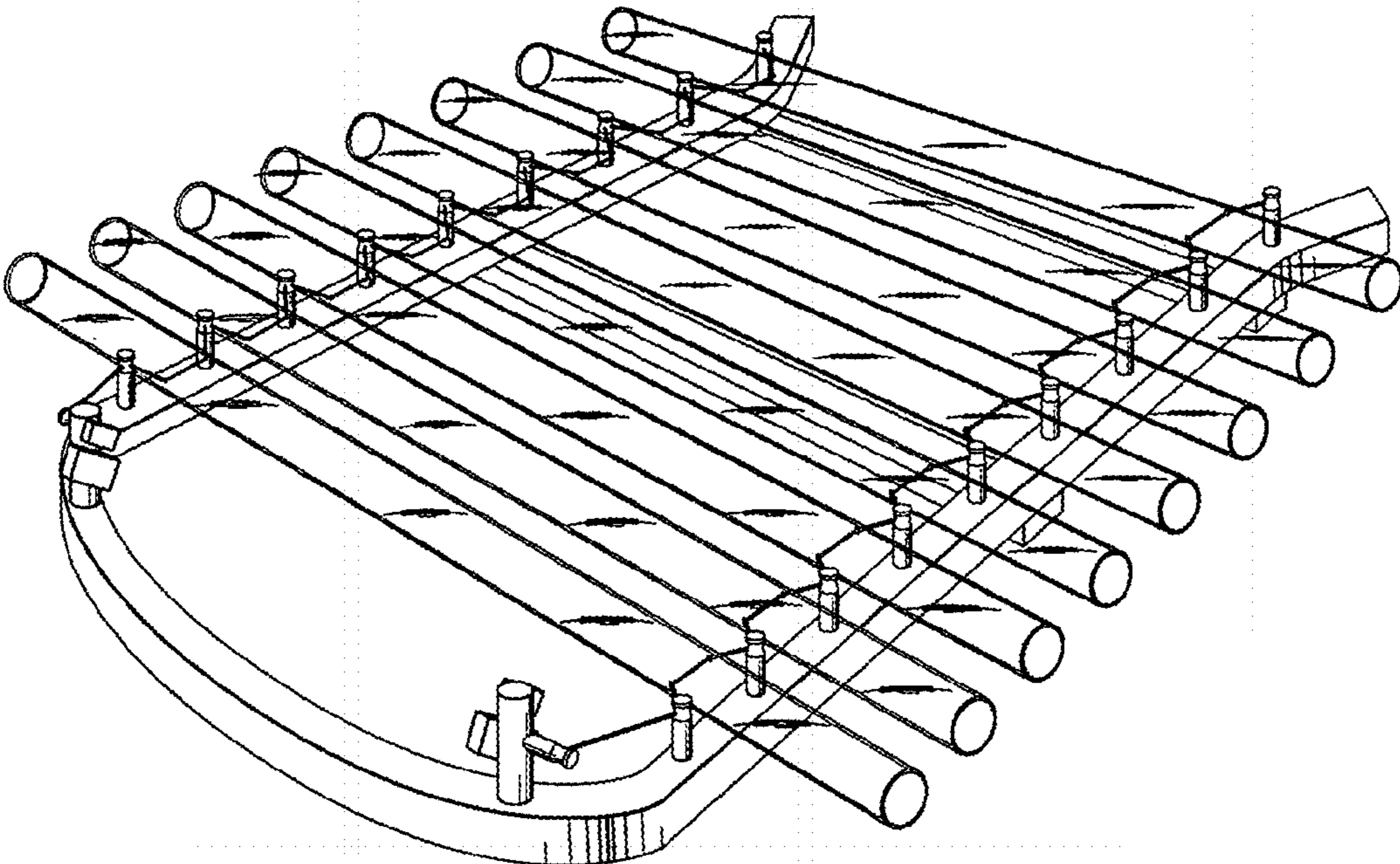


FIG. 1

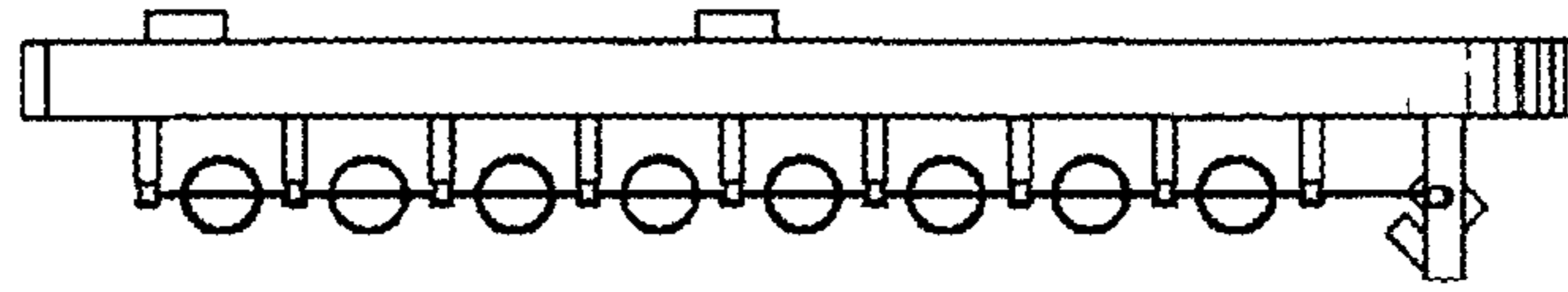


FIG. 5

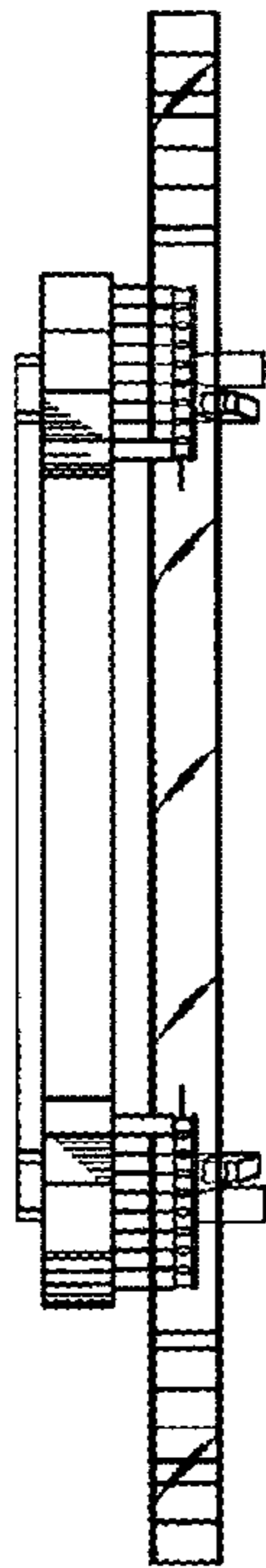


FIG. 2

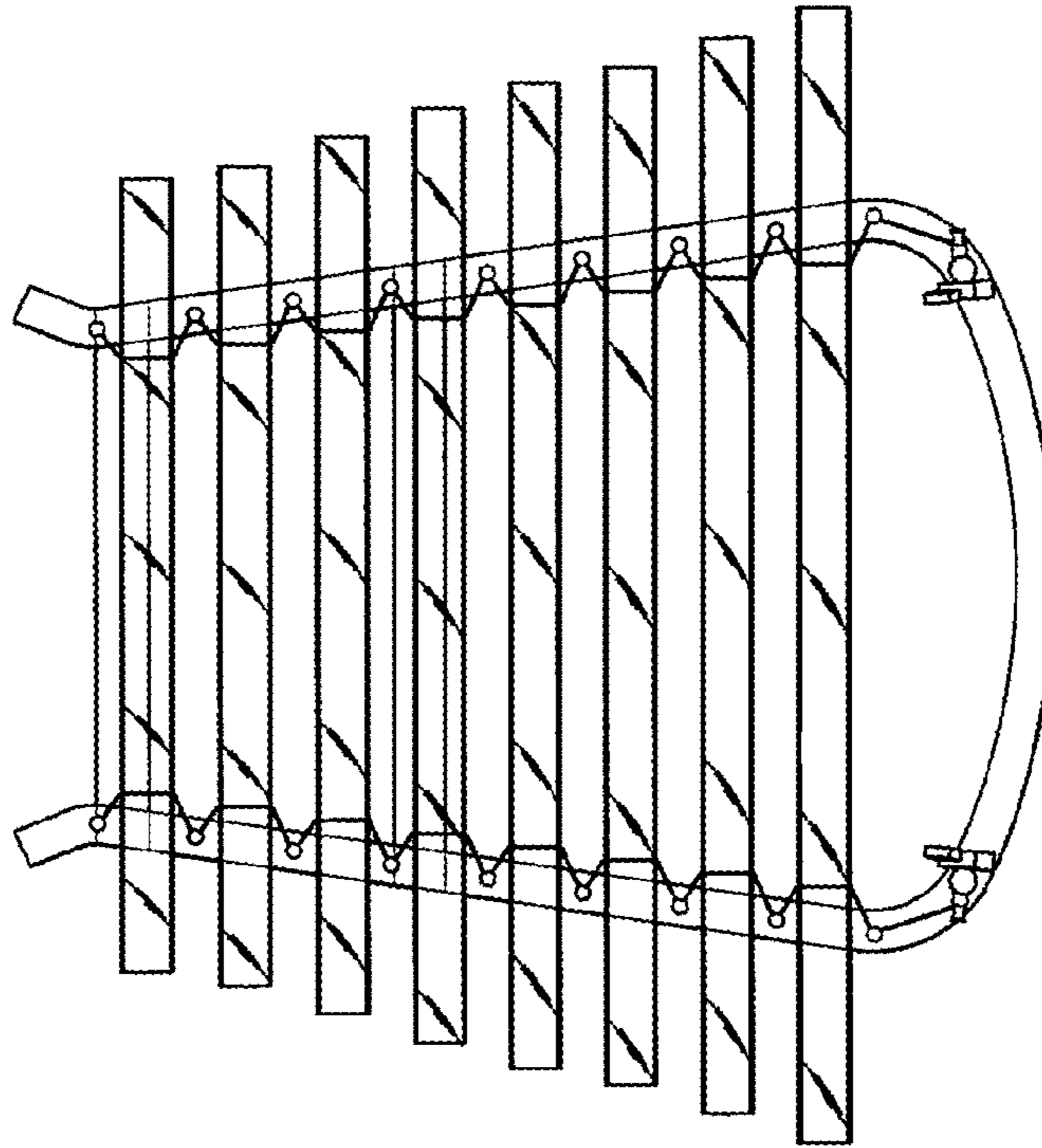


FIG. 3

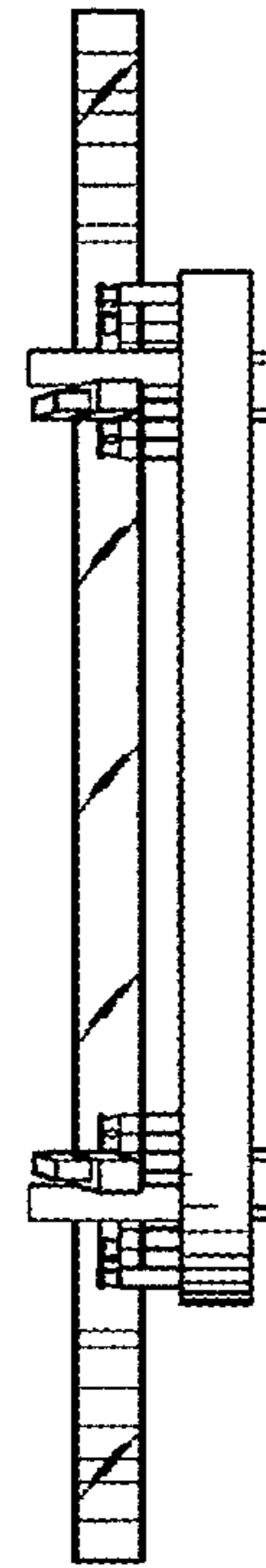


FIG. 4

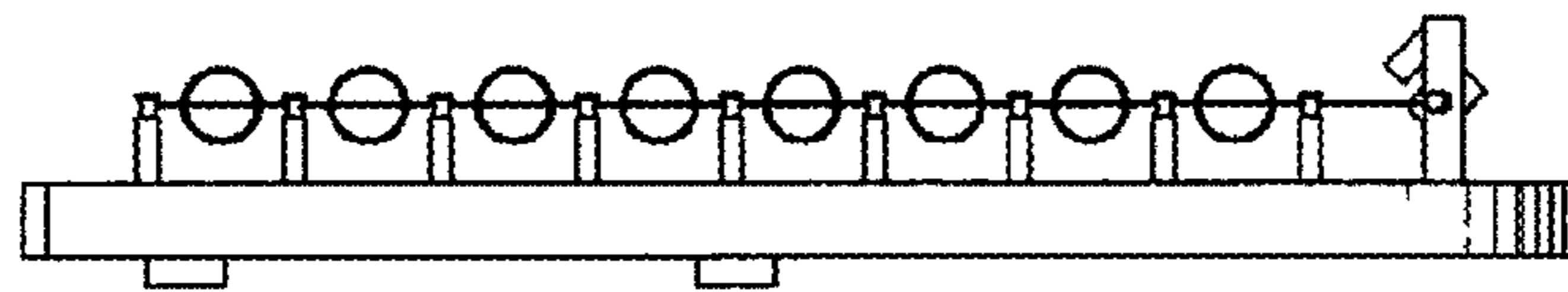


FIG. 6