



US00D758476S

(12) **United States Design Patent**
Ho

(10) **Patent No.:** **US D758,476 S**
(45) **Date of Patent:** **** Jun. 7, 2016**

(54) **CLIP-ON LENS CARRIER FOR SMART EYEWEAR**

(71) Applicant: **Patrick C. Ho**, Hilton, NY (US)

(72) Inventor: **Patrick C. Ho**, Hilton, NY (US)

(73) Assignee: **Alpha Primitus, Inc.** (VG)

(**) Term: **14 Years**

(21) Appl. No.: **29/513,464**

(22) Filed: **Dec. 31, 2014**

(51) **LOC (10) Cl.** **16-06**

(52) **U.S. Cl.**
USPC **D16/315; D16/328**

(58) **Field of Classification Search**
USPC D16/101, 300-342, 900, 136; D29/109, D29/110, 6, 9; D24/110.2; 351/41-158; 2/426-437, 441, 447, 448, 449, 15, 2/247, 248, 13, 10, 209; D21/483, 659, D21/660, 661; D2/866, 872, 873, 876, 879, D2/882; D14/372
CPC G02C 1/00; G02C 1/02; G02C 1/023; G02C 1/026; G02C 1/04; G02C 1/06; G02C 1/08; G02C 1/10; G02C 3/00; G02C 3/003; G02C 3/006; G02C 3/02; G02C 3/04; G02C 5/12; G02C 5/122; G02C 5/124; G02C 5/126; G02C 9/00; G02C 9/04; G02C 2200/06; G02C 2200/08; G02C 2200/18; G02C 11/02; G02C 11/04; G01C 5/16; A61M 2021/0044; A63B 33/002

See application file for complete search history.

(56) **References Cited**

U.S. PATENT DOCUMENTS

D147,153	S	*	7/1947	Splaine	D16/315
D197,418	S	*	1/1964	Lissac	351/106
D221,480	S	*	8/1971	Tagnon	D16/315
D381,036	S	*	7/1997	Kimura	D16/315
5,880,808	A	*	3/1999	Devercelli	G02C 1/02 351/124
D541,324	S	*	4/2007	Yip	D16/135
D568,372	S	*	5/2008	Shapiro	D16/330
D662,966	S	*	7/2012	Jeon	D16/309
D747,759	S	*	1/2016	Ho	D16/101
2005/0157252	A1	*	7/2005	Xie	G02C 9/00 351/124
2007/0052919	A1	*	3/2007	Antognazza	G02C 9/00 351/57
2009/0296041	A1	*	12/2009	Yoshida	G02C 5/00 351/47

* cited by examiner

Primary Examiner — Susan Moon Lee

(74) *Attorney, Agent, or Firm* — Joseph M. Noto; Bond, Schoeneck & King PLLC

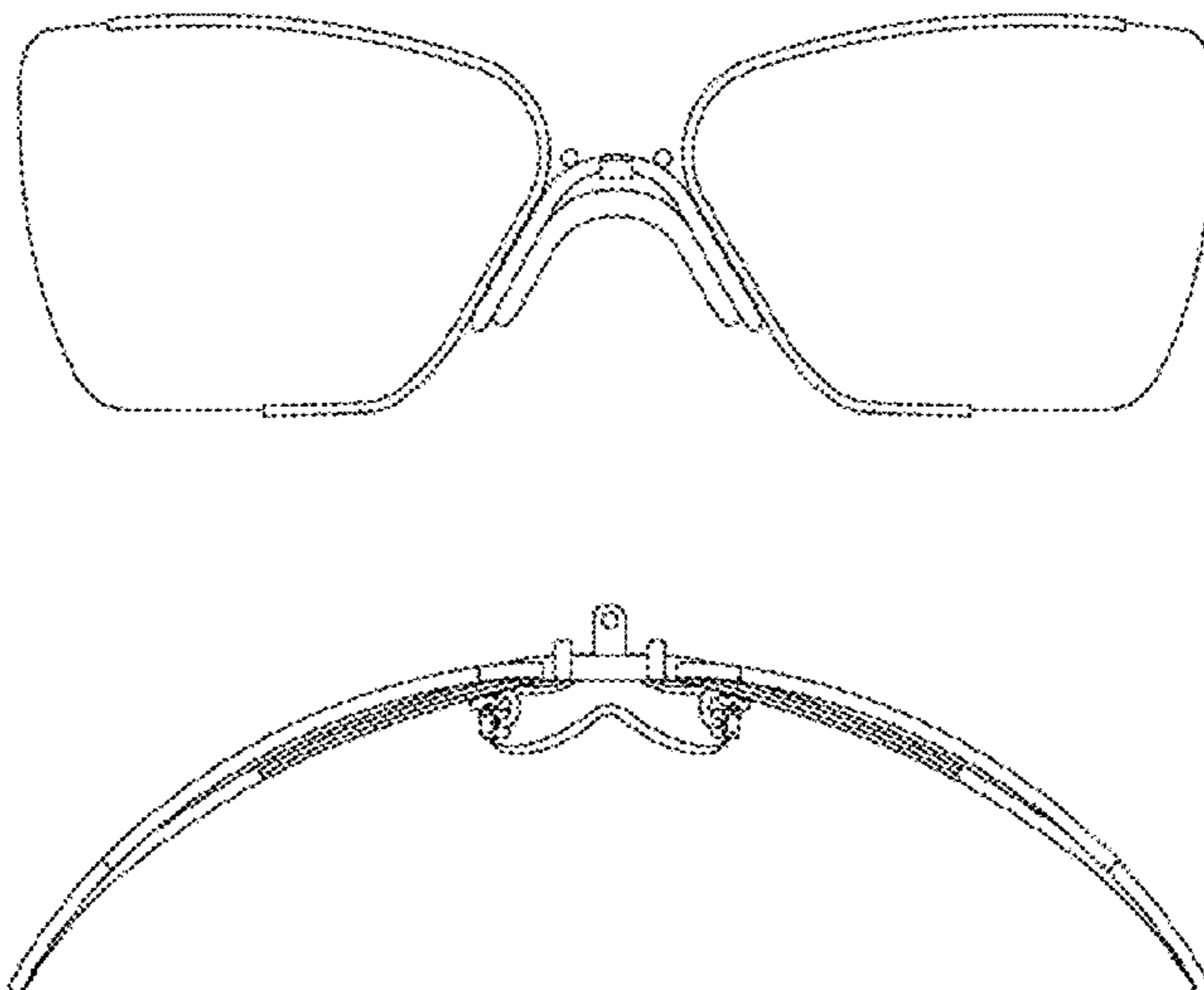
(57) **CLAIM**

The ornamental design for a clip-on lens carrier for smart eyewear, as shown and described.

DESCRIPTION

FIG. 1 is a front elevational view of a clip-on lens carrier for smart eyewear for the new design;
FIG. 2 is a rear elevational view thereof;
FIG. 3 is a side elevational view, wherein the other side is a minor image thereof;
FIG. 4 is a bottom plan view thereof;
FIG. 5 is a top plan view thereof;
FIG. 6 is a front perspective view thereof; and,
FIG. 7 is a rear perspective view thereof.

1 Claim, 7 Drawing Sheets



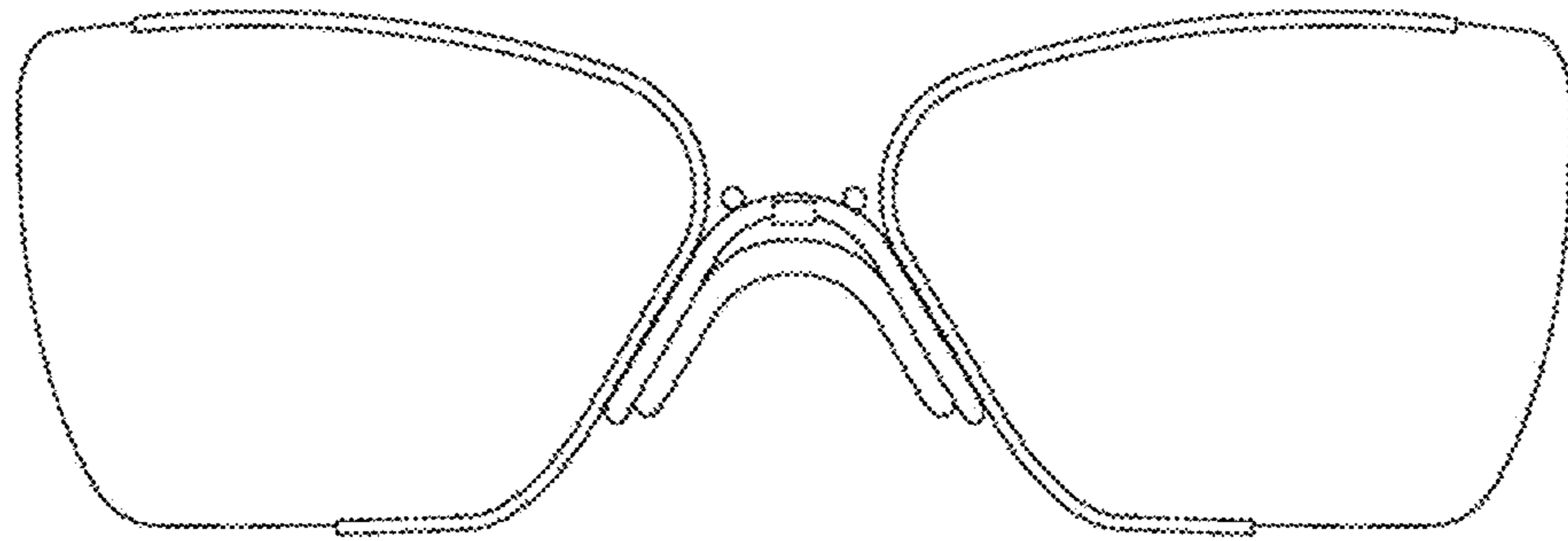


Fig. 1

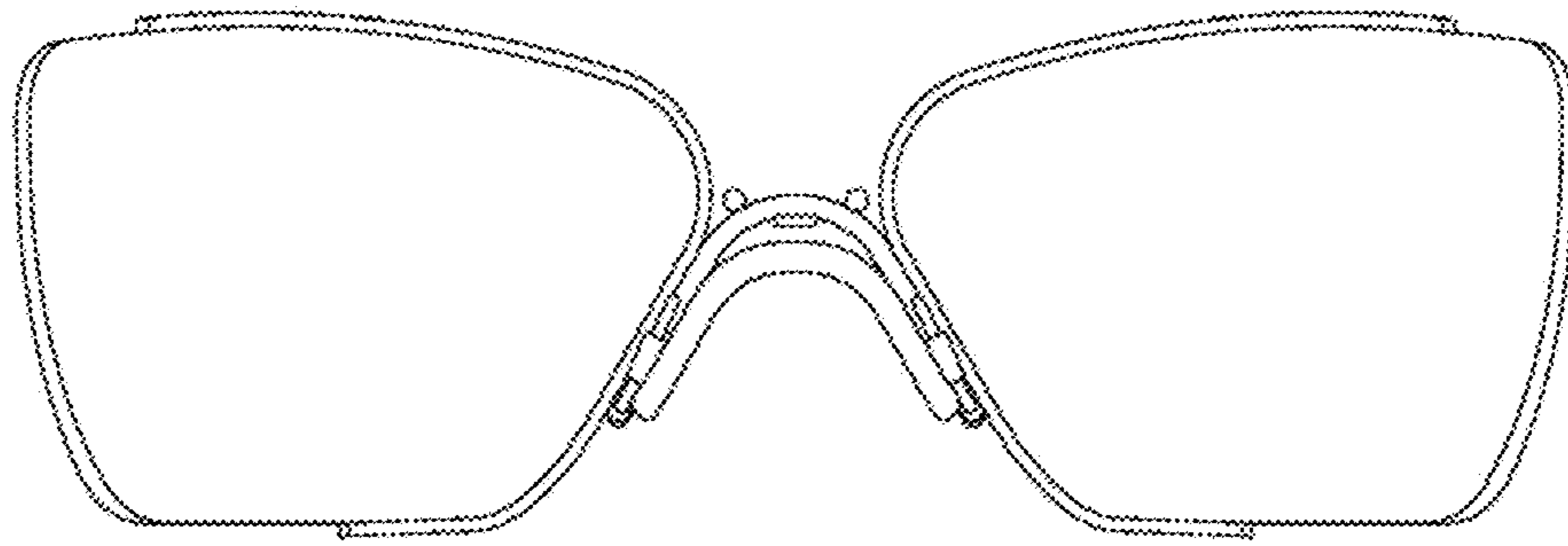


Fig. 2

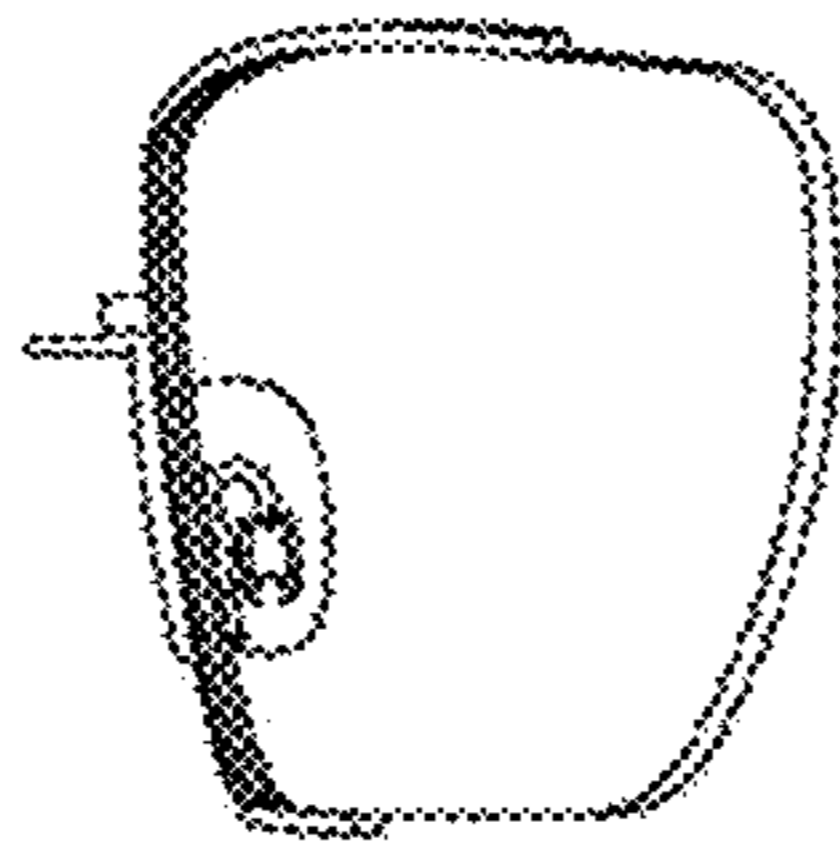


Fig. 3

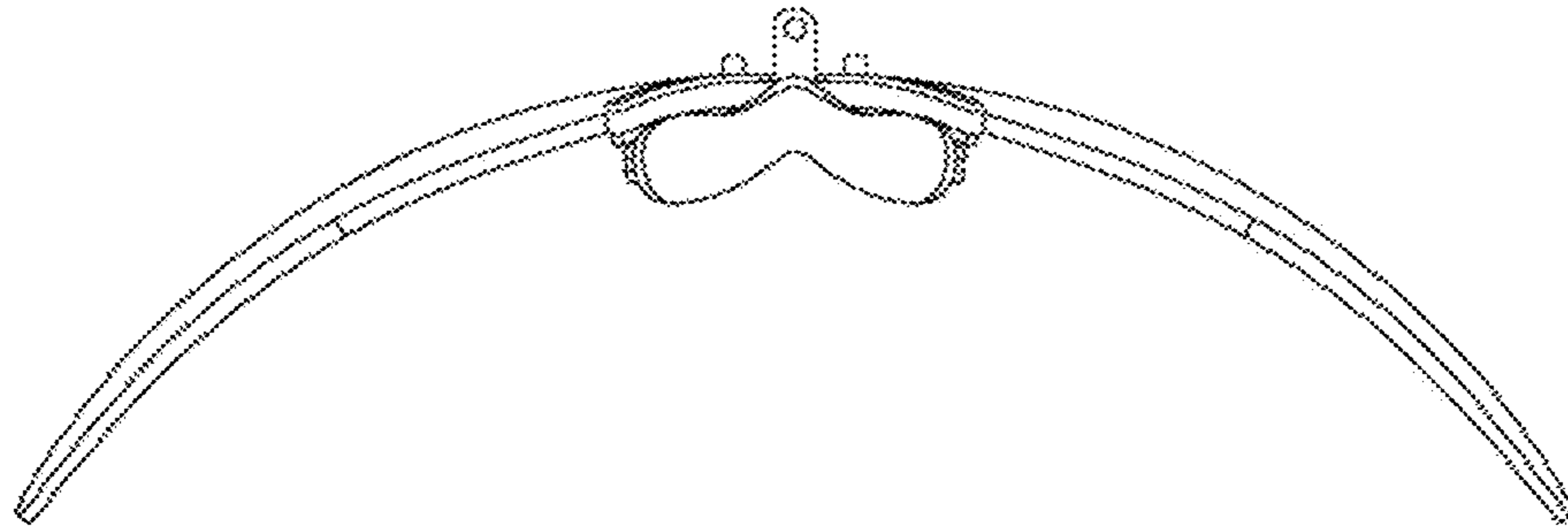


Fig. 4

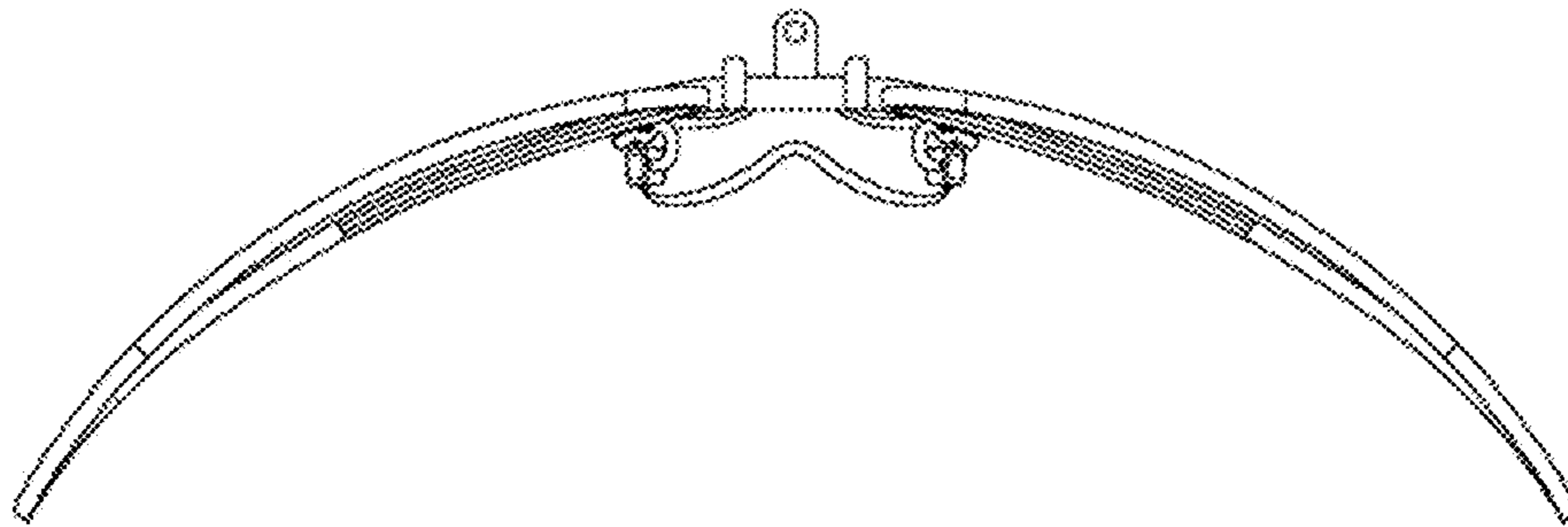


Fig. 5

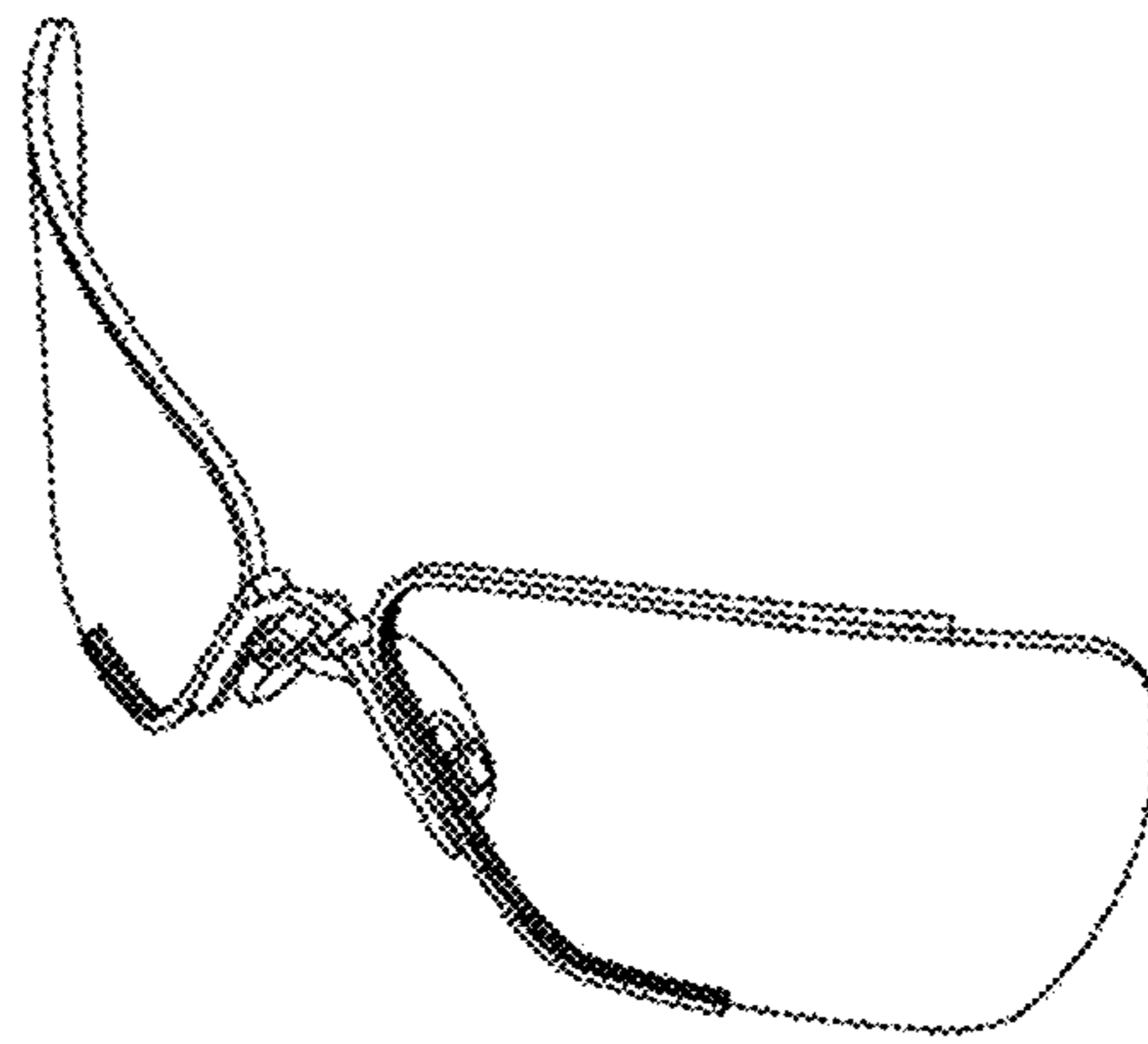


Fig. 6

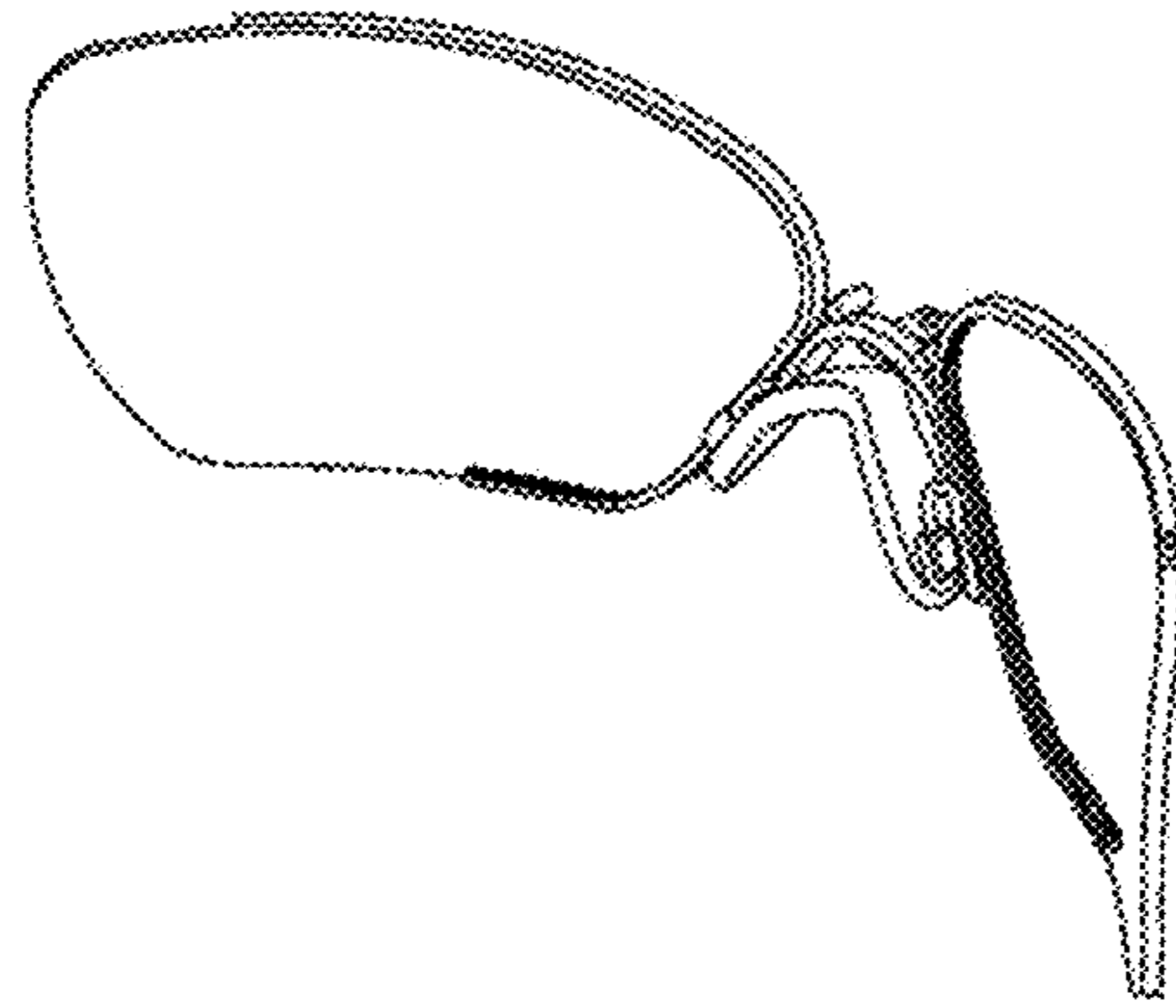


Fig. 7

UNITED STATES PATENT AND TRADEMARK OFFICE
CERTIFICATE OF CORRECTION

PATENT NO. : D758,476 S
APPLICATION NO. : 29/513464
DATED : June 7, 2016
INVENTOR(S) : Patrick C. Ho

Page 1 of 1

It is certified that error appears in the above-identified patent and that said Letters Patent is hereby corrected as shown below:

On the title page item description

The DESCRIPTION of FIG. 3 should read -- FIG. 3 is a side elevational view, wherein the other side is a mirror image thereof; --

Signed and Sealed this
Eleventh Day of October, 2016



Michelle K. Lee
Director of the United States Patent and Trademark Office