



US00D758474S

(12) **United States Design Patent**  
**Harrison et al.**

(10) **Patent No.:** **US D758,474 S**  
(45) **Date of Patent:** **\*\* Jun. 7, 2016**

(54) **CAMERA MOUNT**  
(71) Applicant: **GoPro, Inc.**, San Mateo, CA (US)  
(72) Inventors: **Ryan Harrison**, El Granada, CA (US);  
**Mark Costa**, Menlo Park, CA (US);  
**Seungheon Lee**, Cupertino, CA (US);  
**Richard Gioscia**, Santa Clara, CA (US);  
**Soyun Kim**, Seoul (KR); **Matthew D. Thomas**, Castro Valley, CA (US);  
**Danilo Bueno**, Burlingame, CA (US)

5,092,552 A \* 3/1992 Dayton ..... F16C 11/0661  
248/181.1  
5,103,384 A 4/1992 Drohan  
D328,088 S \* 7/1992 Horino ..... D16/239  
5,397,268 A 3/1995 Chang et al.  
5,398,176 A 3/1995 Ahuja  
5,400,234 A 3/1995 Yu  
5,435,045 A 7/1995 Anscher  
5,449,206 A 9/1995 Lockwood  
5,702,175 A 12/1997 Chen

(Continued)

FOREIGN PATENT DOCUMENTS

(73) Assignee: **GoPro, Inc.**, San Mateo, CA (US)

DE 19520502 12/1996  
JP 3083660 2/2002

(\*\*) Term: **14 Years**

OTHER PUBLICATIONS

(21) Appl. No.: **29/526,262**

The Jam (Adjustable Music Mount). [online] Retrieved Jan. 5, 2016  
from URL: <<http://shop.gopro.com/mounts/thejamadjustablemusicmount/AMCLP001.html#/start=1>>.\*

(22) Filed: **May 7, 2015**

(51) **LOC (10) Cl.** ..... **16-05**

(52) **U.S. Cl.**

USPC ..... **D16/242**

(58) **Field of Classification Search**

USPC ..... D16/134, 136, 208, 213–219, 235,  
D16/237–245, 250; D14/203.4, 218, 224,  
D14/250–253, 345, 440, 449; D8/363, 373,  
D8/394

CPC ..... G03B 17/02–17/04; G03B 17/14;  
G03B 17/56; G03B 17/561–17/568; G03B  
21/20–21/2066; G03B 15/041–15/0436;  
G02B 7/02–7/04; G02B 7/14; H04N  
5/2251–5/2554; F16M 11/02; F16M 11/20;  
F16M 11/40

See application file for complete search history.

(Continued)

*Primary Examiner* — Susan Bennett Hattan

*Assistant Examiner* — Vy Koenig

(74) *Attorney, Agent, or Firm* — Fenwick & West LLP

(57)

**CLAIM**

The ornamental design for a camera mount, as shown and described.

**DESCRIPTION**

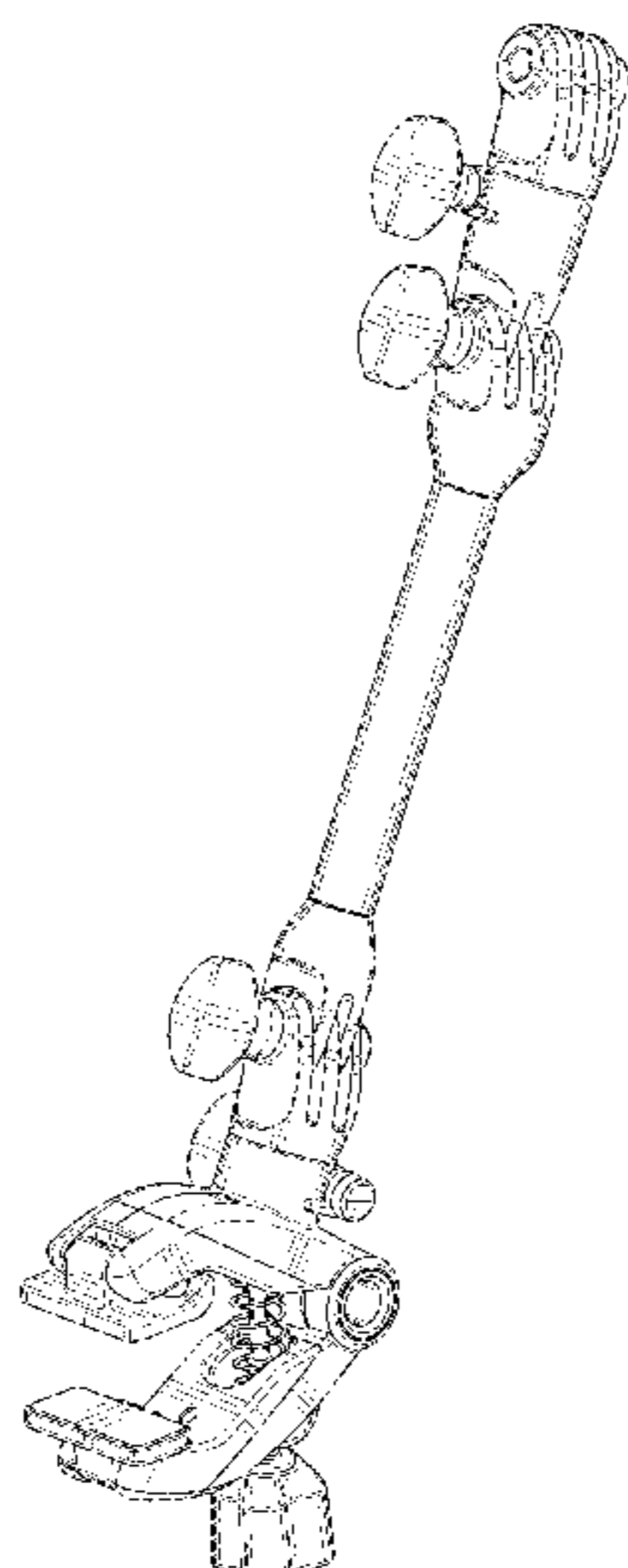
FIG. 1 is a front, top, and right side perspective view of a camera mount;  
FIG. 2 is a rear, bottom, and left side perspective view thereof;  
FIG. 3 is a left side elevational view thereof;  
FIG. 4 is a right side elevational view thereof;  
FIG. 5 is a rear elevational view thereof;  
FIG. 6 is a front elevational view thereof;  
FIG. 7 is a top plan view thereof; and,  
FIG. 8 is a bottom plan view thereof.

**1 Claim, 8 Drawing Sheets**

(56) **References Cited**

U.S. PATENT DOCUMENTS

3,084,409 A 4/1963 Griffiths  
3,757,363 A 9/1973 Langlais  
4,733,259 A 3/1988 Ng  
4,741,283 A 5/1988 Conner  
5,033,528 A 7/1991 Volcani



(56)

References Cited

U.S. PATENT DOCUMENTS

D394,669 S \* 5/1998 Becker ..... 224/908  
 5,791,210 A 8/1998 Wolff et al.  
 5,847,883 A 12/1998 Rispoli, Sr.  
 D405,457 S 2/1999 Kawashima  
 D411,220 S \* 6/1999 Surabian ..... 224/908  
 6,142,437 A \* 11/2000 Wilkins, Jr. .... B60R 11/04  
 248/228.6  
 D442,047 S 5/2001 Hicks  
 6,244,759 B1 \* 6/2001 Russo ..... F16M 11/40  
 352/243  
 6,357,710 B1 3/2002 Fielden et al.  
 6,581,889 B2 6/2003 Carpenter et al.  
 6,626,210 B2 9/2003 Luetngen et al.  
 6,681,971 B2 1/2004 Laverack et al.  
 6,705,578 B2 \* 3/2004 Mulford ..... A01M 31/02  
 248/187.1  
 6,799,356 B2 10/2004 Sanchez  
 6,840,485 B2 1/2005 Richter  
 6,842,951 B1 1/2005 Barre et al.  
 6,847,394 B1 1/2005 Hansen et al.  
 D502,956 S \* 3/2005 Holmes ..... 396/428  
 6,983,930 B1 1/2006 La Mendola et al.  
 D515,613 S \* 2/2006 Holmes ..... 396/428  
 7,120,461 B2 10/2006 Cho  
 7,128,297 B2 10/2006 Lee  
 7,422,184 B2 9/2008 Carnevali  
 7,533,906 B2 5/2009 Luetngen et al.  
 7,766,313 B2 8/2010 Panosian  
 7,798,452 B1 9/2010 Wessells et al.  
 7,861,985 B2 1/2011 Galvin  
 7,891,615 B2 2/2011 Bevirt  
 7,926,774 B1 4/2011 Wilson  
 8,014,656 B2 9/2011 Woodman  
 D665,007 S \* 8/2012 Gooch ..... F16M 11/12  
 D16/242  
 8,297,566 B2 10/2012 Bevirt  
 D670,284 S \* 11/2012 Choi ..... D14/253  
 8,602,662 B1 12/2013 Mans  
 8,727,290 B1 5/2014 De La Matta et al.  
 8,740,160 B2 6/2014 Bevirt  
 8,857,775 B1 10/2014 Clearman et al.  
 9,074,721 B2 \* 7/2015 Lau ..... F16M 13/02  
 D746,353 S \* 12/2015 Woodman ..... D16/242  
 2004/0089778 A1 5/2004 Valentine et al.  
 2004/0163216 A1 8/2004 Simonson et al.  
 2004/0211868 A1 10/2004 Holmes et al.  
 2004/0223752 A1 11/2004 Ghanouni et al.  
 2005/0196163 A1 \* 9/2005 Mootz ..... F16M 11/04  
 396/428  
 2006/0257137 A1 11/2006 Fromm  
 2008/0093516 A1 4/2008 Bevirt  
 2008/0117328 A1 5/2008 Daoud et al.  
 2008/0248703 A1 10/2008 Russell  
 2008/0283697 A1 11/2008 Darrow  
 2010/0061711 A1 3/2010 Woodman  
 2010/0078536 A1 4/2010 Galvin  
 2010/0171007 A1 7/2010 Doll et al.  
 2010/0171009 A1 7/2010 Lin  
 2010/0220992 A1 9/2010 Bevirt  
 2011/0031359 A1 2/2011 Lu  
 2011/0042530 A1 2/2011 Phillips et al.  
 2011/0129210 A1 6/2011 McGucken  
 2011/0192951 A1 8/2011 Gooch  
 2013/0186310 A1 7/2013 Lymberis  
 2013/0221169 A1 8/2013 Gooch  
 2015/0316837 A1 \* 11/2015 Maltese ..... G03B 17/561  
 294/139

OTHER PUBLICATIONS

PCT International Search Report and Written Opinion for PCT/  
 US2014/046551, Aug. 28, 2014, 10 Pages.  
 PCT International Search Report and Written Opinion for PCT/  
 US2014/058465, Dec. 23, 2014, 17 pages.

Custom Photo Manufacturing, Inc., "Light Support," Last Modified  
 Jan. 2, 2007, 12 Pages, [Archived on Web.Archive.org], Can be  
 retrieved from <URL:https://web.archive.org/web/  
 20070627225605/http://www.cpmdelta1.com/light\_support.htm>.  
 Pashnit.Com, "GoPro Idea: Creative Mounting Idea for Your  
 GoPro!," 13 Pages, [Archived on Web.Archive.Org on Feb. 15, 2010]  
 [online] Retrieved from the internet <URL:http://web.archive.org/  
 web/20100215200233/http://www.pashnit.com/product/gopro/  
 gopro\_mounting.html>.  
 Photojojo, "3 Tricks to Turn a Spring Clamp Into Your Best Photo  
 Accessory;" [PDF Version] Aug. 6, 2009, 4 Pages, Can be retrieved at  
 <URL:http://content.photojojo.com/tips/spring-clamp-diy-camera-  
 mount/>.  
 Photojojo, "3 Tricks to Turn a Spring Clamp Into Your Best Photo  
 Accessory;" [HTML Version] Aug. 6, 2009, 3 Pages.  
 Photojojo, "3 Tricks to Turn a Spring Clamp Into Your Best Photo  
 Accessory;" [PDF Version] Aug. 6, 2009, 3 Pages.  
 McMaster-Carr Supply Company, Thumb Screws, No. 3061, 1 Page,  
 Publication date unknown.  
 McMaster-Carr Supply Company, Clamp and Thumbscrew, 1 Page,  
 Jul. 1, 2009.  
 Lockwood Products, Inc., Loc-Line, The Original Modular Hose  
 System, Jul. 1, 2008, 22 Pages.  
 UW-Lighting, halogen Hand-Held Lights, 2006, 7 Pages, Can be  
 retrieved at <URL:http://www.aditech-uw.com/aditechweb/  
 iniluminacion.htm> Archived on web.archive.org on May 16, 2006,  
 Retrieved from the internet <URL:https://web.archive.org/web/  
 20060516081227/http://www.aditech-uw.com/aditechweb/  
 iniluminacion...>.  
 Nasty Clamps, Nasty Clamp Photo 1, Publication date unknown,  
 Printed on Oct. 2, 2014, 1 Page.  
 Nasty Clamps, Nasty Clamp Photo 2, Publication date unknown,  
 Printed on Oct. 2, 2014, 1 Page.  
 Shear-Loc Products, "Shear-Loc Quick Reference Guide," Publica-  
 tion date unknown, 2 Pages.  
 Wimberley, Inc., Wimberley Professional Photo Gear—The Plamp,  
 Archived on web.archive.org on Oct. 15, 2009, 6 Pages, Can be  
 Retrieved at <URL:http://web.archive.org/web/20081015002348/  
 http://www.tripodhead.com/products/plamp-main.cfm>.  
 Instructables, French Flag / Freedom Flag, Can be Retrieved at  
 <URL:https://web.archive.org/web/20100417102439/http://www.  
 instructables.com/id/French-Flag-Freedom-Flag>, Archived on  
 web.archive.org on Apr. 17, 2010, 5 Pages.  
 ModularHose.com, Loc-Line World, Can be Retrieved at  
 <URL:http://www.modularhose.com/Loc-Line.htm>, Archived on  
 web.archive.org on Jun. 16, 2009, 3 Pages.  
 ModularHose.com, Applications—Assistive Technology, Can be  
 Retrieved at <URL:http://www.modularhose.com/applications/As-  
 sistive-Technology> Archived on web.archive.org on Oct. 27, 2009,  
 1 Page.  
 ModularHose.com, Parts and Supplies, Can be Retrieved at  
 <URL:http://www.modularhose.com/applications/mh-Parts-and-  
 Supplies>, Archived on web.archive.org on Nov. 6, 2009, 1 Page.  
 ModularHose.com, Loc-Line 1/2, Can be Retrieved at <URL:http://  
 www.modularhose.com/Loc-Line-12-System/12-miscellaneous>,  
 Archived on web.archive.org on Jun. 22, 2009, 2 Pages.  
 Dinkum Systems, Inc., Trademark Information for ActionPod, Serial  
 No. 85379756, Mar. 6, 2012, 31 Pages.  
 Lockwood Products, Inc., Loc-Line, The Original Modular Hose  
 System, Aug. 1, 2012, 24 Pages.  
 Clamp Flag Co., The Clamp Flag Company, Can be Retrieved at  
 <URL:http://www.clampflag.com/>, Archived on web.archive.org  
 on Sep. 29, 2003, 4 Pages.  
 Clamp Flag Co., The Clamp Flag in Action!, Can be Retrieved at  
 <URL:http://www.clampflag.com/flag%20in%20action.htm>,  
 Archived on web.archive.org on Nov. 18, 2003, 4 Pages.  
 Sorrel, C., "Nasty Clamp: DIY Flash-Stand Goes Commerical,"  
 Wired Magazine, Jul. 15, 2009, 5 Pages.  
 Nasty Clamps, NastyClamps.com! Home of the Flexible Photogra-  
 phy Clamp! Retrieved from the internet on Aug. 27, 2014, Can be  
 retrieved at <URL:http://www.nastyclamps.com/>, 4 Pages.  
 Nasty Clamps, Nasty Clamp Photo 4, Publication Date Unknown,  
 Printed on Oct. 2, 2014, 1 Page.

(56)

**References Cited**

OTHER PUBLICATIONS

Nasty Clamps, Nasty Clamp Photo 3, Publication Date Unknown, Printed on Oct. 2, 2014, 1 Page.

Schofield, J., Feeling Nasty! [VIDEO] Can be retrieved at <URL: <http://www.the47.com/gearbox/feeling-nasty.html>>, Oct. 30, 2009, 25 Pages.

Schofield, J., Nasty Clamps, Feeling Nasty!, Can be retrieved at <URL: <http://www.the47.com/gearbox/feeling-nasty.html>>, Oct. 30, 2009, 10 Pages.

Nasty Clamps, Nasty Clamp Facebook Timeline, 133 Pages, Retrieved from the internet on Aug. 29, 2014, Can be retrieved at <URL: [https://www.facebook.com/pages/Nasty-Clamps/144803988805?sk=timeline&ref=page\\_internal](https://www.facebook.com/pages/Nasty-Clamps/144803988805?sk=timeline&ref=page_internal)>.

Tirosh, U., "Nasty Lil' Lighting Thing", DIYPhotography, Can be retrieved at <URL: <http://www.diyphotography.net/nasty-lil-lighting-thing/>>, Jul. 14, 2009, 14 Page.

Progue, D., "The iPhone Matches Most of Its Hype," The New York Times, Jun. 27, 2007, 3 Pages, Can be Retrieved online <URL: [http://www.nytimes.com/2007/06/27/technology/circuits/27pogue.html?\\_r=0&pagewanted=print](http://www.nytimes.com/2007/06/27/technology/circuits/27pogue.html?_r=0&pagewanted=print)>.

McMaster-Carr Supply Company, Catalog No. 114, Spring Clamps (2533-2534), Thumb Screws (3039-3047), Jan. 1, 2008, (Copy Unavailable).

U.S. Appl. No. 61/303,655, filed Feb. 11, 2010, 49 Pages.

Office Action for U.S. Appl. No. 13/998,332, Mar. 25, 2014, 17 Pages.

\* cited by examiner

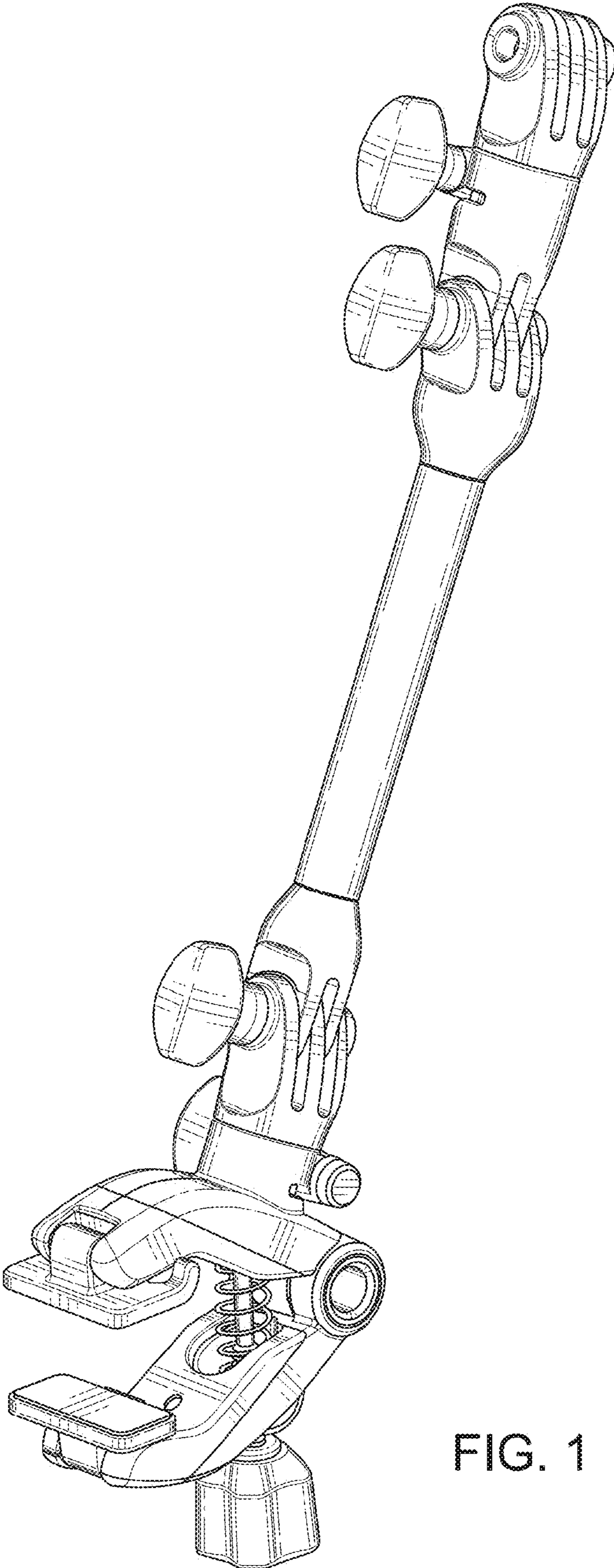


FIG. 1

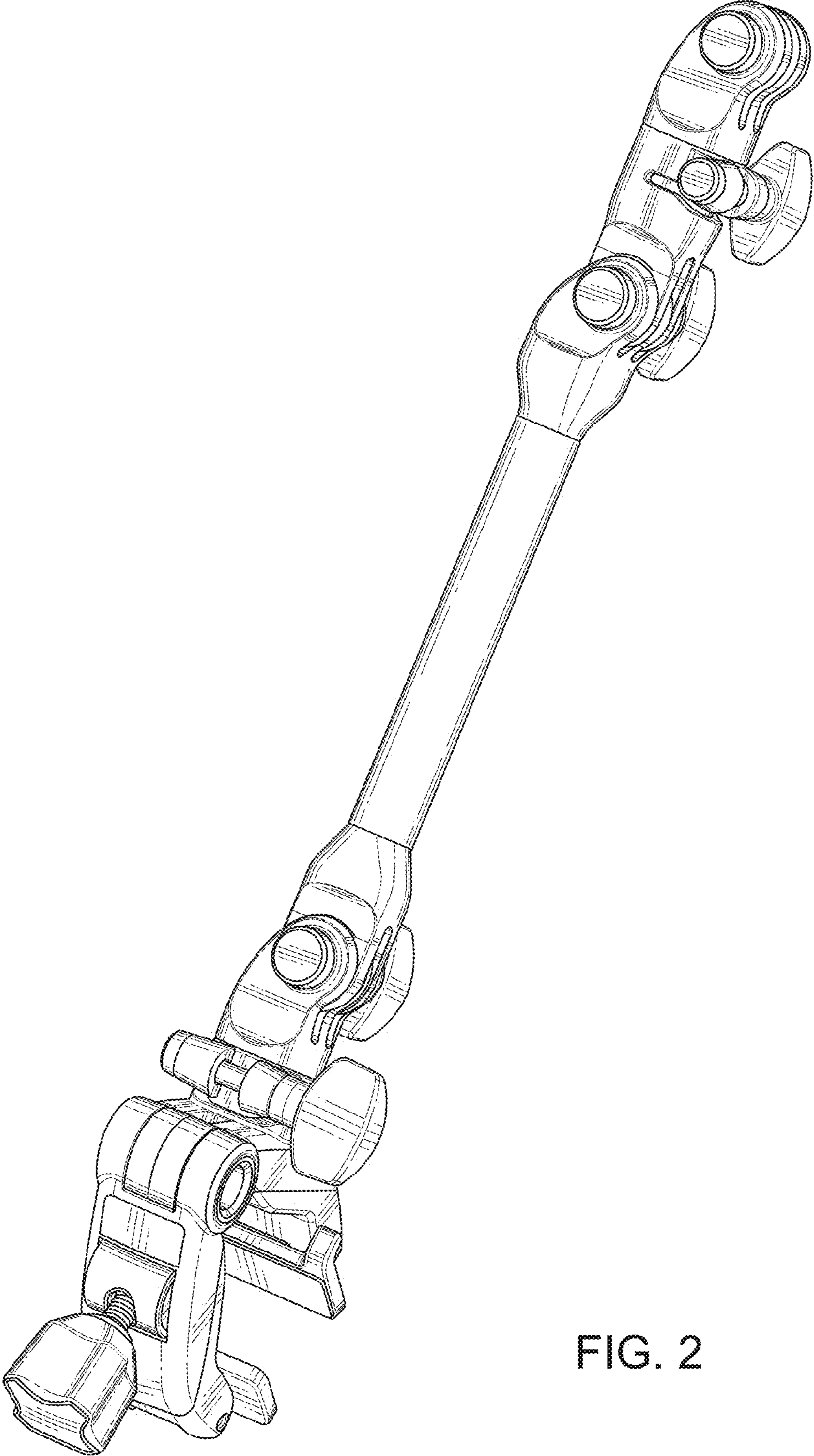


FIG. 2

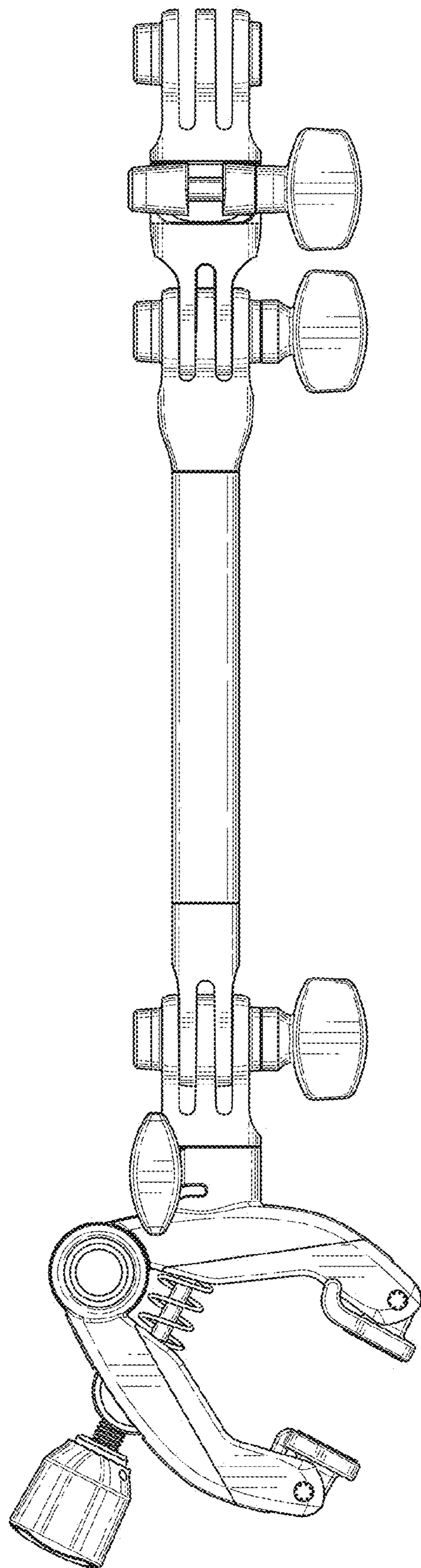


FIG. 3

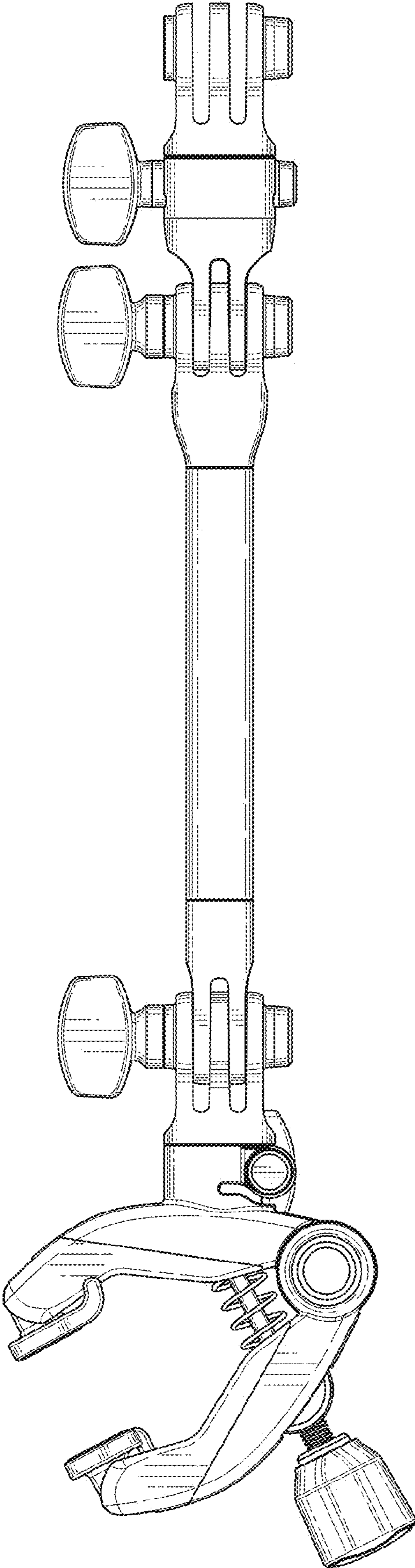


FIG. 4

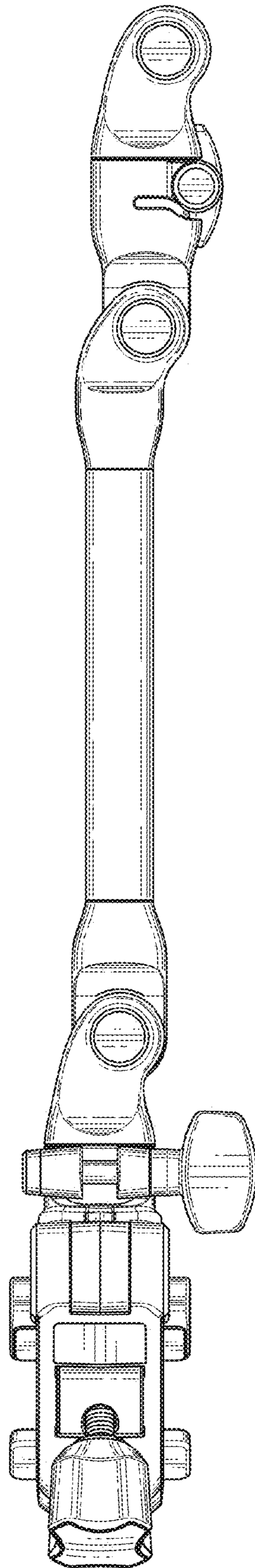


FIG. 5



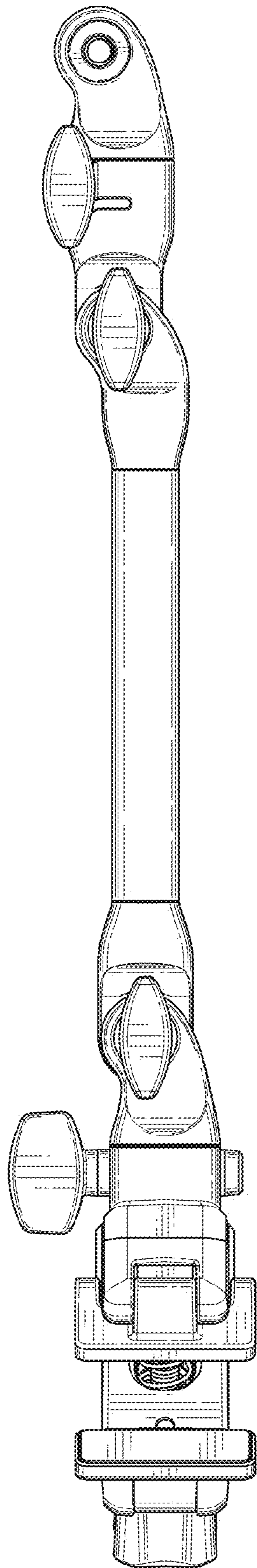


FIG. 6

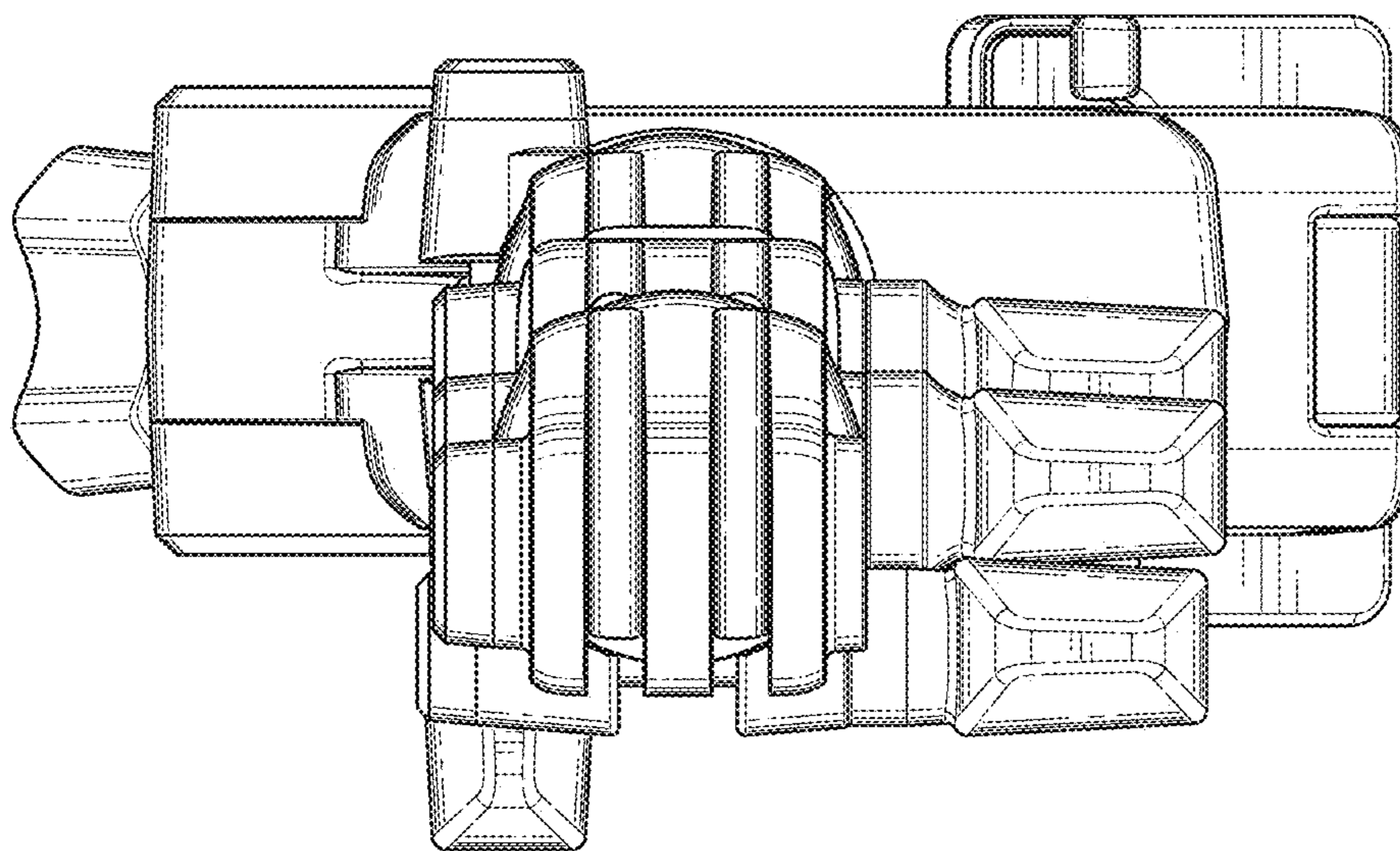


FIG. 7

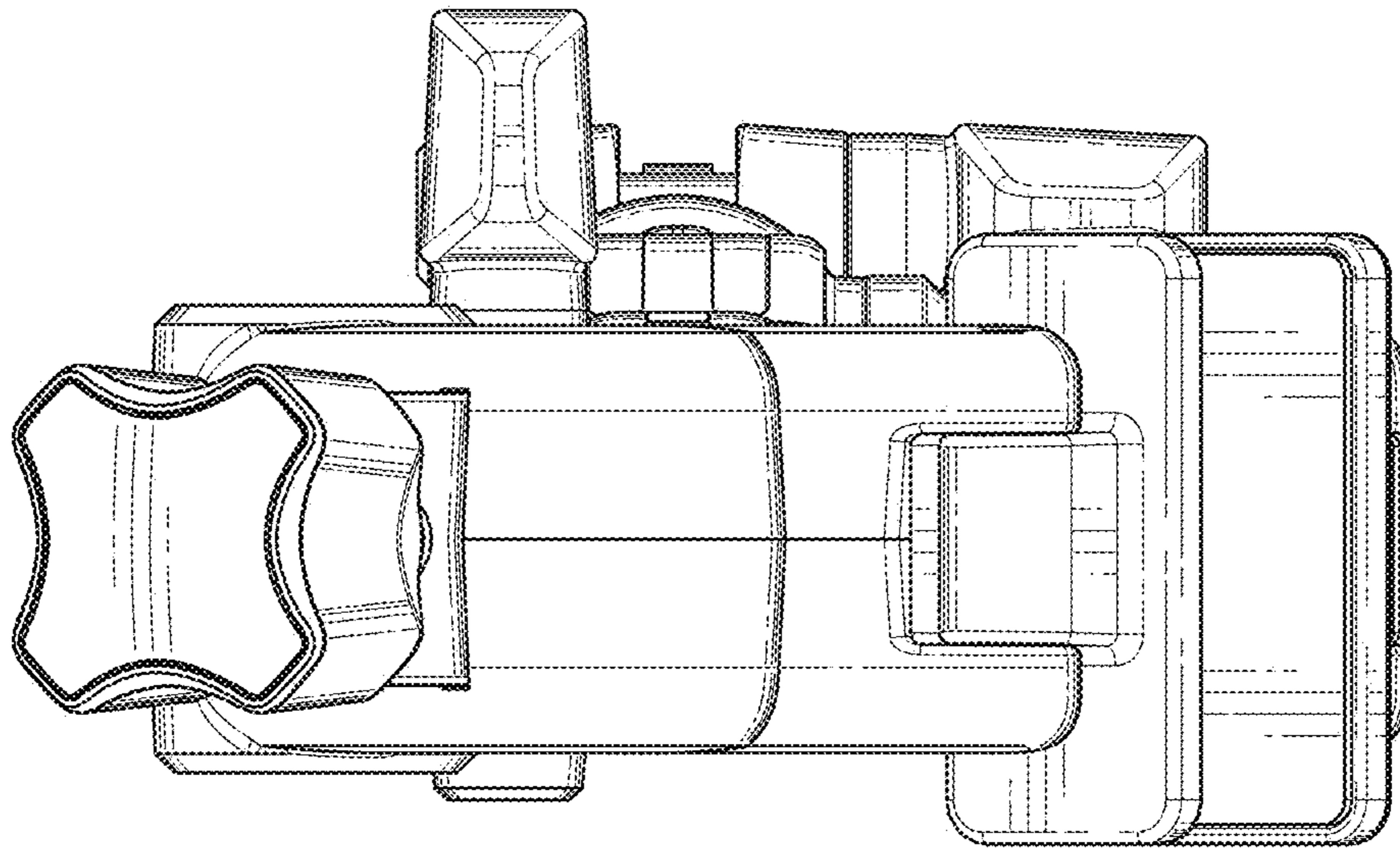


FIG. 8