



US00D758473S

(12) **United States Design Patent**  
**Costa et al.**

(10) **Patent No.:** **US D758,473 S**  
(45) **Date of Patent:** **\*\* Jun. 7, 2016**

- (54) **CAMERA MOUNT**
- (71) Applicant: **GoPro, Inc.**, San Mateo, CA (US)
- (72) Inventors: **Mark Costa**, Menlo Park, CA (US);  
**Matthew D. Thomas**, Castro Valley, CA (US); **Arthur Kwun**, Newark, CA (US)
- (73) Assignee: **GoPro, Inc.**, San Mateo, CA (US)
- (\*\*) Term: **14 Years**
- (21) Appl. No.: **29/524,866**
- (22) Filed: **Apr. 23, 2015**
- (51) **LOC (10) Cl.** ..... **16-05**
- (52) **U.S. Cl.**  
USPC ..... **D16/242**
- (58) **Field of Classification Search**  
USPC ..... D16/134, 136, 208, 213–219, 235,  
D16/237–245, 250; D14/203.4, 218, 224,  
D14/250–253, 345, 440, 449; D8/363, 373,  
D8/394  
CPC ..... G03B 17/02–17/04; G03B 17/14;  
G03B 17/56; G03B 17/561–17/568; G03B  
21/20–21/2066; G03B 15/041–15/0436;  
G02B 7/02–7/04; G02B 7/14; H04N  
5/2251–5/2554; F16M 11/02; F16M 11/20;  
F16M 11/40  
See application file for complete search history.

- D483,789 S \* 12/2003 Dordick ..... D16/242
- D506,493 S \* 6/2005 Naito ..... D13/133
- D602,974 S \* 10/2009 Zen ..... D16/242
- D631,081 S \* 1/2011 Richter ..... D16/242
- 8,014,656 B2 9/2011 Woodman
- D649,576 S \* 11/2011 Jannard ..... D16/242
- 8,199,251 B2 6/2012 Woodman
- 8,325,270 B2 12/2012 Woodman

(Continued)

**FOREIGN PATENT DOCUMENTS**

EP 0845399 A2 6/1998

**OTHER PUBLICATIONS**

GoPro, Inc., “Grab Bag of Mounts,” 2014, 2 Pages, [online][Archived on web.archive.org on Mar. 29, 2014][Retrieved on Aug. 31, 2015] Retrieved from the internet <URL:https://web.archive.org/web/20140329112413/http://gopro.com/camera-mounts/grab-bag-of-mounts#features>.

(Continued)

*Primary Examiner* — Susan Bennett Hattan  
*Assistant Examiner* — Vy Koenig  
(74) *Attorney, Agent, or Firm* — Fenwick & West LLP

(57) **CLAIM**  
The ornamental design for a camera mount, as shown and described.

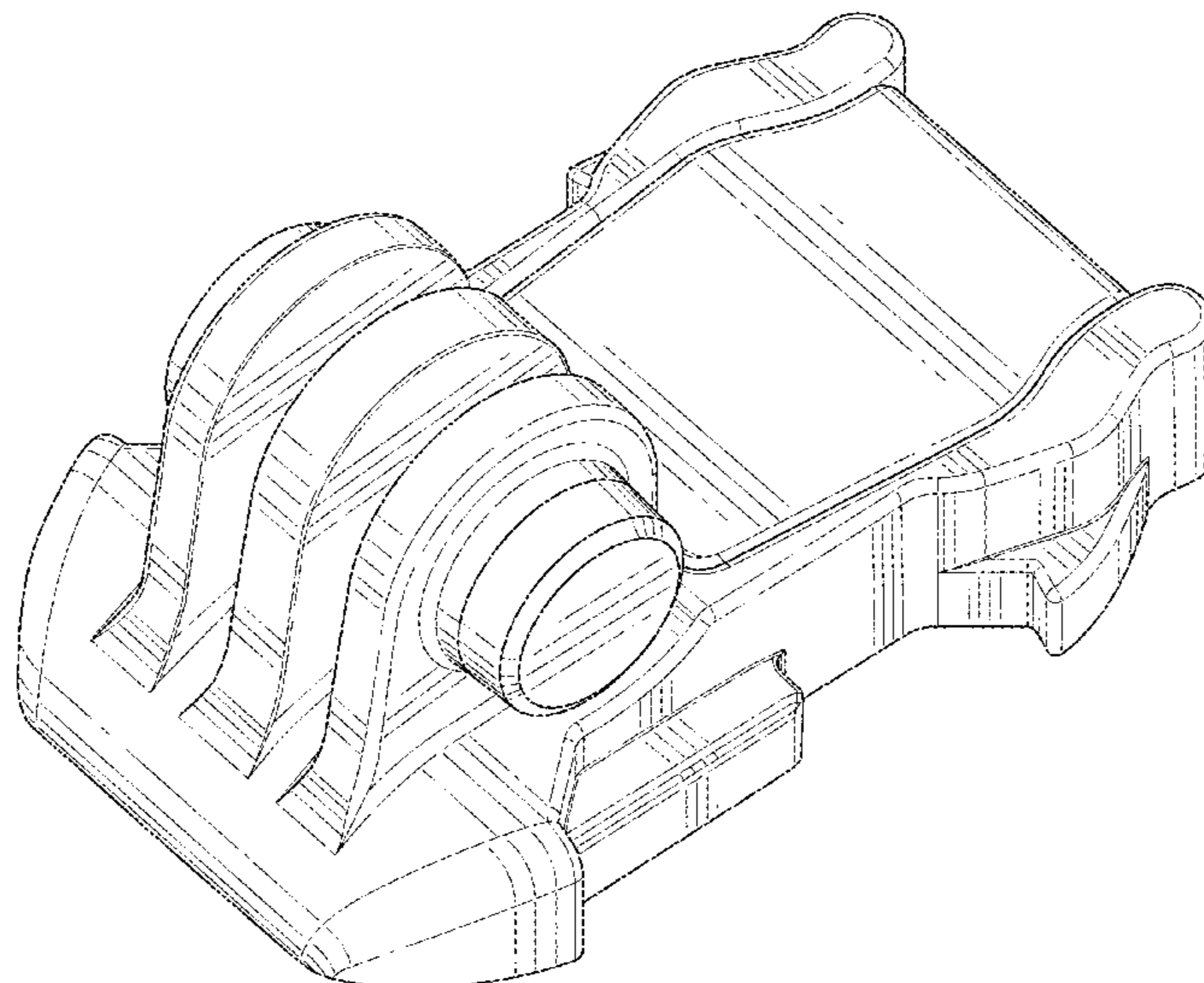
**DESCRIPTION**

FIG. 1 is a front, top, and right side perspective view of a camera mount;  
FIG. 2 is a rear, bottom, and left side perspective view thereof;  
FIG. 3 is a front elevational view thereof;  
FIG. 4 is a rear elevational view thereof;  
FIG. 5 is a left side elevational view thereof;  
FIG. 6 is a right side elevational view thereof;  
FIG. 7 is a top plan view thereof; and,  
FIG. 8 is a bottom plan view thereof.

**1 Claim, 8 Drawing Sheets**

(56) **References Cited**  
**U.S. PATENT DOCUMENTS**

- D209,013 S \* 10/1967 McElroy ..... D8/383
- D366,887 S \* 2/1996 Wood ..... D16/242
- D372,189 S \* 7/1996 Andis ..... D28/73
- D395,996 S \* 7/1998 Fischer ..... D8/349
- D399,230 S \* 10/1998 Tenne ..... D16/237
- 5,842,069 A 11/1998 Konno
- 5,887,375 A 3/1999 Watson
- 6,315,180 B1 11/2001 Watkins
- 6,654,235 B2 11/2003 Imsand



(56)

**References Cited**

**OTHER PUBLICATIONS**

U.S. PATENT DOCUMENTS

D675,661 S \* 2/2013 Jannard ..... D16/242  
D722,864 S \* 2/2015 Greenthal ..... D8/382  
D722,865 S \* 2/2015 Greenthal ..... D8/382  
9,033,596 B2 5/2015 Samuels  
2014/0027591 A1 1/2014 Fountain

PCT International Search Report for Written Opinion for PCT/  
US2013/062061, Mar. 3, 2014, 15 Pages.

\* cited by examiner

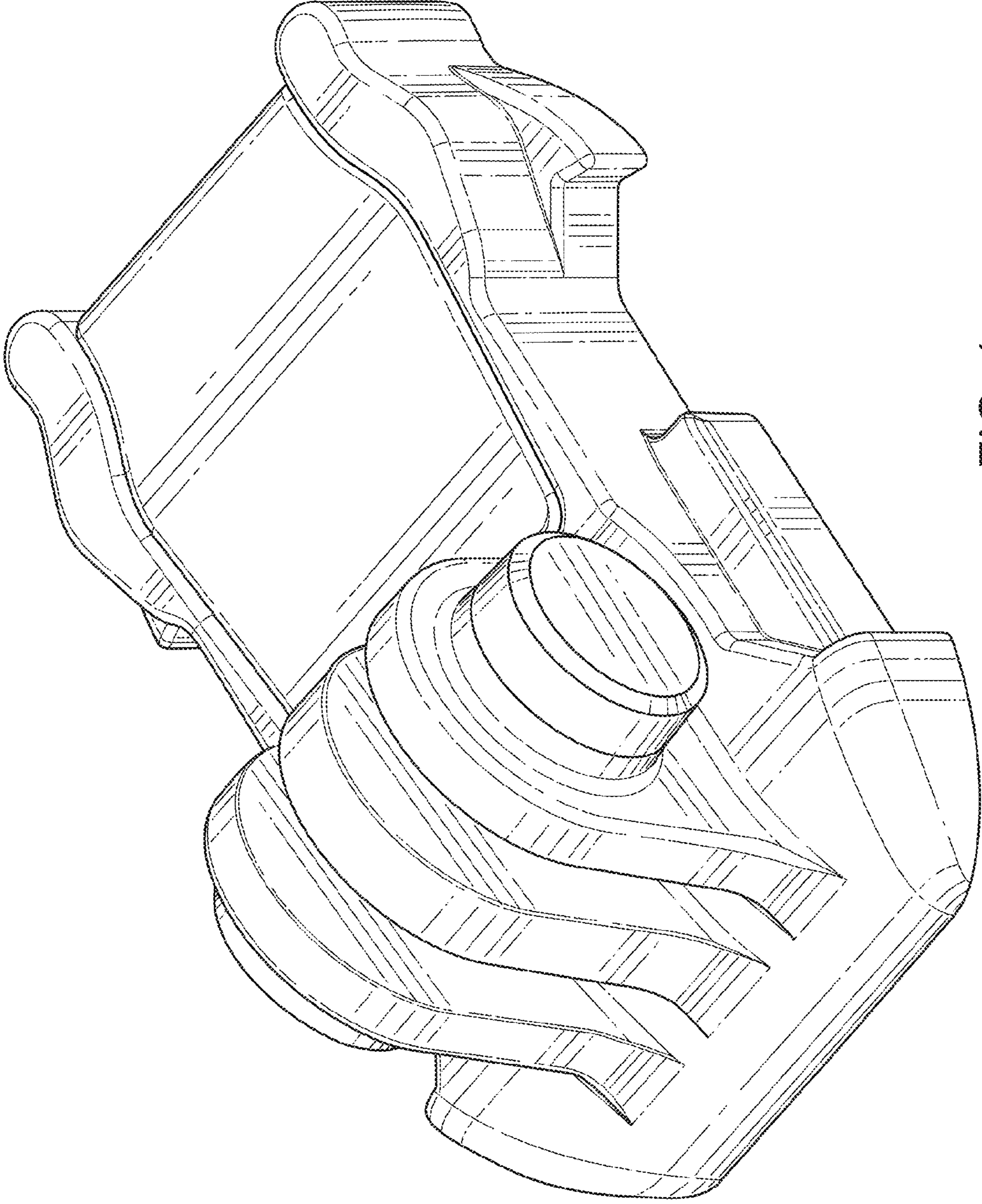


FIG. 1



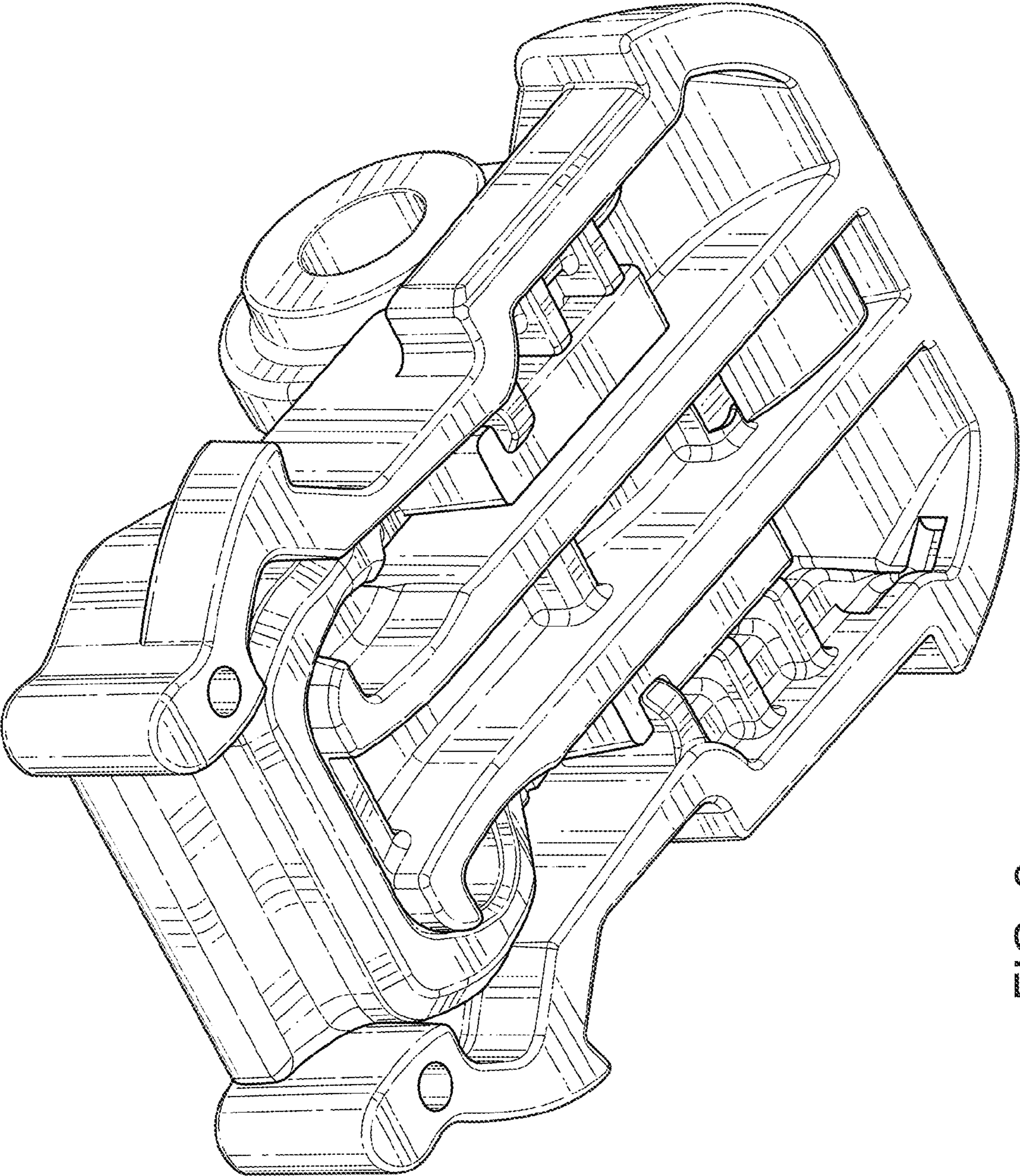


FIG. 2

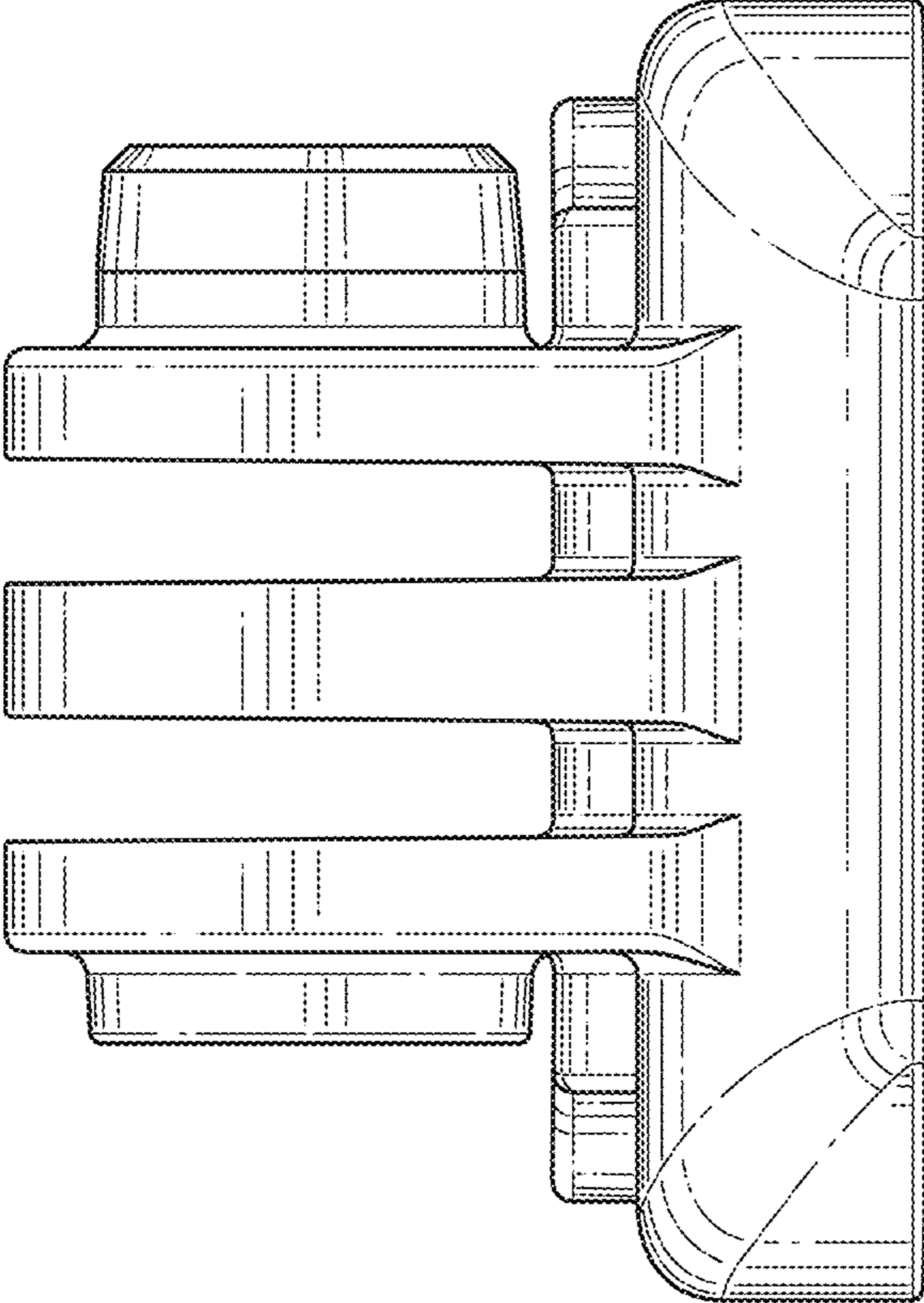


FIG. 3

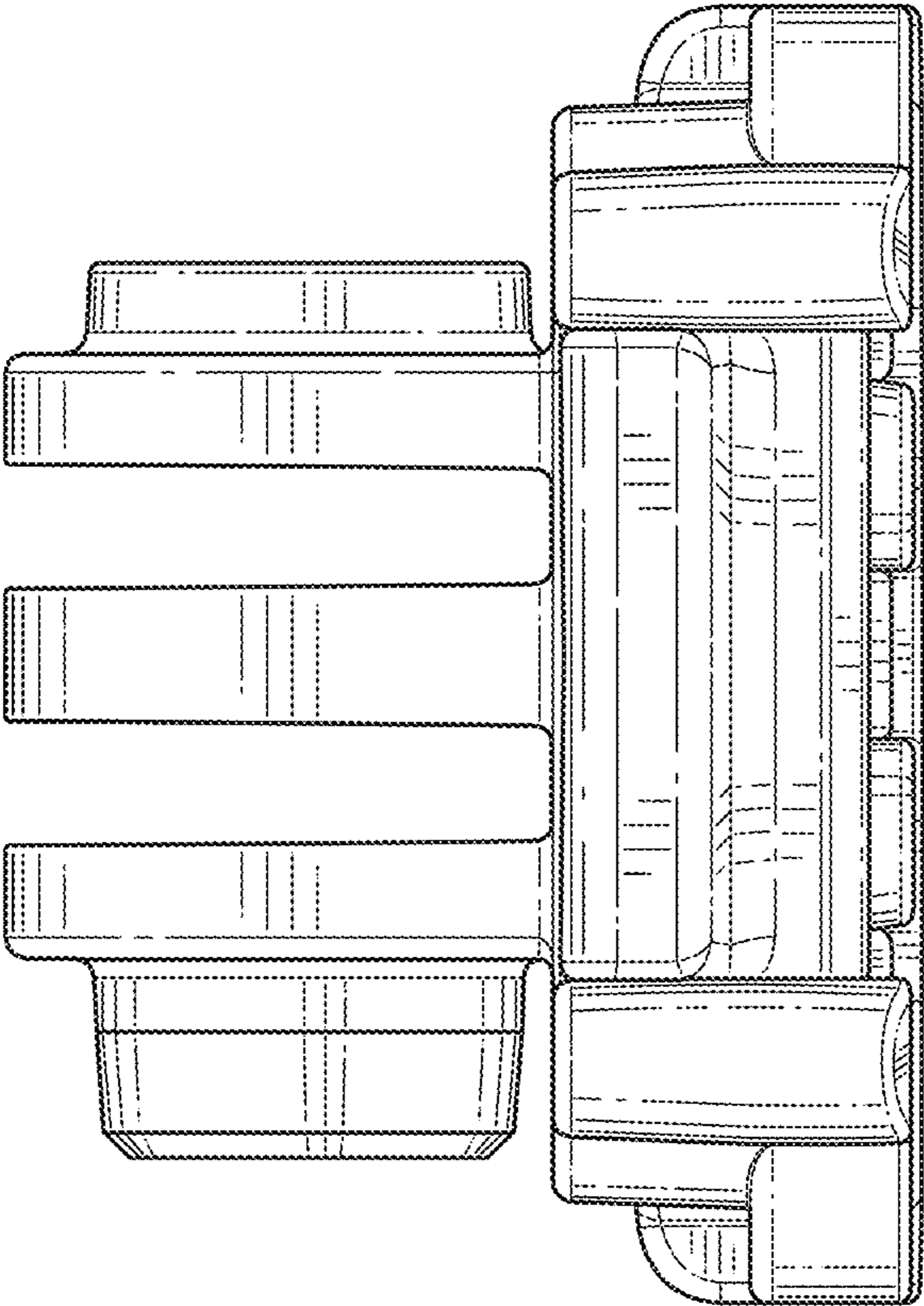


FIG. 4

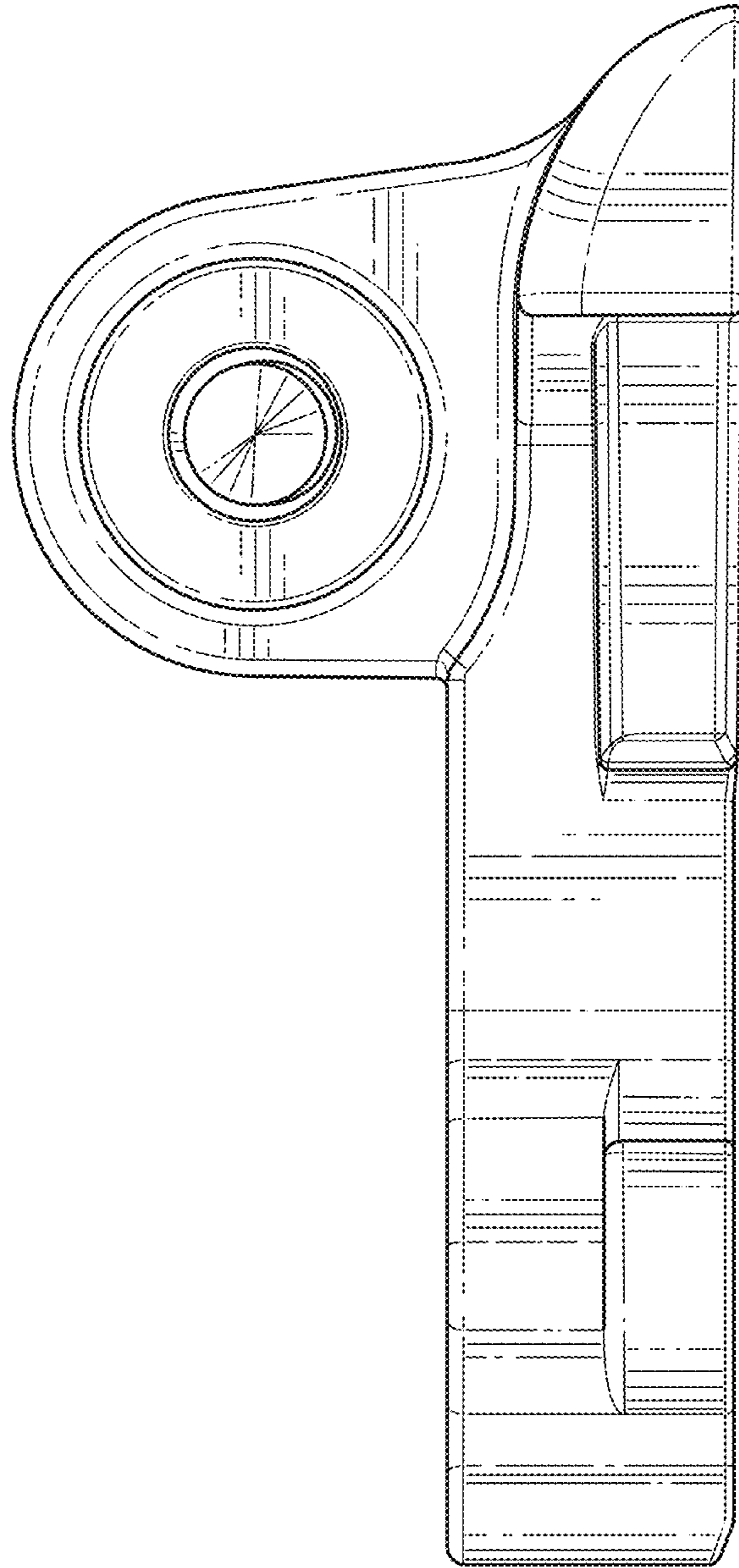


FIG. 5



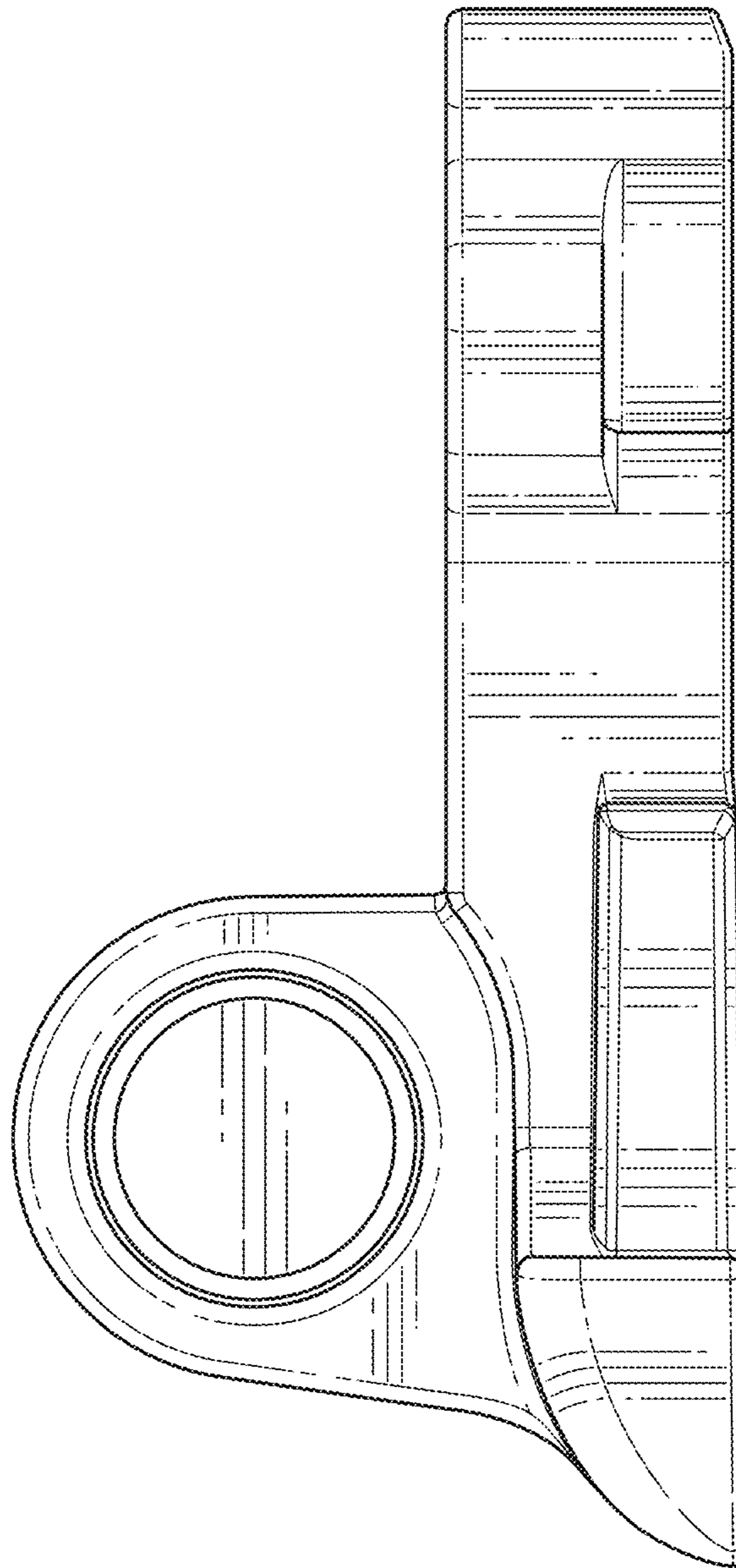


FIG. 6



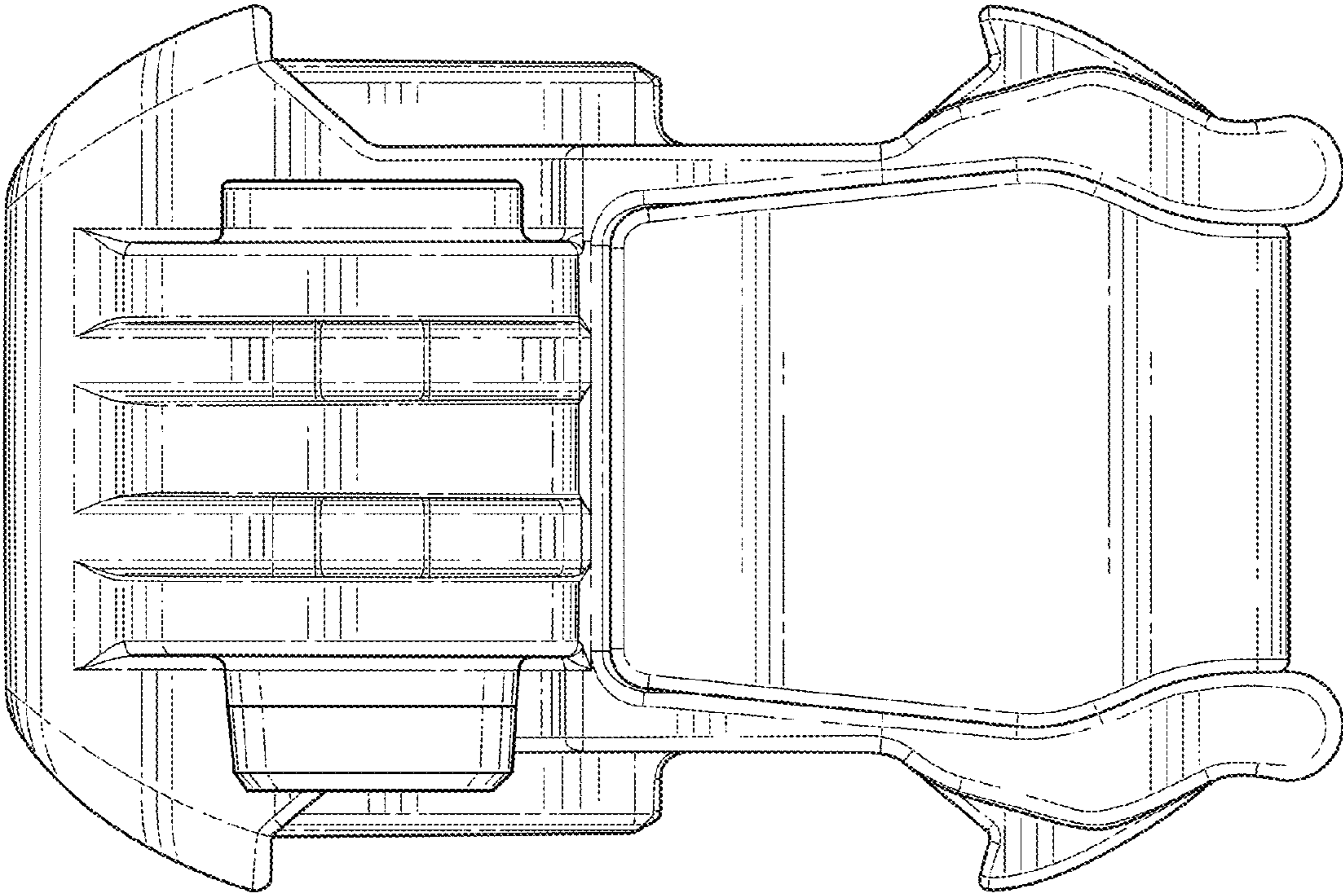


FIG. 7

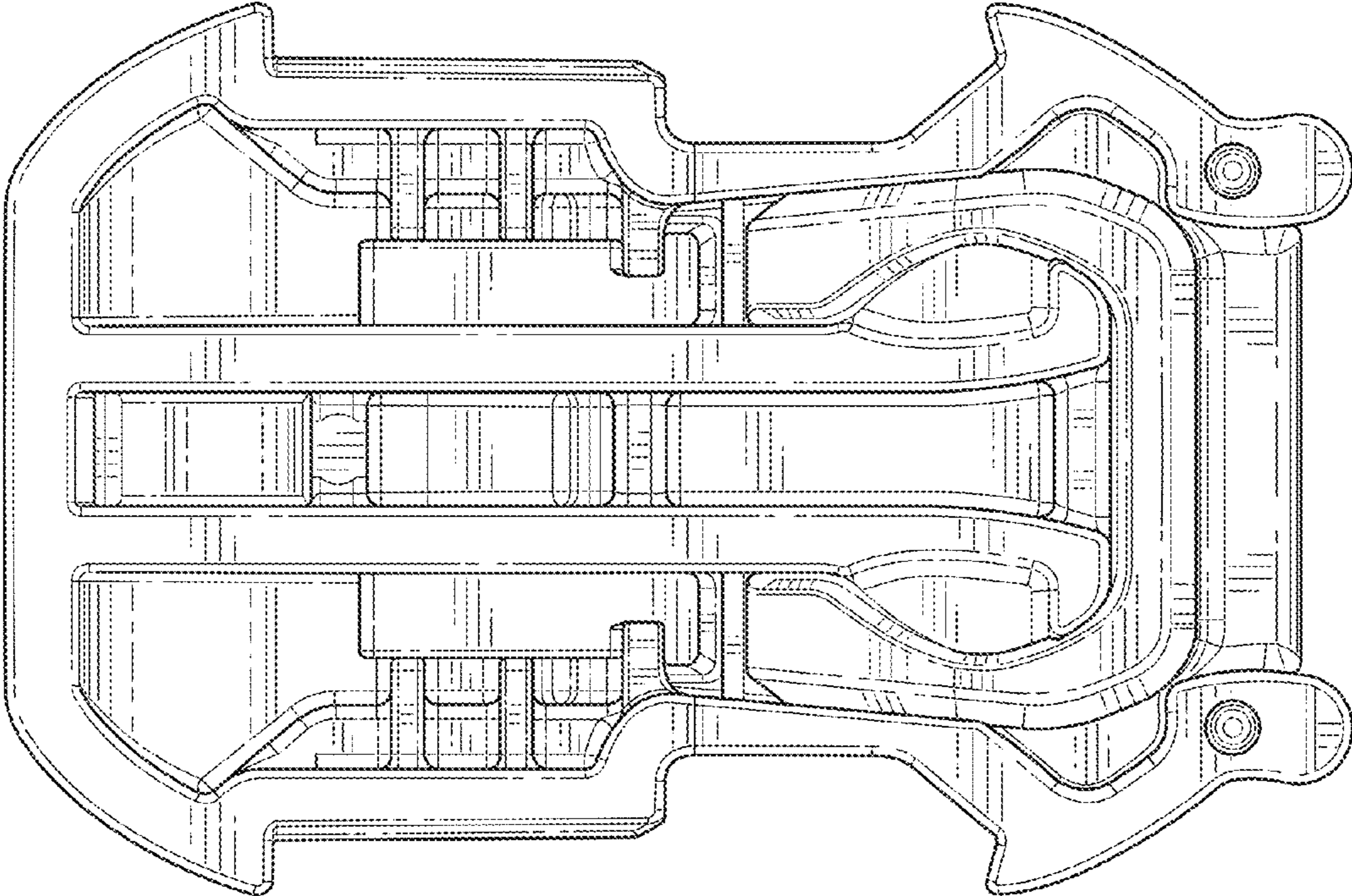


FIG. 8