

US00D758468S

(12) **United States Design Patent**
Darty et al.

(10) **Patent No.:** **US D758,468 S**
(45) **Date of Patent:** **** Jun. 7, 2016**

(54) **CASING FOR A PORTABLE IMAGER**

(71) Applicant: **Hypermed Imaging, Inc.**, Memphis, TN (US)

(72) Inventors: **Mark Anthony Darty**, Collierville, TN (US); **Michael Paloian**, Cold Spring Harbor, NY (US); **Anthony Orchard**, Wantagh, NY (US)

(73) Assignee: **Hypermed Imaging, Inc.**, Memphis, TN (US)

(**) Term: **14 Years**

(21) Appl. No.: **29/511,465**

(22) Filed: **Dec. 10, 2014**

(51) **LOC (10) Cl.** **16-01**

(52) **U.S. Cl.**
USPC **D16/207**

(58) **Field of Classification Search**
USPC D16/200, 202, 204, 206, 207, 208, 218;
348/373-374; 396/535, 539-541
CPC G03B 15/03; G03B 17/02; G03B 17/04;
H04N 5/2251; H04N 5/2252; H04N 5/2253;
H04N 5/2254; H04N 5/33; H04N 5/332
See application file for complete search history.

(56) **References Cited**

U.S. PATENT DOCUMENTS

D186,831 S *	12/1959	Miyauchi	D16/207
D222,297 S *	10/1971	Waltstrom	D16/218
D476,352 S *	6/2003	Takimura	D16/208
D579,475 S *	10/2008	Aronsson	D16/218
D614,683 S *	4/2010	Oikawa	D16/207
D616,008 S *	5/2010	Enervold	D16/218
D718,801 S *	12/2014	Zetterlund	D16/218
D726,802 S *	4/2015	Cho	D16/219

* cited by examiner

Primary Examiner — Adir Aronovich

(74) *Attorney, Agent, or Firm* — Brett A. Lovejoy; Andrew J. Antczak; Morgan, Lewis & Bockius, LLP

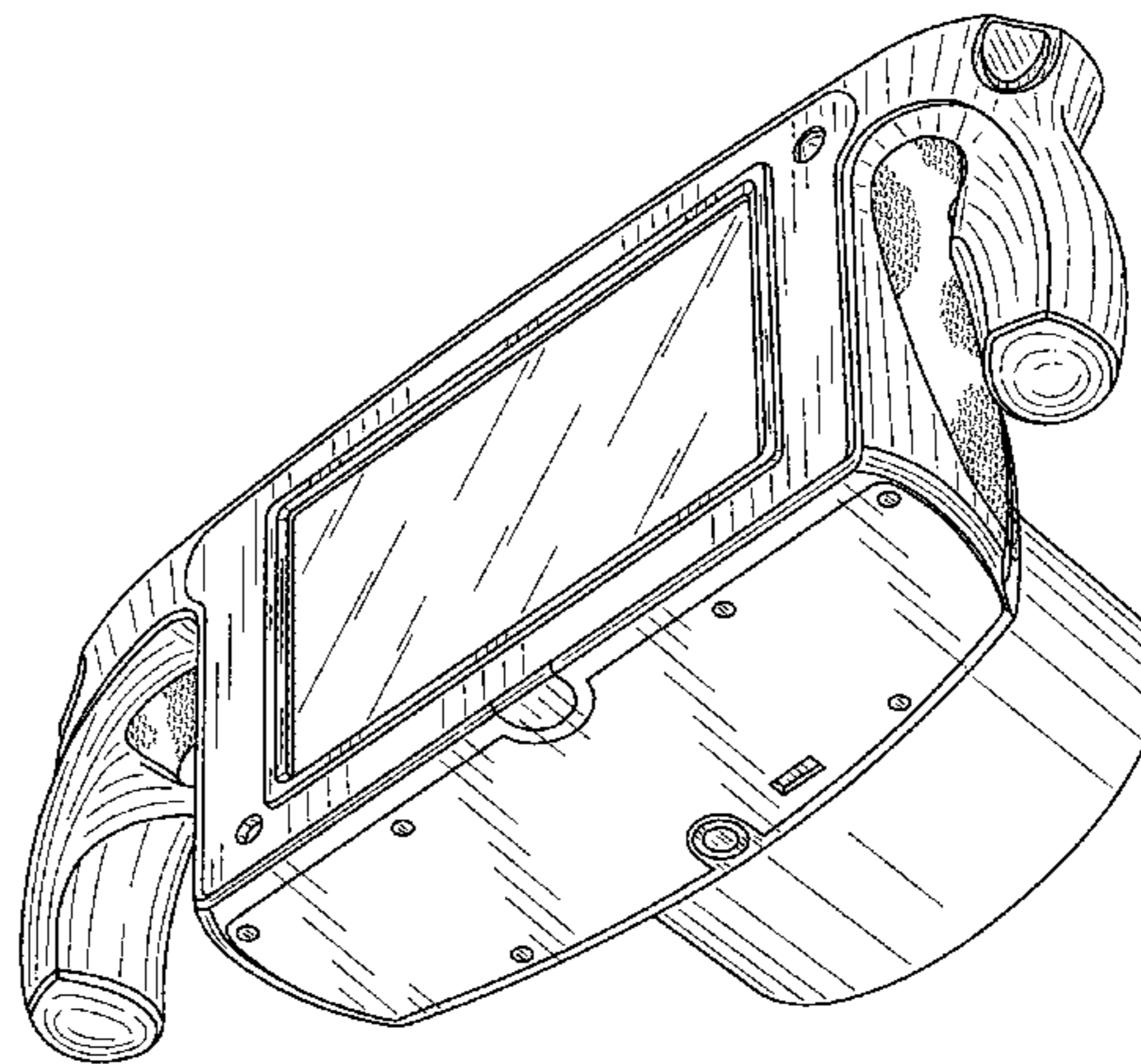
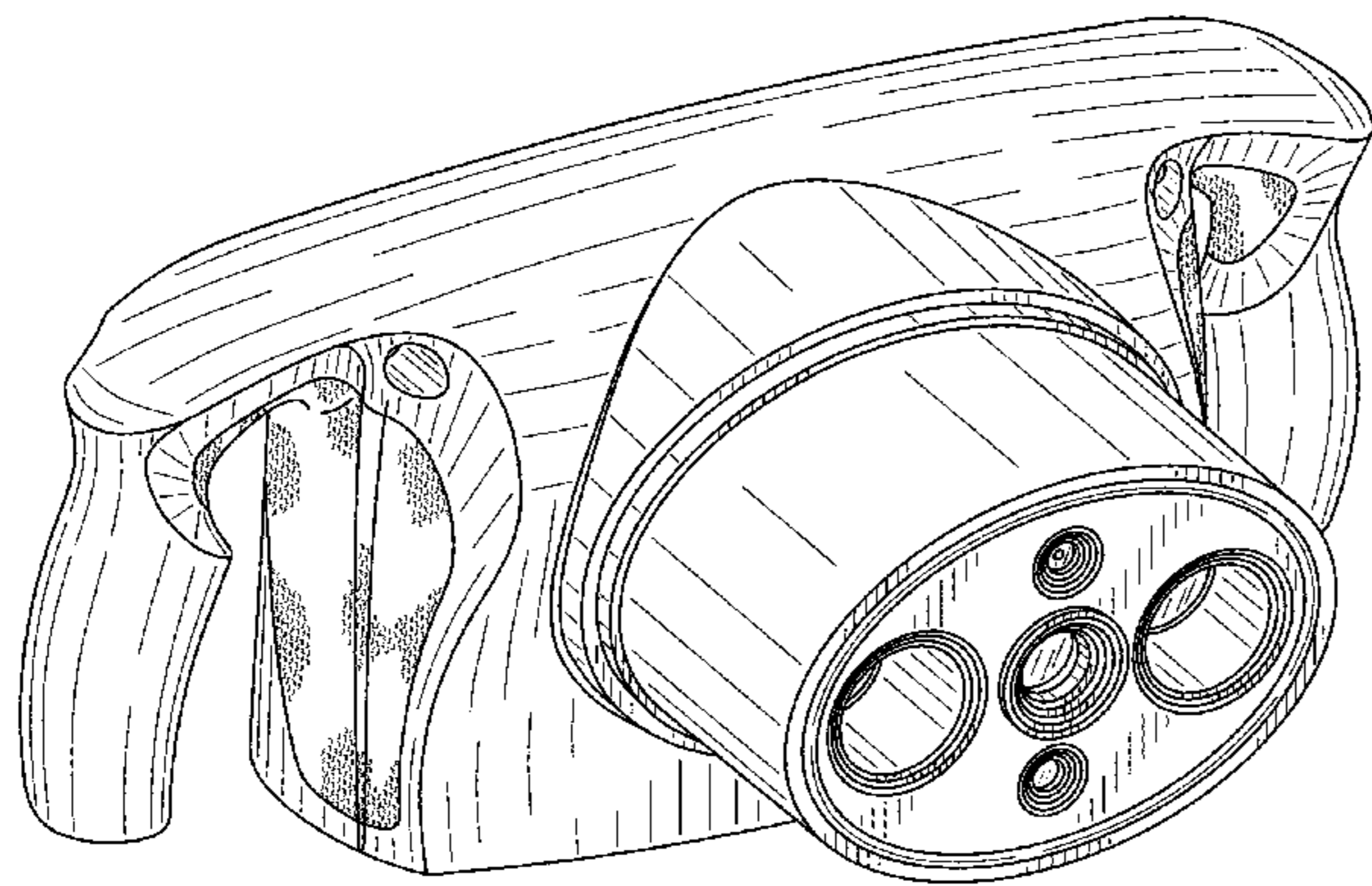
(57) **CLAIM**

An ornamental design for a casing for a portable imager, as shown and described.

DESCRIPTION

FIG. 1 is a top and front perspective view of our new design of a casing for a portable imager;
FIG. 2 is a bottom and rear perspective view a design of FIG. 1;
FIG. 3 is a front elevational view of the design of FIG. 1;
FIG. 4 is a rear elevational view of the design of FIG. 1;
FIG. 5 is a left side elevational view of the design of FIG. 1;
FIG. 6 is a right side elevational view of the design of FIG. 1;
FIG. 7 is a top plan view of the design of FIG. 1; and,
FIG. 8 is a bottom view of the design of FIG. 1.

1 Claim, 8 Drawing Sheets



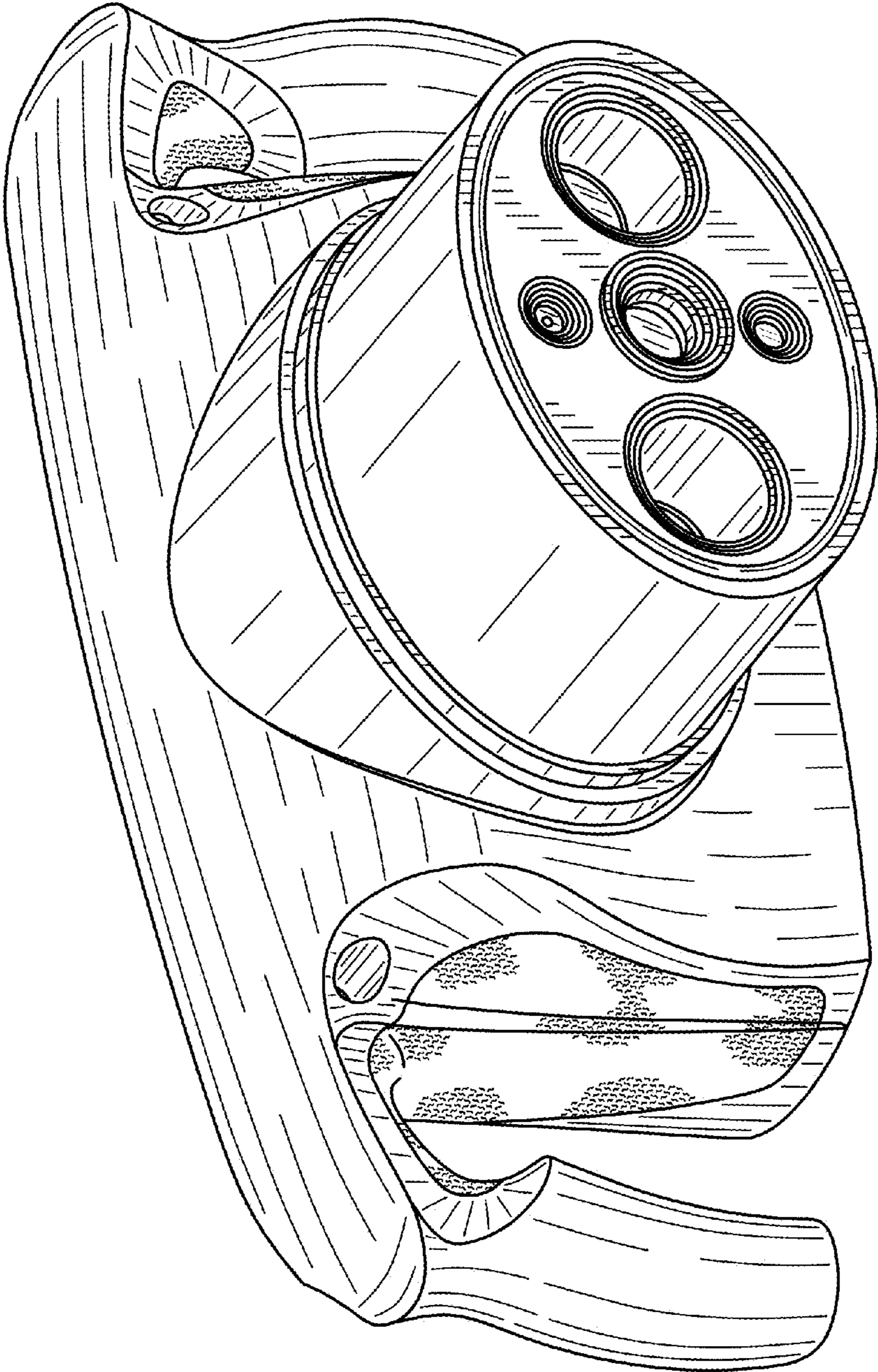


FIG. 1

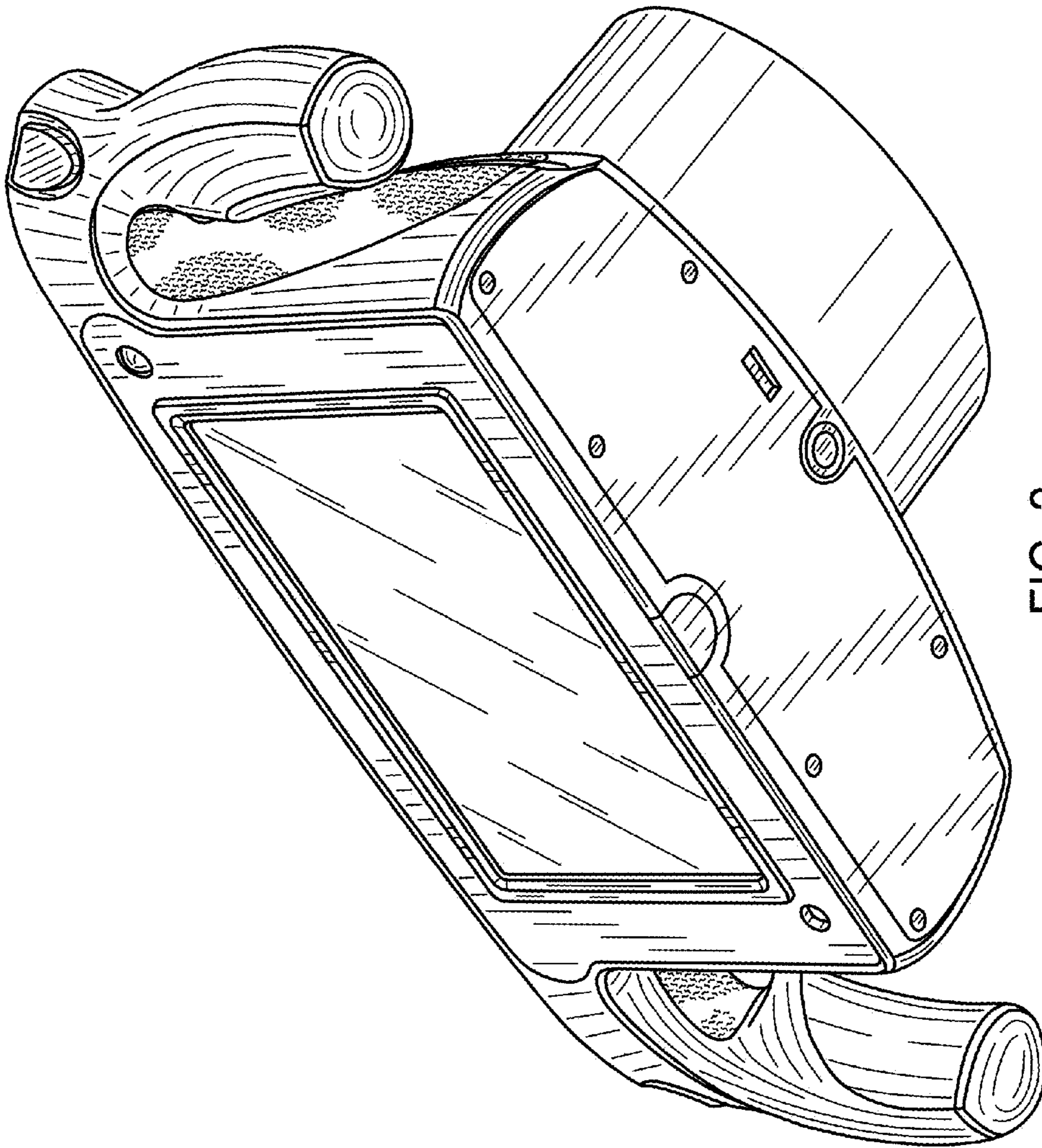


FIG. 2

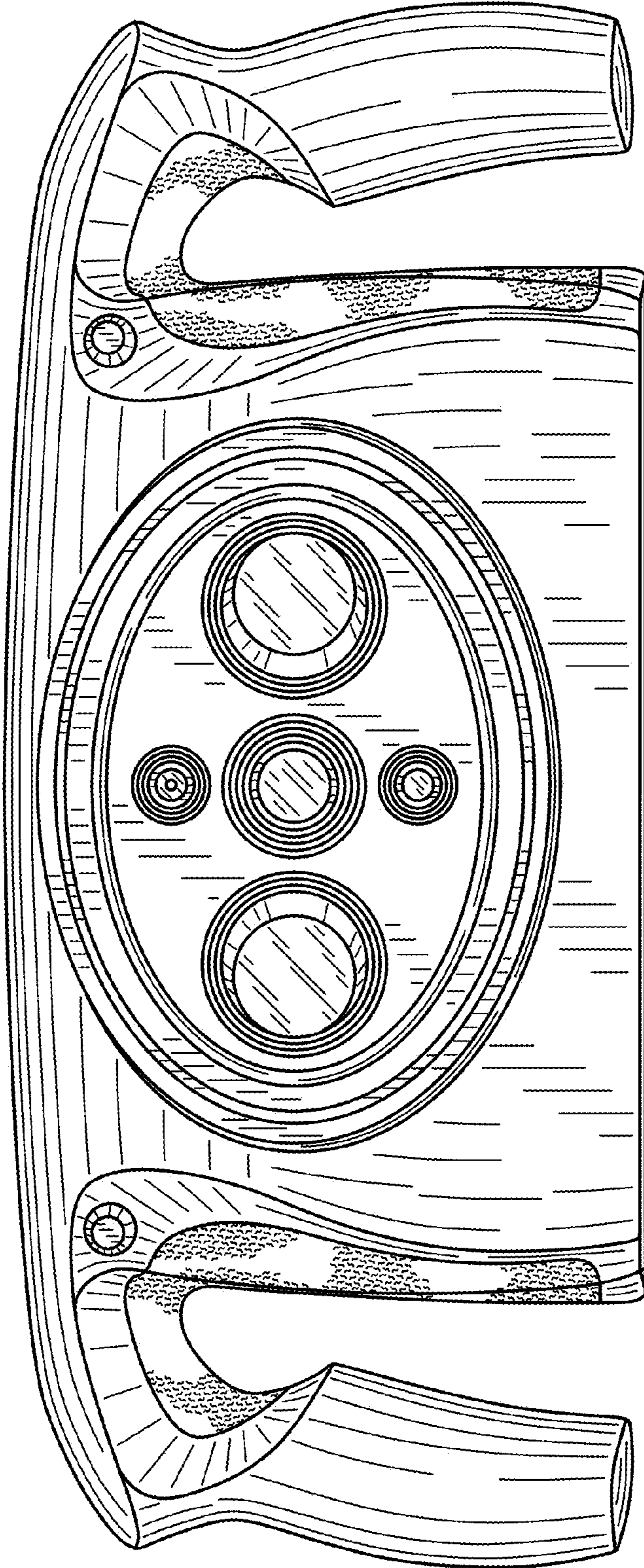


FIG. 3

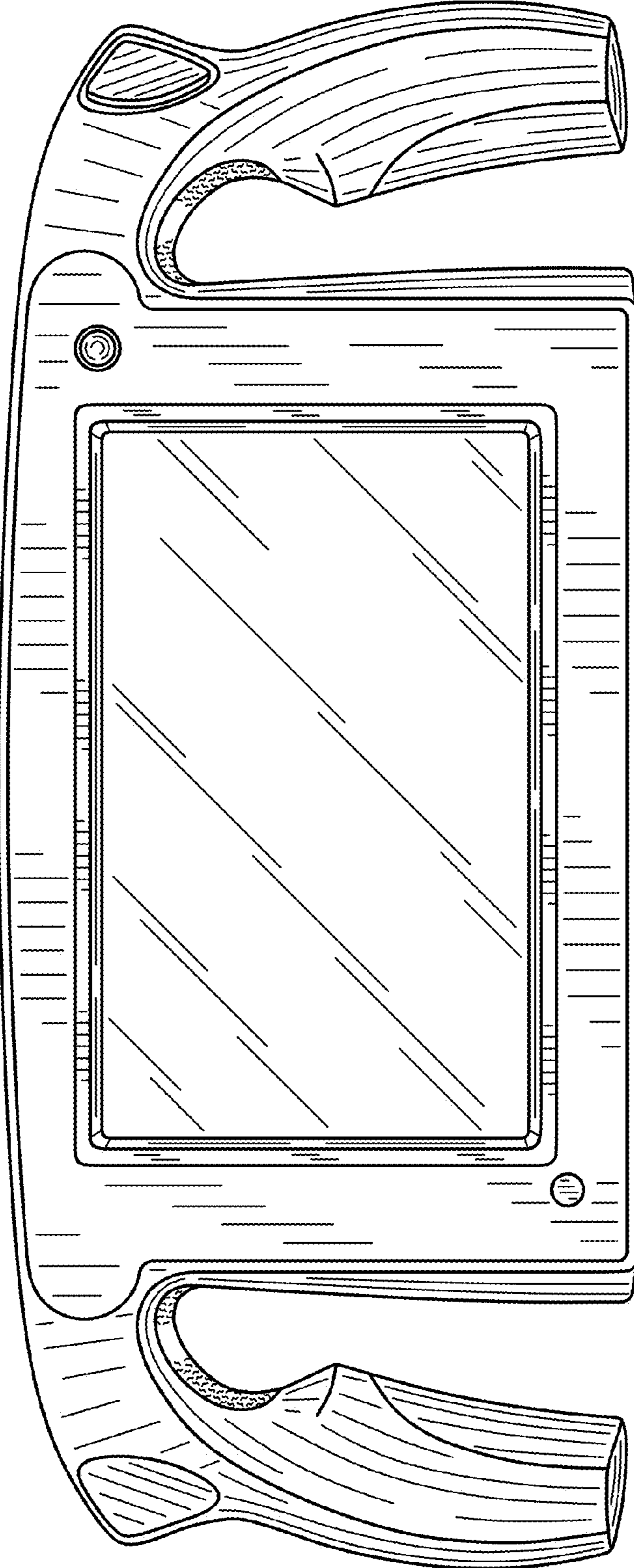


FIG. 4

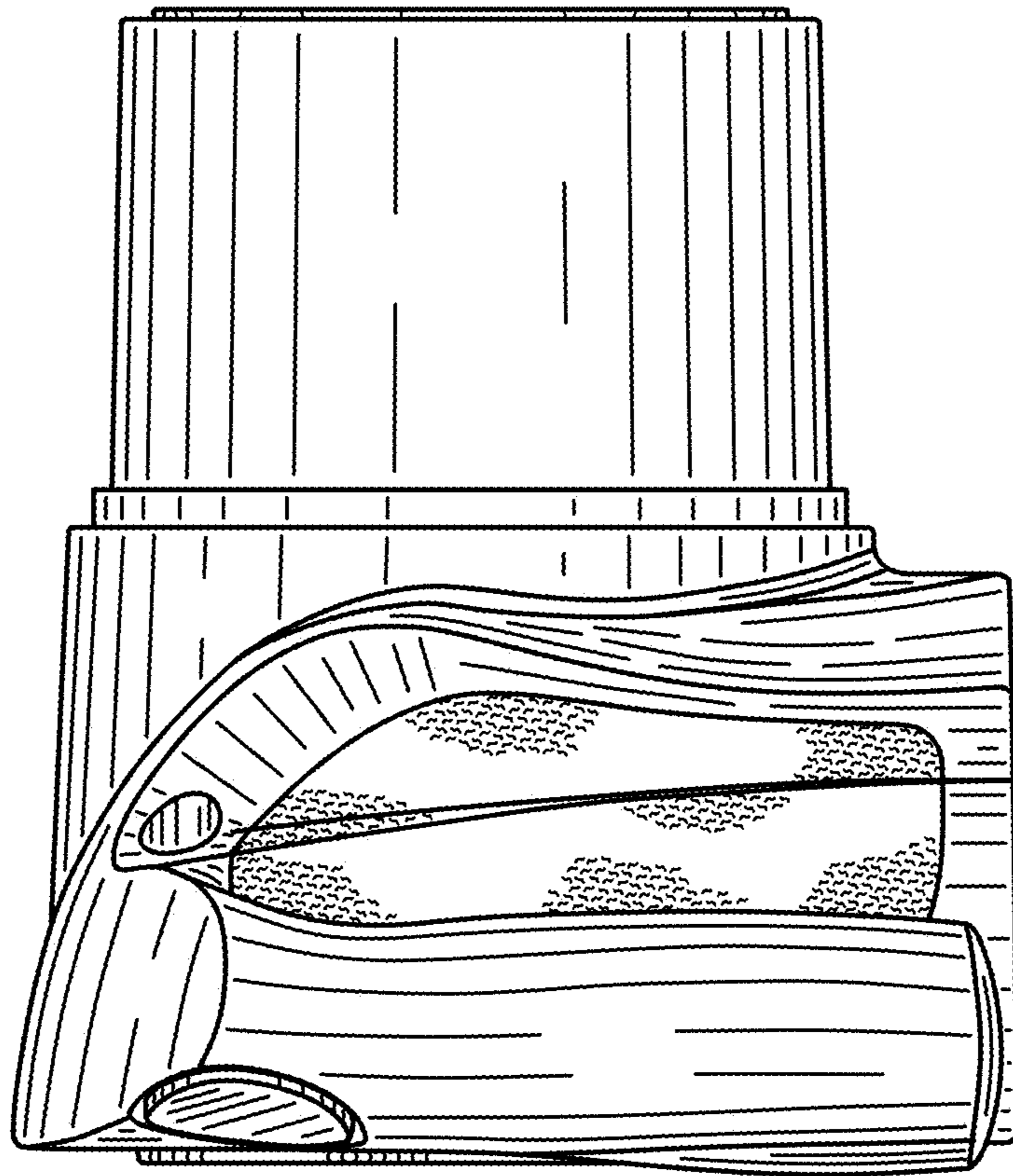


FIG. 5

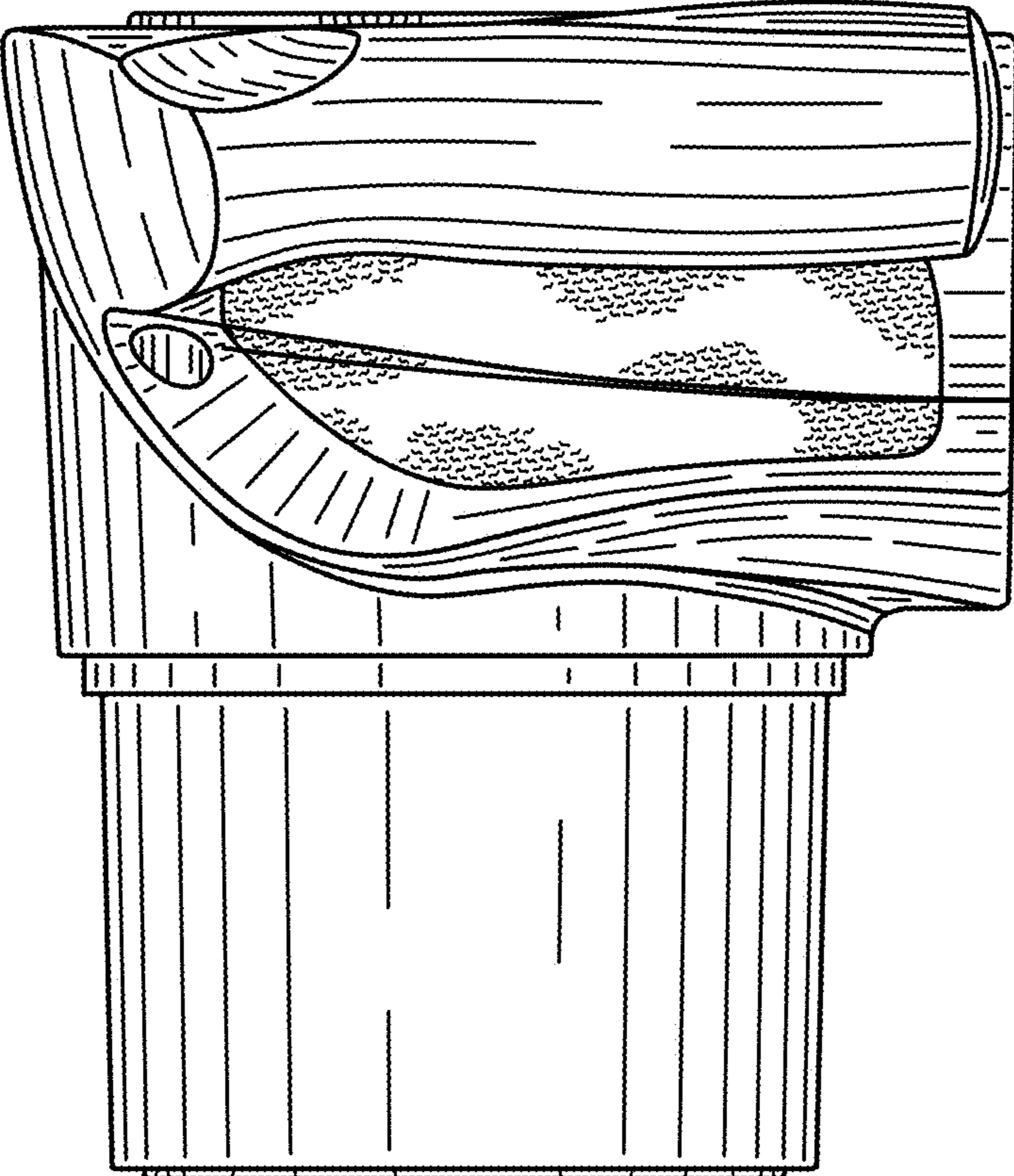


FIG. 6

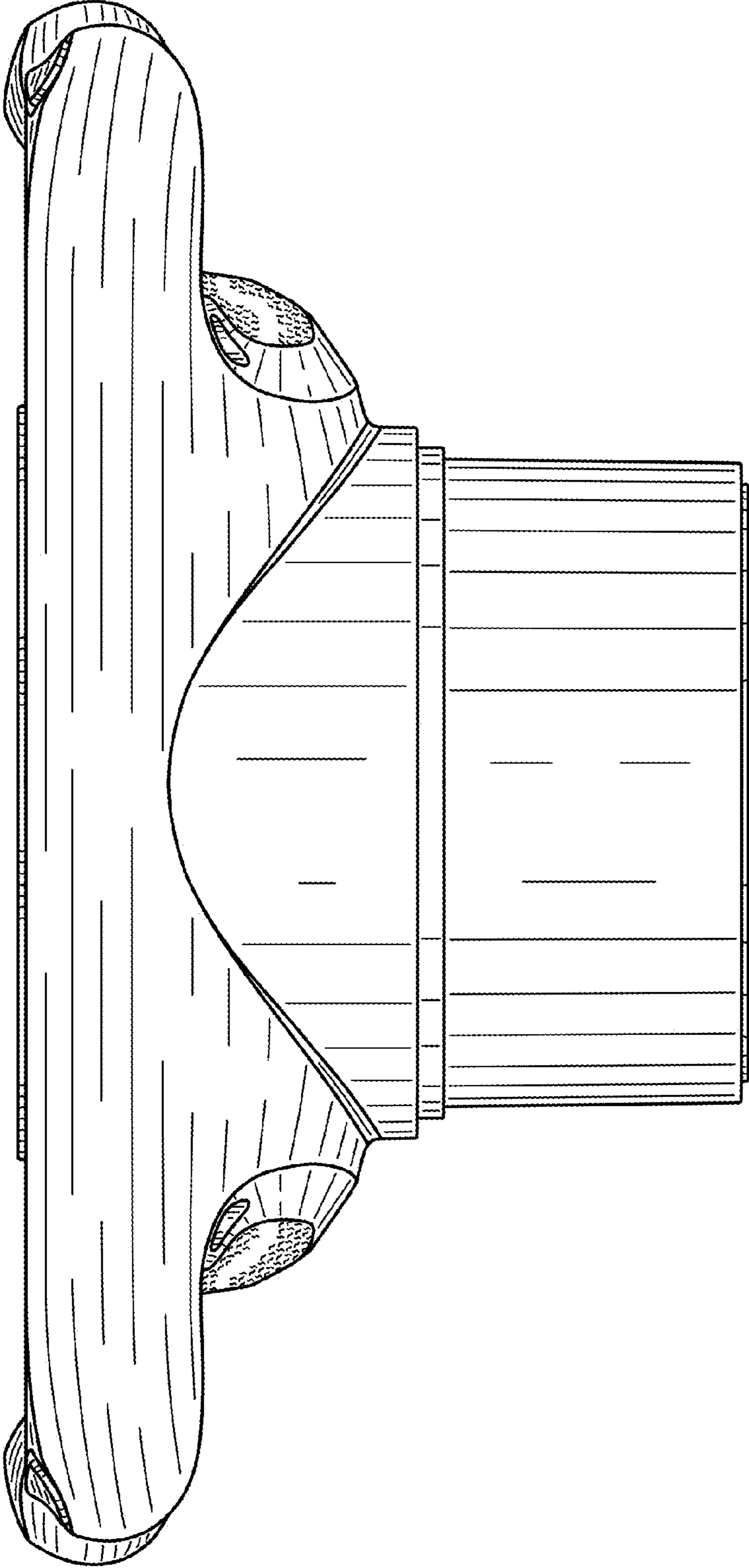


FIG. 7

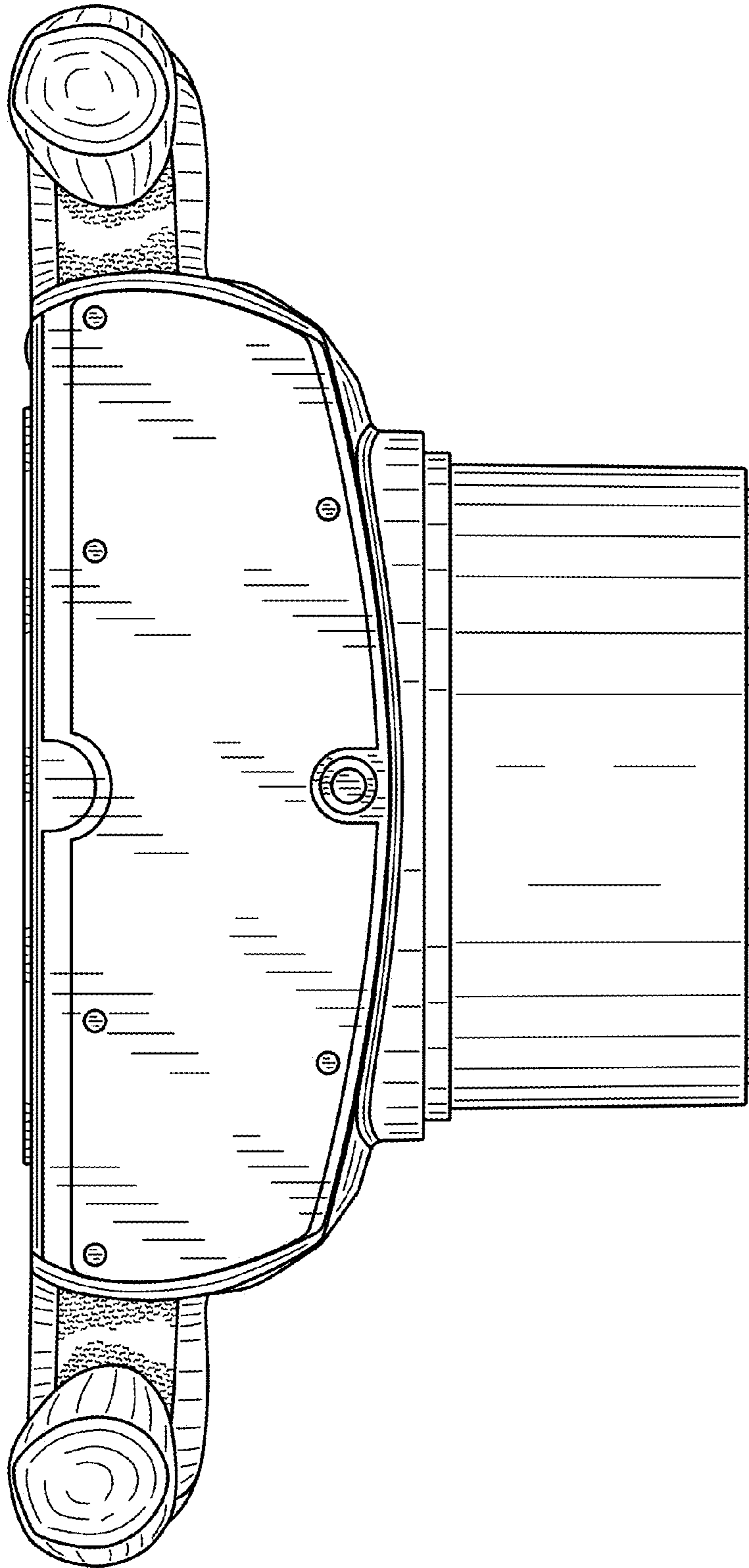


FIG. 8