



US00D758467S

(12) **United States Design Patent**  
**Zhang**

(10) **Patent No.:** **US D758,467 S**  
(45) **Date of Patent:** **\*\* Jun. 7, 2016**

(54) **CAMERA DEVICE**

(71) Applicant: **Shenzhen AEE Technology Co., Ltd,**  
Shenzhen, Guangdong (CN)

(72) Inventor: **Xianzhi Zhang,** Shenzhen (CN)

(73) Assignee: **SHENZHEN AEE TECHNOLOGY**  
**CO., LTD,** Shenzhen (CN)

(\*\*) Term: **14 Years**

(21) Appl. No.: **29/491,847**

(22) Filed: **May 27, 2014**

(30) **Foreign Application Priority Data**

Dec. 2, 2013 (CN) ..... 2013 3 0593288

(51) **LOC (10) Cl.** ..... **16-01**

(52) **U.S. Cl.**  
USPC ..... **D16/202**

(58) **Field of Classification Search**

USPC ..... D16/200, 202–206, 208–209, 212, 218,  
D16/219; 348/373–376; 396/448, 535,  
396/539–541

CPC ..... G03B 15/03; G03B 17/02; G03B 17/04;  
G03B 17/56; G03B 19/04; H04N 5/2251;  
H04N 5/2252; H04N 5/2253; H04N 5/2254;  
H04N 2101/00

See application file for complete search history.

(56) **References Cited**

U.S. PATENT DOCUMENTS

D407,098	S	*	3/1999	Goto et al.	.....	D16/202
D418,851	S	*	1/2000	Goto et al.	.....	D16/202
D421,761	S	*	3/2000	Chang et al.	.....	D16/209
D430,183	S	*	8/2000	Ito	.....	D16/202
D507,586	S	*	7/2005	Nakamura	.....	D16/202
D516,599	S	*	3/2006	Nakamura	.....	D16/202
D524,344	S	*	7/2006	Imai	.....	D16/202
D524,837	S	*	7/2006	Chen et al.	.....	D16/202
D525,638	S	*	7/2006	Nakamura	.....	D16/202
D606,104	S	*	12/2009	Sato	.....	D16/202
8,537,275	B2	*	9/2013	Odagaki	.....	348/374
D696,326	S	*	12/2013	Sato	.....	D16/200
2011/0097070	A1	*	4/2011	Kurokawa et al.	.....	396/448

\* cited by examiner

*Primary Examiner* — Susan E Krakower  
*Assistant Examiner* — Ramzi Almatrahi

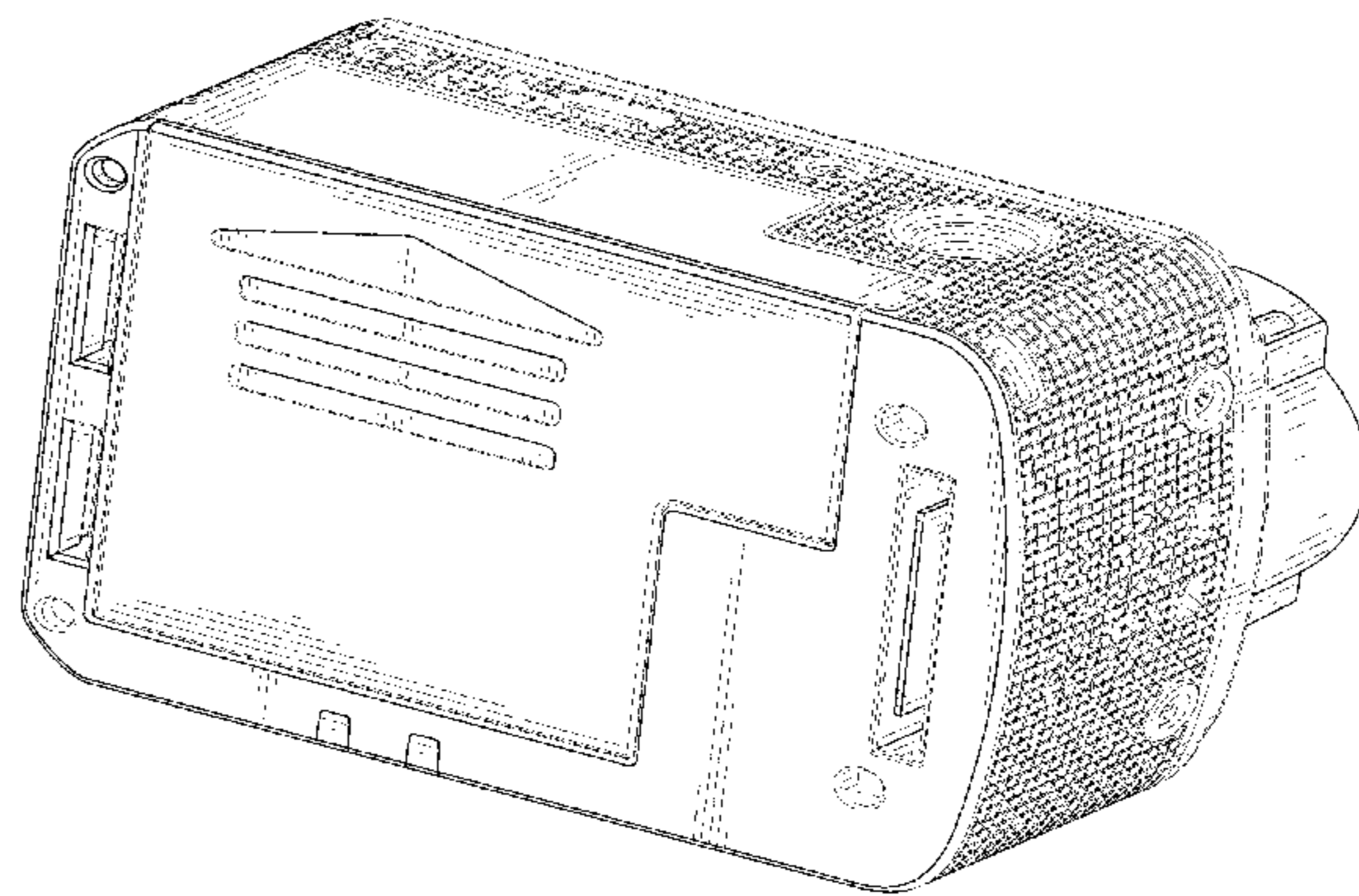
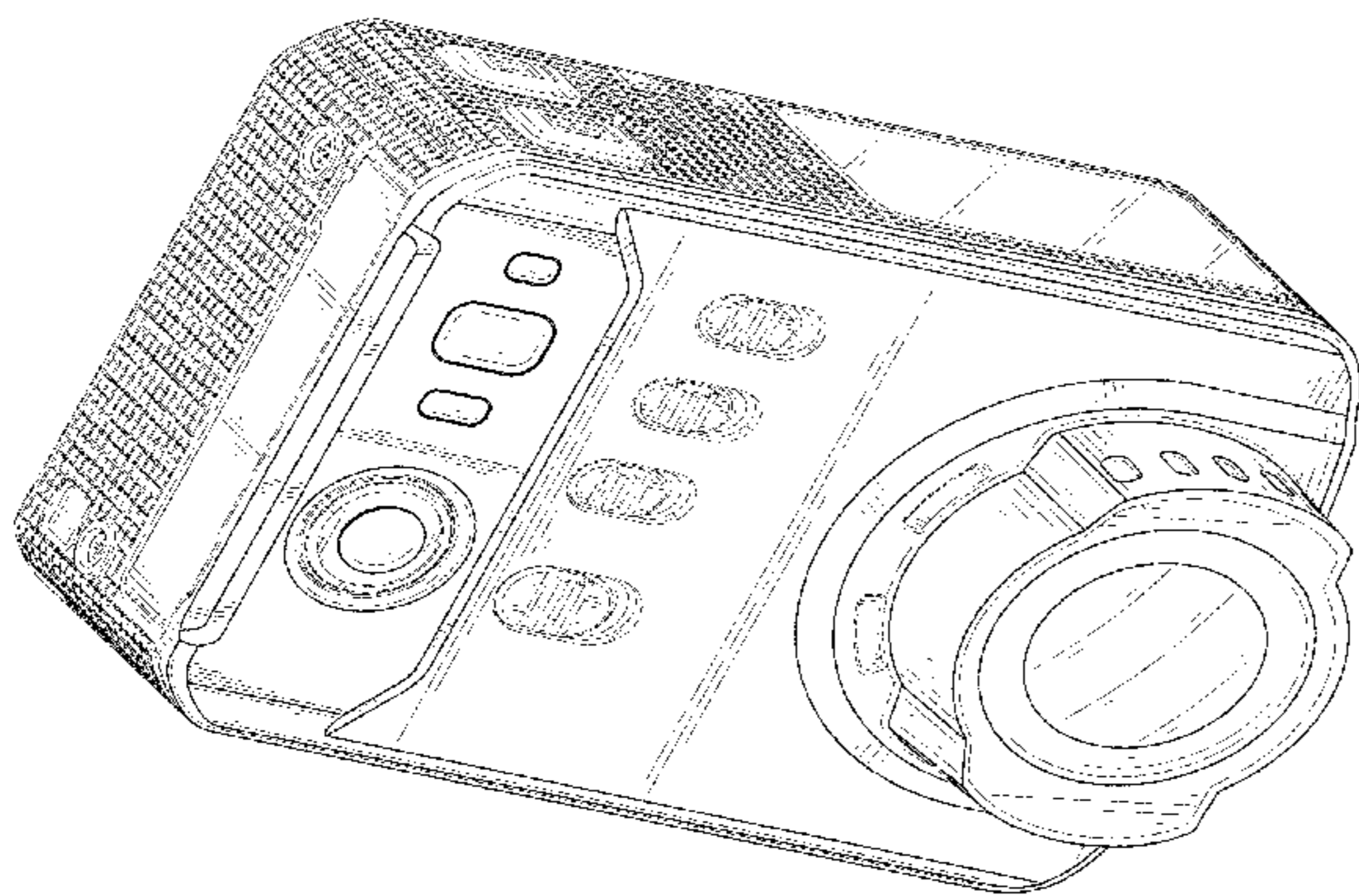
(57) **CLAIM**

The ornamental design for a camera device, as shown and described.

**DESCRIPTION**

FIG. 1 is a front elevation view of a camera device showing my new design;  
FIG. 2 is a rear elevation view thereof;  
FIG. 3 is a left side elevation view thereof;  
FIG. 4 is a right side elevation view thereof;  
FIG. 5 is a top plan view thereof;  
FIG. 6 is a bottom plan view thereof;  
FIG. 7 is top, front and left side perspective view thereof; and,  
FIG. 8 is bottom, rear and right side perspective view thereof.

**1 Claim, 8 Drawing Sheets**



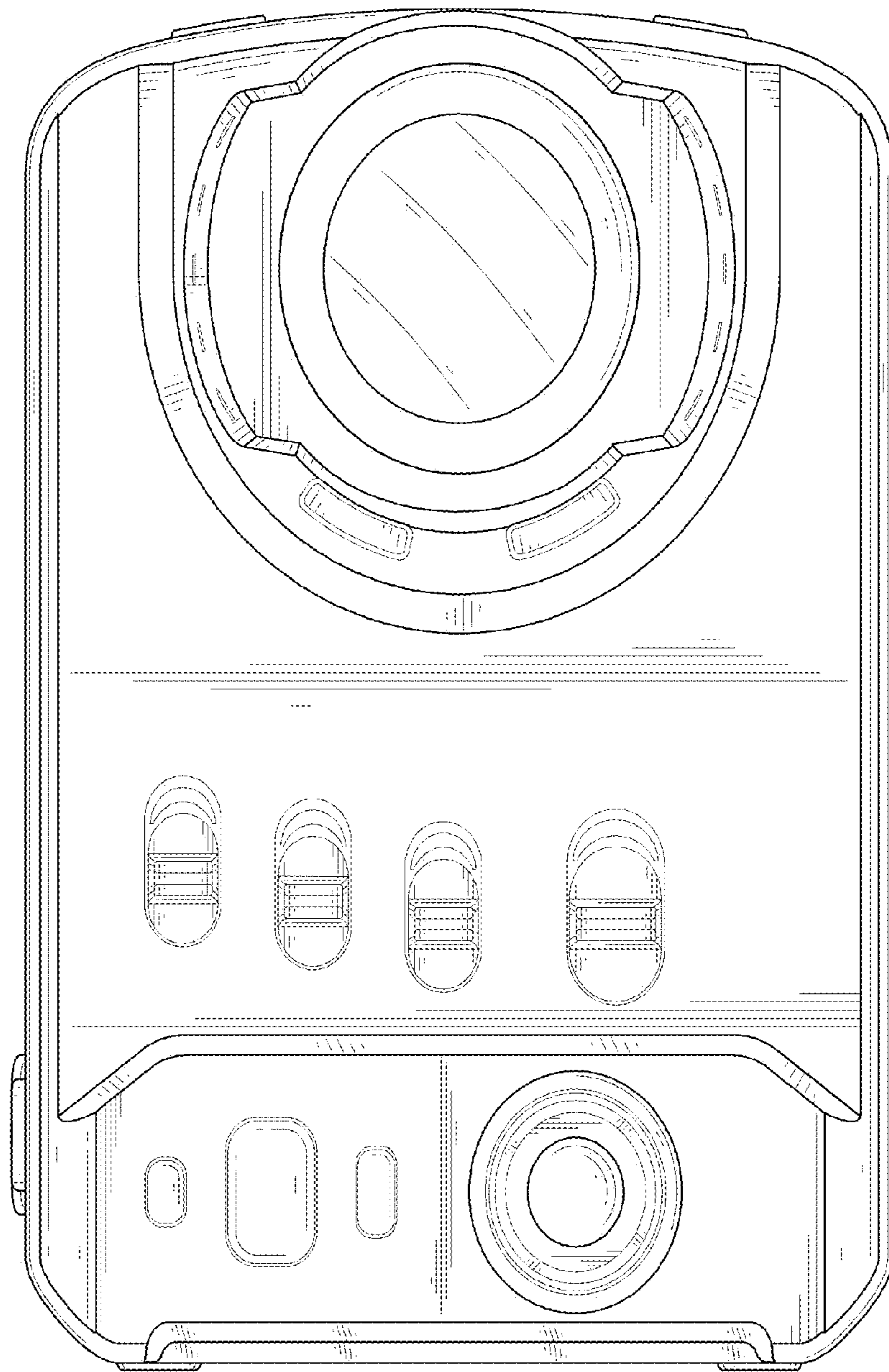


FIG. 1

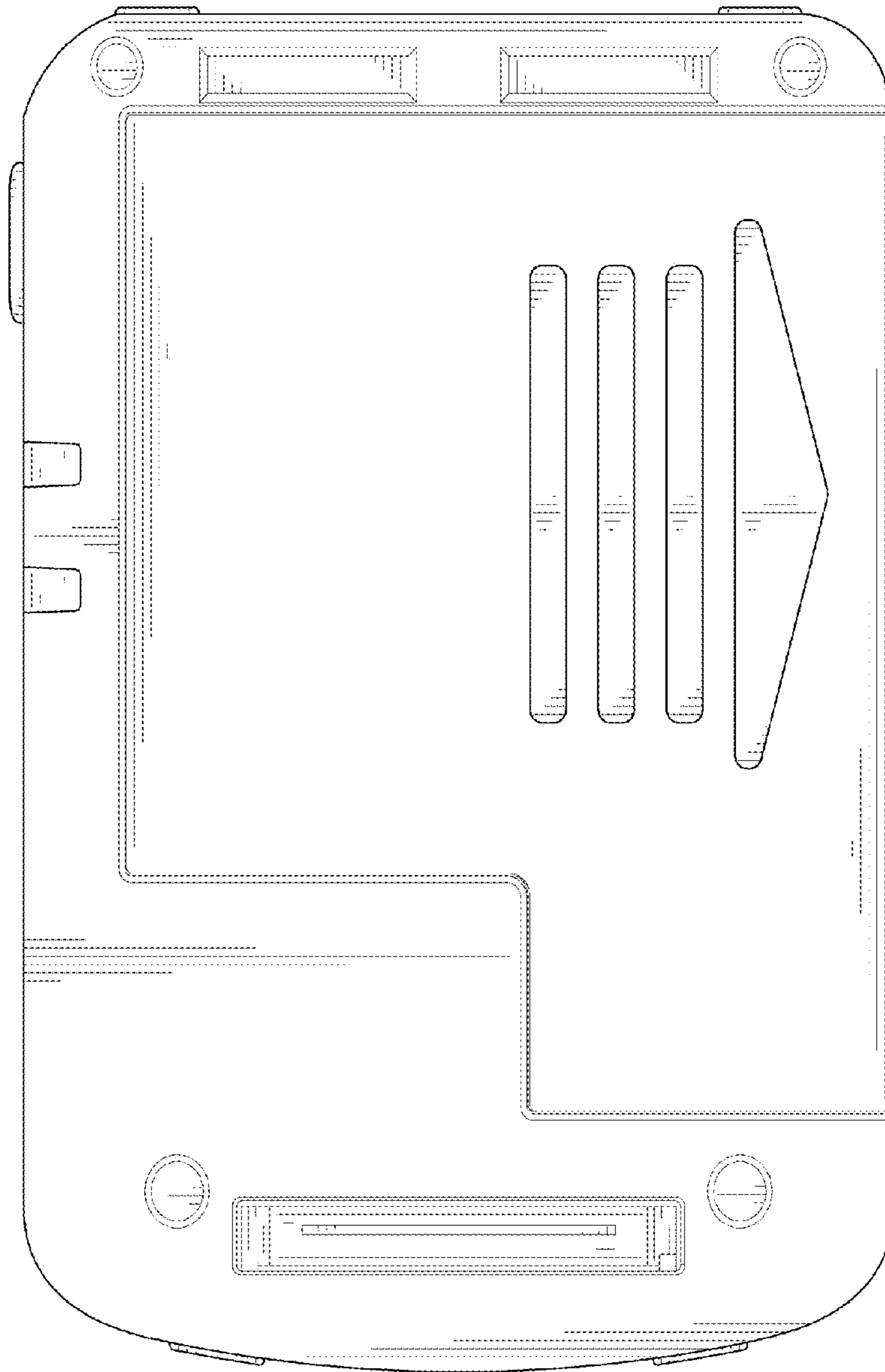


FIG. 2

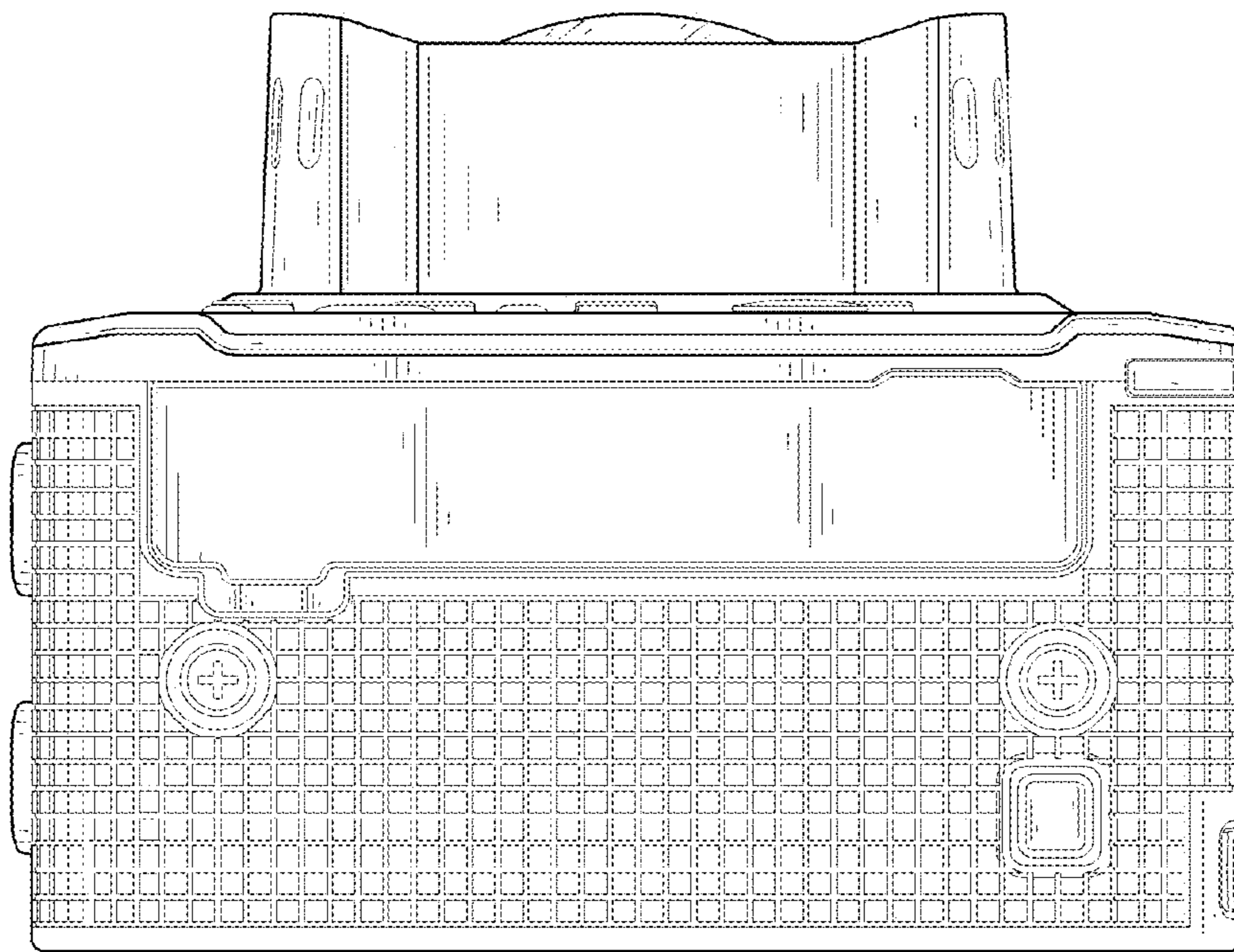


FIG. 3

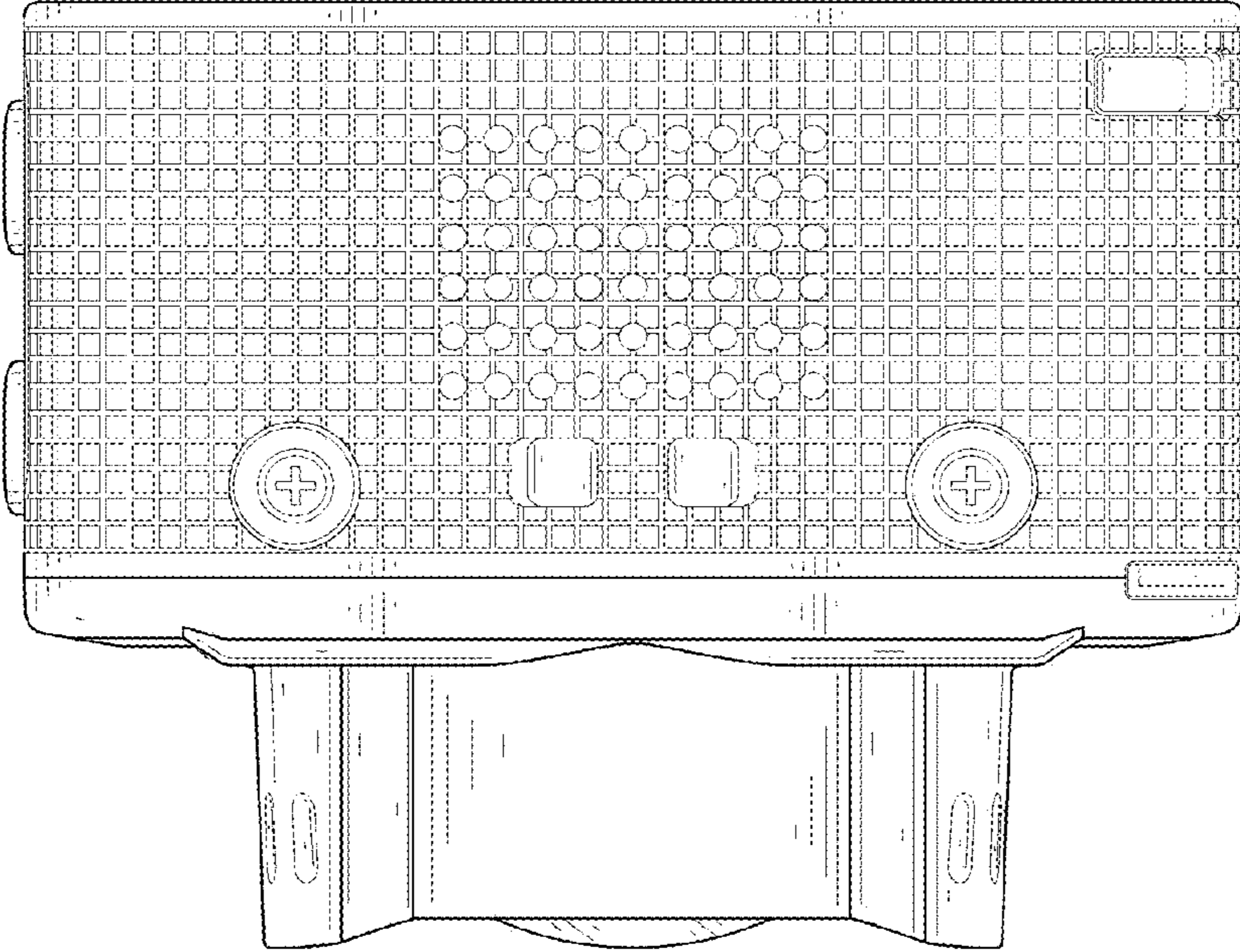


FIG. 4

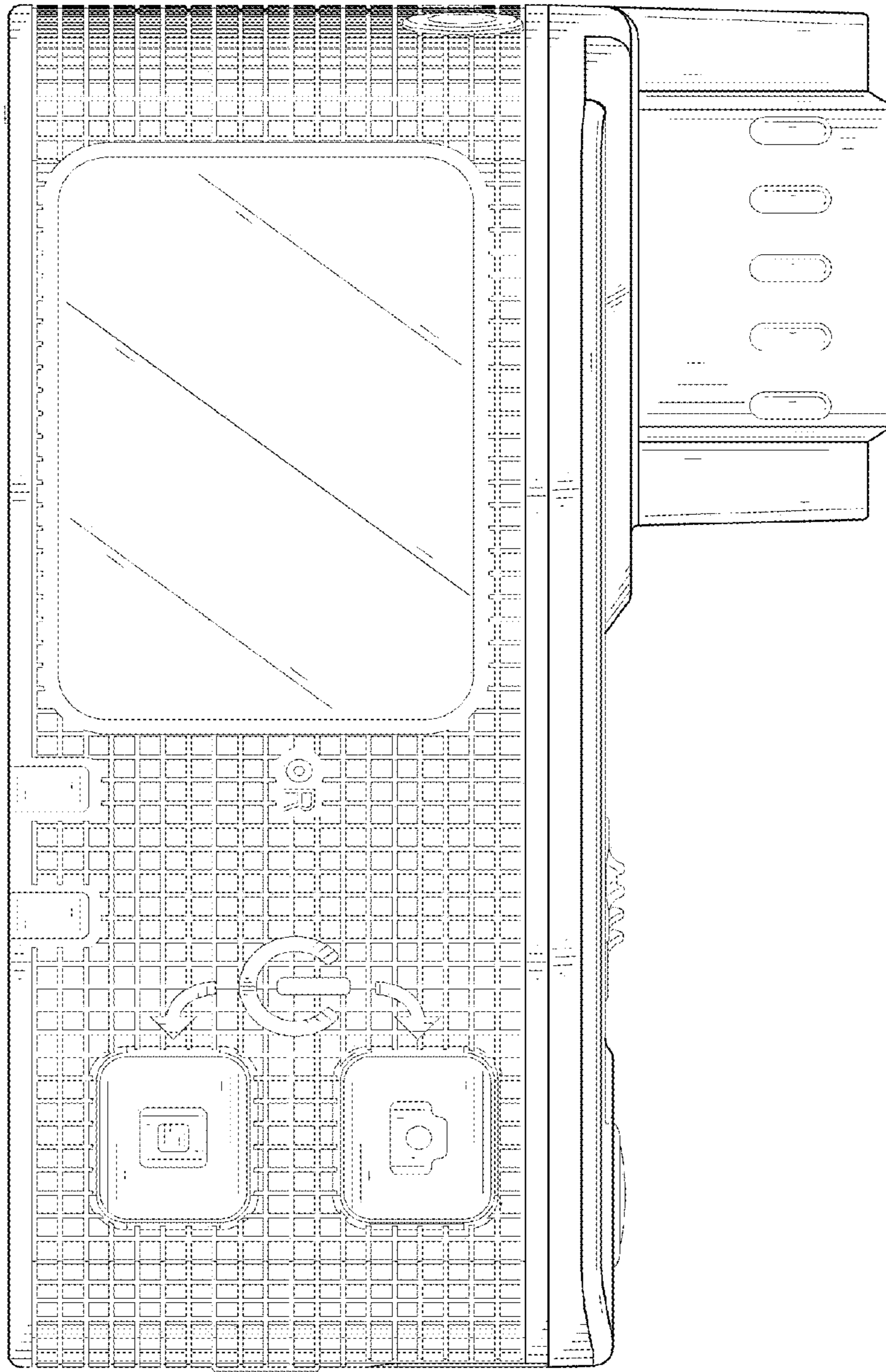


FIG. 5

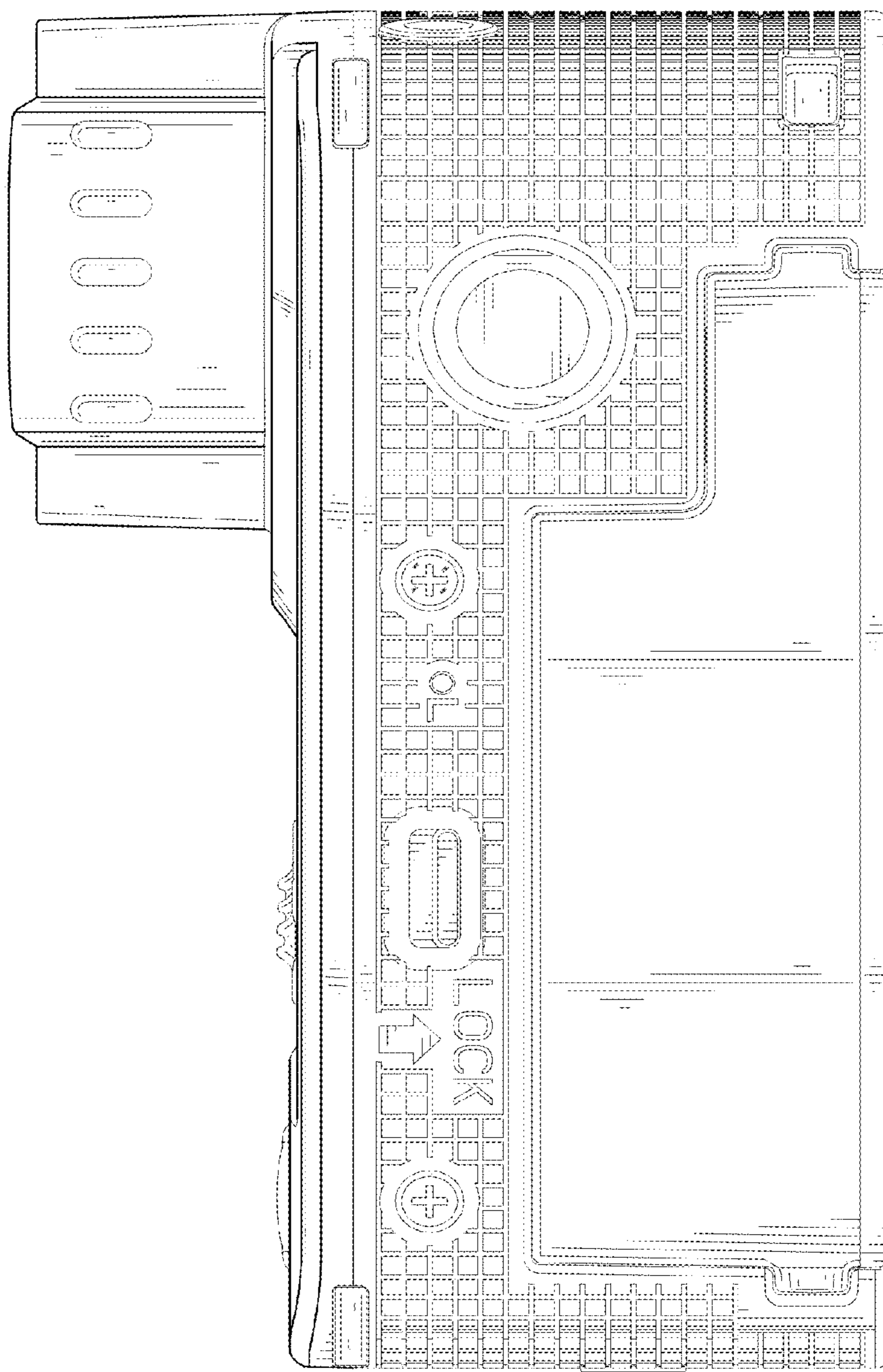


FIG. 6

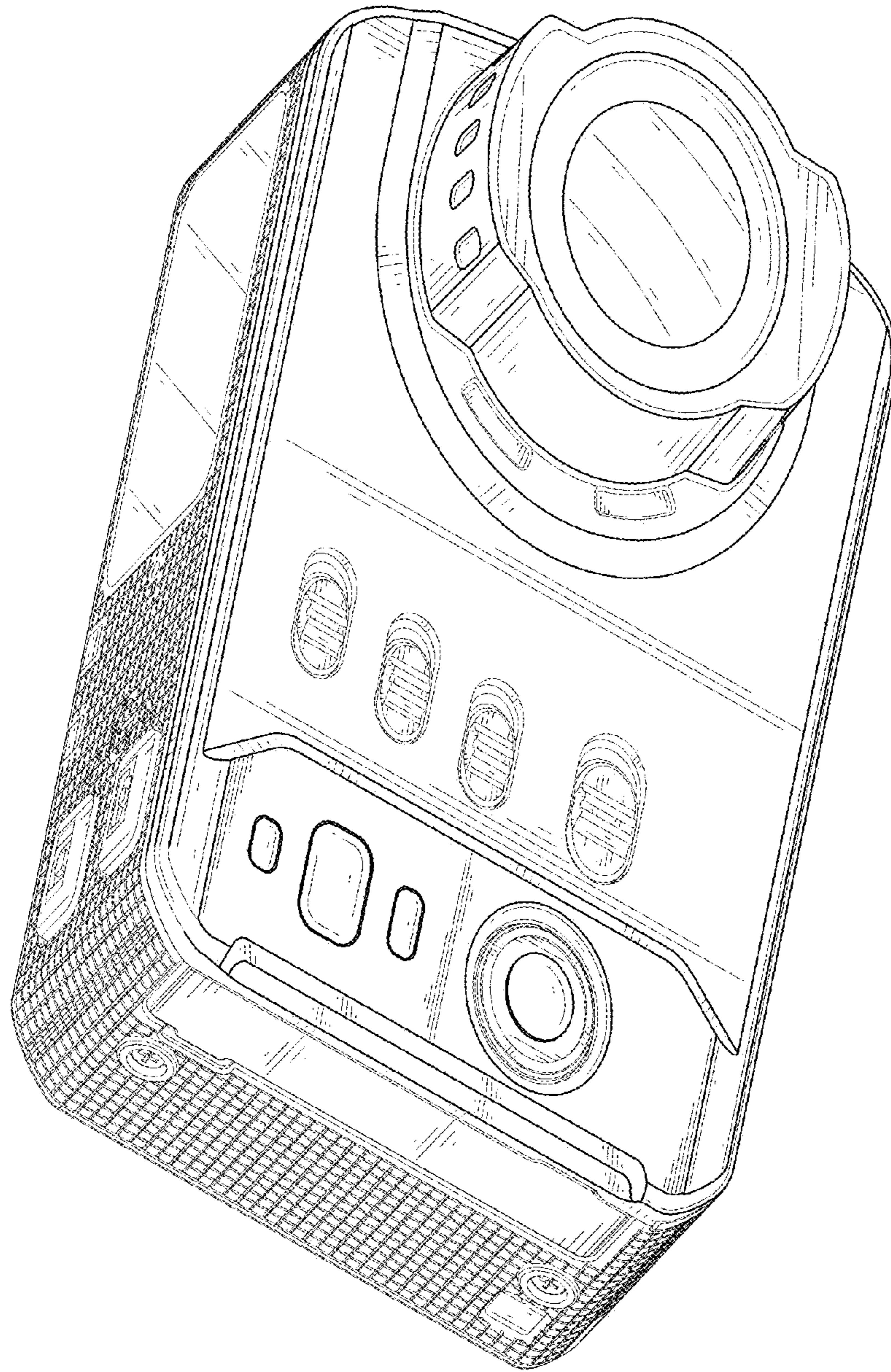


FIG. 7



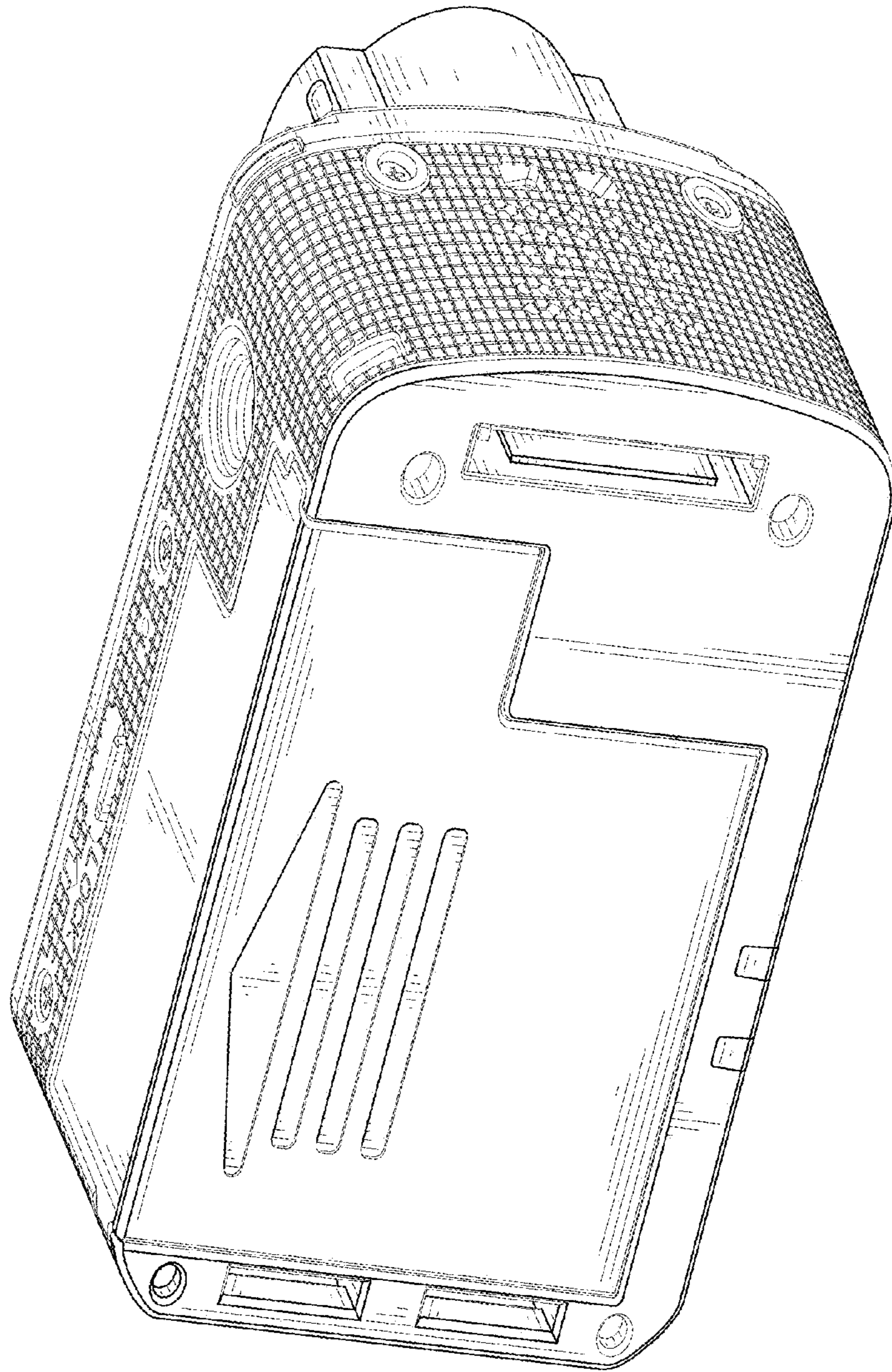


FIG. 8