



US00D758465S

(12) **United States Design Patent**  
**Matuschek et al.**

(10) **Patent No.:** **US D758,465 S**  
(45) **Date of Patent:** **\*\* Jun. 7, 2016**

(54) **SURGICAL MICROSCOPE**

(56) **References Cited**

(71) Applicant: **Carl Zeiss Meditec AG**, Jena (DE)

U.S. PATENT DOCUMENTS

(72) Inventors: **Walter Matuschek**, Aalen (DE);  
**Graham Keevy**, Aalen (DE); **Christian Siegel**, Aalen (DE)

D634,344	S	*	3/2011	Nusser et al.	.....	D16/131
D637,219	S	*	5/2011	Nusser et al.	.....	D16/131
D649,992	S	*	12/2011	Nusser	.....	D16/131
D685,405	S	*	7/2013	Butler et al.	.....	D16/131
2003/0230698	A1	*	12/2003	Strauss et al.	.....	248/648
2004/0125437	A1	*	7/2004	Schmidt et al.	.....	359/368
2005/0041282	A1	*	2/2005	Rudolph et al.	.....	359/368
2009/0219613	A1	*	9/2009	Enge	.....	359/384
2014/0055850	A1	*	2/2014	Doi et al.	.....	359/384

(73) Assignee: **Carl Zeiss Meditec AG**, Jena (DE)

(\*\*) Term: **14 Years**

\* cited by examiner

(21) Appl. No.: **29/486,262**

*Primary Examiner* — Derrick Holland

(22) Filed: **Mar. 27, 2014**

*Assistant Examiner* — Lauren Calve

(30) **Foreign Application Priority Data**

(74) *Attorney, Agent, or Firm* — Walter Ottesen, P.A.

Sep. 27, 2013 (EM) ..... 001385298-0001

(51) **LOC (10) CL.** ..... **16-06**

(57) **CLAIM**

The ornamental design for a surgical microscope, as shown and described.

(52) **U.S. CL.**

**DESCRIPTION**

USPC ..... **D16/131**

(58) **Field of Classification Search**

USPC ..... D16/130, 131; 359/368, 370, 381, 382,  
359/384, 386, 824; 248/122.1, 123.11,  
248/274.1, 280.11, 331

CPC ..... G02B 7/023; G02B 21/06; G02B 21/24;  
G02B 21/16; G02B 7/04; G02B 21/0012;  
G02B 21/002; G02B 7/001; G02B 21/26;  
G02B 21/365; G02B 21/241; G02B 21/14;  
G02B 21/00; G02B 21/082; G02B 21/008;  
G02B 21/0088; G02B 21/0024; G02B  
21/0016; G02B 27/62; G02B 21/0044; G02B  
21/0004; G02B 21/34; G02B 7/1824; G02B  
7/004; G02B 21/362; G02B 25/005; G02B  
21/025; G02B 3/00; G02B 13/009; G02B  
21/20; G02B 21/0092; G02B 27/025; A61B  
19/5223

FIG. 1 is a perspective view of a surgical microscope of our new design;

FIG. 2 is a front elevation view of the surgical microscope of FIG. 1;

FIG. 3 is a rear elevation view of the surgical microscope of FIG. 1;

FIG. 4 is a right side elevation view of the surgical microscope of FIG. 1;

FIG. 5 is a left side elevation view of the surgical microscope of FIG. 1;

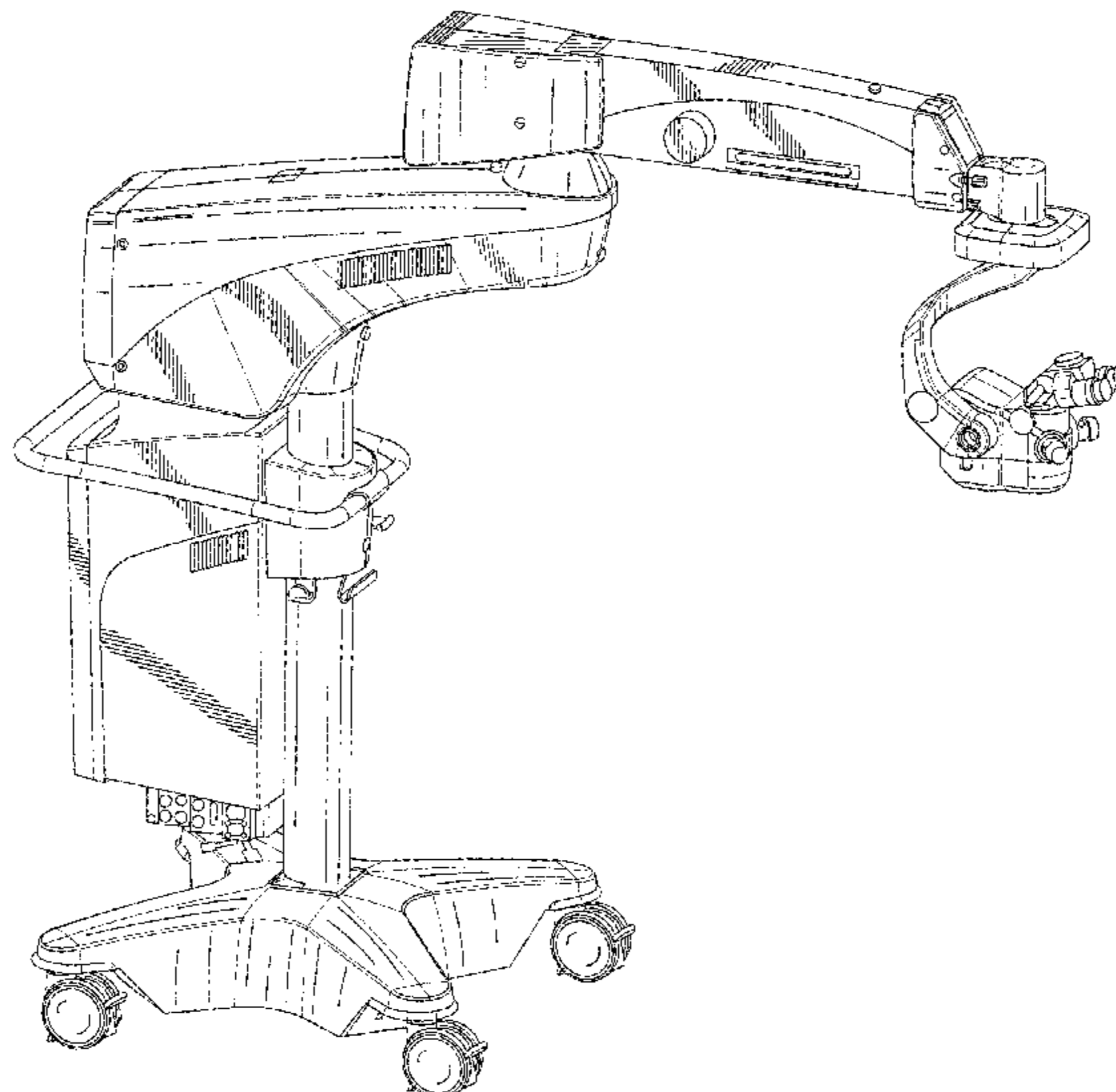
FIG. 6 is a top plan view of the surgical microscope of FIG. 1; and,

FIG. 7 is a bottom plan view of the surgical microscope of FIG. 1.

The broken lines shown represent unclaimed subject matter and form no part of the claimed design.

See application file for complete search history.

**1 Claim, 7 Drawing Sheets**



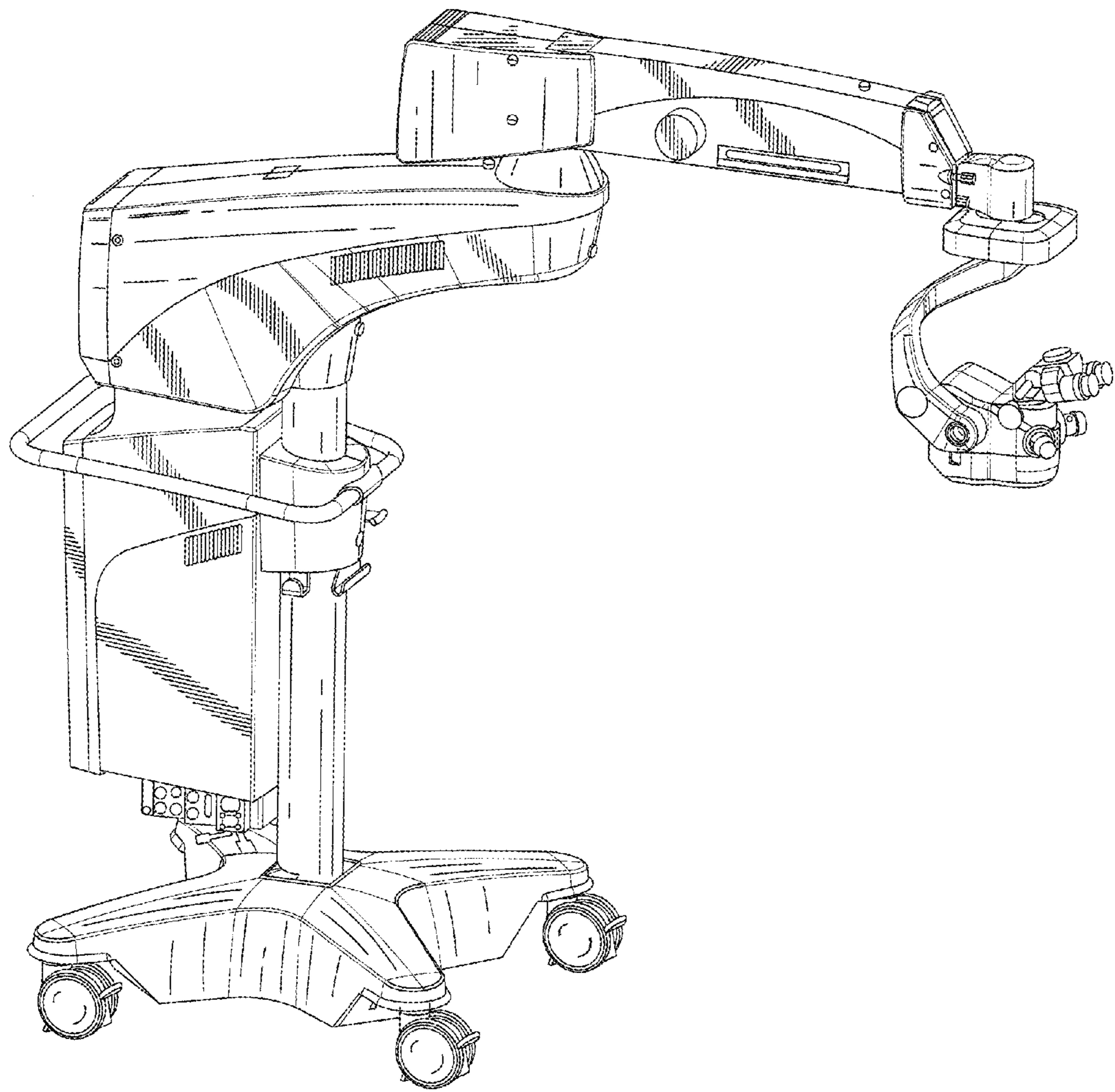


FIG. 1

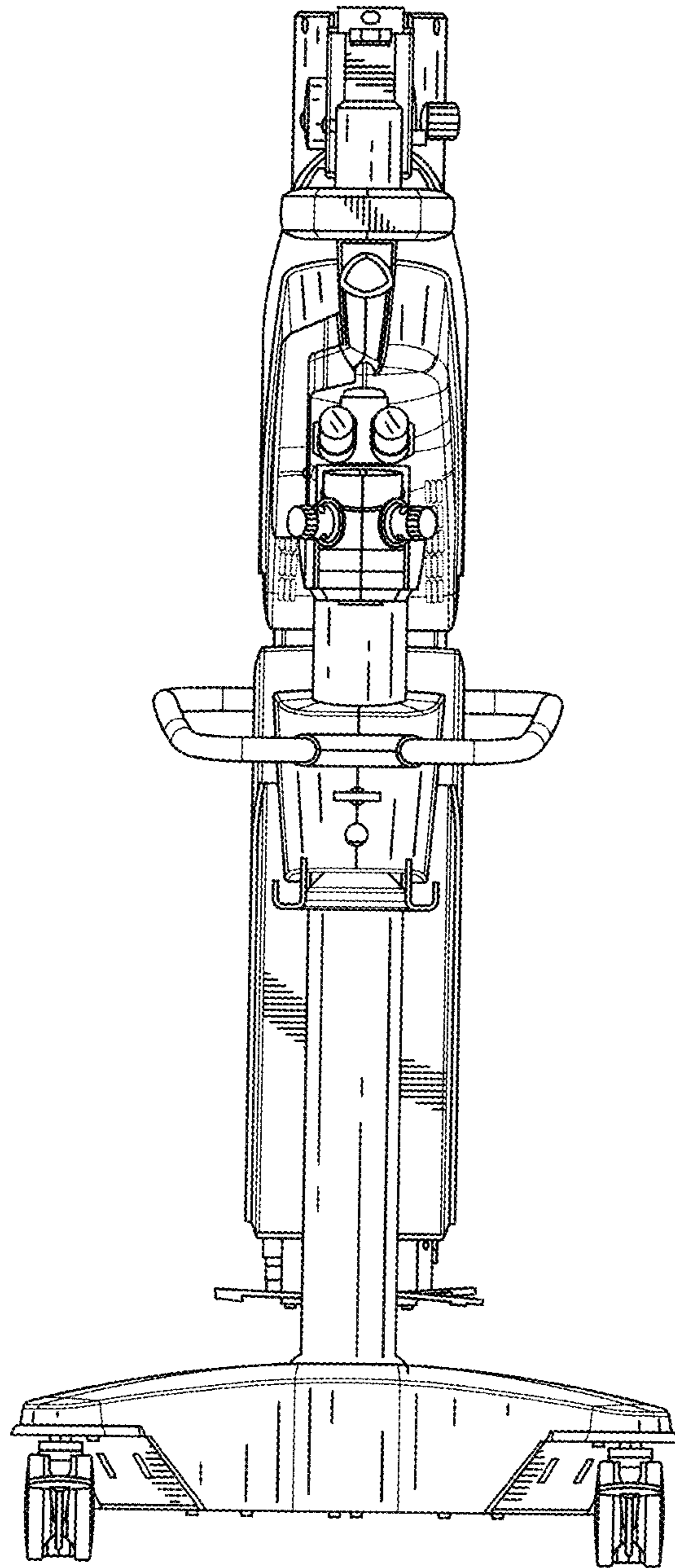


FIG. 2

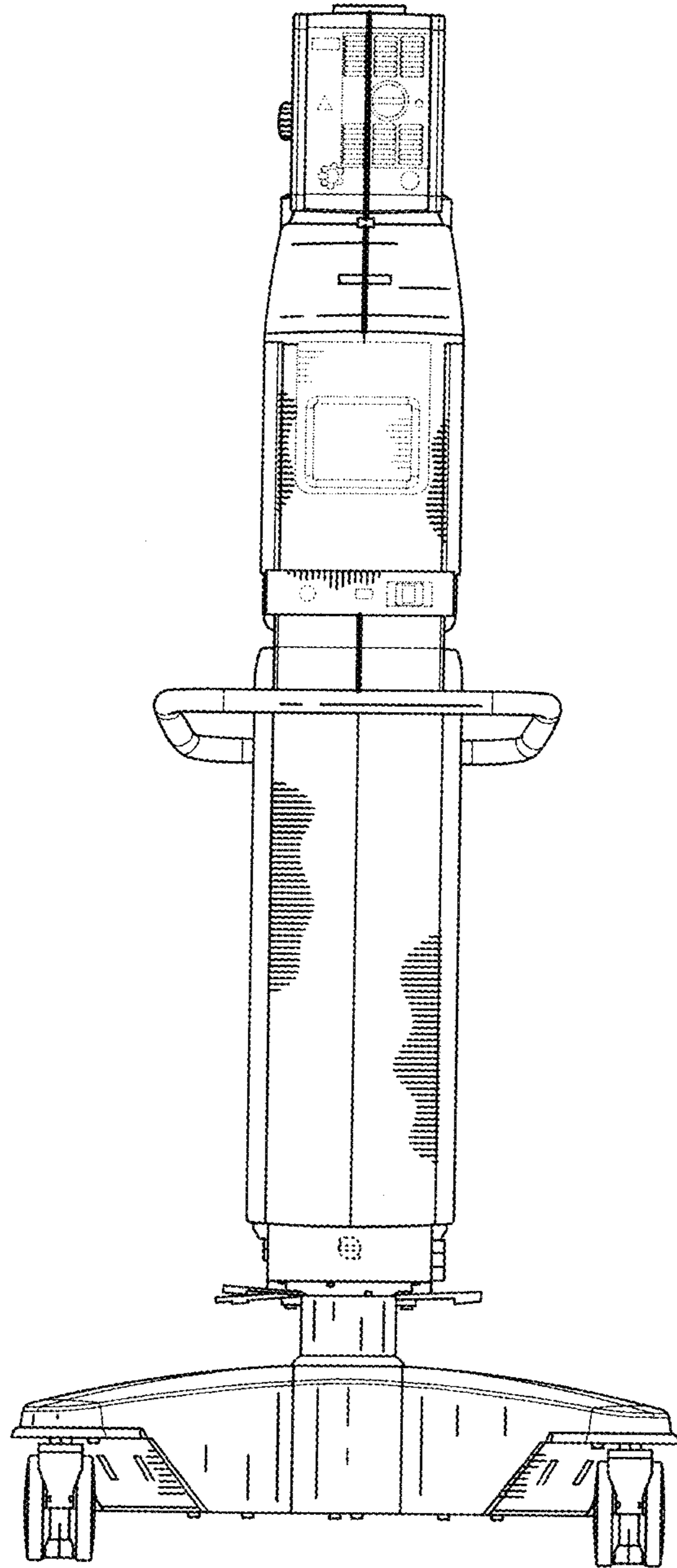


FIG. 3

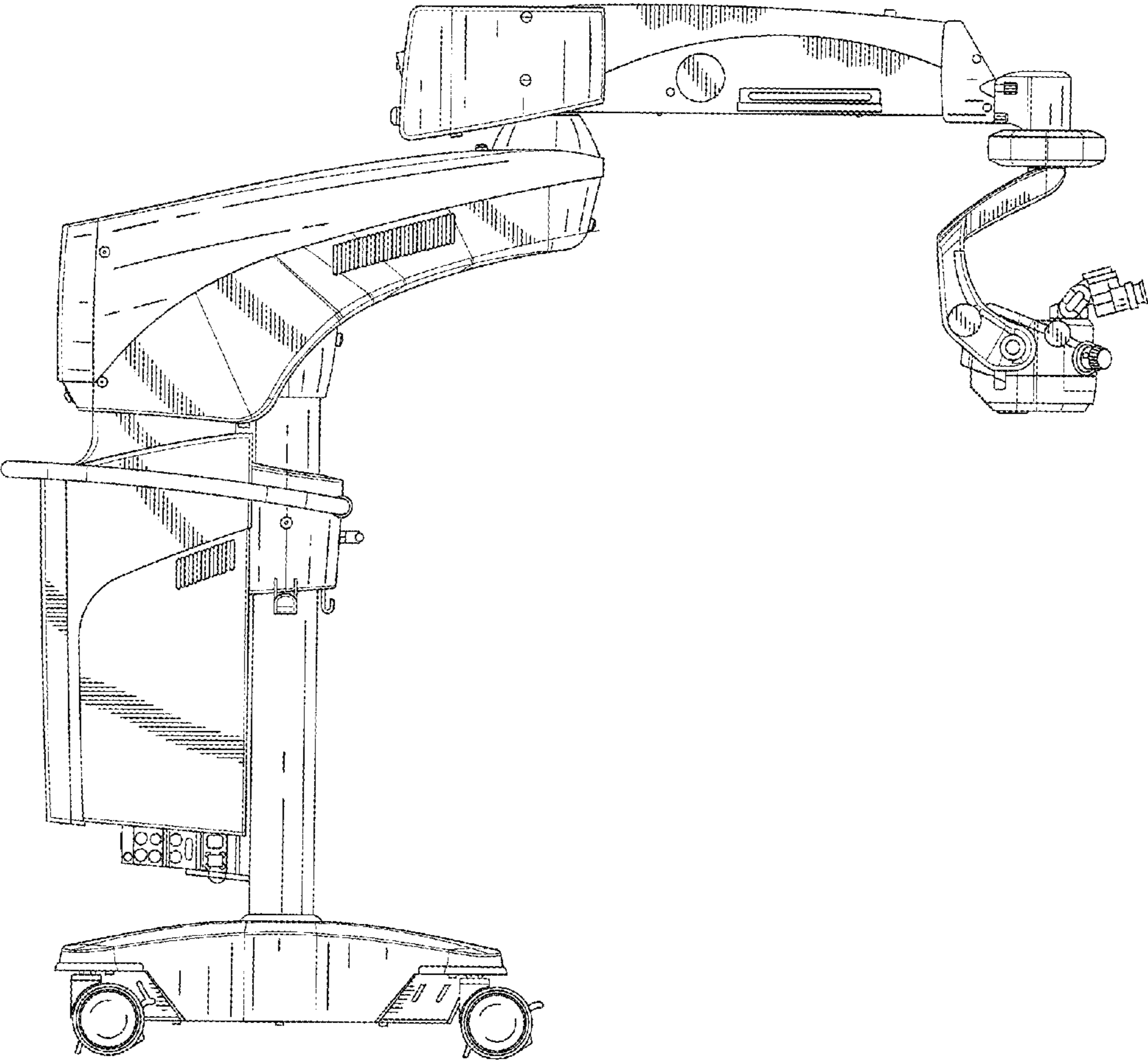


FIG. 4

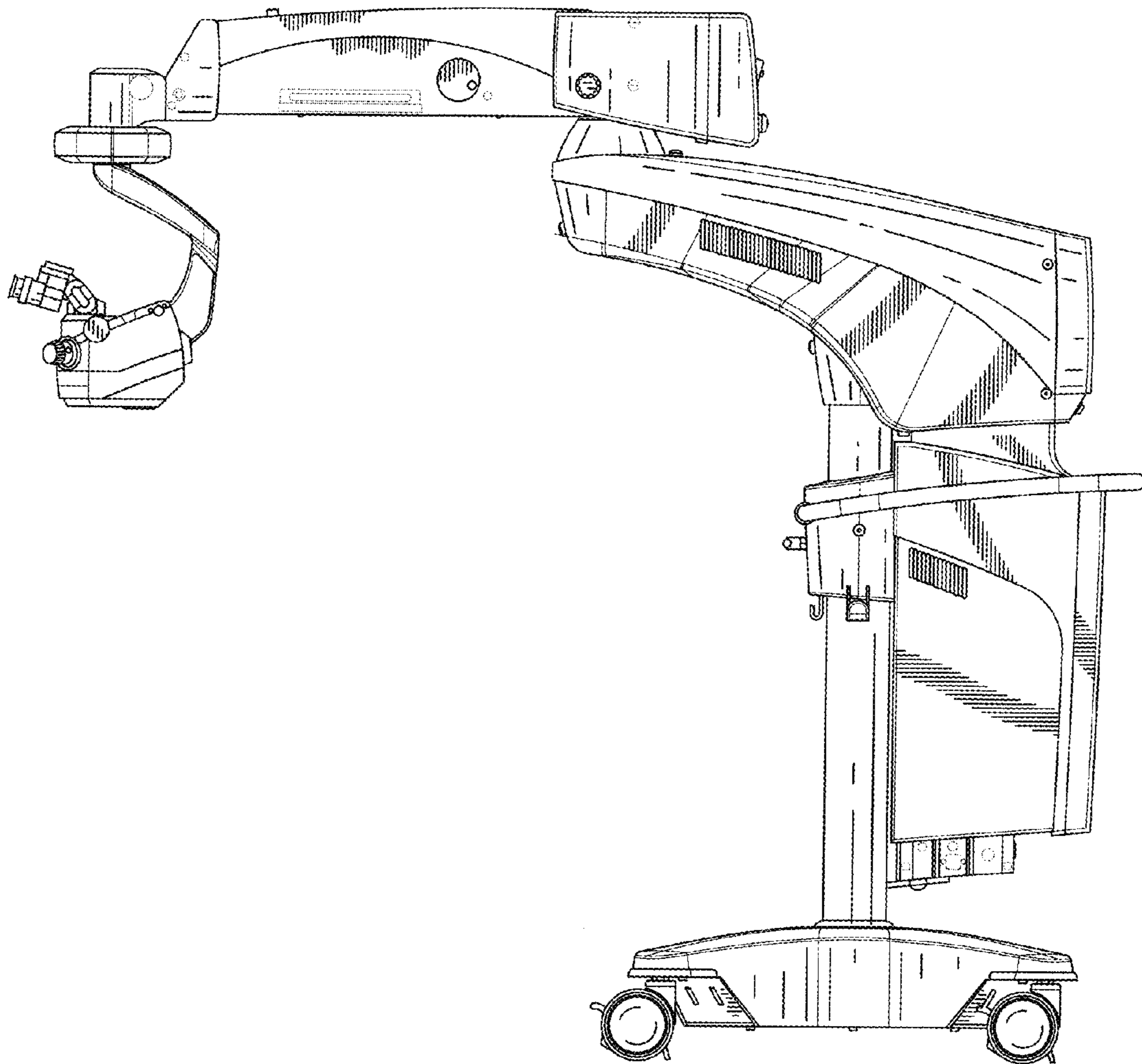


FIG. 5

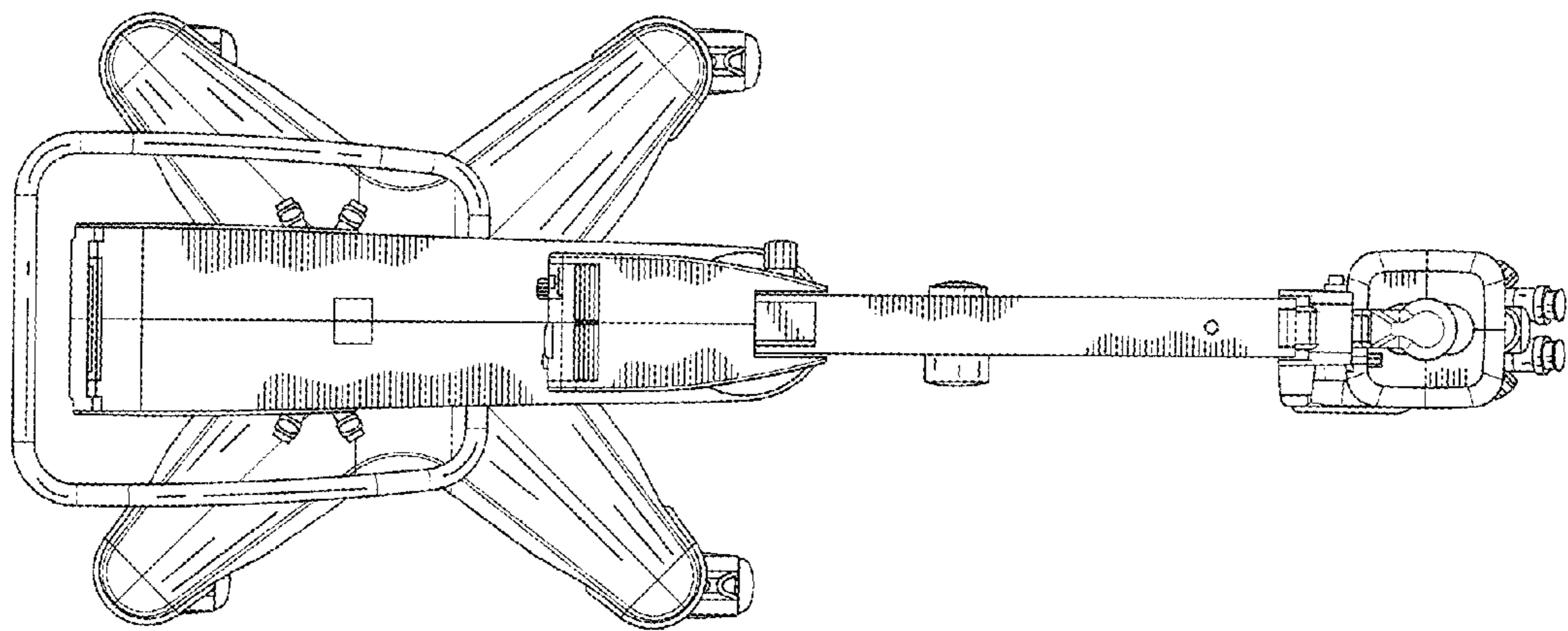


FIG. 6

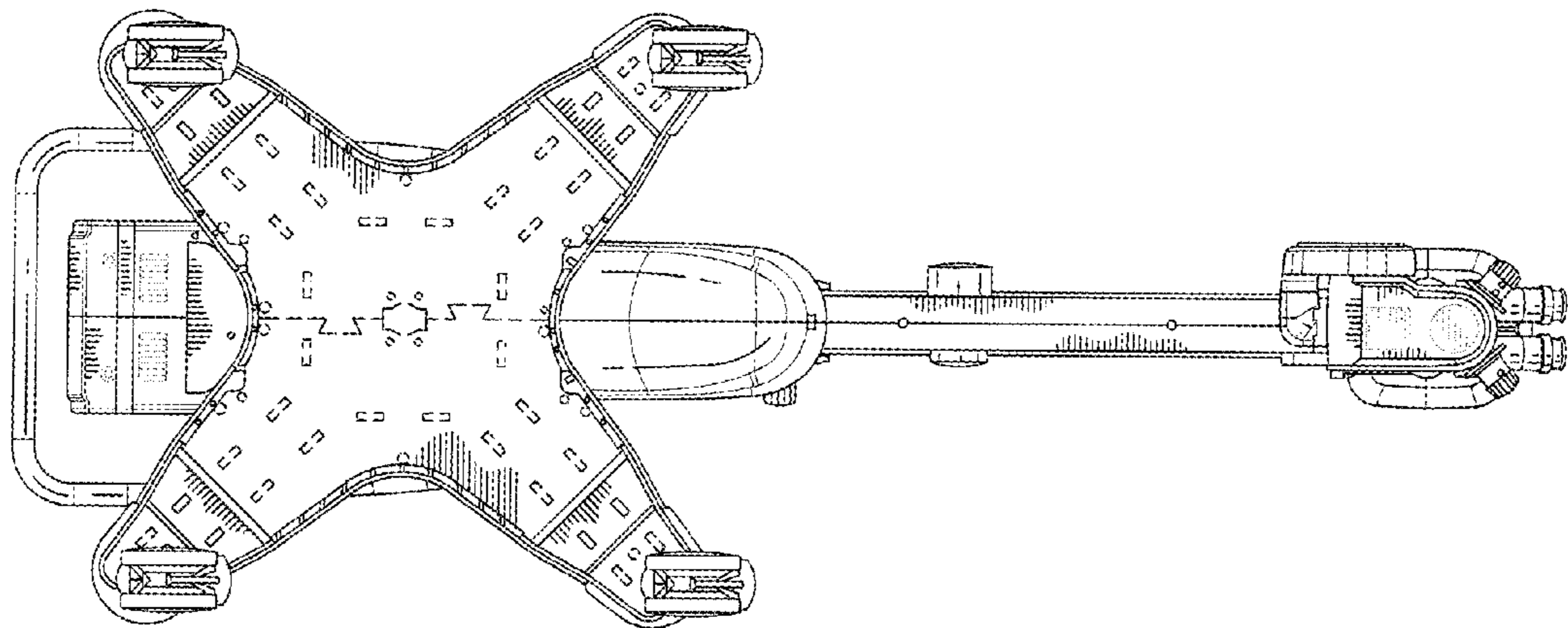


FIG. 7