



US00D758464S

(12) **United States Design Patent**  
**Bressanuti et al.**

(10) **Patent No.:** **US D758,464 S**  
(45) **Date of Patent:** **\*\* Jun. 7, 2016**

(54) **OPTICAL BLOCK**  
(71) Applicant: **Honeywell International Inc.,**  
Morristown, NJ (US)  
(72) Inventors: **Massimo Bressanuti**, Sesto al Reghena  
(IT); **Mauro Miheli**, Trieste (IT);  
**Andrea Chiatti**, Trieste (IT)

D547,685 S \* 7/2007 Yorinaga ..... D10/106.1  
7,268,882 B2 \* 9/2007 Fischer ..... G01N 21/0303  
250/343  
7,697,140 B2 4/2010 Iguchi et al.  
7,948,627 B2 5/2011 Iguchi et al.  
8,743,366 B2 6/2014 Numao et al.  
2012/0262714 A1 10/2012 Gonzales

(Continued)

(73) Assignee: **LIFE SAFETY DISTRIBUTION AG,**  
Hegnau (CH)

FOREIGN PATENT DOCUMENTS

CN 103597525 A 2/2014  
JP 2013-54455 3/2013

(Continued)

(\*\*) Term: **14 Years**

OTHER PUBLICATIONS

(21) Appl. No.: **29/495,063**

English-language translation of patent publication CN 103597525 A,  
publication date Feb. 19, 2014, patentee Fenwal Controls of Japan,  
Ltd.

(Continued)

(22) Filed: **Jun. 26, 2014**

(51) **LOC (10) Cl.** ..... **10-05**

(52) **U.S. Cl.** ..... **D16/130; D10/106.1**  
USPC ..... **D16/130; D10/106.1**

(58) **Field of Classification Search**  
USPC ..... D10/52, 53, 60, 106.1, 106.2, 106.5,  
D10/116.1, 121; D16/130; 250/206, 396 R,  
250/397, 398, 573; 340/693.6; 348/345,  
348/373; 356/338, 348  
CPC ..... G03B 43/00; G03B 17/12; B08B 29/183  
See application file for complete search history.

*Primary Examiner* — Susan Bennett Hattan  
*Assistant Examiner* — Leanne Was  
(74) *Attorney, Agent, or Firm* — Husch Blackwell LLP

(57) **CLAIM**  
We claim the ornamental design for an optical block, as  
shown and described.

(56) **References Cited**

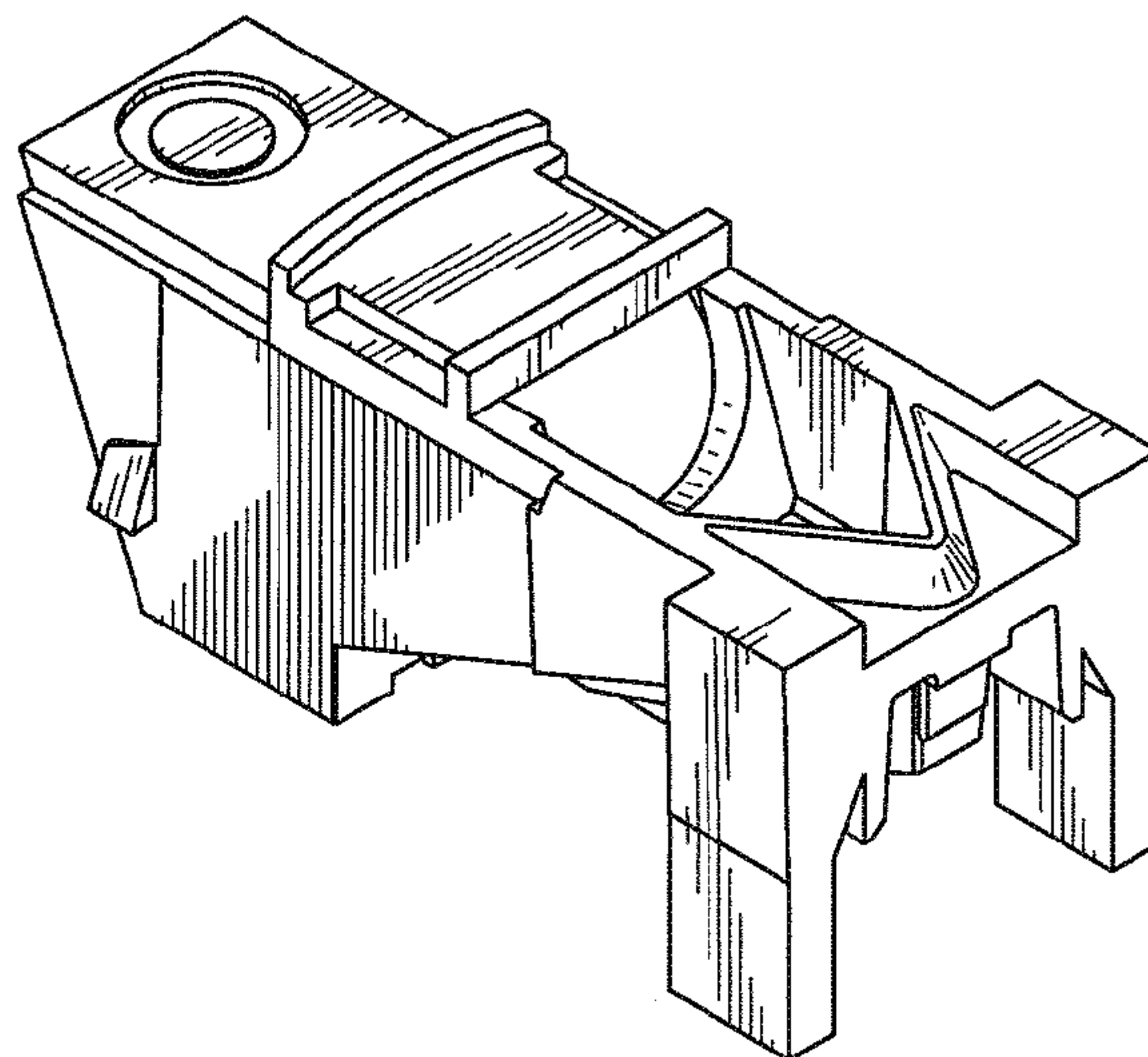
**DESCRIPTION**

U.S. PATENT DOCUMENTS

5,587,790 A \* 12/1996 Nagashima ..... G08B 17/107  
250/574  
D422,520 S \* 4/2000 Zabawski ..... D10/106.1  
D425,809 S \* 5/2000 Zabawski ..... D10/106.1  
D426,167 S \* 6/2000 Zabawski ..... D10/106.1  
D428,820 S \* 8/2000 Zabawski ..... D10/106.1  
6,521,907 B1 2/2003 Shoaff et al.  
D541,687 S \* 5/2007 Yorinaga ..... D10/106.1  
D541,688 S \* 5/2007 Yorinaga ..... D10/106.1  
D543,885 S \* 6/2007 Yorinaga ..... D10/106.1

FIG. 1 is a perspective view of an optical block.  
FIG. 2 is a side elevational view of the optical block, the  
opposite side being a mirror image thereof.  
FIG. 3 is a top plan view of the optical block.  
FIG. 4 is a rear end elevational view of the optical block; and,  
FIG. 5 is a front end elevational view of the optical block.  
The bottom of the optical block forms no part of the claimed  
design.

**1 Claim, 2 Drawing Sheets**



(56)

**References Cited**

**OTHER PUBLICATIONS**

U.S. PATENT DOCUMENTS

2013/0119281 A1\* 5/2013 Lang ..... G08B 29/183  
250/564  
2015/0146204 A1\* 5/2015 Shibuya ..... G08B 17/107  
356/338

FOREIGN PATENT DOCUMENTS

JP 2013-168182 8/2013  
WO WO 2013/030918 A1 3/2013

English-language translation of patent publication JP 2013-54455,  
publication date Mar. 21, 2013, patentee New Cosmos Electric Corp.

English-language translation of patent publication JP 2013-168182,  
publication date Aug. 29, 2013, patentee Nohmi Bosai Ltd.

\* cited by examiner

Fig. 1

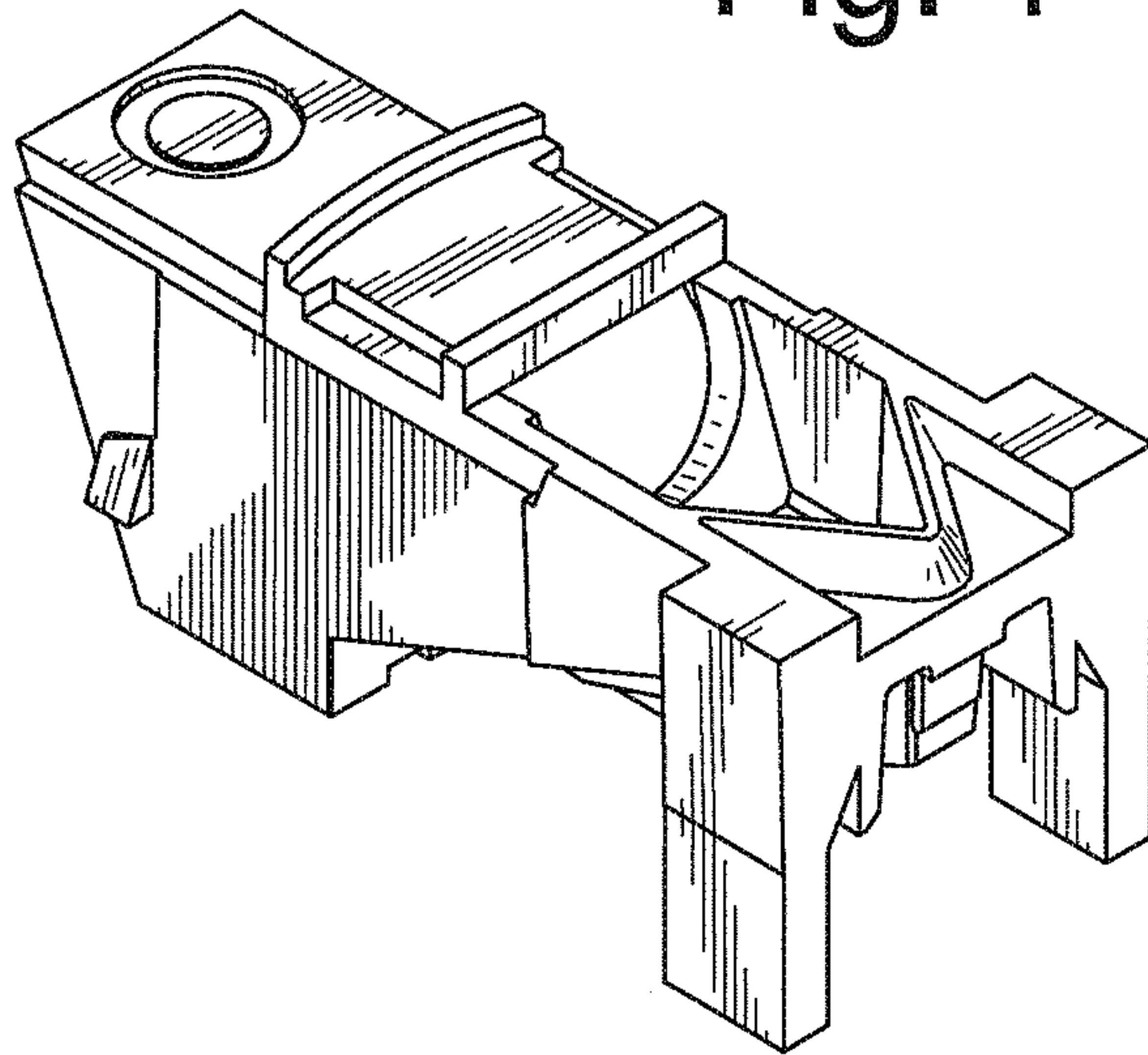


Fig. 2

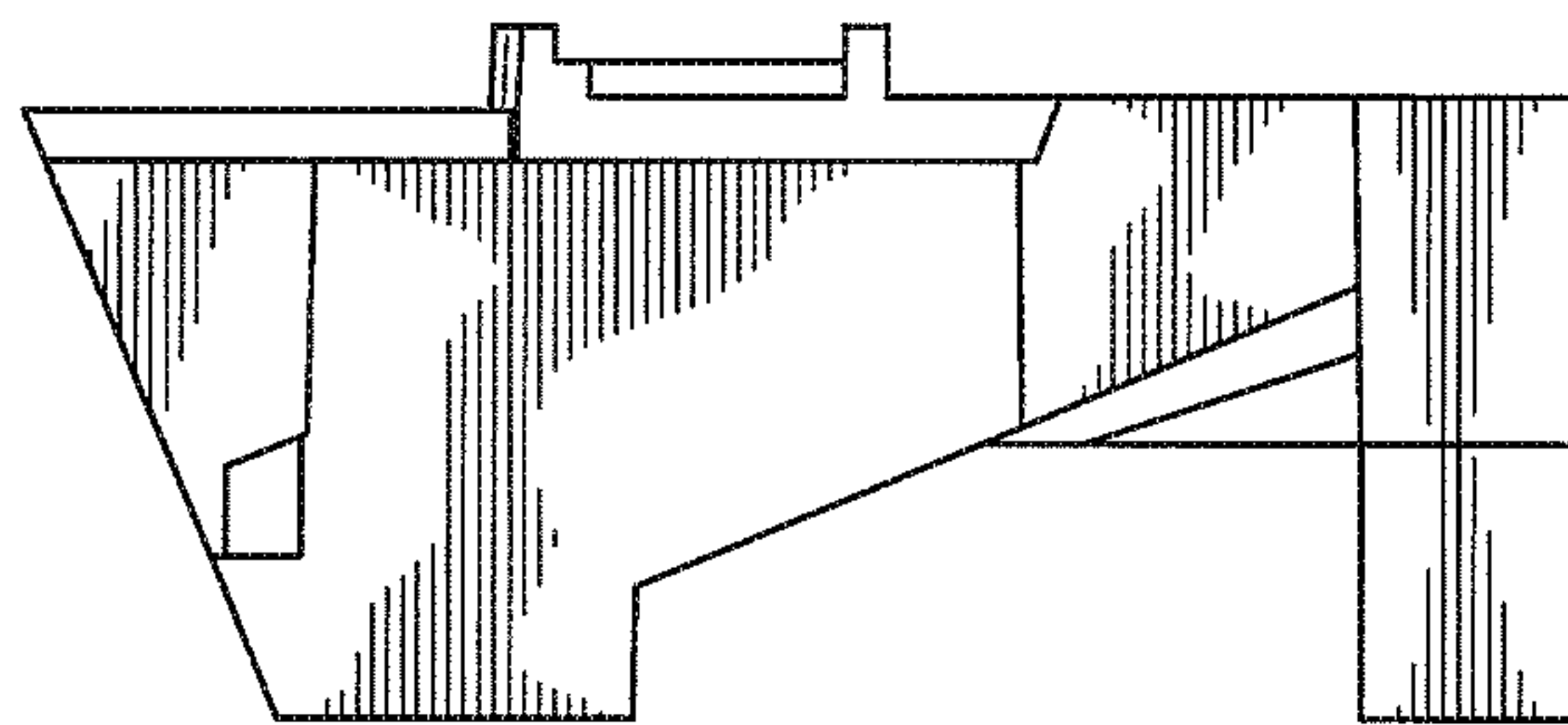


Fig. 3

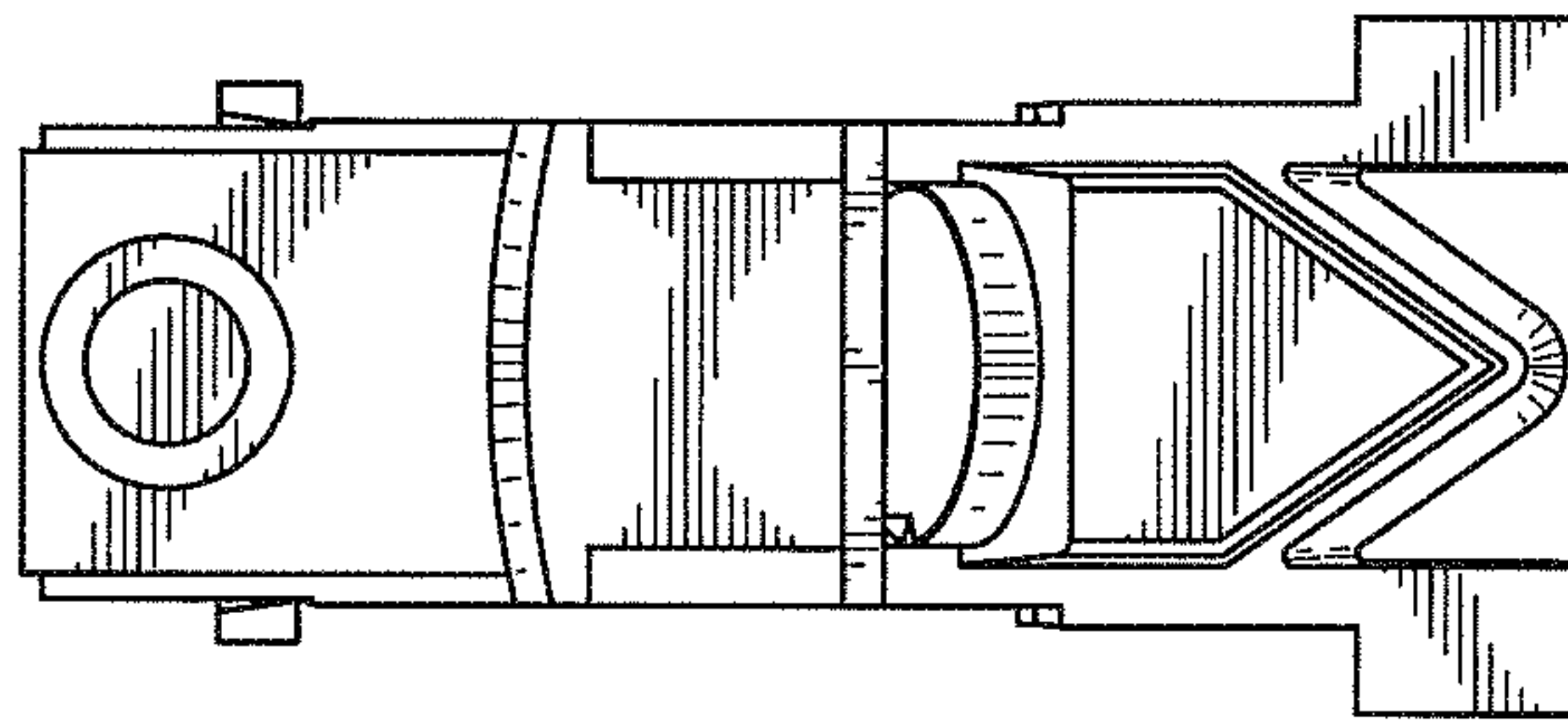


Fig. 4

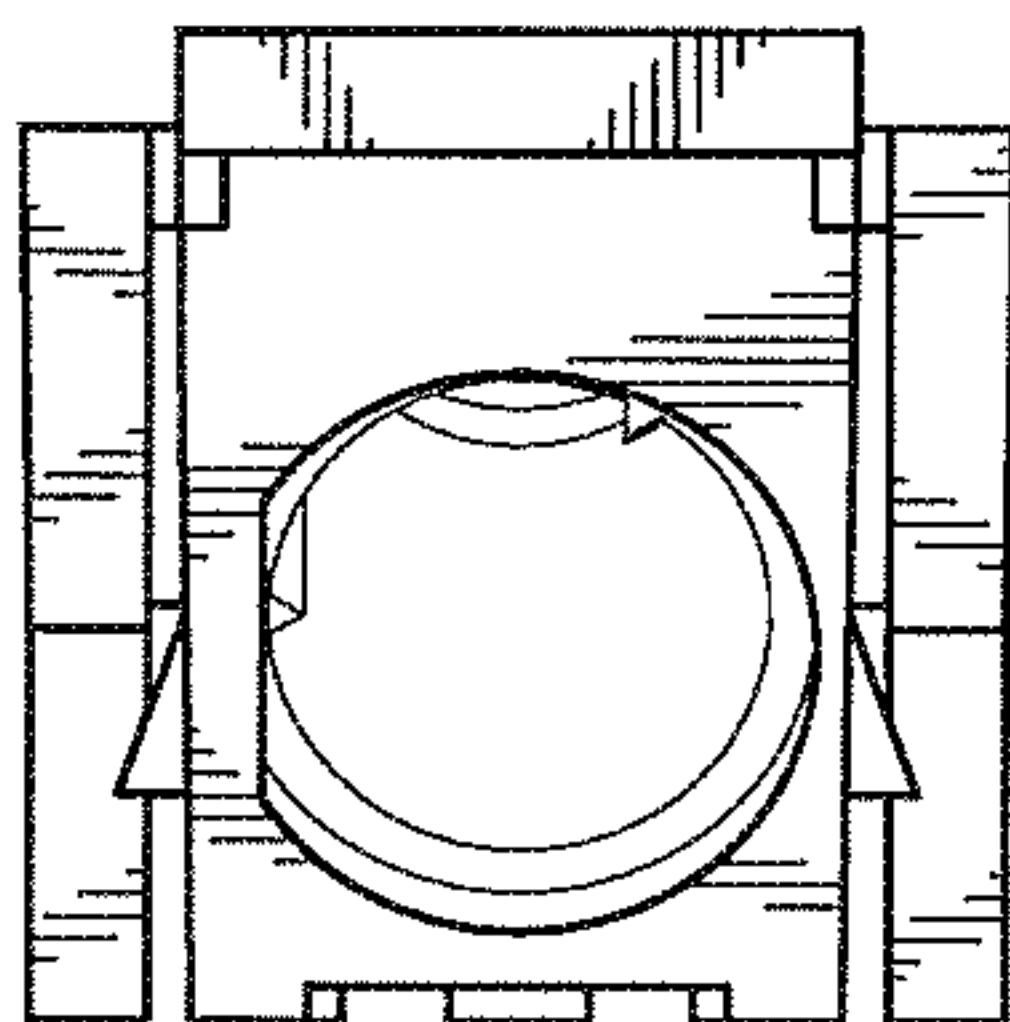


Fig. 5

