

US00D758463S

(12) **United States Design Patent**
Kikuchi et al.

(10) **Patent No.:** **US D758,463 S**
(45) **Date of Patent:** **** *Jun. 7, 2016**

(54) **GEAR CUTTING TOOL**
(71) Applicant: **mitsubishi heavy industries machine tool co., ltd.**,
Ritto-shi, Shiga (JP)

(72) Inventors: **Toshimasa Kikuchi**, Tokyo (JP); **Yozo Nakamura**, Tokyo (JP)

(73) Assignee: **mitsubishi heavy industries machine tool co., ltd.**, Shiga (JP)

(*) Notice: This patent is subject to a terminal disclaimer.

(**) Term: **14 Years**

(21) Appl. No.: **29/509,635**

(22) Filed: **Nov. 19, 2014**

(30) **Foreign Application Priority Data**

May 30, 2014 (JP) 2014-011586

(51) **LOC (10) Cl.** **15-09**

(52) **U.S. Cl.**
USPC **D15/139**

(58) **Field of Classification Search**
USPC D15/131, 138, 139, 140
See application file for complete search history.

(56) **References Cited**

U.S. PATENT DOCUMENTS

1,996,987	A *	4/1935	Wildhaber	B23F 21/16
					407/26
2,126,178	A *	8/1938	Drummond	B23F 21/28
					407/27
2,380,208	A *	7/1945	Ashton	B23F 19/06
					409/33
D359,968	S *	7/1995	Ekblad	D15/139

D372,253	S *	7/1996	Huffstutler	D15/139
D400,547	S *	11/1998	Albrektsson	D15/139
D404,044	S *	1/1999	Arfele	D15/139
D519,533	S *	4/2006	Frey	D15/139
D522,544	S *	6/2006	Frey	D15/139
D525,995	S *	8/2006	Bjork	D15/139
D535,400	S *	1/2007	May	D15/139
D536,095	S *	1/2007	May	D15/139
D574,957	S *	8/2008	Petersen	D15/139
D606,569	S *	12/2009	Ford	D15/138
D630,233	S *	1/2011	Ford	D15/123

(Continued)

Primary Examiner — Patricia Palasik

(74) *Attorney, Agent, or Firm* — Birch, Stewart, Kolasch & Birch, LLP

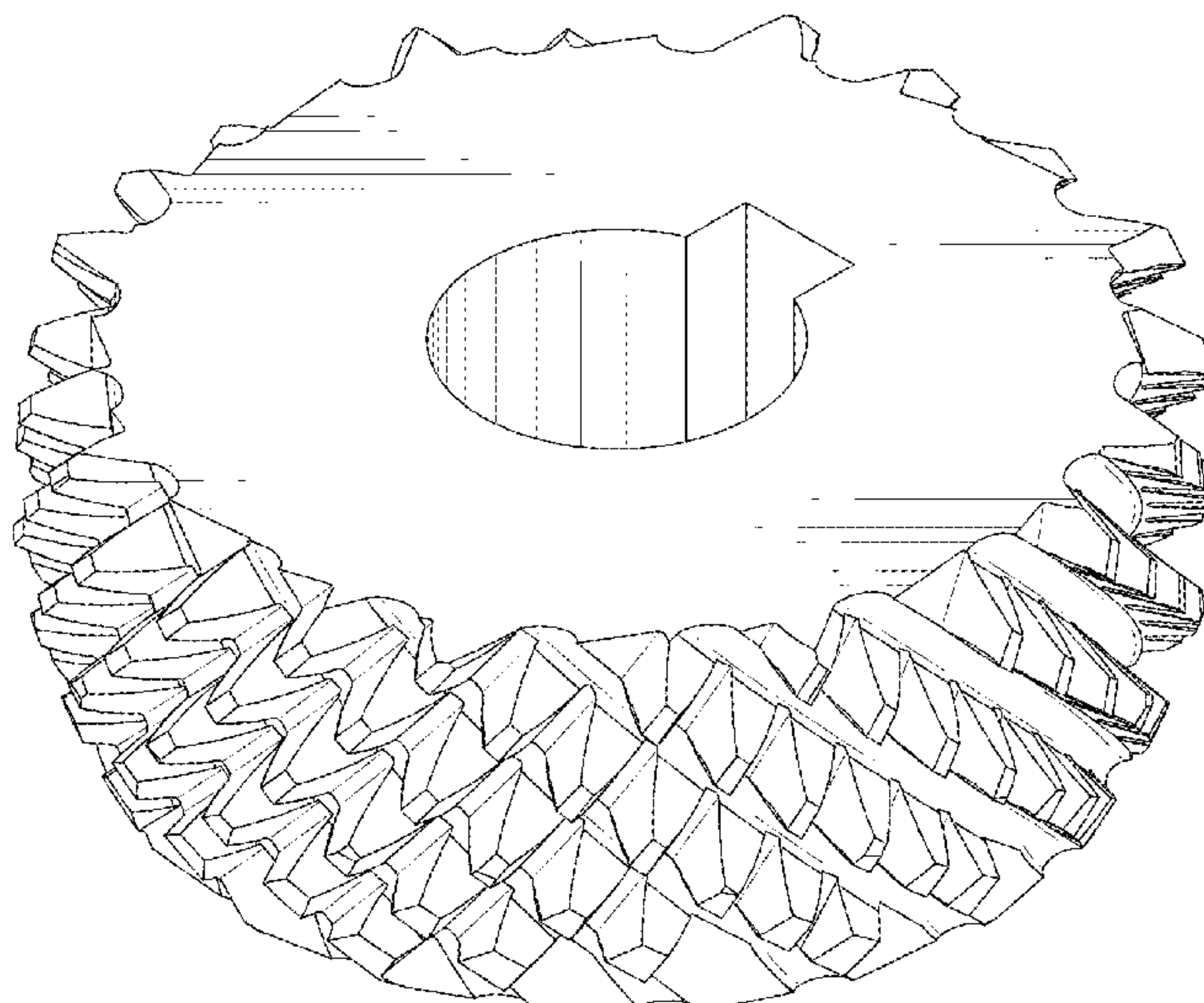
(57) **CLAIM**

The ornamental design for a gear cutting tool, as shown and described.

DESCRIPTION

FIG. 1 is a perspective view of a gear cutting tool.
 FIG. 2 is a front elevation view thereof. A rear elevation view, a left side elevation view and a right side elevation view appear identical with the front elevation view.
 FIG. 3 is a top plan view thereof.
 FIG. 4 is a bottom plan view thereof.
 FIG. 5 is a referential front elevation view thereof indicating an enlarged part.
 FIG. 6 is a referential top plan view thereof indicating an enlarged part.
 FIG. 7 is a referential bottom plan view thereof indicating an enlarged part.
 FIG. 8 is an enlarged view of the portion 8 in FIG. 5.
 FIG. 9 is an enlarged view of the portion 9 in FIG. 6.
 FIG. 10 is an enlarged view of the portion 10 in FIG. 7; and, FIG. 11 is a referential view showing use thereof.
 The broken lines shown in FIG. 11 are for the purpose of showing environmental structure only and form no part of the claimed design.

1 Claim, 11 Drawing Sheets



US D758,463 S

Page 2

(56)

References Cited

U.S. PATENT DOCUMENTS

D649,989 S * 12/2011 Dunlap D15/139
2002/0081161 A1 * 6/2002 Yamada B23F 21/16
407/20
2006/0134466 A1 * 6/2006 Aoki B23F 21/16
428/698

2013/0091970 A1* 4/2013 O-oka F16J 55/08
74/458
2014/0100574 A1* 4/2014 Bono A61B 17/32002
606/80
2014/0140781 A1* 5/2014 Sjo B23F 21/146
408/8
2015/0147127 A1* 5/2015 Shpigelman B23C 5/10
407/54

* cited by examiner

FIG. 1

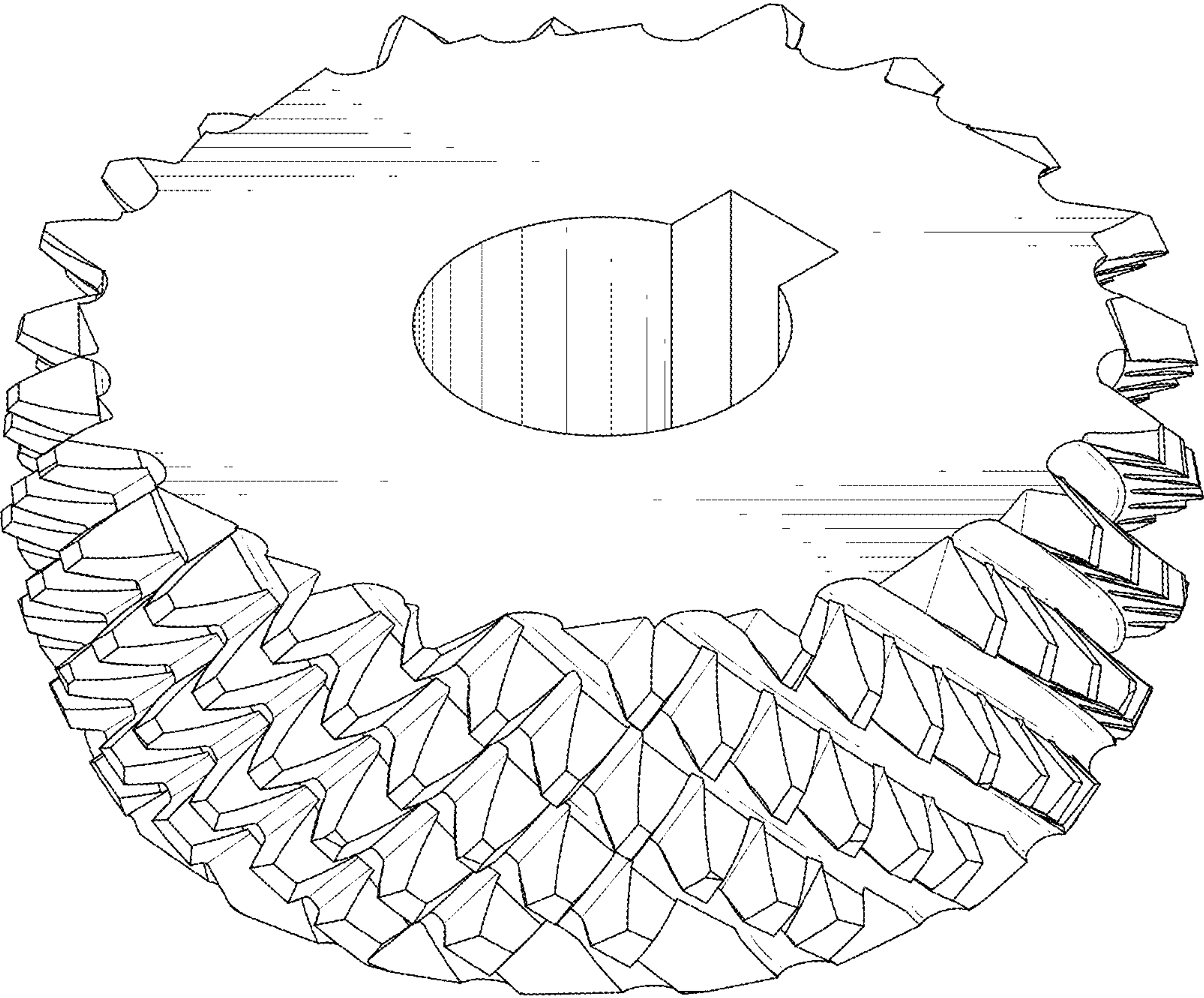


FIG. 2

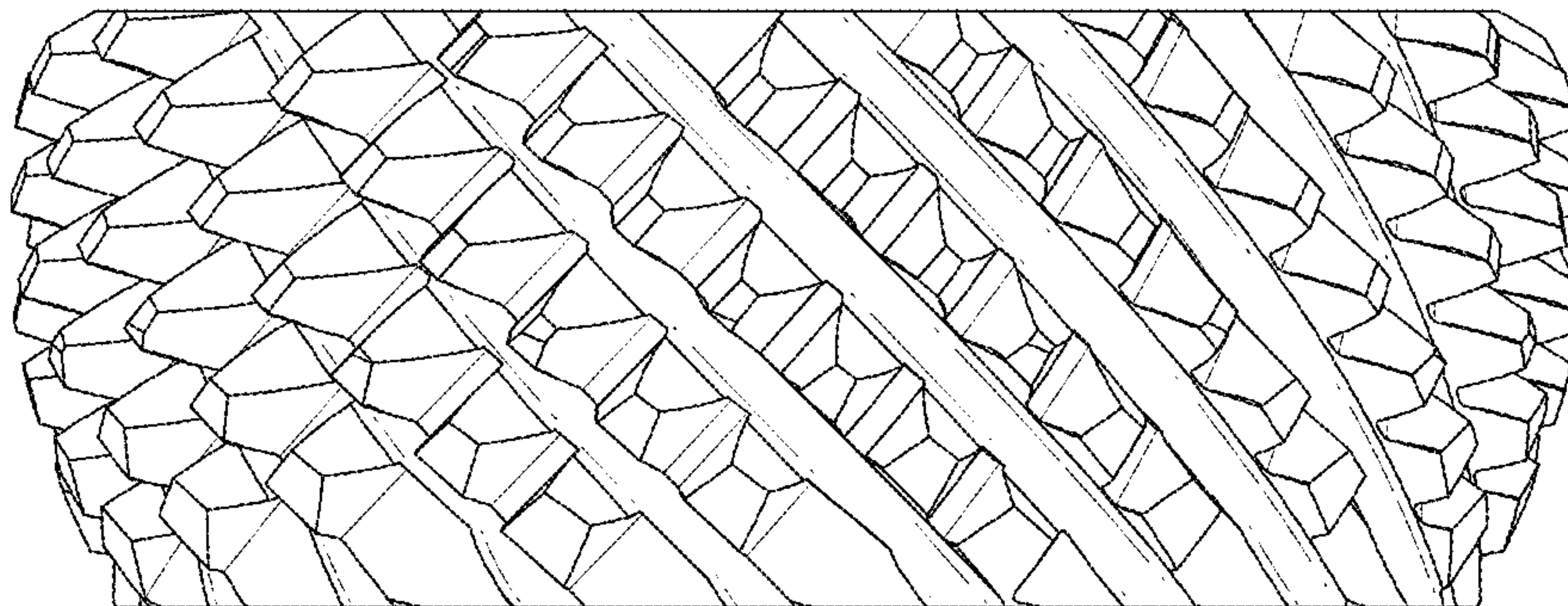


FIG. 3

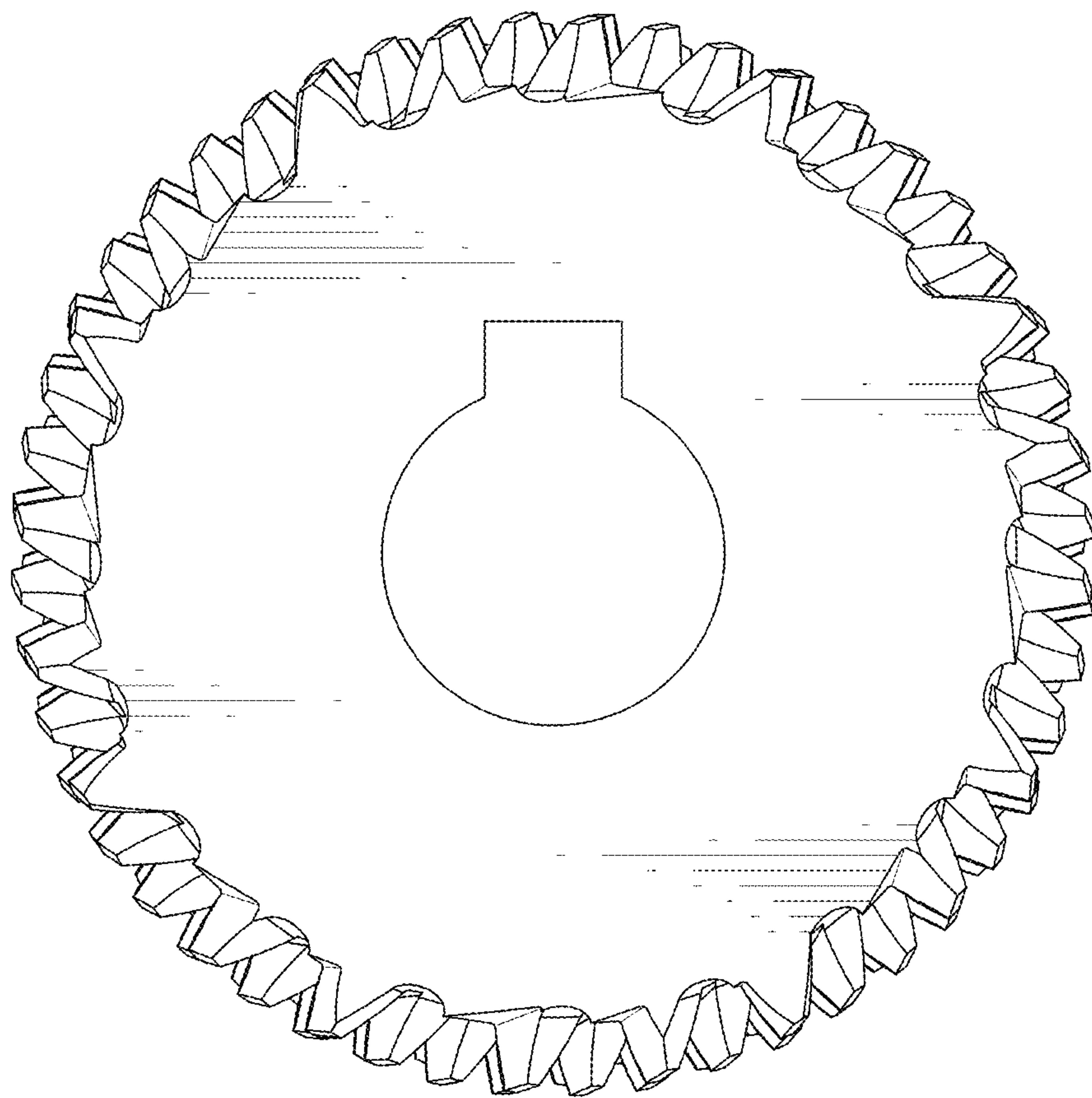


FIG. 4

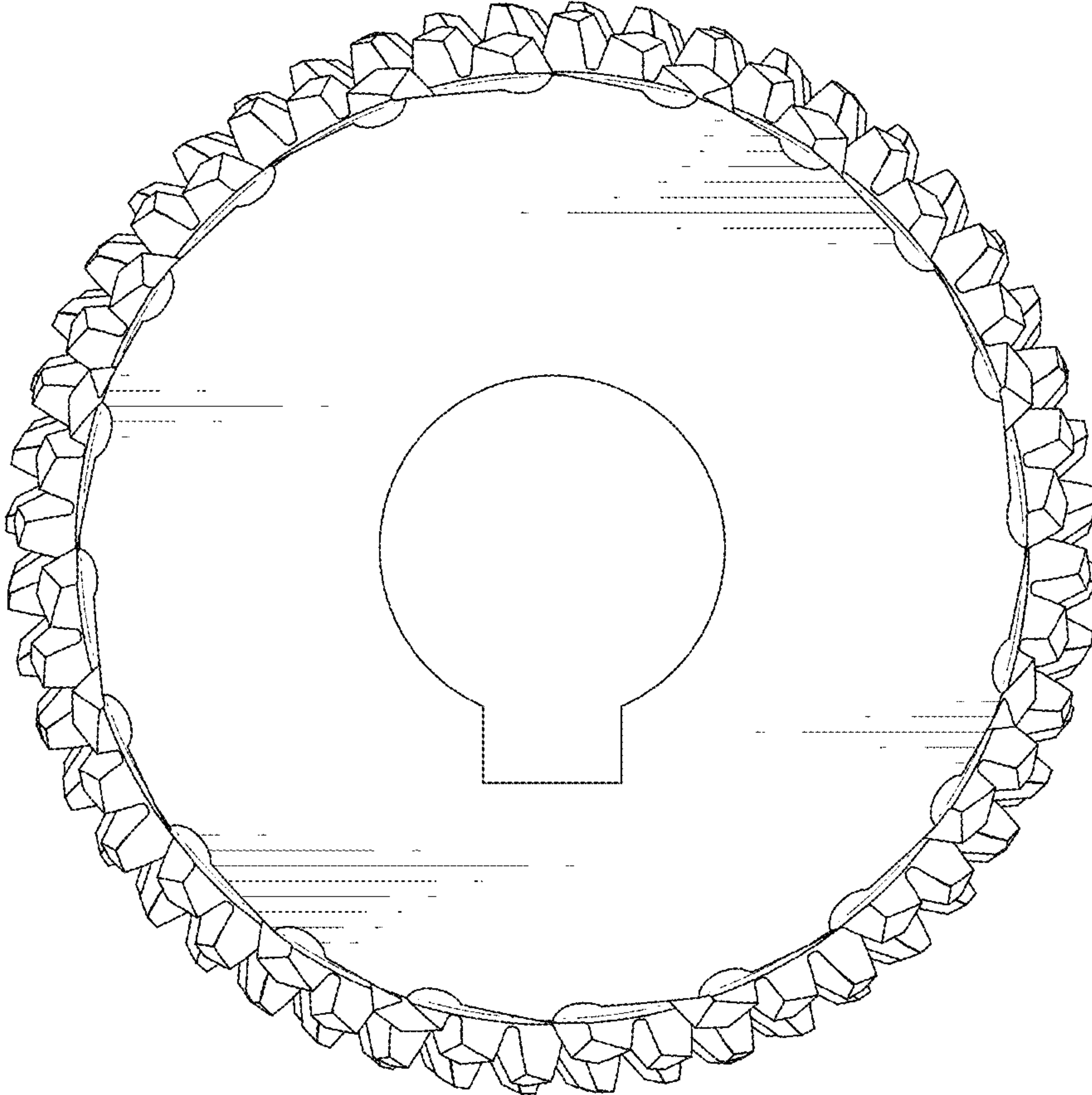


FIG. 5

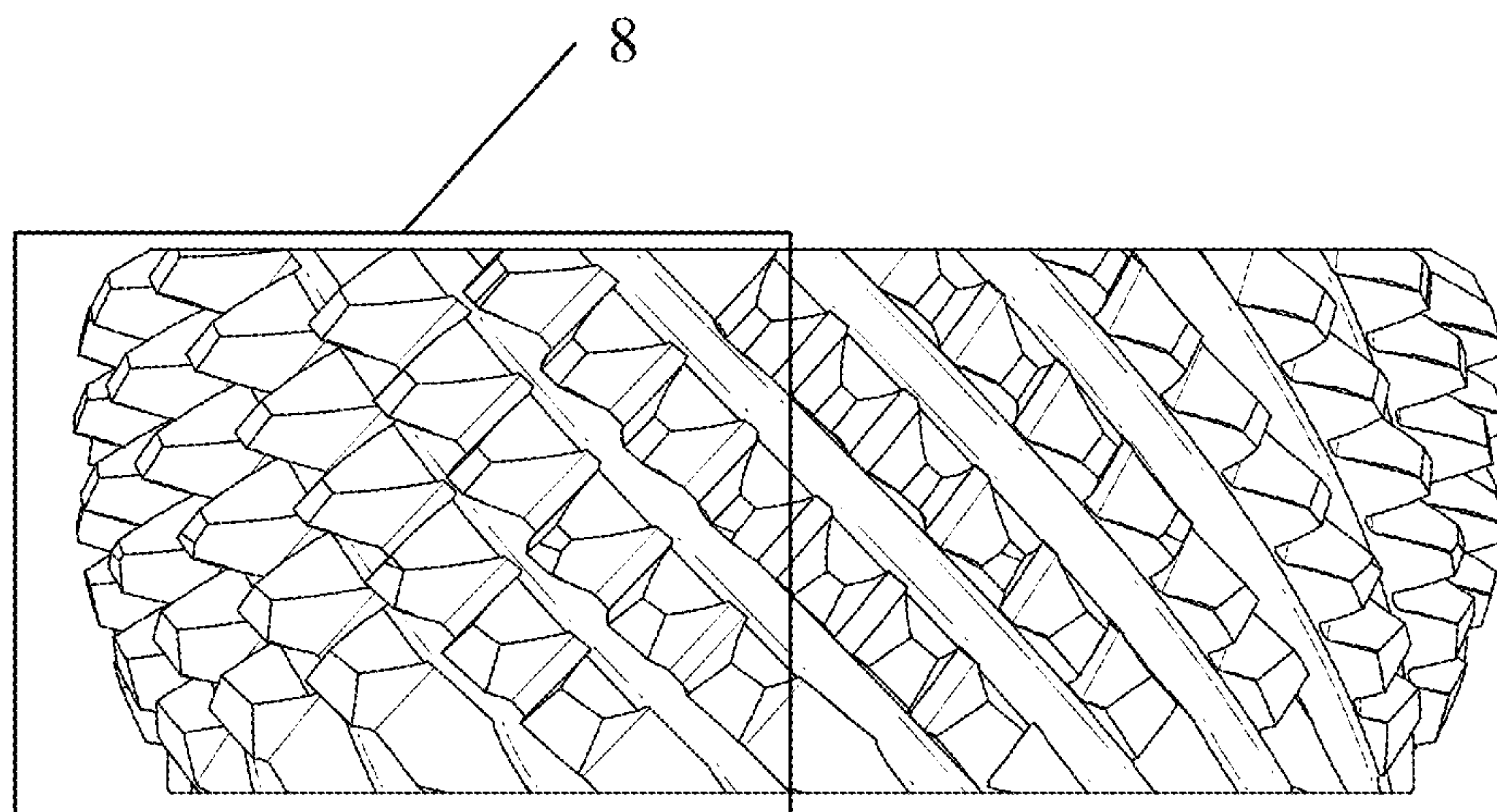


FIG. 6

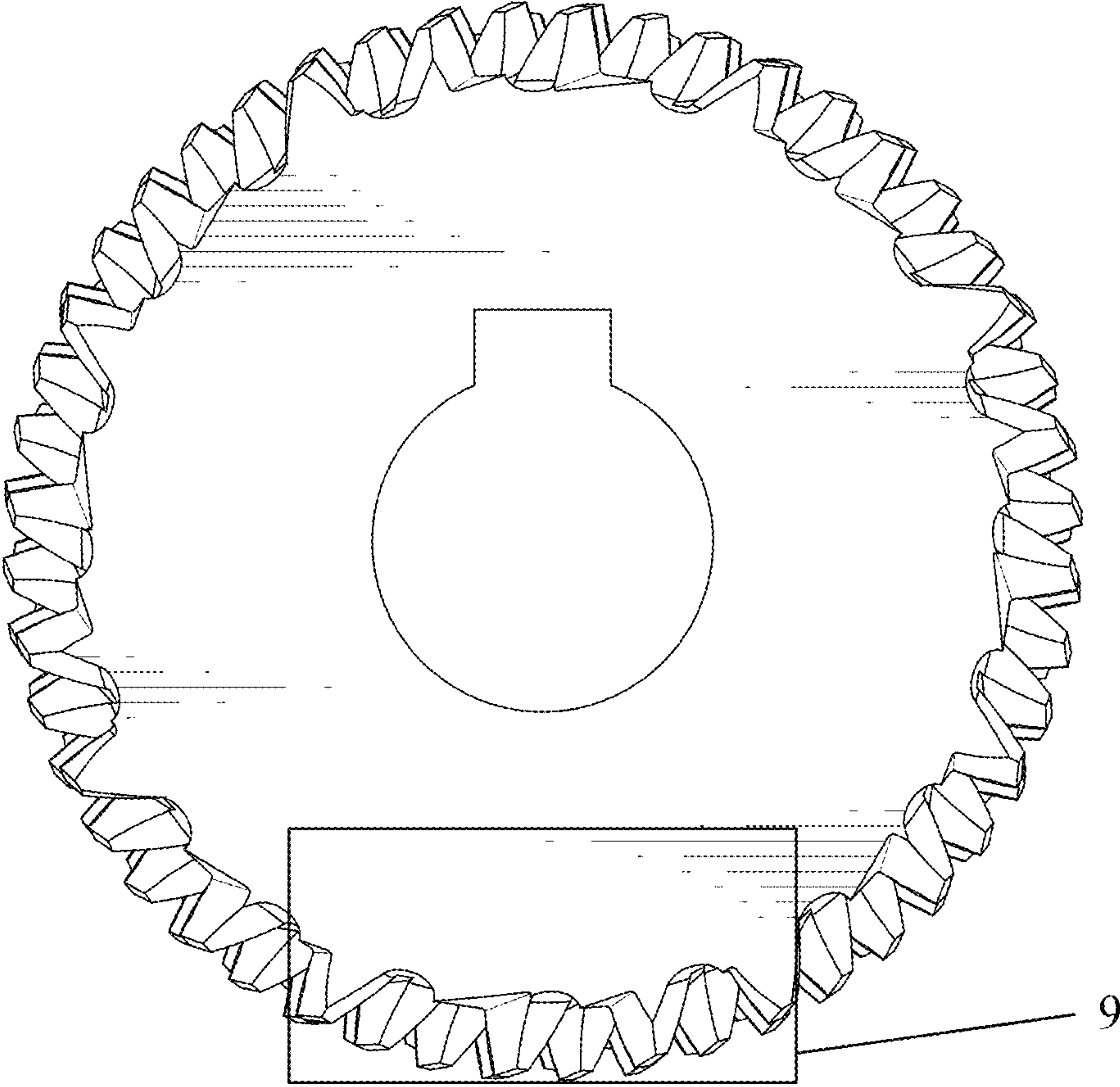


FIG. 7

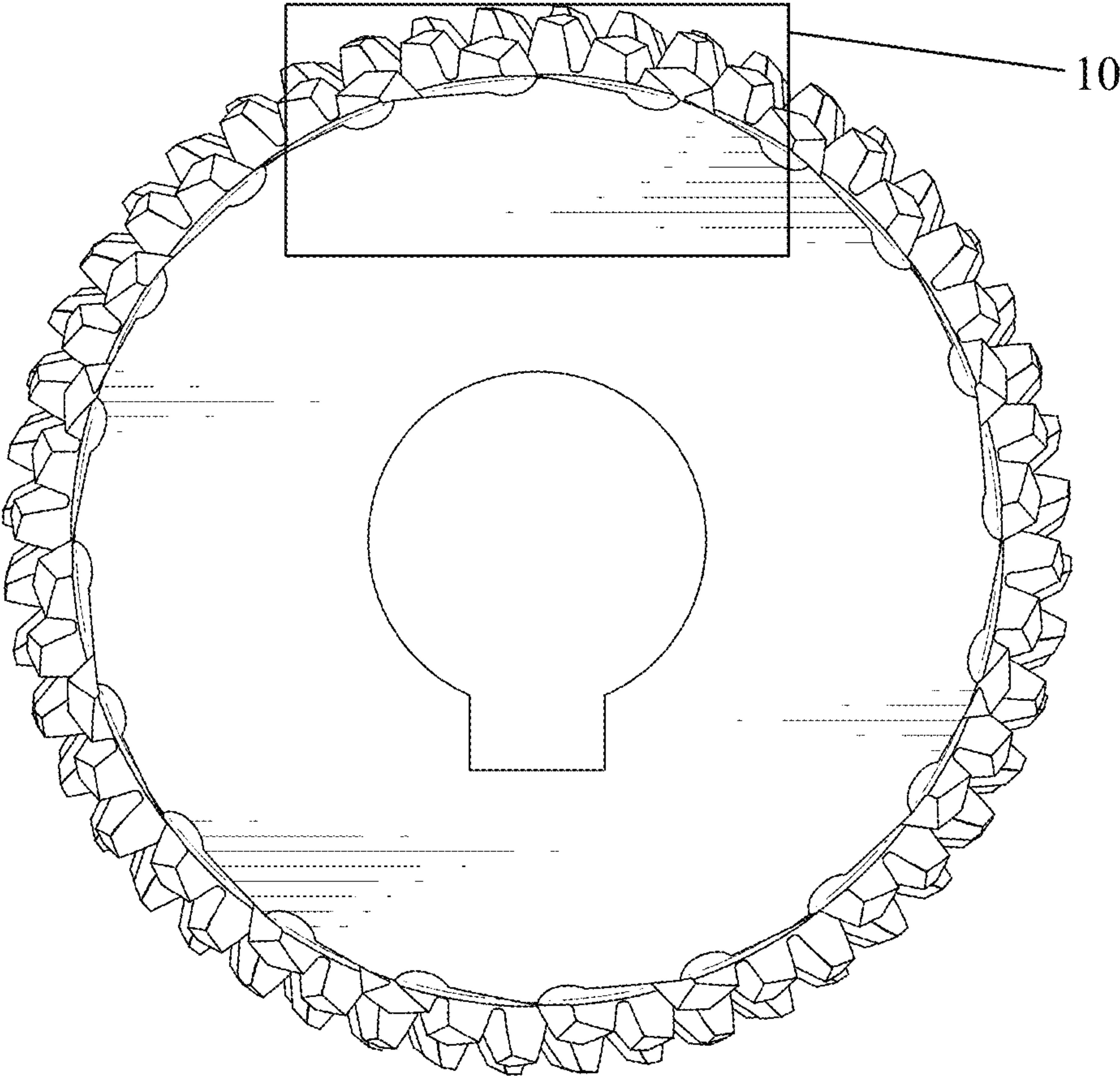


FIG. 8

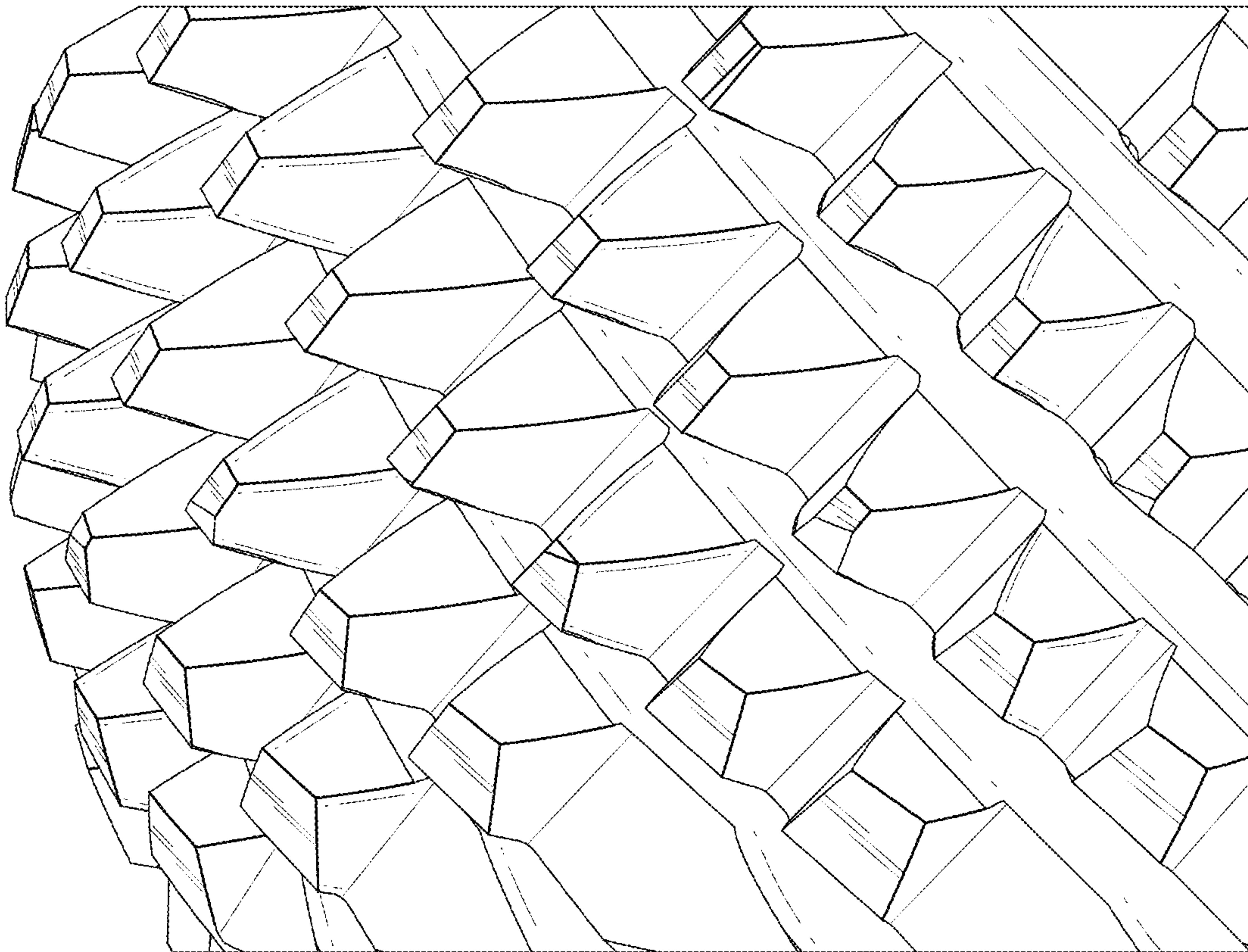


FIG. 9

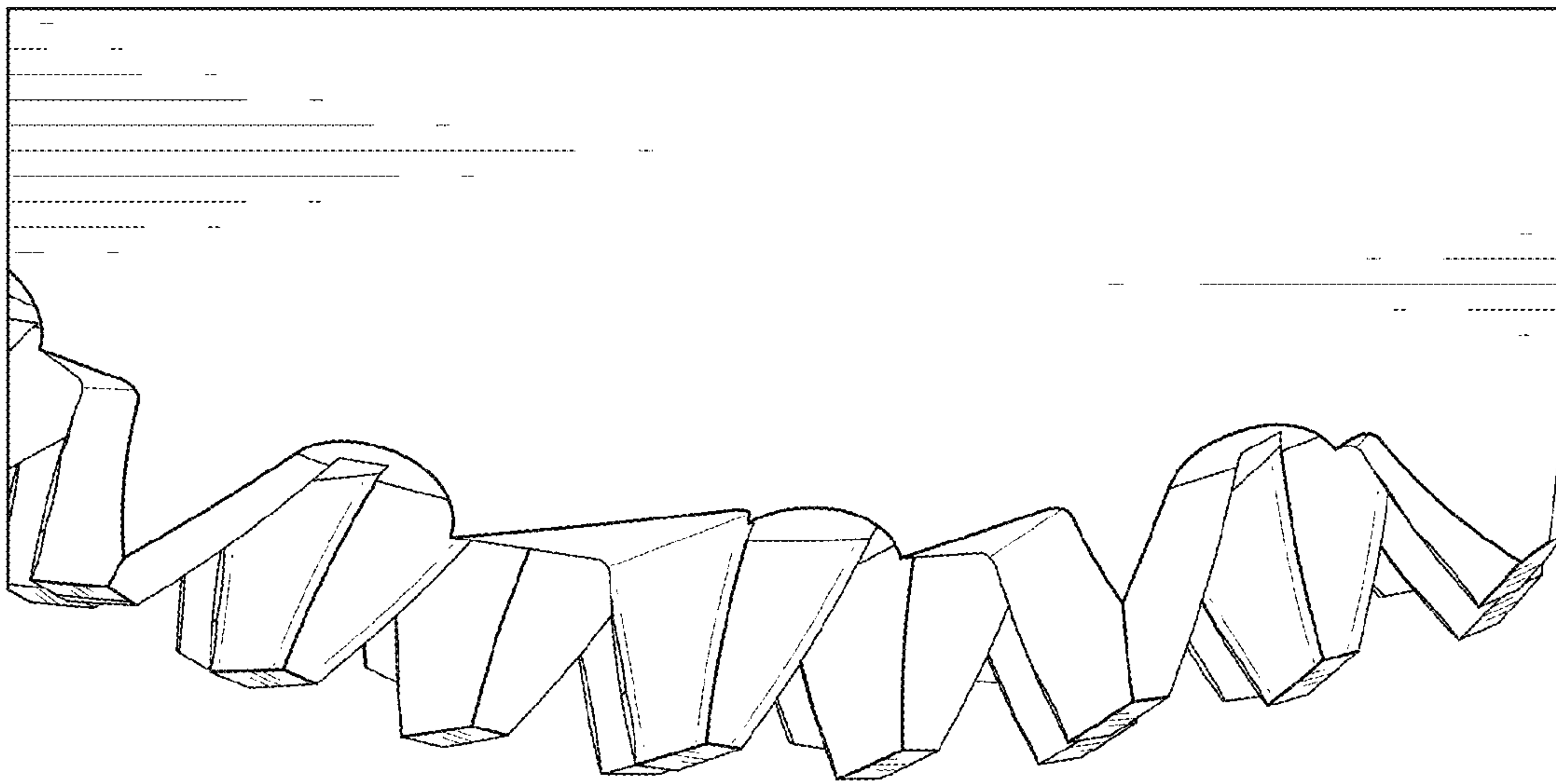


FIG. 10

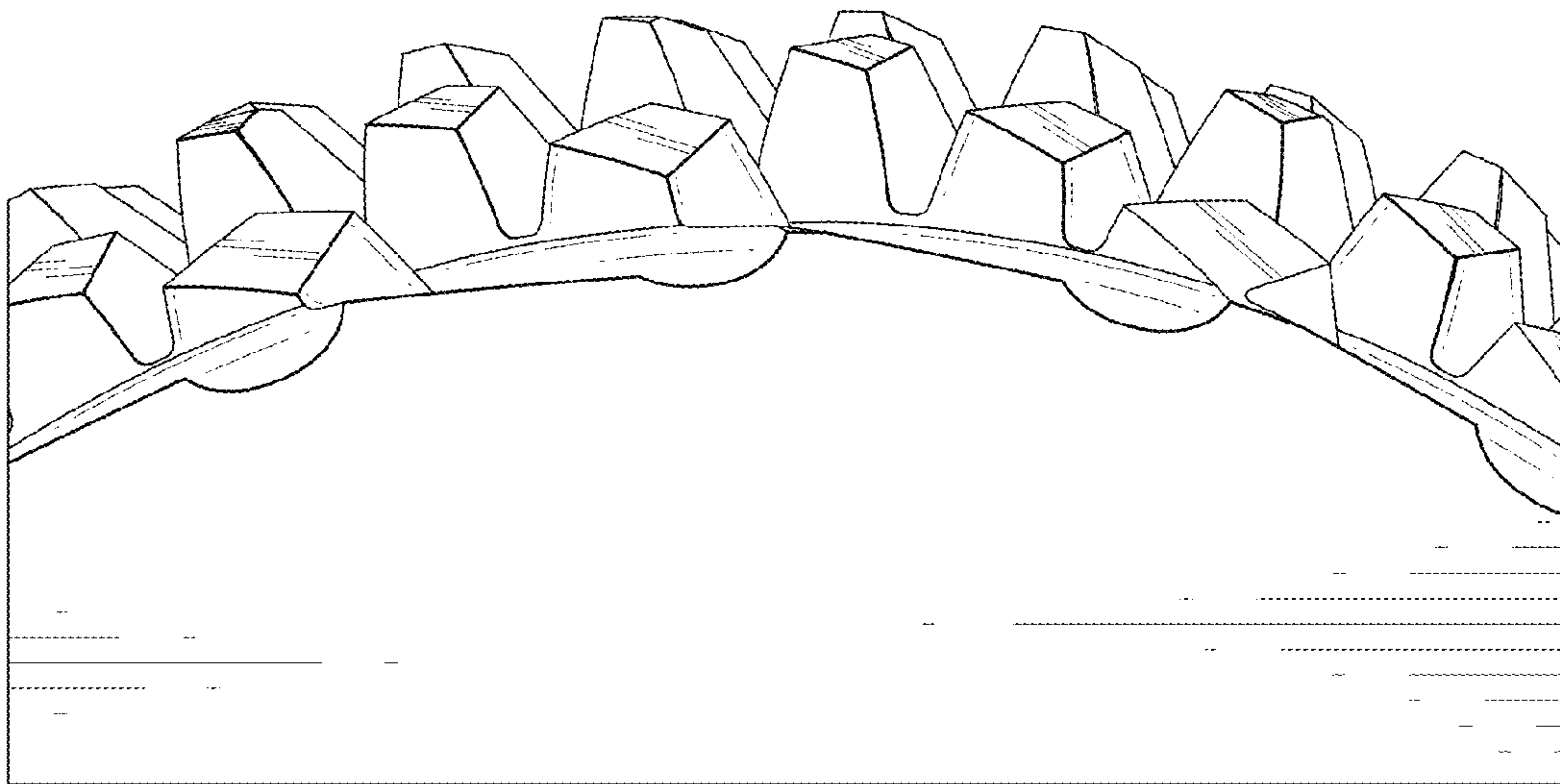


FIG. 11

